

TS-1080R

10.1 in. Tabletop Touch Screen, Crestron Home® OS Version



- Next generation Crestron touch screen featuring a native Crestron Home® OS application
- 10.1 in. (257 mm) widescreen active-matrix color display and 1920x1200 WUXGA display resolution
- Capacitive touch screen display
- Built-in Rava® SIP intercom
- Built-in speakers and microphone
- H.265, H.264, or MJPEG streaming video display
- Single wire Ethernet connection with PoE or PoE+ power
- Wi-Fi® network connectivity
- Enterprise grade security and authentication
- Web or device-based configuration
- Available in white or black finish

The Crestron [TS-1080R](#) touch screen is ideal for residential applications and is designed to run Crestron Home® OS. The TS-1080R features a 10.1 in. (257 mm) capacitive touch screen display. PoE and Wi-Fi® network connectivity and a comprehensive assortment of mounting accessories simplify new and retrofit installations.

Crestron Home OS Control

The TS-1080R is used to control a Crestron Home® OS whole home solution. Select the Crestron Home app from the touch screen to control lighting, shades, climate, media, security, and cameras, including the ability to create and recall scenes that create a desired ambiance throughout a home. A TS-1080R may be installed in each room to provide easy access to various Crestron Home functions for both the room and the home.

Advanced Touch Screen Control

The TS-1080R offers a sleek and powerful user interface for controlling technology in a home via the Crestron Home app. The touch screen provides an intuitive interface with easy-to-use capacitive controls, true feedback, and real-time status display. Automatic brightness controls ensure optimal visibility under varying lighting conditions.

Streaming Video

Native support for H.265, H.264, and MJPEG formats allows the TS-1080R to display live streaming video from an IP camera or streaming encoder (Crestron [DM-TXRX-100-STR](#), or similar). Video is delivered to the touch screen over Ethernet, eliminating the need for extra video wiring.

Rava SIP Intercom

Rava® SIP Intercom Technology enables hands free VoIP communication with other Rava enabled touch screens and door stations. Rava works over Ethernet, supporting 2-way intercom and paging without requiring any special wiring. VoIP phone capability is also possible through integration with a SIP compatible IP phone system or SIP server, allowing hands free telephone functionality complete with speed-dialing, caller ID, custom ringers, and other enhancements. The far-field microphone picks up voice communication even when the user is not directly next to the touchscreen. Built in echo cancellation affords full duplex performance for clear, seamless voice communication using the integrated microphone and speakers.² A dedicated mute button keeps conversations private and includes an indicator for added confidence.

Wired and Wi-Fi Connectivity

An Ethernet LAN connection is all that is required to install the TS-1080R, containing all control, video, intercom, and power signals within a single wire.

For deployments without access to Ethernet, the touch screen can also be connected to the network over Wi-Fi communications via a local wireless access point (WAP).

Power over Ethernet

Using PoE technology, the TS-1080R gets its operating power directly through the network cable. PoE (Power over Ethernet) eliminates the need for a local power supply or any dedicated power wiring. Crestron PoE switches offer a total networking solution with built in PoE for multiple touch screens. Refer to the full list of supported PoE switches [here](#).

NOTE: Refer to the Power specifications for more details.

Enterprise-Grade Security

Crestron touch screens employ enterprise-grade networking with robust security features such as 802.1X authentication, MDEP, TLS encryption, HTTPS connectivity, and Active Directory® service integration.

TS-1080R

10.1 in. Tabletop Touch Screen, Crestron Home® OS Version

Specifications

Touch Screen Display

Display Type	TFT active matrix color LCD
Size	10.1 in. (257 mm) diagonal
Aspect Ratio	16:10 WXGA
Resolution	1920 x 1200 pixels
Brightness	Minimum: 350 nits (cd/m ²) Maximum: 400 nits (cd/m ²)
Contrast	1000:1
Color Depth	24 bit, 16.7M colors
Illumination	Edgelit LED with auto brightness control
Viewing Angle	±80° horizontal, ±80° vertical
Touch Screen	Projected capacitive, 5 point multitouch capable

Buttons

Virtual Buttons	(6) Virtual buttons in collapsible universal tool bar, per button show/hide, preconfigured with icons for Power, Home, Lights, Up, Down, and Microphone
Reset	(1) Pin hole on bottom for hardware reset

Graphics Engine

Dual scalable streaming video window native Crestron Home® OS app, touch screen setup and diagnostics via web browser, cloud, or onscreen UI, Crestron Home setup and diagnostics via Crestron Home Setup app

Languages

Onscreen Keyboard	Arabic, Chinese (Simplified), Croatian, Czech, Danish, Dutch, English (UK), English (US), Finnish, French (Canada), French (Switzerland), German, Hebrew, Hungarian, Italian, Japanese, Norwegian Bokmal, Polish, Portuguese, Russian, Serbian, Spanish, Swedish, Turkish
--------------------------	---

Memory

RAM	8GB LPDDR4
Storage	40GB eMMC pSLC
Maximum Project Size	1000 MB

Wired Communications

Ethernet	1000Mbps, autoswitching, autonegotiating, autodiscovery, full/half duplex, TCP/IP, UDP/IP, CIP, DHCP, SSL, TLS, SSH, SFTP (SSH File Transfer Protocol), IEEE 802.1X, SNMP, IPv4 or IPv6, Active Directory® service authentication, HTTPS web browser setup, IEEE 802.3 at compliant
-----------------	---

USB	USB 2.0 host
------------	--------------

Wireless Communications

Transceiver	IEEE 802.11a/b/g/n/ac/ax Wi-Fi 6E (2.4, 5 GHz and 6GHz) 2x2 MIMO, static IP or dynamic IP via DHCP
Security	64 and 128-bit WEP, WPA, WPA2, WPA3, WPA Enterprise and WPA2 Enterprise
Range	Up to 50 ft (15 m), subject to site-specific conditions
Bluetooth® Hardware	BLE, BT5.2, 33 ft (10 m) typical range

Streaming Decoder

Video Formats	H.265, H.264 (MPEG-4 part 10 AVC, MJPEG)
Audio Formats	AAC Stereo
Bitrates	Up to 25 Mbps (20 Mbps maximum recommended)
Input Resolutions	Up to 3840x2160@30fps
Protocol	RTSP

Audio

Features	Built-in microphone ² and speakers, Rava® SIP Intercom
-----------------	---

Connectors

LAN PoE	(1) 8-pin RJ-45 connector, female, with 2 LED indicators; 1000BASE-TX Ethernet port; PoE+ PD port; Green and yellow LEDs indicate Ethernet port status
USB	(1) USB Type C connector, female; USB 2.0 host port; USB 3.1 DisplayPort Alt Mode (coming soon)

Power

PoE (Power over Ethernet)	IEEE 802.3at Type 2 compliant PoE+ PD (Powered Device); Requests 30 W (PoE+ Class 4) from an 802.3at Type 2 PSE without LLDP; Requests 15.4 W (PoE Class 0) from an 802.3af (or 802.3at Type 1)
----------------------------------	---

NOTE: Enabling the USB port requires use of an 802.3 at Type 2 PoE+ PSE.

Environmental

Temperature	32 to 104°F (0 to 40°C)
Humidity	10% to 95% RH (noncondensing)
Heat Dissipation	44 BTU/hr

TS-1080R

10.1 in. Tabletop Touch Screen, Crestron Home® OS Version

Construction

Housing Die-cast housing, smooth black or white finish, glass with black or white surround

Dimensions

Height 5.96 in. (151 mm)

Width 9.68 in. (246 mm)

Depth 4.53 in. (115 mm)

Weight

2.23 lb (464 g)

Compliance

Regulatory Model: M202404006

FCC Part 15 Class B, IC Class B, CE, UL® Listed for US and Canada/Intertek®

Models

TS-1080R-B

10.1 in. Tabletop Touch Screen, Crestron Home® OS Version, Black

TS-1080R-W

10.1 in. Tabletop Touch Screen, Crestron Home® OS Version, White

Available Accessories

For supported accessories, visit the TS-1080R product page at www.crestron.com.

Notes:

1. Certain other functions require an Internet connection.
2. The microphone may be defeated programmatically at any time.
3. Item(s) sold separately. Refer to each product's spec sheet for complete information.

This product may be purchased from select authorized Crestron dealers and distributors. To find a dealer or distributor, please contact the Crestron sales representative for your area. A list of sales representatives is available online at www.crestron.com/How-To-Buy/Find-a-Representative or contact us for additional information by visiting www.crestron.com/contact/our-locations for your local contact.

The original language version of this document is U.S. English. All other languages are a translation of the original document.

The product warranty can be found at www.crestron.com/warranty.

The specific patents that cover Crestron products are listed online at www.crestron.com/legal/patents.

Certain Crestron products contain open source software. For specific information, please visit www.crestron.com/opensource.

Crestron, the Crestron logo, Cresnet, Crestron Fusion, Crestron Home, Crestron One, DigitalMedia, Smart Graphics, Sonnex, and XiO Cloud are either trademarks or registered trademarks of Crestron Electronics, Inc. in the United

States and/or other countries. Ad Astra is either a trademark or a registered trademark of Ad Astra Information Systems, LLC in the United States and/or other countries. Bluetooth is either a trademark or registered trademark of Bluetooth SIG, Inc. in the United States and/or other countries. CollegeNET and 25Live are either trademarks or registered trademarks of CollegeNET, Inc. in the United States and/or other countries. G Suite and Google Calendar are either trademarks or registered trademarks of Google, Inc. in the United States and/or other countries. IBM and Notes are either trademarks or registered trademarks of International Business Machines Corporation in the United States and/or other countries. Microsoft, Active Directory, Azure, Microsoft Exchange Server, Microsoft 365, and Outlook are either trademarks or registered trademarks of Microsoft Corporation in the United States and/or other countries. Apple, Apple Music, Apple TV, and Macintosh are either trademarks or registered trademarks of Apple, Inc. in the United States and/or other countries. UL is either a trademark or a registered trademark of Underwriters Laboratories, Inc. in the United States and/or other countries. Wi-Fi is either a trademark or registered trademark of Wi-Fi Alliance in the United States and/or other countries. Other trademarks, registered trademarks, and trade names may be used in this document to refer to either the entities claiming the marks and names or their products. Crestron disclaims any proprietary interest in the marks and names of others. Crestron is not responsible for errors in typography or photography.

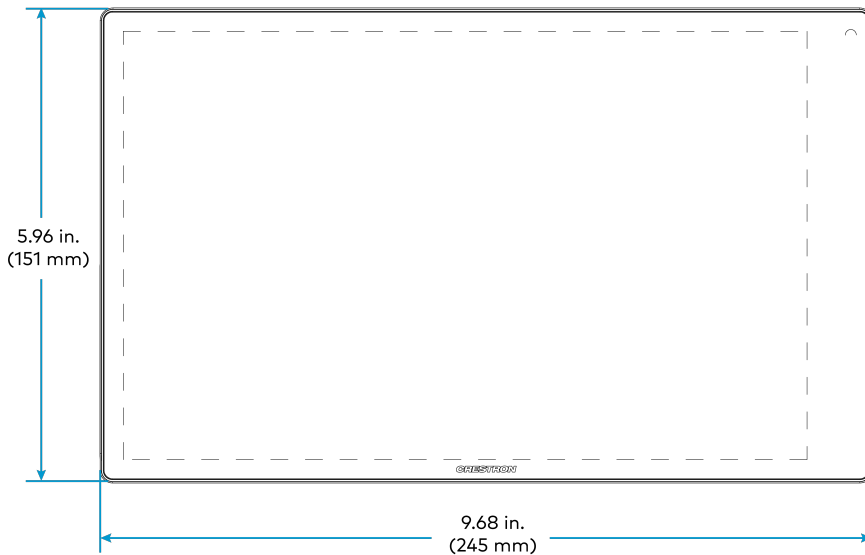
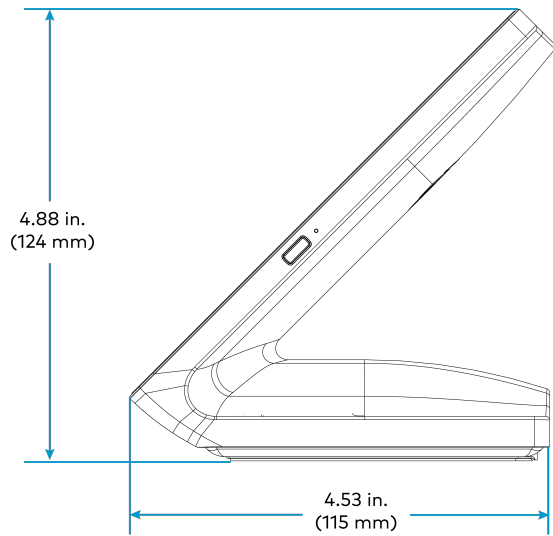
Specifications are subject to change without notice.

©2026 Crestron Electronics, Inc.

Rev 01/16/26

TS-1080R

10.1 in. Tabletop Touch Screen, Crestron Home® OS Version



TS-1080R

10.1 in. Tabletop Touch Screen, Crestron Home® OS Version

