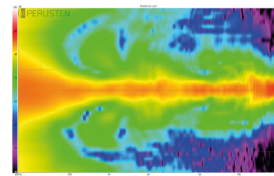
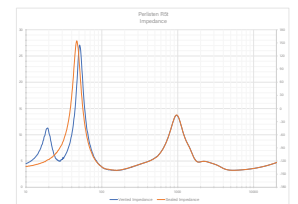


Horizontal Directivity



Vertical Directivity



Impedance

MODEL R5t



TECHNICAL SPECIFICATIONS



Designed as a stand alone 2ch high fidelity speaker with the versatility to be used as part of multi-channel systems. Sharing "trickle-down" technology from our flagship S-Series, the DPC-Array here based on three 26mm domes, guarantees excellent directivity control and timbre matching with all R-Series speakers. The Silk diaphragms developed ground up, chosen specifically their smooth, effortless representation of midrange and treble. The 165mm woofers are made from our proprietary HPF pulp, two years in development, bringing new technology to one of the oldest materials used in loudspeaker design. These woofers can be aligned as bass reflex or acoustic suspension depending on specific tastes. Rich, dynamic bass matched with advanced mid/treble directivity pattern control and silky highs offer best in class performance.

BASIC

Dimensions (HxWxD)
1100 x 230 x 350mm
43.3 x 9.0 x 13.7"

Weight
26.5 kg (58.3 lbs.)

Available finishes
High Gloss Black

TECHNICAL

Enclosure Alignment

3-way bass reflex / acoustic suspension

Driver complement

DPC-Array: 26mm(3) Silk dome
Woofers: 165mm(2) HPF diaphragms

Sensitivity

89.0dB / 2.83v / 1.0m

Impedance

4Ω nominal / 3.2Ω min

Response Linearity

80 - 20kHz +/-1.5dB window

Frequency Response (-10dB)

Bass reflex: 24 - 32kHz
Acoustic suspension: 38 - 32kHz

Typical In Room bass extension

Bass reflex: 21Hz
Acoustic suspension: 32Hz

Recommended Amplifier Power

100 - 250W RMS

SPL capability @1m (100-20kHz)

113.0dB peak
111.0dB peak <3% - 2nd, 3rd Harmonics

Certification

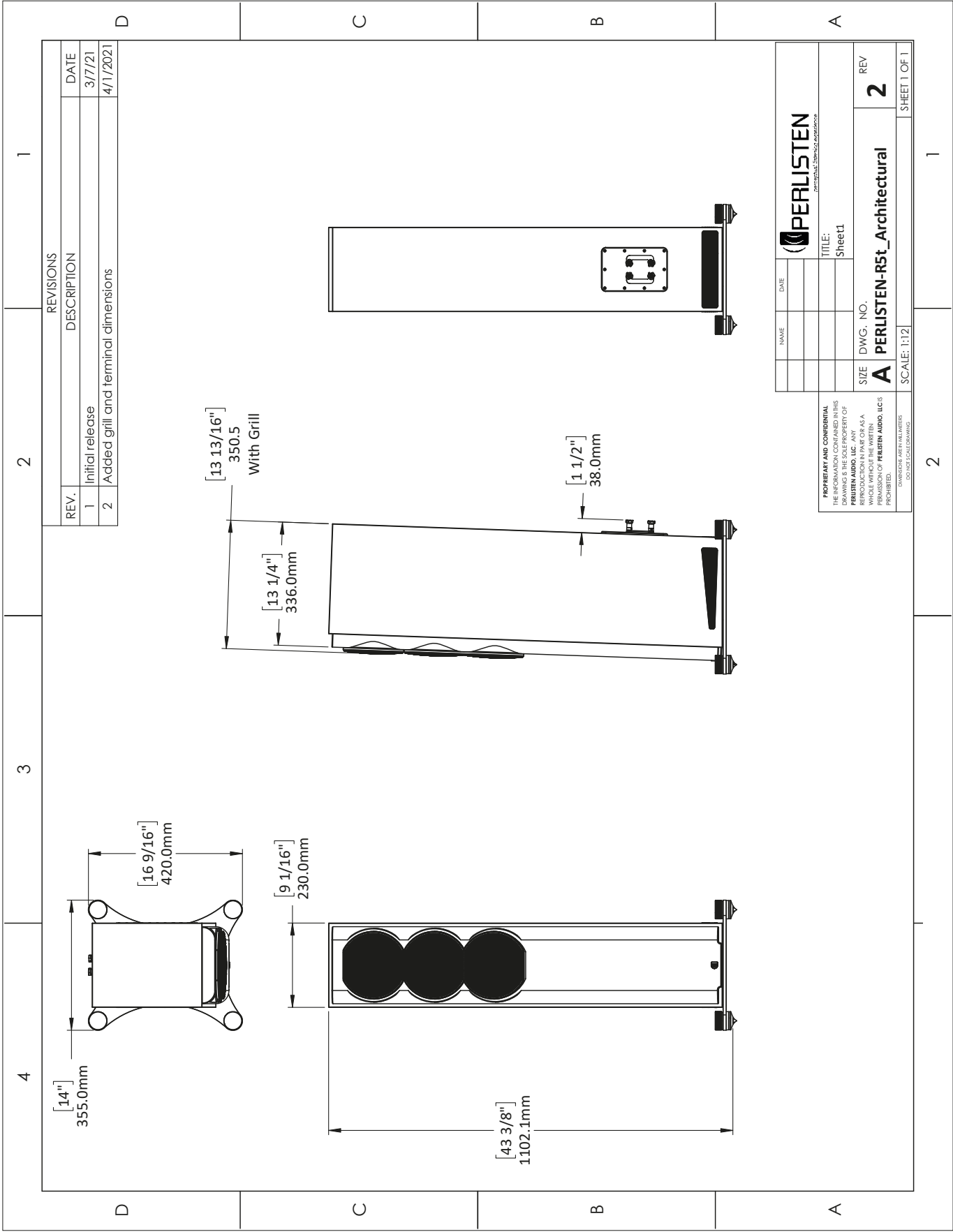
THX Dominus, THX Ultra



DPC-Array
Directivity pattern control
*USA Patent pending



HPF (Hybrid Pulp Formulation)
Diaphragms made from mixed long fiber hardwood, bamboo and wool



REVISIONS		
REV.	DESCRIPTION	DATE
1	Initial release	3/7/21
2	Added grill and terminal dimensions	4/1/2021

NAME	DATE
TITLE: Sheet1	
SIZE	DWG. NO.
A	PERLISTEN-R5t_Architectural
SCALE: 1:12	REV 2
SHEET 1 OF 1	

PROPRIETARY AND CONFIDENTIAL
 THE INFORMATION CONTAINED IN THIS DRAWING IS THE SOLE PROPERTY OF PERLISTEN AUDIO, LLC. ANY REPRODUCTION OR TRANSMISSION OF THIS DRAWING WITHOUT THE WRITTEN PERMISSION OF PERLISTEN AUDIO, LLC IS PROHIBITED.
 DRAWING AREA IN MILLIMETERS
 DO NOT SCALE DRAWING