

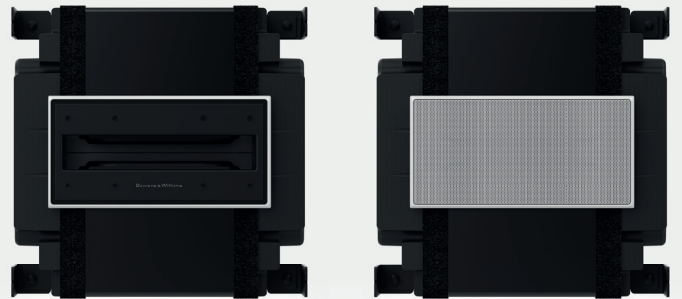


Discrete In-Wall Subwoofer

Bass is a vital element in our enjoyment of sound. It's true for both music and movies, and it's as true for custom installation as it is for an audiophile's two-channel hi-fi or a home cinema system. ISW-6 is a discreet, compact and versatile custom installation subwoofer designed to work primarily with Bowers & Wilkins CI300 and CI600 speakers.

High-performance bass

The ISW-6's twin drivers are arranged in a force-cancelling configuration. This approach dramatically reduces the potential for the ISW-6 to excite the wall around it, leading to a cleaner sound with minimal sound leakage.

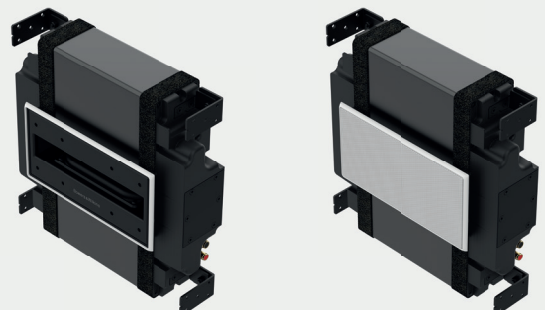


Flexible and discreet

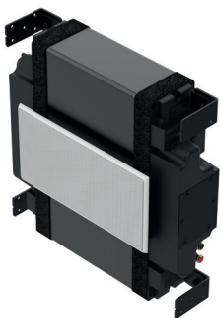
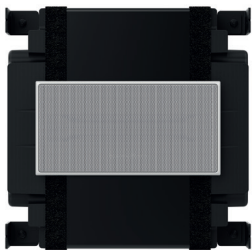
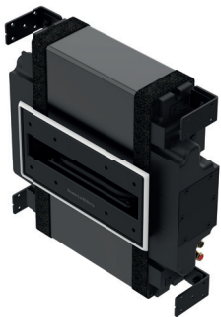
ISW-6 is supplied with a discreet grille as standard, and the cabinet can be mounted either horizontally or vertically, for further flexibility of positioning. Plus, its thin profile allows it to fit into a 2in x 4in stud wall.

Retrofit option

Although the ISW-6 is primarily designed to be installed during construction, it is small and flexible enough to be retrofitted into rooms should it be required to do so. If it is being used in a retrofit system, then a separate grille is available to purchase.



ISW-6



Type In-wall Subwoofer

Drivers

Driver size: 2 x 3in x 7in 'racetrack' drivers
Driver throw: +/- 8mm
Cone material: Paper
Impedance: 8Ω
Power handling: 250W (CDA-4D)
Frequency response: 30 Hz – 200 Hz

Cabinet

Description: Closed-box subwoofer
Cabinet dimensions: Height: 350mm (13.8in)
Width: 350mm (13.8in)
Depth: 87.5mm (3.5in)
Material: Aluminium extrusion and glass-loaded composite
Volume: 6L

Baffle

Baffle dimensions Height: 136mm (5.4in)
Width: 267mm (10.5in)
Depth: 6.5mm (0.3in)

Accessories

Accessories GR ISW-6 (Retro-fit grille kit)
Retro-fit baffle dimensions: Height: 400mm (15.8in)
Width: 400mm (15.8in)
Depth: 8.5mm (0.3in)