



DALI



The image shows the cover of the DALI GARDIAN OW 6 Installation Manual. The background is a light blue wall with a white cylindrical pillar on the left. A white, rectangular, recessed ceiling light fixture is mounted on the pillar. The DALI logo is in the top right corner. The title 'DALI GARDIAN OW 6' is in large, bold, dark grey letters. Below it, 'INSTALLATION MANUAL' is in smaller, dark grey letters. On the left side, there is a table of contents listing languages and page numbers.

DALI GARDIAN OW 6

INSTALLATION MANUAL

ENGLISH	2
DEUTSCH	20
FRANÇAISE	38
ESPAÑOL	56
DANSK	74
日本語	92
简体中文	110
中國傳統	128

DALI

**DALI
GARDIAN
OW 6**

INSTALLATION MANUAL





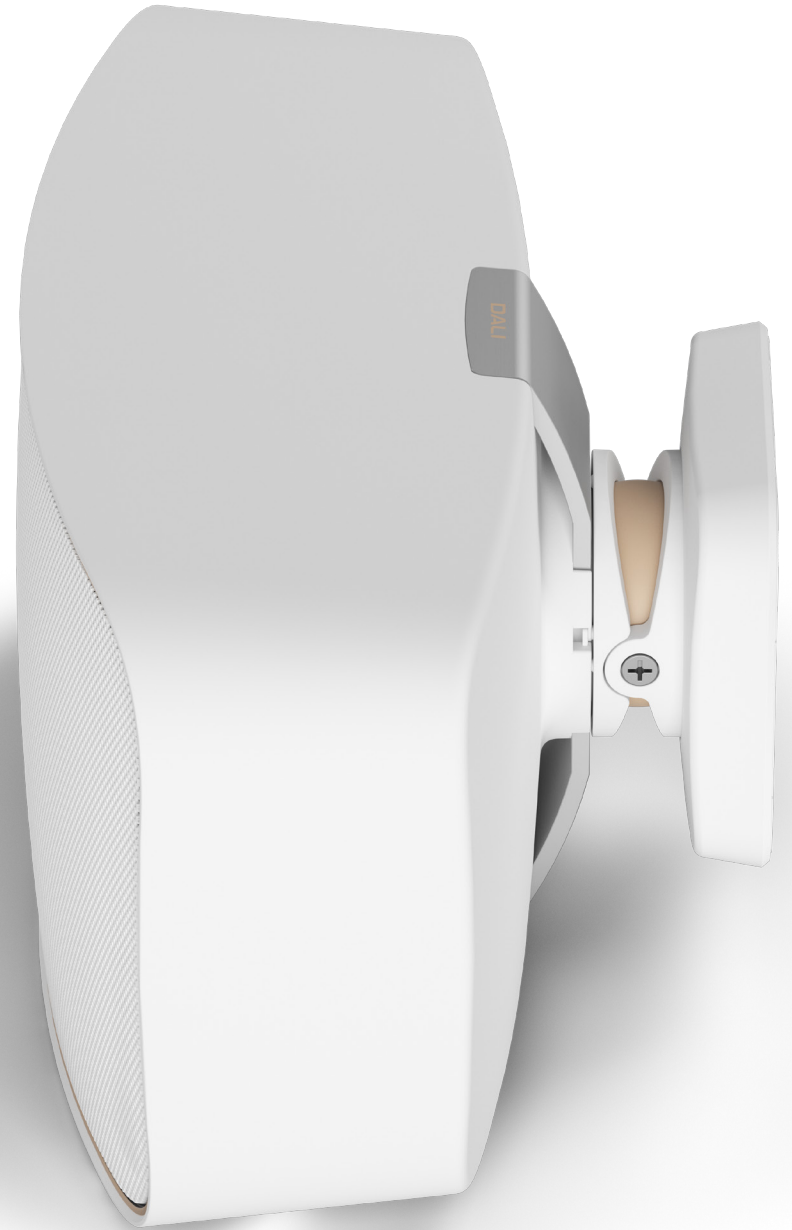
Contents

1.0	Introduction	4
2.0	Safety Precautions	5
3.0	Unpacking	6
4.0	Positioning and Installation	7
4.1	Positioning	8
4.2	Wall Bracket Connection and Installation	9
4.2.1	Wall Mounting Template	9
4.2.2	Pan and Tilt	9
4.2.3	Wall Bracket Connections and Attachment	10
4.2.4	Wall Bracket Cover Attachment	11
4.2.5	Wall Bracket Cover Removal	11
4.2.6	Loudspeaker Attachment	12
4.2.7	Loudspeaker detachment	13
4.2.8	Pan or Tilt Adjustment	14
4.2.9	Bracket Protector Attachment	15
4.2.10	Safety Wire Attachment	16
5.0	Outdoor Loudspeaker Installation	17
6.0	Running In	18
7.0	Cleaning	18
8.0	Disposal	18
9.0	Technical Specifications	19

1.0 Introduction

Congratulations on your new DALI GARDIAN OW 6 outdoor wall mount loudspeakers. The DALI GARDIAN OW 6 is designed to be used where high-quality audio is required in outdoor locations throughout the year. The GARDIAN OW 6 is rated to IP67 for dust and water ingress and suitable for use in temperatures between -20°C and +70°C. It includes a Click n' Connect mounting and connection bracket that enables landscape or portrait orientation and incorporates simple pan or tilt alignment options.

In order to get the most from your DALI GARDIAN OW 6, please read this manual carefully before you unpack and install the loudspeakers. You can find more information on our website: www.dali-speakers.com or by contacting your authorised DALI retailer.





2.0 Safety Precautions

- Always follow the safety precautions.
- GARDIAN OW 6 loudspeakers should be installed by competent professional audio installation technicians.
- Always ensure that GARDIAN OW 6 loudspeakers are only attached to structures that are easily able to support their weight.
- Ensure that there are no service installations such as electrical or data cables, gas or water pipes, or ventilation ducts present in the structure at the GARDIAN OW 6 mounting location.
- Ensure that the driving amplifier is switched off when connecting cables to GARDIAN OW 6 loudspeakers.
- If more than one DALI GARDIAN OW 6 are connected in parallel to the same amplifier output channel, you should refer to your amplifier's technical specifications to ensure that the amplifier can handle the load. If further assistance is needed, please contact your authorized DALI retailer or installer.
- Extended use of loudspeakers at high volume levels may cause hearing damage. Do not raise the volume beyond comfortable levels.
- GARDIAN OW 6 loudspeakers are intended to be mounted in a maximum height of 2 metres / 78.7 inches. Mounting higher than 2 metres requires a safety wire to be attached to the loudspeaker. See Section 4.2.10

3.0 Unpacking

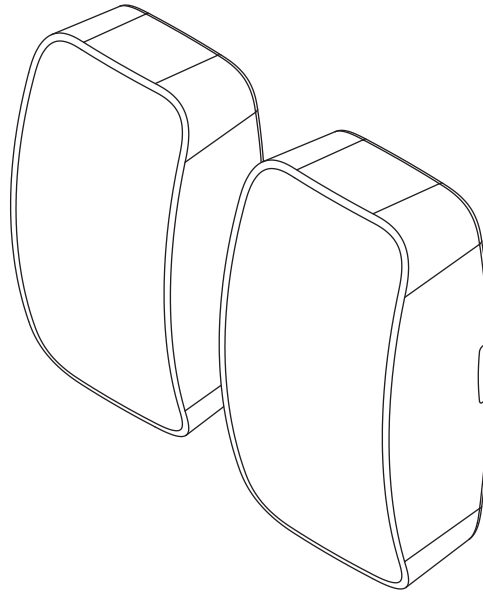
Take care not to damage the box contents when unpacking the GARDIAN OW 6.

Once unpacking is complete, check that all components listed and illustrated in Diagram 1 are present.

We recommend that packaging materials are retained in case the GARDIAN OW 6 requires relocation. If, however, the packaging materials are to be discarded, please ensure they are disposed of responsibly and recycled where possible.

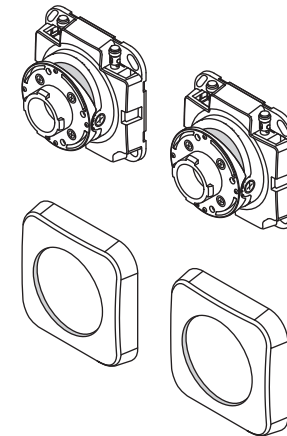
DIAGRAM 1: GARDIAN OW 6 PACK CONTENTS

2 × DALI GARDIAN OW 6

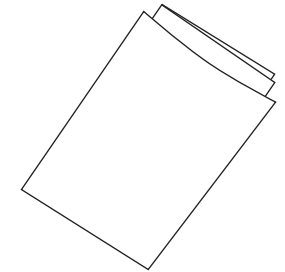


2 × Wall Bracket

2 × Wall Bracket Cover



1 × Document Pack



4.0 Positioning and Installation

The GARDIAN OW 6 is a passive wall mount loudspeaker intended for outdoor or high-humidity indoor use. It offers waterproof and dust-proof IP67 rated performance and can be used in temperatures from -20°C to +70°C.

The GARDIAN OW 6 is supplied with a Click n' Connect Wall Bracket that incorporates loudspeaker connection facilities. The amplifier connection terminals are located within the bracket and the loudspeaker connects automatically when clicked in place.

The GARDIAN OW 6 Wall Bracket enables pan or tilt adjustment so loudspeakers that are mounted above or to the side of the listening area can be angled to direct their output as required. The Wall Bracket can also accommodate portrait or landscape loudspeaker installation options and, due to its concentrically arranged drivers, GARDIAN OW 6 dispersion characteristics remain consistent in either orientation. This significantly enhances the installation versatility of the GARDIAN OW 6.

GARDIAN OW 6 mounting locations should be chosen appropriately for the environment and installation type.

The following paragraphs describe general GARDIAN OW 6 positioning guidelines. Use of the GARDIAN OW 6 wall bracket is illustrated and described in Section 4.2 onwards.

Stereo Installations

Stereo installations should generally follow conventional guidelines with a pair of loudspeakers located at two apex points of an equilateral triangle that includes the primary listening area at its third apex. If the speakers are located significantly above the listening position they may be tilted downwards. The wide dispersion of the GARDIAN OW 6 means there is no need for “toe-in” the speakers towards the central listening area.

Background Sound Installations

For distributed background sound applications, GARDIAN OW 6 mounting locations should be spaced to ensure consistent coverage over the required area. If the speakers are located significantly above the listening position they may be tilted downwards. Background sound loudspeakers are best fed with mono audio rather than stereo.

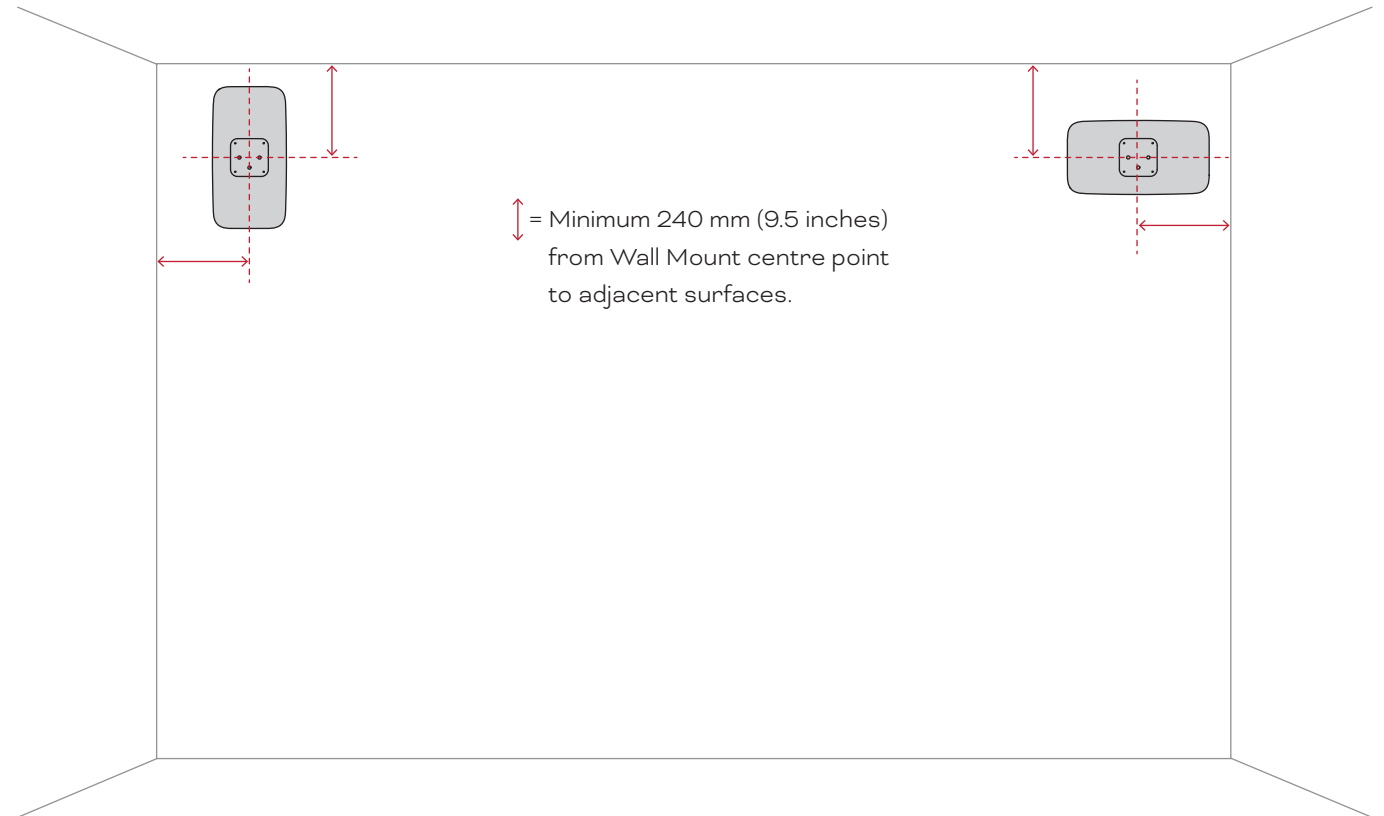
- ! As with any passive loudspeaker, DALI GARDIAN OW 6 locations close to corners will result in bass emphasis. Amplifier EQ facilities may be used to compensate for corner mount low frequency emphasis.

4.1 Positioning

In order to click-fit GARDIAN OW 6 loudspeakers to wall mount brackets they must be mounted a minimum distance away from side walls or ceilings. The minimum distance is shown in Diagram 2.

For correct mounting, please use the included Wall Mounting Template located in the box.

DIAGRAM 2: GARDIAN OW 6 MOUNTING CLEARANCE

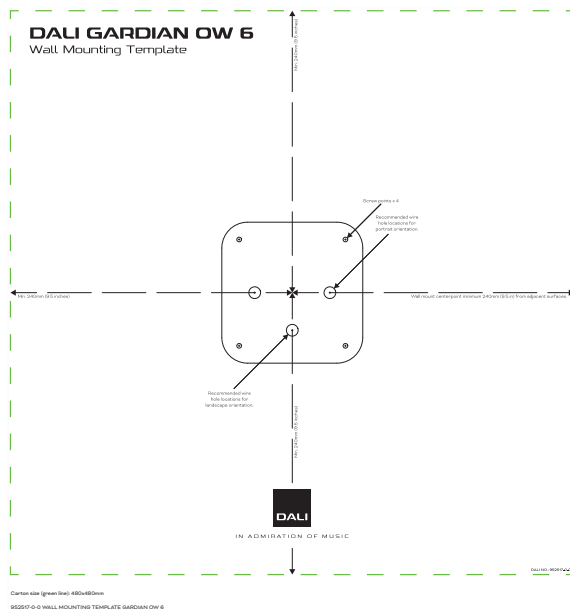


4.2 Wall Bracket Connection and Installation

4.2.1 Wall Mounting Template

To begin the GARDIAN OW 6 Wall Bracket installation, use the supplied Wall Mounting Template to find the correct mounting position. The Wall Mounting Template can be found in the shipping box.

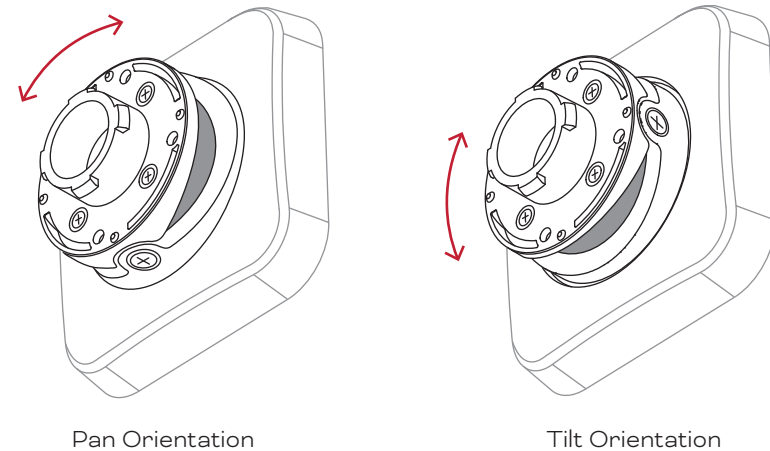
DIAGRAM 3: GARDIAN OW 6 WALL MOUNTING TEMPLATE



4.2.2 Pan and Tilt

Depending on any requirement to employ either tilt or pan adjustment of GARDIAN OW 6 loudspeakers, the Wall Bracket must be mounted with the correct orientation. Pan or tilt bracket orientation is illustrated in Diagram 4.

DIAGRAM 4: GARDIAN OW 6 WALL BRACKET PAN AND TILT ORIENTATION



4.2 Wall Bracket Connection and Installation

4.2.3 Wall Bracket Connections and Attachment

With the wall bracket cover removed, connect the amplifier to the GARDIAN OW 6 Wall Bracket spring terminals using appropriate loudspeaker cable. Connect the amplifier positive terminal (+) to the Wall Bracket positive terminal (red) and the amplifier negative terminal (-) to the Wall Bracket negative terminal (black). Always use high-quality low resistance loudspeaker cable. Loudspeaker cable connections are illustrated in Diagram 5.

! Ensure that the amplifier is switched off while loudspeaker cable connections are being made.

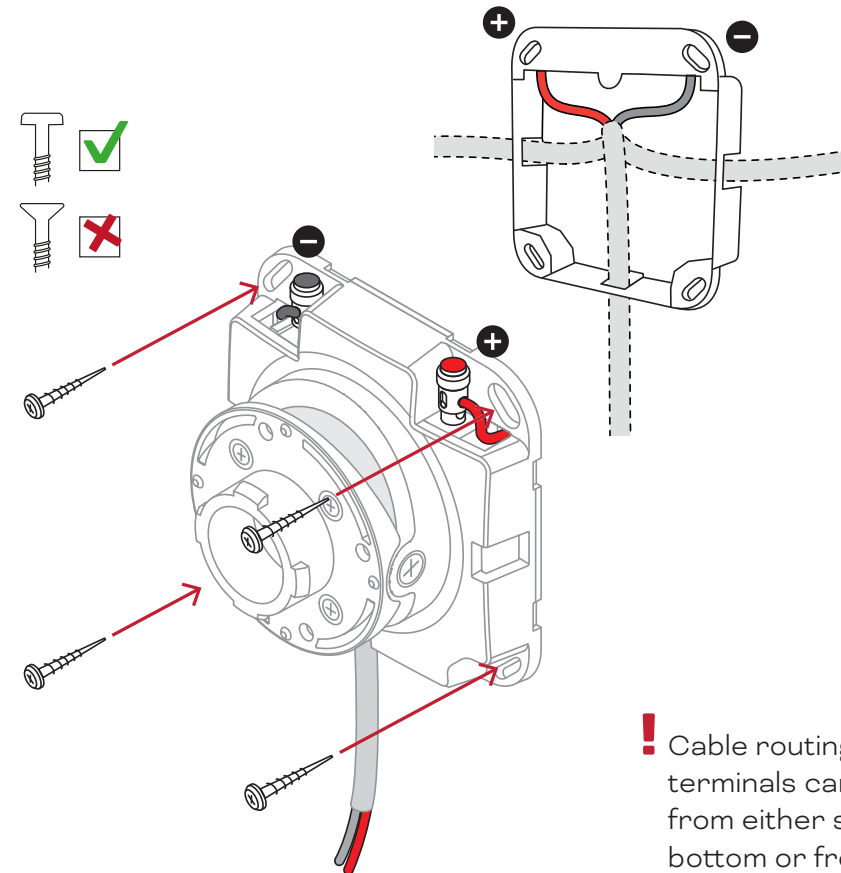
Attach the GARDIAN OW 6 Wall Bracket to the wall or other structure using four screws and the appropriate wall fittings if required. Always ensure that the structure to which GARDIAN OW 6 loudspeakers and wall brackets are attached is easily able to support their weight.

! If you have any doubts over your ability to attach GARDIAN OW 6 wall brackets securely you should seek qualified professional assistance.

! To avoid damage to the wall bracket during attachment, it is recommended to use round head, flat bottom screws. Countersunk screws (with a conical bottom) may damage the bracket holes.

Wall Bracket connection and attachment is illustrated in Diagram 6.

DIAGRAM 5: GARDIAN OW 6 WALL BRACKET ATTACHMENT AND CONNECTIONS



! Cable routing to the terminals can be done from either side, from the bottom or from behind

4.2 Wall Bracket Connection and Installation

4.2.4 Wall Bracket Cover Attachment

Once a Wall Bracket is connected and securely fixed to a wall, its cover can be re-attached. Push the cover until it click-fits in place.

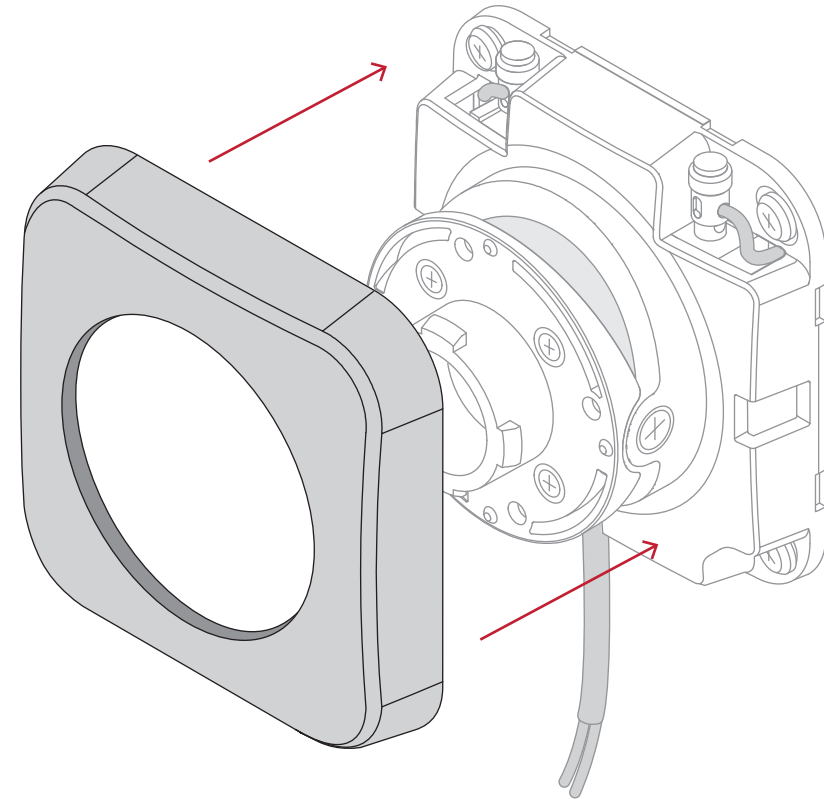
Wall Bracket cover attachment is illustrated in Diagram 6.

4.2.5 Wall Bracket Cover Removal

To regain access to Wall Bracket connection terminals and fixing holes, the bracket cover must be removed. Simply grip the cover and pull it away from the wall bracket body.

A flatheaded screwdriver can be useful in helping to remove the cover.

DIAGRAM 6: GARDIAN OW 6 WALL BRACKET COVER REPLACEMENT



4.2 Wall Bracket Connection and Installation

4.2.6 Loudspeaker Attachment

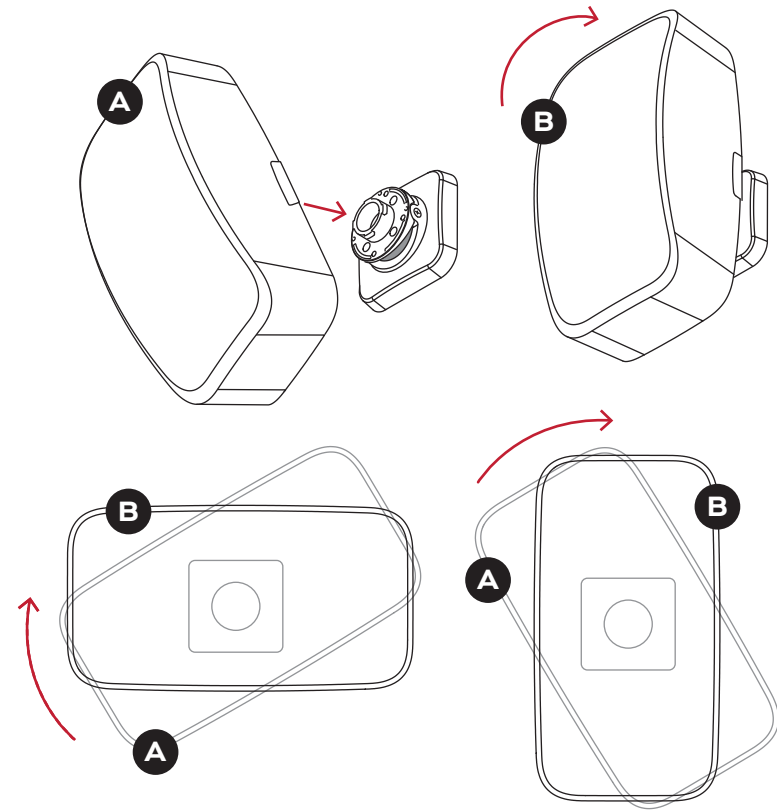
Once a Wall Bracket is connected to an amplifier, securely fixed in place, and has its bracket cover replaced, a GARDIAN OW 6 loudspeaker can be attached. The attachment procedure for landscape or portrait loudspeaker orientation is the same.

To attach a loudspeaker, present it to the bracket at a rotational angle of approximately 20° **A** and insert the loudspeaker post into the wall bracket aperture. When the post is fully inserted, rotate the loudspeaker clockwise towards the perpendicular **B**. The loudspeaker will Click n' Connect into place as it reaches the perpendicular.

The GARDIAN OW 6 loudspeaker attachment procedure is illustrated in Diagram 7.

! If GARDIAN OW 6 brackets are to be left without loudspeakers attached for any length of time, Bracket Protectors should be fitted. Bracket Protectors are available from DALI retailers and distributors. Section 4.2.9 describes the use of Bracket Protectors.

DIAGRAM 7: GARDIAN OW 6 CLICK N' CONNECT LOUDSPEAKER ATTACHMENT



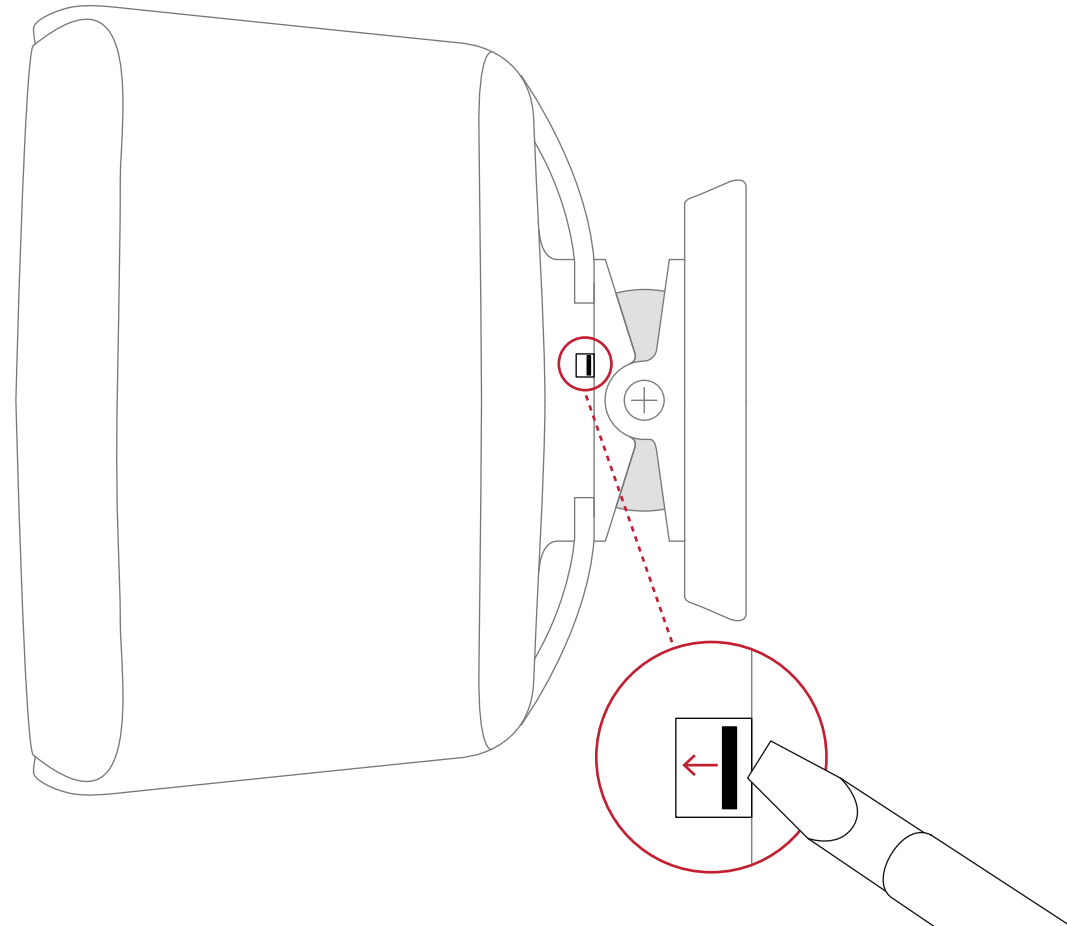
4.2 Wall Bracket Connection and Installation

4.2.7 Loudspeaker detachment

Detaching a GARDIAN OW 6 from its bracket is the reverse procedure of attachment. Use a flathead screwdriver to push the small unlocking pin behind the speaker and rotate the loudspeaker approximately 20° anti-clockwise and retract it from the bracket post.

The GARDIAN OW 6 loudspeaker detachment procedure is illustrated in Diagram 8.

DIAGRAM 8: GARDIAN OW 6 DETACHMENT FROM BRACKET POST



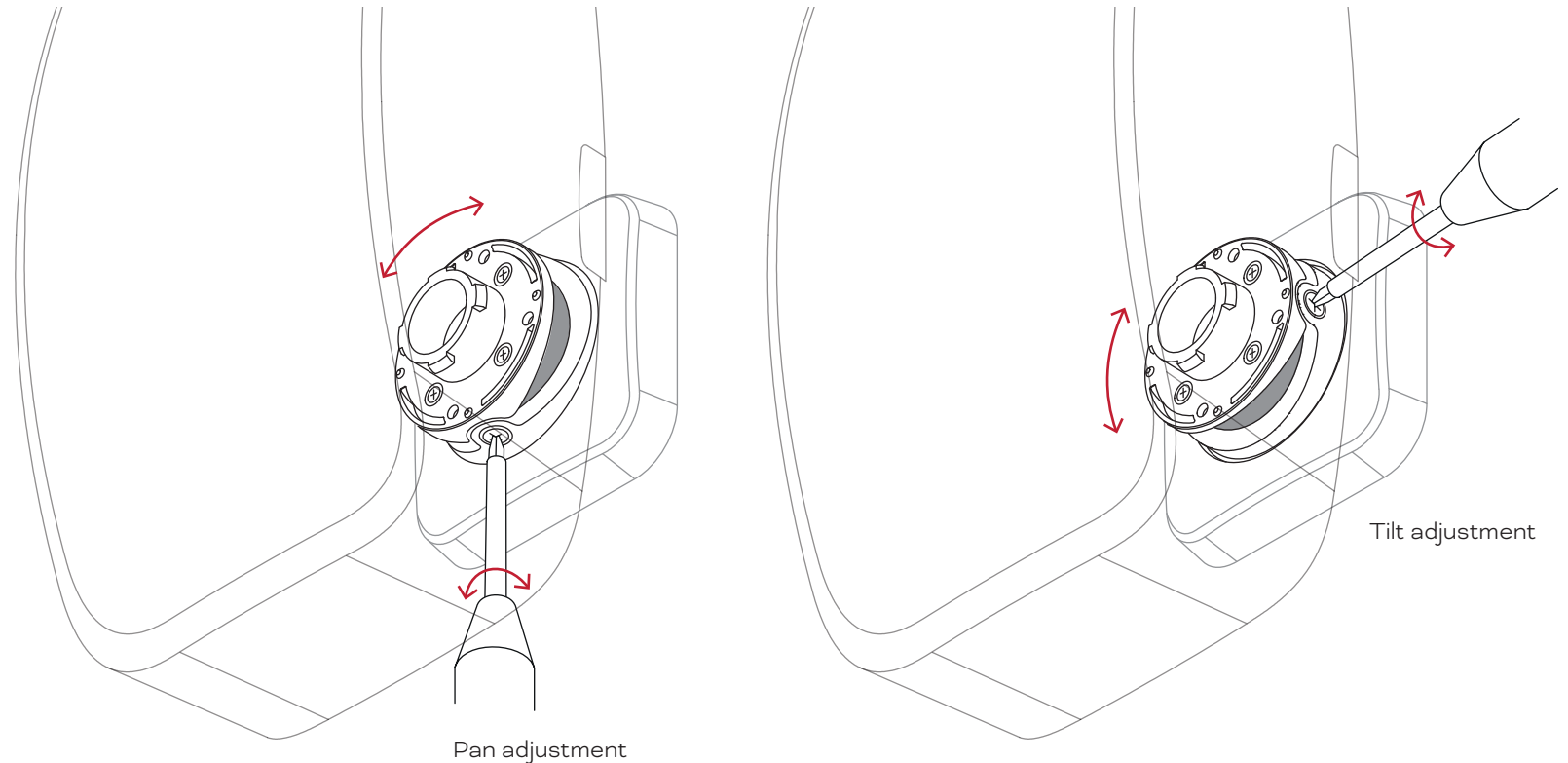
4.2 Wall Bracket Connection and Installation

4.2.8 Pan or Tilt Adjustment

With the GARDIAN OW 6 loudspeaker securely attached to its Wall Bracket and connected to an amplifier its pan or tilt adjustments can be made. To adjust pan or tilt, simply loosen the crosshead adjustment screw, make the required adjustment, and re-tighten the screw.

Pan and tilt adjustment is illustrated in Diagram 9.

DIAGRAM 9: GARDIAN OW 6 PAN AND TILT ADJUSTMENT



4.2 Wall Bracket Connection and Installation

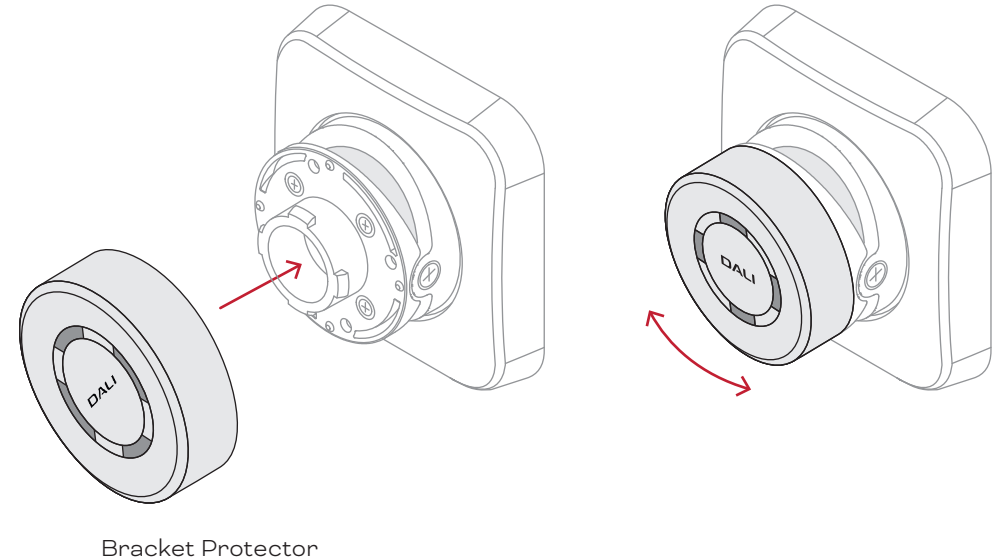
4.2.9 Bracket Protector Attachment

If GARDIAN OW 6 brackets are to be left outdoors without loudspeakers attached for any length of time, Bracket Protectors should be fitted. Bracket Protectors protect the connection components within the bracket from the outdoors environment when no loudspeaker is attached. Bracket Protectors are available from DALI retailers and distributors.

To attach a Bracket Protector simply push it over the bracket post and rotate it 45°.

! The Bracket Protector is sold as an accessory.

DIAGRAM 10: GARDIAN OW 6 BRACKET PROTECTOR ATTACHMENT



4.2 Wall Bracket Connection and Installation

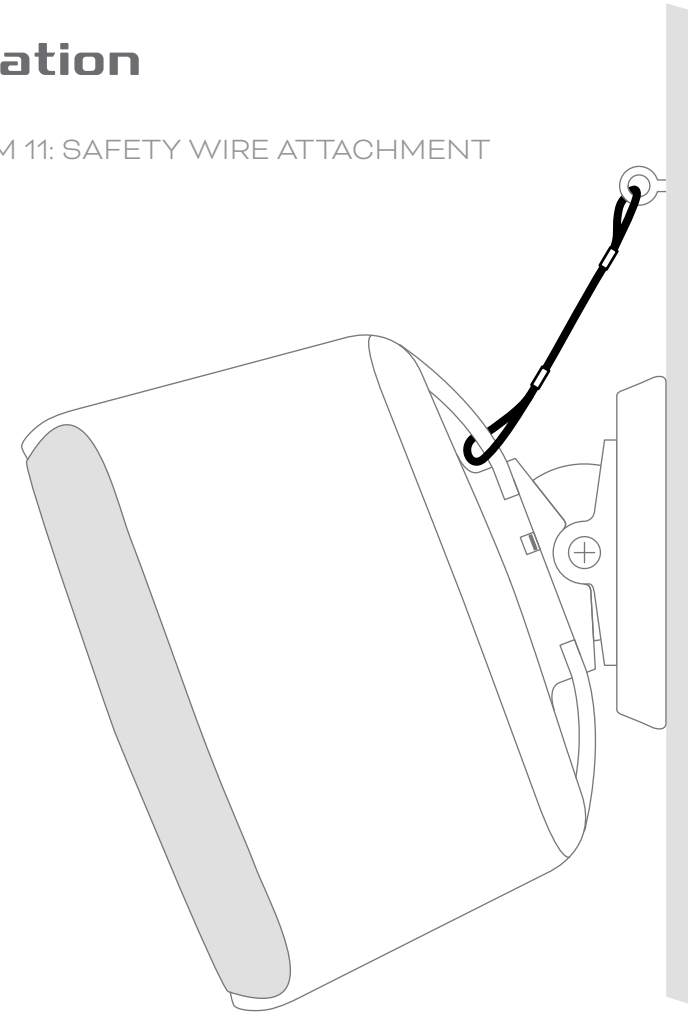
4.2.10 Safety Wire Attachment

GARDIAN OW 6 loudspeakers are intended to be mounted in a maximum height of 2 metres / 78.7 inches. Mounting higher than 2 metres requires a safety wire to be attached to the loudspeaker.

Diagram 11 shows how to attach the safety wire.

Always ensure that GARDIAN OW 6 loudspeakers are only attached to structures that are easily able to support their weight.

DIAGRAM 11: SAFETY WIRE ATTACHMENT



5.0 Outdoor Loudspeaker Installation

Outdoor loudspeaker installations can cover a wide variety of contexts. From general audio coverage in an outdoor deck area for example, to a pool area, around a barbecue, in a garage, or maybe even for multi-channel audio duties in a semi-enclosed home theatre.

The GARDIAN OW 6 offers all the versatility required to mould itself to suit the mounting assets available and enable every outdoor installation to be optimised - even in the typical outdoor context of irregular and perhaps ill-suited mounting structures and surfaces. The images on this page illustrate a few of the possibilities.



6.0 Running In

Like any mechanical system, a loudspeaker requires a “running-in” period to perform at its best. You will experience a gradual increase in sound quality during the first period of use. The break-in period will vary depending on use and playback volume. You should expect up to 100 hours of playback until maximum performance is reached. Unlike other mechanical systems, the life span of a loudspeaker is increased by normal, regular playback of music.

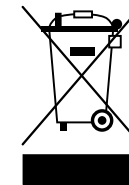
7.0 Cleaning

Thanks to its waterproof features, the GARDIAN OW 6 can be washed with water if required. Use a wet cloth or soft brush. Do not remove the loudspeaker grille and avoid using any solvent-based cleaning fluids. Do not use directed water jets or steam cleaners.

Allow the GARDIAN OW 6 to dry naturally. Do not use any directed heat sources.

8.0 Disposal

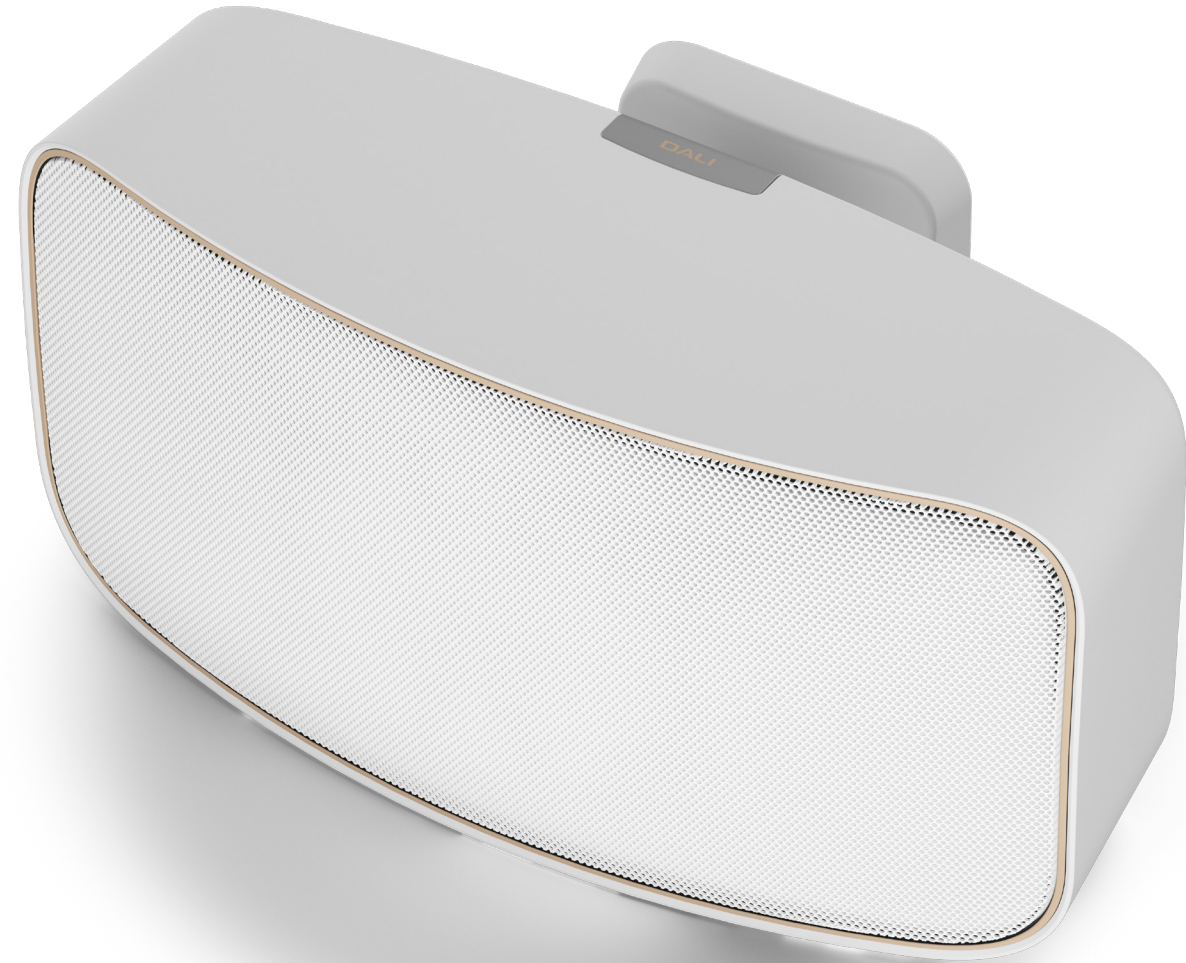
This product contains electrical or electronic materials. The presence of these materials may, if not disposed of properly, have potential adverse effects on the environment and human health. Presence of this label on the product means it should not be disposed of as unsorted waste and must be collected separately. As a consumer, you are responsible for ensuring that this product is disposed of properly.



9.0 Technical Specifications

GARDIAN	OW 6
Frequency range	47 - 25,000 Hz +/- 3dB
Sensitivity	84 dB @ 1m for 2.83 V
Nominal impedance	6 Ohm
Maximum SPL	103 dB
Crossover frequency	2,700 Hz
Crossover principle	2-way
Recommended amplifier power	50 - 200 Watt
High frequency driver	1 x 25 mm soft dome (Coaxially mounted)
High frequency diaphragm	Soft woven fabric
Low/Mid frequency driver	1 x 5 inch
Low/Mid frequency diaphragm	Polypropylene
Connection input	Single wire
Enclosure type	Tuned Mass Enclosure 2 x 5 inch (oval) passive radiators
Other features	Click n' Connect wall bracket
Installation location	On-Wall / On-Ceiling
Recommended placement	Ceiling / Front / Centre / Surround
IP rating	IP 67
Outer dimensions incl. grille (H x W x D)	200 x 372 x 206 mm / 7.87 x 14.65 x 8.11 inches
Weight incl. grille	4.08 kg / 9 lbs
Shipping weight (pair)	10.4 kg / 22.92 lbs
Finish	White / Black
Included accessories	Wall Mounting Template
Optional accessories	Wall Bracket Cover

All technical specifications are subject to change without notice.

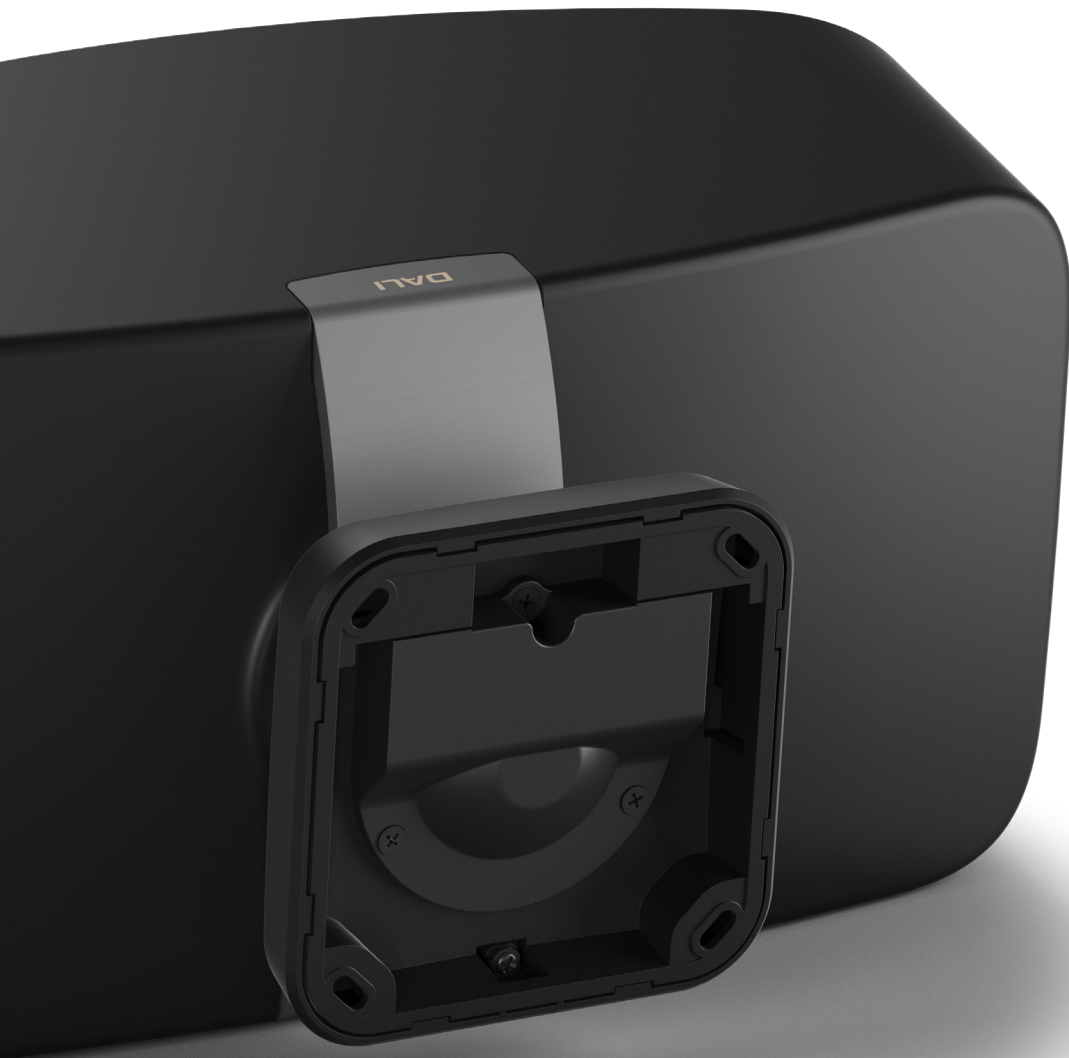


DALI

**DALI
GARDIAN
OW 6**

INSTALLATIONSANLEITUNG





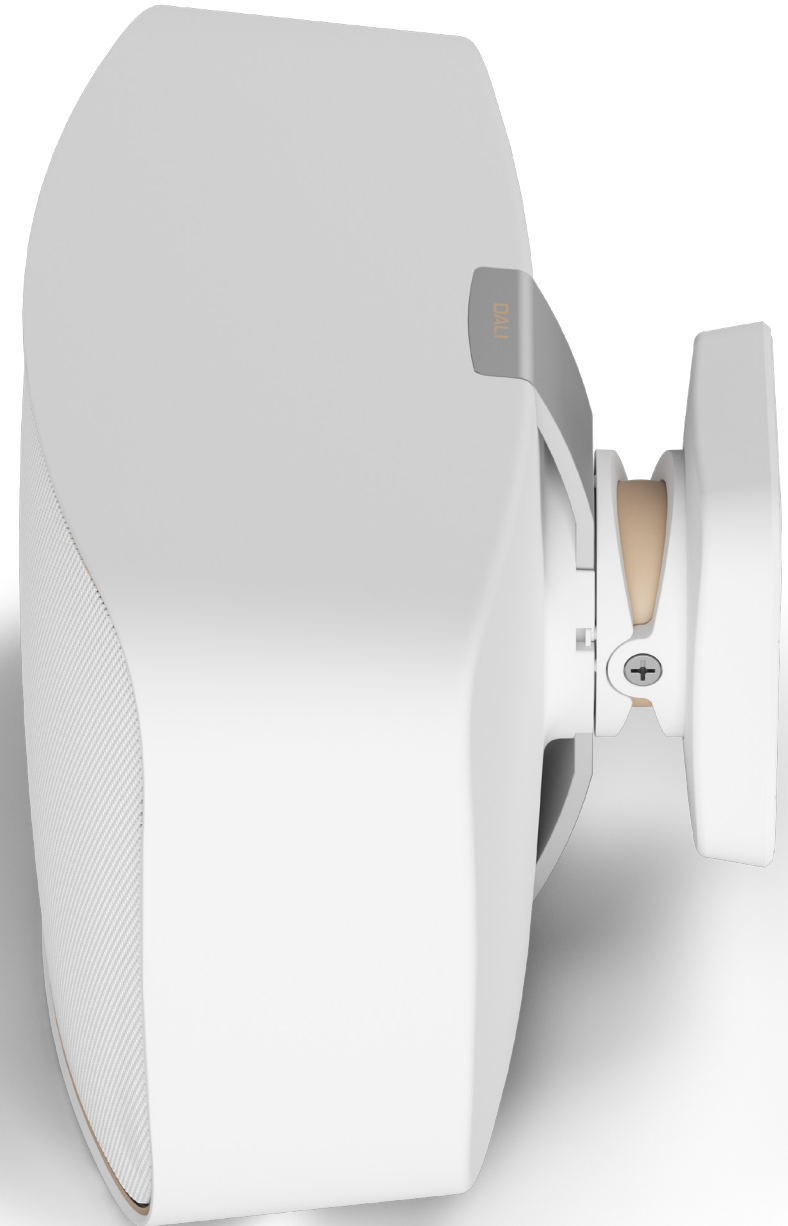
Inhalt

1.0	Einleitung	22
2.0	Sicherheitsvorkehrungen	23
3.0	Auspacken	24
4.0	Positionierung und Einrichtung	25
4.1	Positionierung	26
4.2	Anschluss und Installation der Wandhalterung	27
4.2.1	Wandmontageschablone	27
4.2.2	Schwenken und Neigen	27
4.2.3	Anschlüsse und Befestigung der Wandhalterung	28
4.2.4	Befestigung der Wandhalterungsabdeckung	29
4.2.5	Entfernen der Wandhalterungsabdeckung	29
4.2.6	Anbringen des Lautsprechers	30
4.2.7	Abnehmen des Lautsprechers	31
4.2.8	Einstellung der Schwenk- und Neigeachse	32
4.2.9	Befestigen der Halterungsschutzvorrichtung	33
4.2.10	Befestigung des Sicherungsdrahts	34
5.0	Installation von Außenlautsprechern	35
6.0	Einspielzeit	36
7.0	Reinigung	36
8.0	Entsorgung	36
9.0	Technische Daten	37

1.0 Einleitung

Herzlichen Glückwunsch zu Ihren neuen DALI GARDIAN OW 6-Außenwandlautsprechern. Der DALI GARDIAN OW 6 wurde für den Einsatz an Orte im Freien konzipiert, an denen das ganze Jahr über eine hohe Audioqualität erforderlich ist. Der GARDIAN OW 6 ist nach der Schutzart IP67 gegen das Eindringen von Staub und Wasser geschützt und für den Einsatz bei Temperaturen zwischen -20 °C und +70 °C geeignet. Zum Lieferumfang gehört eine „Click n' Connect“-Montage- und Verbindungshalterung. Sie ermöglicht eine Quer- oder Hochformatausrichtung des Lautsprechers und erlaubt einfaches Schwenken und Neigen.

Um den größtmöglichen Nutzen aus dem DALI GARDIAN OW 6 zu ziehen, lesen Sie bitte diese Anleitung sorgfältig durch, bevor Sie den Lautsprecher auspacken und montieren. Weitere Informationen finden Sie auf unserer Homepage www.dali-speakers.com. Sie können sich auch an Ihren autorisierten DALI-Fachhändler wenden.





2.0 Sicherheitsvorkehrungen

- Beachten Sie stets die Sicherheitsvorkehrungen.
- Wir empfehlen Ihnen, den GARDIAN OW 6 von einem kompetenten, professionellen Audio-Installations-techniker montieren und anschließen zu lassen.
- Achten Sie grundsätzlich darauf, dass GARDIAN OW 6 Lautsprecher nur an Strukturen befestigt werden, die sein Gewicht problemlos tragen können.
- Stellen Sie sicher, dass sich in der Struktur, an der Sie den GARDIAN OW 6 befestigen werden, keine haustechnischen Anlagen oder Leitungen – wie zum Beispiel Elektro- oder Datenkabel, Gasleitungen, Wasserleitungen oder Lüftungskanäle befinden.
- Stellen Sie sicher, dass die Endstufe ausgeschaltet ist, wenn Sie diese mit den GARDIAN OW 6 Lautsprechern verbinden.
- Wenn Sie mehrere DALI GARDIAN OW 6 parallel an denselben Ausgangskanal eines Verstärkers anschließen wollen, sollten Sie zunächst die technischen Daten Ihres Verstärkers prüfen, um sicherzustellen, dass der Verstärker für diese Last ausgelegt ist. Wenn Sie weitere Hilfe benötigen, wenden Sie sich bitte an Ihren autorisierten DALI-Fachhändler oder -Installateur.
- Die längere Verwendung von Lautsprechern bei hoher Lautstärke kann zu Hörschäden führen. Erhöhen Sie die Lautstärke nicht über ein angenehmes Maß hinaus.
- Die GARDIAN OW 6-Lautsprecher sind für die Montage in einer Höhe von maximal 2 Metern (78,7 Zoll) vorgesehen. Bei einer Montage in einer Höhe von mehr als 2 Metern muss ein Sicherheitsseil am Lautsprecher angebracht werden. Siehe hierzu Abschnitt 4.2.10.

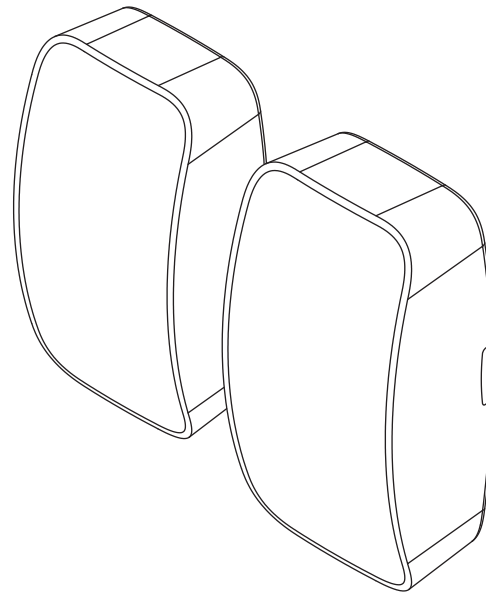
3.0 Auspacken

Achten Sie beim Auspacken des GARDIAN OW 6 darauf, die im Lieferumfang enthaltenen Komponenten nicht zu beschädigen. Überprüfen Sie nach dem Auspacken, ob alle in Abbildung 1 aufgeführten und dargestellten Komponenten vorhanden sind.

Wir empfehlen, das Verpackungsmaterial aufzubewahren, falls der GARDIAN OW 6 später andernorts verwendet werden soll. Wenn das Verpackungsmaterial jedoch entsorgt werden soll, stellen Sie bitte sicher, dass es verantwortungsvoll entsorgt und nach Möglichkeit recycelt wird.

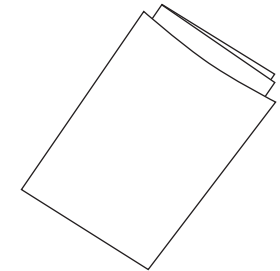
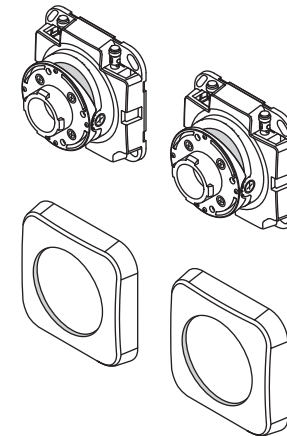
ABBILDUNG 1: GARDIAN OW 6 PACKUNGSINHALT

2 × DALI GARDIAN OW 6



2 × Wandhalterung

2 × Wandhalterungsabdeckung 1 × Dokumentation



4.0 Positionierung und Einrichtung

Der GARDIAN OW 6 ist ein passiver Wandlautsprecher für die Verwendung in Außenbereichen oder in Innenräumen mit hoher Luftfeuchtigkeit. Er ist wasser- und staubdicht gemäß Schutzart IP67 und kann bei Temperaturen von -20 °C bis +70 °C verwendet werden.

Der GARDIAN OW 6 wird mit einer „Click n' Connect“-Wandhalterung geliefert, die über eine integrierte Kabelführung für Lautsprecher verfügt. Die Anschlussklemmen für den Verstärker befinden sich innerhalb der Halterung, und der Lautsprecher wird automatisch verbunden, sobald er in der Halterung eingerastet ist.

Die Wandhalterung der GARDIAN OW 6 ermöglicht das Schwenken und Neigen, sodass Lautsprecher, die über oder neben dem Hörbereich montiert werden müssen, so ausgerichtet werden können, dass ihr Signal den Hörbereich optimal abdeckt. Die Wandhalterung ermöglicht außerdem die Installation von Lautsprechern im Hoch- oder Querformat. Aufgrund der konzentrisch angeordneten Treiber bleiben die Abstrahleigenschaften des GARDIAN OW 6 bei beiden Ausrichtungen gleich. Dadurch ergeben

sich zahlreiche Möglichkeiten für die Installation des GARDIAN OW 6.

Bei der Auswahl der optimalen Positionen für die GARDIAN OW 6 Lautsprecher sollten Sie sowohl die Umgebung als auch die vorgesehene Verwendung in Betracht ziehen.

Die folgenden Abschnitten beschreiben allgemeine Richtlinien zur Positionierung der GARDIAN OW 6 Lautsprecher. Die Verwendung der Wandhalterung für den GARDIAN OW 6 wird in Abschnitt 4.2 dargestellt und erläutert.

Stereo-Installationen

Stereoinstallation sollten im Allgemeinen entsprechend der bekannten Richtlinie folgen, nach der die Achsen eines Lautsprecherpaares zwei Seiten eines gleichschenkligen Dreiecks bilden, dessen Spitze sich im primären Hörbereich befindet. Wenn sich die Lautsprecher deutlich oberhalb der Hörposition befinden, können sie nach unten geneigt werden. Aufgrund der breiten Streuung

des GARDIAN OW 6 ist es nicht erforderlich, die Lautsprecher in Richtung des zentralen Hörbereichs auszurichten.

Installationen für Hintergrundbeschallung

Bei verteilten Installationen für Hintergrundbeschallung sollten die Montageorte der GARDIAN OW 6 Lautsprecher so gewählt werden, dass eine gleichmäßige Abdeckung des gesamten Bereichs gewährleistet ist. Wenn sich die Lautsprecher deutlich oberhalb der Hörposition befinden, können sie nach unten geneigt werden. Lautsprecher für Hintergrundbeschallung sollten in der Regel mit einem Mono-Audiosignal und nicht stereo betrieben werden.

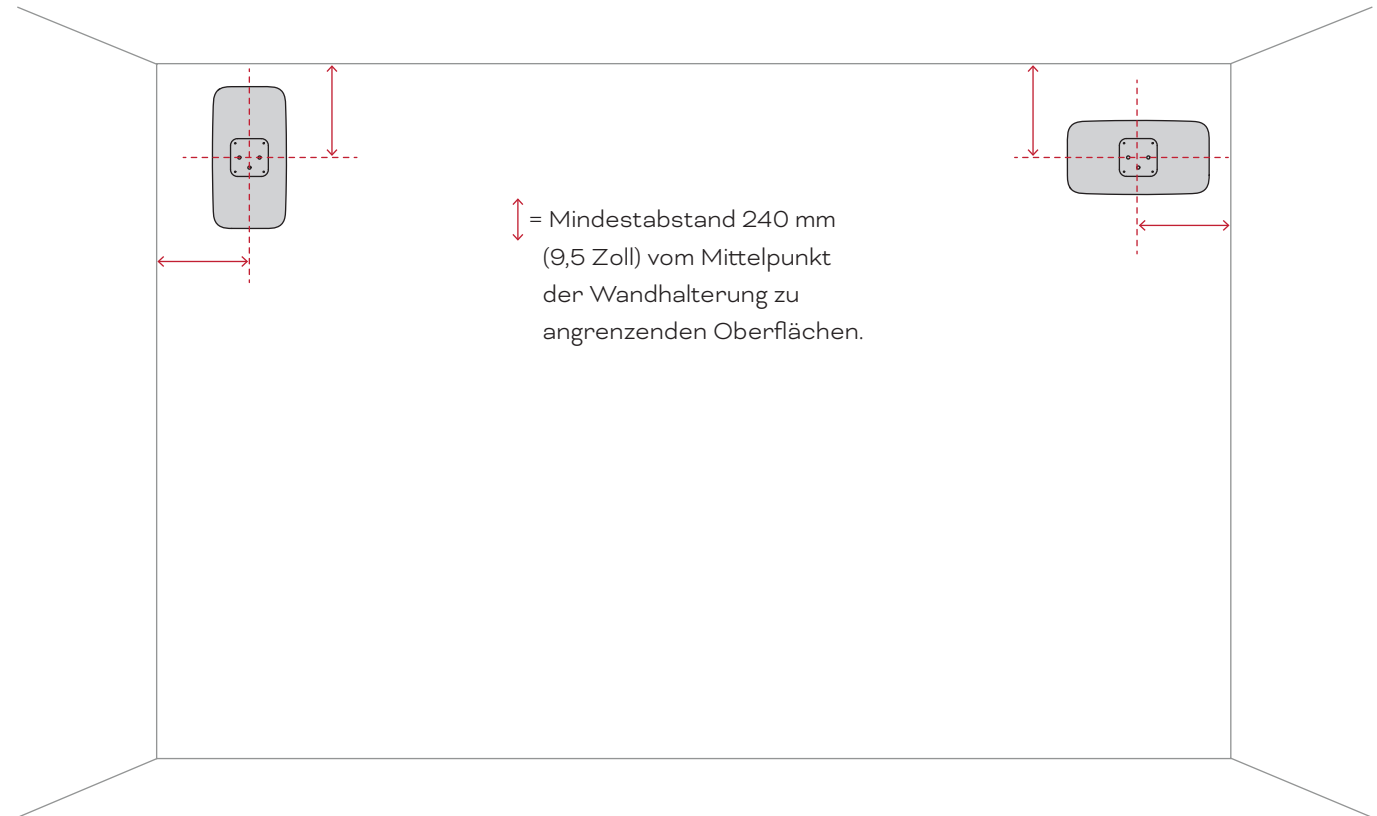
! Die Platzierung eines DALI GARDIAN OW 6 in der Nähe von Ecken führt – wie bei jedem passiven Lautsprecher – zu einer Anhebung der Bässe. Um die Betonung niedriger Frequenzen bei der Montage in oder in der Nähe einer Ecke auszugleichen, können EQ-Funktionen des Verstärkers verwendet werden.

4.1 Positionierung

Um GARDIAN OW 6 Lautsprecher per Klickmontage an Wandhalterungen befestigen zu können, müssen sie in einem Mindestabstand von Seitenwänden oder Decken montiert werden. Der Mindestabstand wird in Diagramm 2 dargestellt.

Für eine korrekte Montage verwenden Sie bitte die im Lieferumfang enthaltene Wandmontageschablone.

ABBILDUNG 2: GARDIAN OW 6 MONTAGEABSTAND

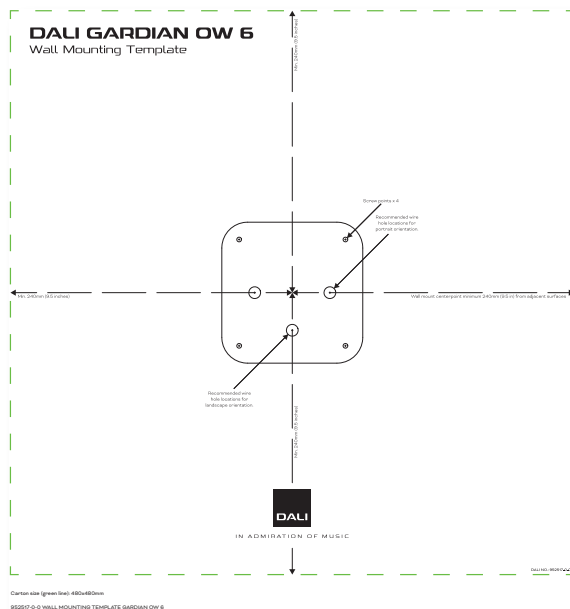


4.2 Anschluss und Installation der Wandhalterung

4.2.1 Wandmontageschablone

Beginnen Sie mit der Installation der GARDIAN OW 6 Wandhalterung, indem Sie mit Hilfe der mitgelieferten Wandmontageschablone die richtige Montageposition ermitteln. Die Wandmontageschablone finden Sie im Versandkarton.

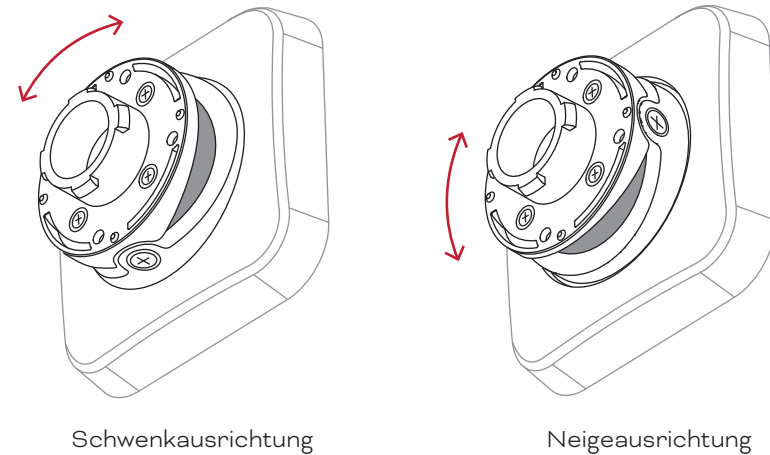
ABBILDUNG 3: GARDIAN OW 6 WANDMONTAGESCHABLONE



4.2.2 Schwenken und Neigen

Je nachdem, ob die GARDIAN OW 6 Lautsprecher nach der Montage vertikal geneigt oder horizontal geschwenkt werden sollen, muss die Wandhalterung in der richtigen Ausrichtung montiert werden. Die Ausrichtung der Halterung für Schwenken oder Neigen wird in Diagramm 4 dargestellt.

ABBILDUNG 4: GARDIAN OW 6 WANDHALTERUNG – SCHWENK- UND NEIGEAUSRICHTUNG



4.2 Anschluss und Installation der Wandhalterung

4.2.3 Anschlüsse und Befestigung der Wandhalterung

Nachdem Sie die Abdeckung der Wandhalterung entfernt haben, verbinden Sie die Federklemmen der Wandhalterung der GARDIAN OW 6 über ein geeignetes Lautsprecherkabel mit dem Verstärker. Verbinden Sie den Pluspol (+) des Verstärkers mit dem Pluspol (rot) der Wandhalterung und den Minuspol (-) des Verstärkers mit dem Minuspol (schwarz) der Wandhalterung. Verwenden Sie immer hochwertige Lautsprecherkabel mit geringem Widerstand. Die Lautsprecherkabelanschlüsse sind in Diagramm 5 dargestellt.

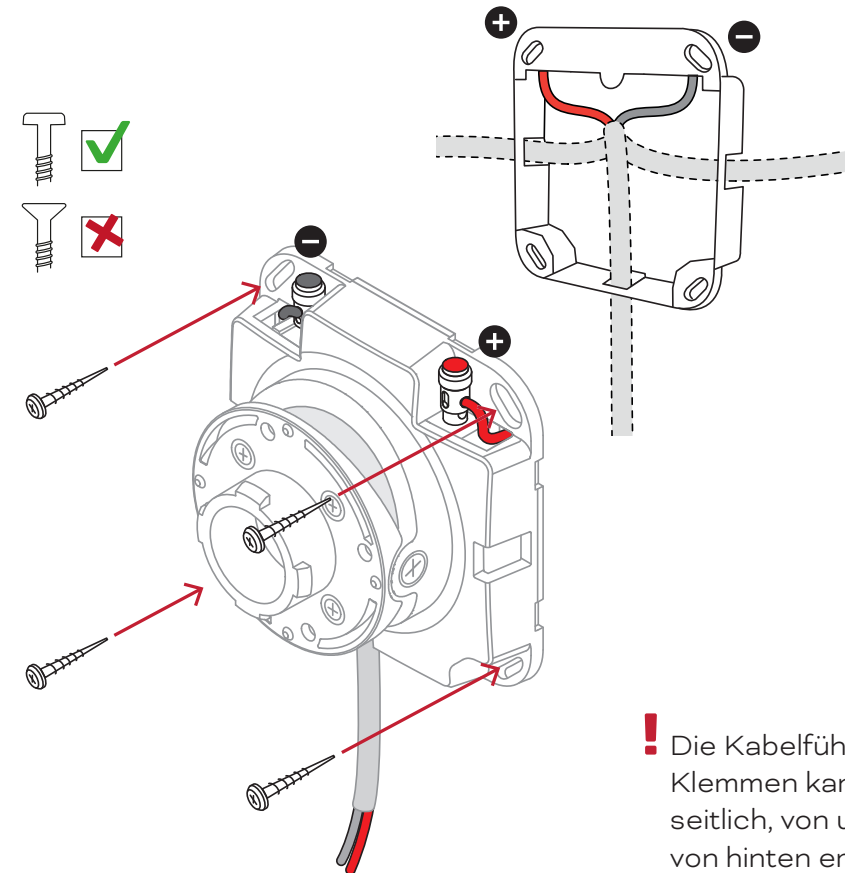
- ! Stellen Sie sicher, dass der Verstärker ausgeschaltet ist, während die Lautsprecherkabel angeschlossen werden.

Befestigen Sie die GARDIAN OW 6 Wandhalterung mit vier Schrauben und gegebenenfalls den entsprechenden Wandbeschlägen an der Wand oder einer anderen Struktur. Achten Sie stets darauf, dass die Struktur, an der Sie einen GARDIAN OW 6 Lautsprecher und die Wandhalterungen befestigen, deren Gewicht problemlos tragen kann.

- ! Wenn Sie unsicher sind, ob Sie die Wandhalterungen für die GARDIAN OW 6 Lautsprecher korrekt befestigen können, nehmen Sie bitte qualifizierte professionelle Hilfe in Anspruch.
- ! Um eine Beschädigung der Wandhalterung bei der Befestigung zu vermeiden, sollten Sie Rundkopfschrauben mit flachem Boden verwenden. Senkkopfschrauben (mit konischem Boden) können die Halterungslöcher beschädigen.

Anschluss und Befestigung der Wandhalterung sind in Abbildung 6 dargestellt.

ABBILDUNG 5: GARDIAN OW 6 WANDHALTERUNG – BEFESTIGUNG UND ANSCHLÜSSE



- ! Die Kabelführung zu den Klemmen kann wahlweise seitlich, von unten oder von hinten erfolgen

4.2 Anschluss und Installation der Wandhalterung

4.2.4 Befestigung der Wandhalterungsabdeckung

Sobald Sie eine Wandhalterung angeschlossen und sicher an einer Wand befestigt haben, kann deren Abdeckung wieder angebracht werden. Drücken Sie auf die Abdeckung, bis diese einrastet.

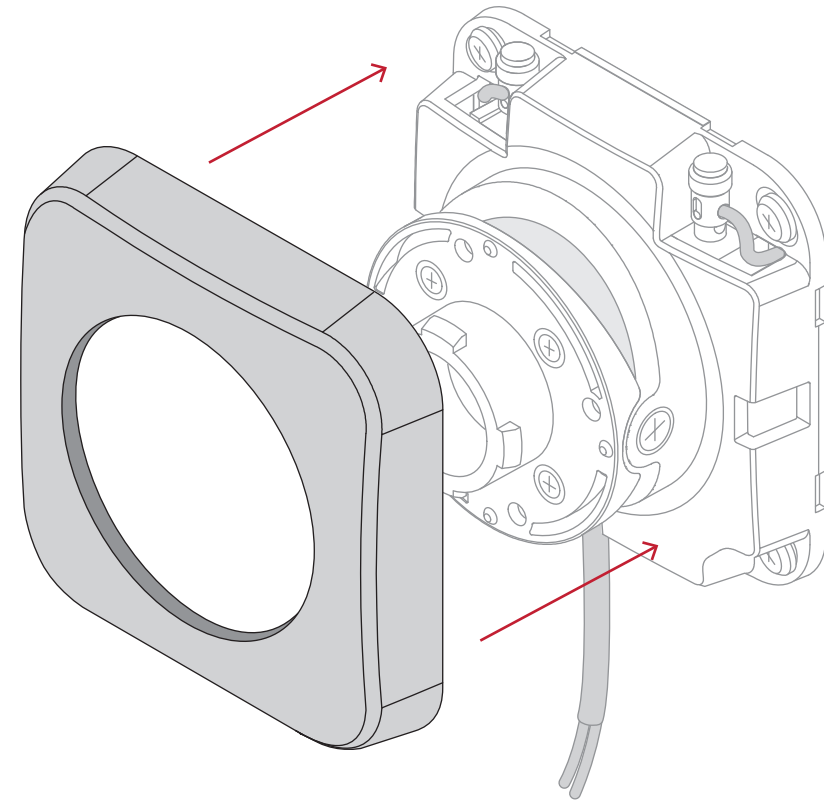
Die Befestigung der Wandhalterungsabdeckung ist in Abbildung 6 dargestellt.

4.2.5 Entfernen der Wandhalterungsabdeckung

Wenn Sie Zugriff auf die Anschlussklemmen und Befestigungslöcher der Wandhalterung benötigen, müssen Sie die Halterungsabdeckung entfernen. Greifen Sie dazu einfach die Abdeckung und ziehen Sie diese vom Korpus der Wandhalterung ab.

Ein Schlitzschraubendreher kann beim Entfernen der Abdeckung hilfreich sein.

ABBILDUNG 6: AUFSETZEN DER GARDIAN OW 6 WANDHALTERUNGSABDECKUNG



4.2 Anschluss und Installation der Wandhalterung

4.2.6 Anbringen des Lautsprechers

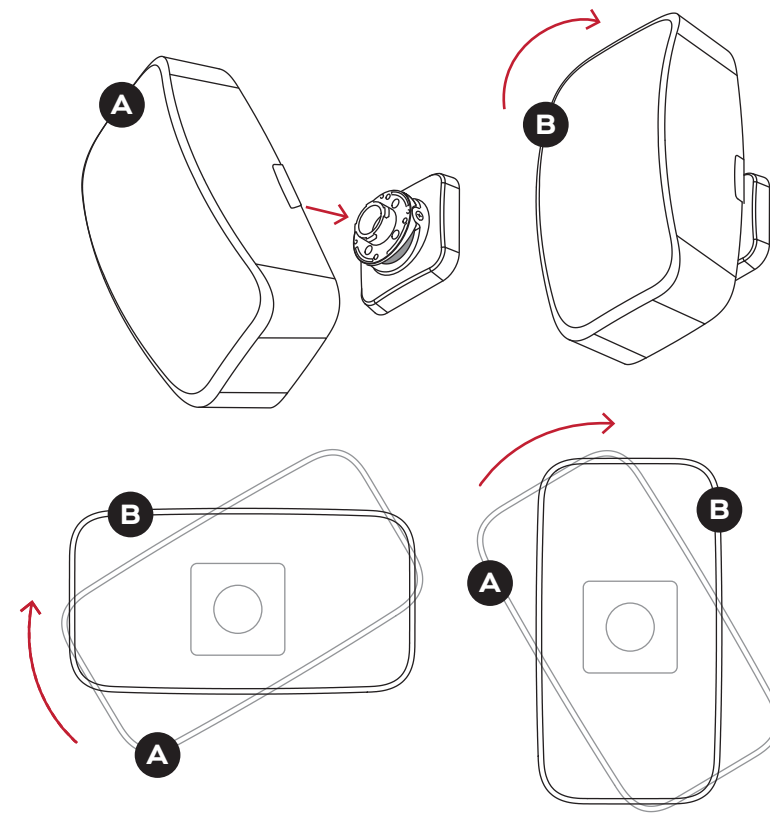
Sobald Sie eine Wandhalterung mit dem Verstärker verbunden, sicher befestigt und die Halterungsabdeckung wieder angebracht haben, können Sie einen GARDIAN OW 6 Lautsprecher darauf anbringen. Das Anbringen ist bei horizontaler oder vertikaler Lautsprecherausrichtung identisch.

Um einen Lautsprecher anzubringen, positionieren Sie ihn in einem Drehwinkel von circa 20° **A** an der Halterung. Stecken Sie dann den Lautsprechersockel in die Öffnung der Wandhalterung. Wenn der Sockel vollständig eingesetzt ist, drehen Sie den Lautsprecher im Uhrzeigersinn in Richtung der Senkrechten **B**. Der Lautsprecher rastet per „Click n' Connect“ ein, sobald er die Senkrechte erreicht.

Das Anbringen des GARDIAN OW 6 Lautsprechers ist in Abbildung 7 dargestellt.

! Wenn Wandhalterungen für GARDIAN OW 6 Lautsprecher längere Zeit ohne angebrachte Lautsprecher in Außenbereichen verbleiben, sollten sie durch Halterungsschutzvorrichtungen geschützt werden. Halterungsschutzvorrichtungen erhalten Sie bei DALI-Fachhändlern und -Vertriebspartnern. Abschnitt 4.2.9 beschreibt die Verwendung von Halterungsschutzvorrichtungen.

ABBILDUNG 7: GARDIAN OW 6 – „CLICK N' CONNECT“-LAUTSPRECHERMONTAGE



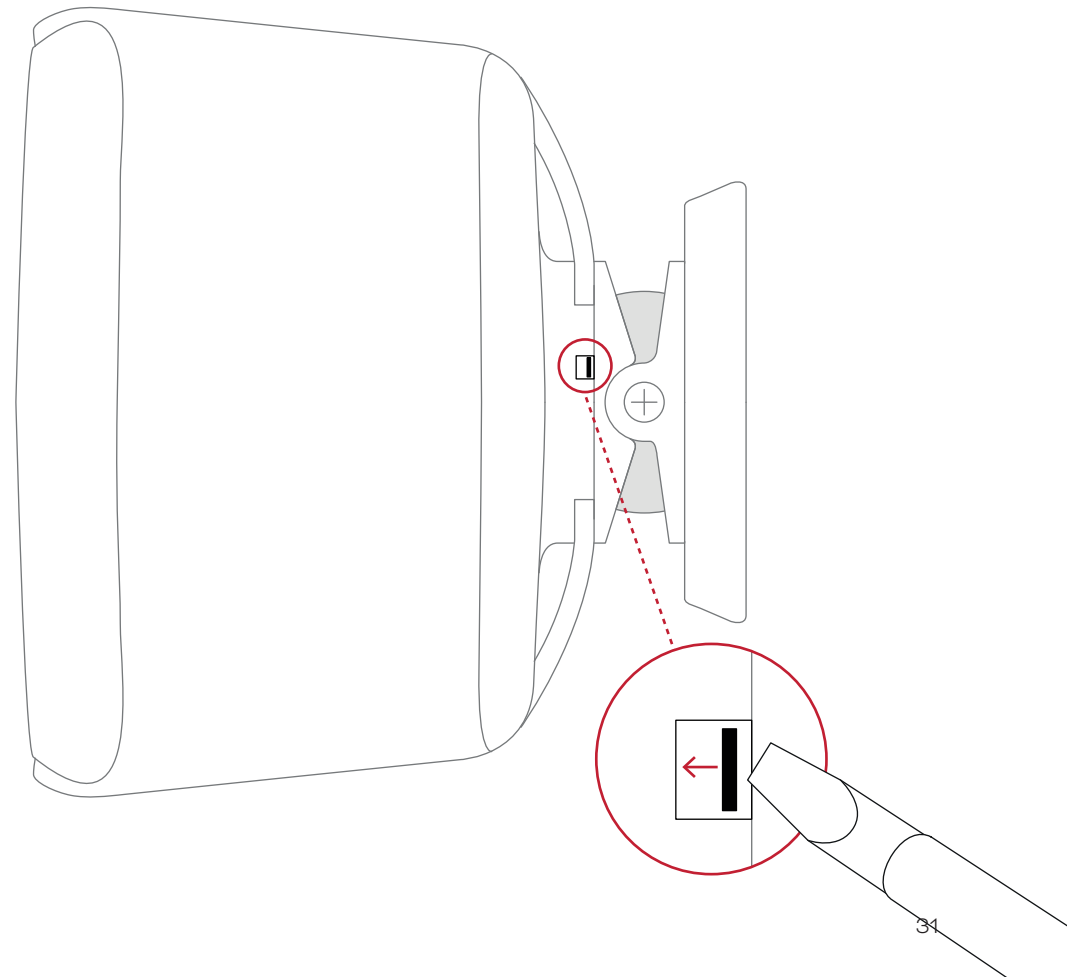
4.2 Anschluss und Installation der Wandhalterung

4.2.7 Abnehmen des Lautsprechers

Das Abnehmen eines GARDIAN OW 6 von seiner Halterung erfolgt in umgekehrter Reihenfolge wie die Befestigung. Drücken Sie mit einem Schlitzschraubendreher den kleinen Entriegelungsstift hinter dem Lautsprecher, drehen Sie den Lautsprecher etwa 20° gegen den Uhrzeigersinn und ziehen Sie ihn aus der Halterungsführung heraus.

Das Abnehmen des GARDIAN OW 6 Lautsprechers ist in Abbildung 8 dargestellt.

ABBILDUNG 8: ABNEHMEN DES GARDIAN OW 6 VON DER HALTERUNGSFÜHRUNG



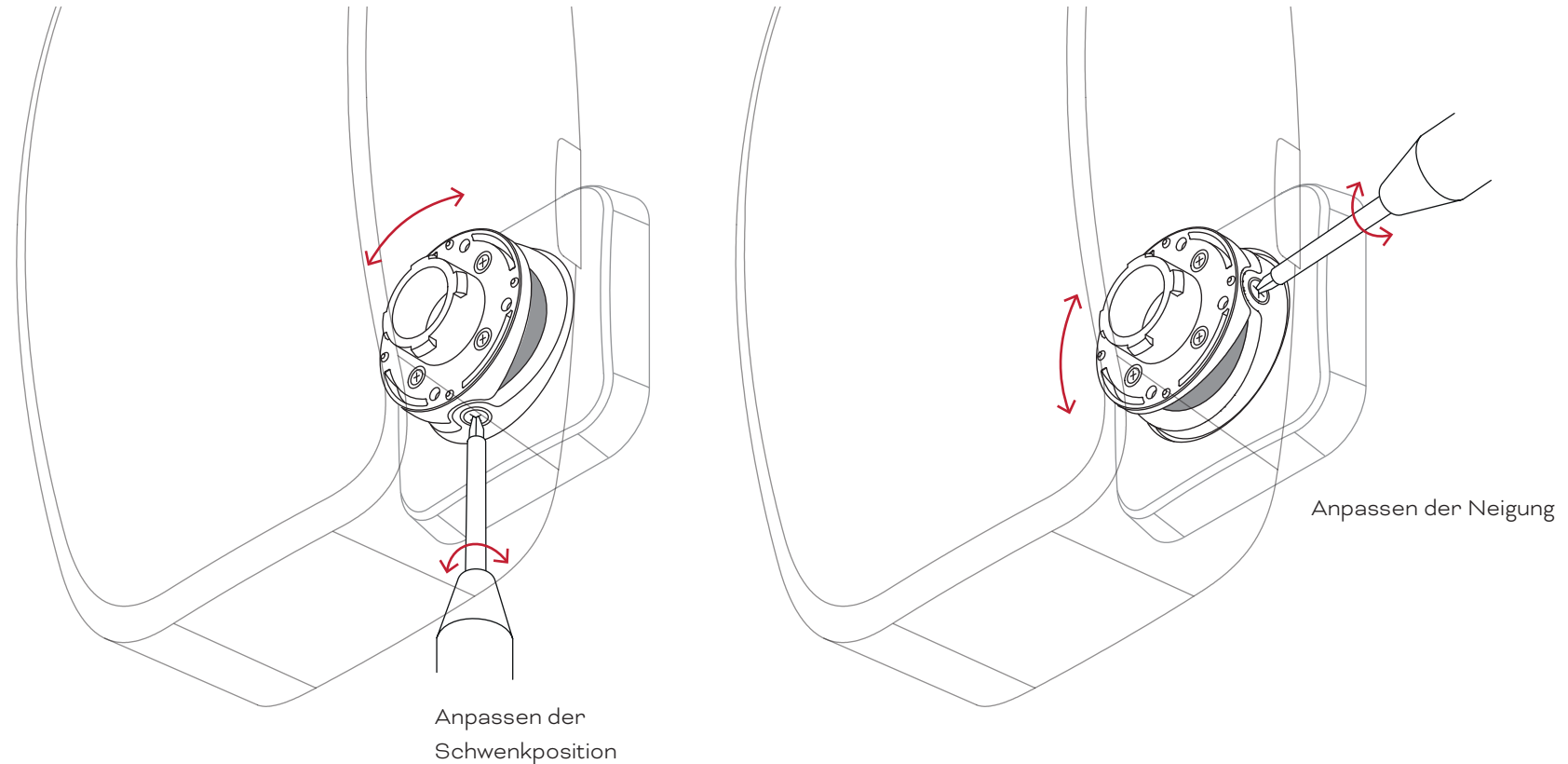
4.2 Anschluss und Installation der Wandhalterung

4.2.8 Einstellung der Schwenk- und Neigeachse

Wenn Sie den GARDIAN OW 6 Lautsprecher sicher an seiner Wandhalterung befestigt und an einen Verstärker angeschlossen haben, können Sie ihn schwenken oder neigen. Zum Schwenken oder Neigen des Lautsprechers lösen Sie die Kreuzkopf-Einstellschraube. Nehmen Sie dann die gewünschte Einstellung vor und ziehen Sie die Schraube wieder fest.

Die Schwenk- und Neigungseinstellung ist in Abbildung 9 dargestellt.

ABBILDUNG 9: GARDIAN OW 6 SCHWENK- UND NEIGEEINSTELLUNG



4.2 Anschluss und Installation der Wandhalterung

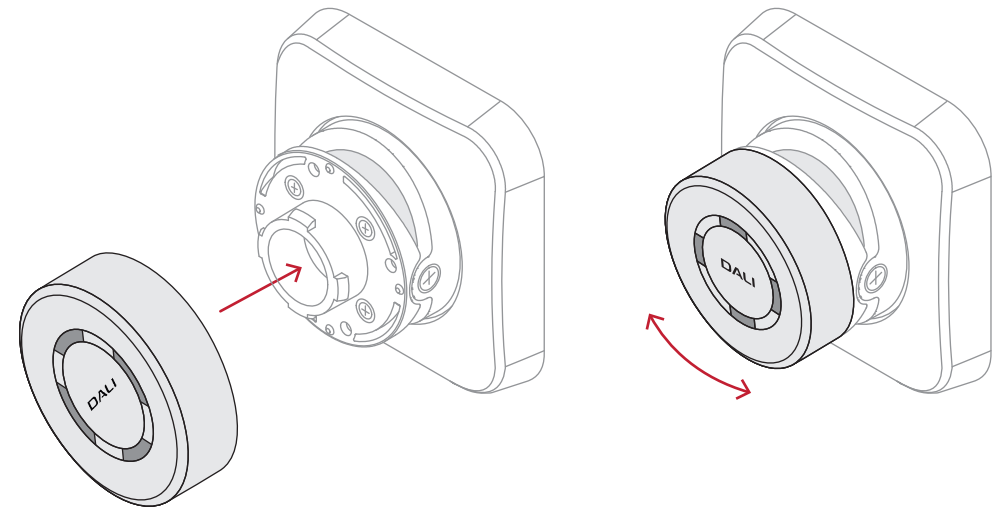
4.2.9 Befestigen der Halterungsschutzvorrichtung

Wenn Wandhalterungen für GARDIAN OW 6 Lautsprecher längere Zeit ohne angebrachte Lautsprecher in Außenbereichen verbleiben, sollten sie durch Halterungsschutzvorrichtungen geschützt werden. Die Halterungsschutzvorrichtung schützt die Verbindungskomponenten innerhalb der Halterung vor äußeren Einflüssen, wenn kein Lautsprecher angeschlossen ist. Halterungsschutzvorrichtungen erhalten Sie bei DALI-Fachhändlern und -Vertriebspartnern.

Um eine Halterungsschutzvorrichtung anzubringen, schieben Sie diese einfach über die Halterungsführung und drehen Sie sie um 45°.

! Die Halterungsschutzvorrichtung ist separat erhältlich.

ABBILDUNG 10: BEFESTIGUNG DER GARDIAN OW 6 HALTERUNGSSCHUTZVORRICHTUNG



Halterungsschutzvorrichtung

4.2 Anschluss und Installation der Wandhalterung

4.2.10 Befestigung des Sicherungsdrahts

Die GARDIAN OW 6-Lautsprecher sind für die Montage in einer Höhe von maximal 2 Metern (78,7 Zoll) vorgesehen. Bei einer Montage in einer Höhe von mehr als 2 Metern muss ein Sicherungsseil am Lautsprecher angebracht werden.

Abbildung 11 zeigt, wie der Sicherungsdraht befestigt wird.

Achten Sie grundsätzlich darauf, dass die GARDIAN OW 6 Lautsprecher nur an Strukturen befestigt werden, die ihr Gewicht problemlos tragen können.

ABBILDUNG 11:
BEFESTIGUNG DES SICHERUNGSDRAHTS



5.0 Installation von Außenlautsprechern

Lautsprecherinstallationen im Außenbereich können die verschiedensten Anwendungen abdecken. Von der allgemeinen Beschallung einer Terrasse über einen Pool, einen Grillplatz, eine Garage bis hin zum Mehrkanalton für ein halboffenes Heimkino.

Aufgrund seiner klanglichen Qualitäten und den vielfältigen Montagemöglichkeiten deckt der GARDIAN OW 6 alle denkbaren Anwendungsbereiche ab – auch für typische Außenbereiche mit unregelmäßigen und suboptimalen Strukturen und Oberflächen. Die Bilder auf dieser Seite veranschaulichen einige der Verwendungsmöglichkeiten.



6.0 Einspielzeit

Ein Lautsprecher benötigt wie jedes mechanische System eine „Einlaufzeit“, damit er seine optimale Leistung erbringen kann. Während der ersten Nutzungsphase werden Sie eine allmähliche Steigerung der Klangqualität feststellen. Diese Einspielzeit variiert je nach Nutzung und Wiedergabelautstärke. Sie sollten mit bis zu 100 Stunden Wiedergabezeit rechnen, bis die maximale Wiedergabequalität erreicht ist. Im Gegensatz zu anderen mechanischen Systemen verlängert sich die Lebensdauer eines Lautsprechers durch die normale, regelmäßige Wiedergabe von Musik.

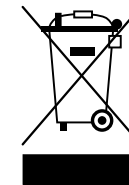
7.0 Reinigung

Da er entsprechend seiner Schutzart wasserdicht ist, kann der GARDIAN OW 6 bei Bedarf mit Wasser abgewaschen werden. Verwenden Sie ein feuchtes Tuch oder eine weiche Bürste. Entfernen Sie nicht das Lautsprecherabdeckung und vermeiden Sie die Verwendung von lösungsmittelhaltigen Reinigungsmitteln. Reinigen Sie den Lautsprecher nicht mit einem gezielten Wasserstrahl oder einem Dampfreiniger.

Lassen Sie den GARDIAN OW 6 danach einfach trocknen. Verwenden Sie keine gerichteten Wärmequellen zum Trocknen.

8.0 Entsorgung

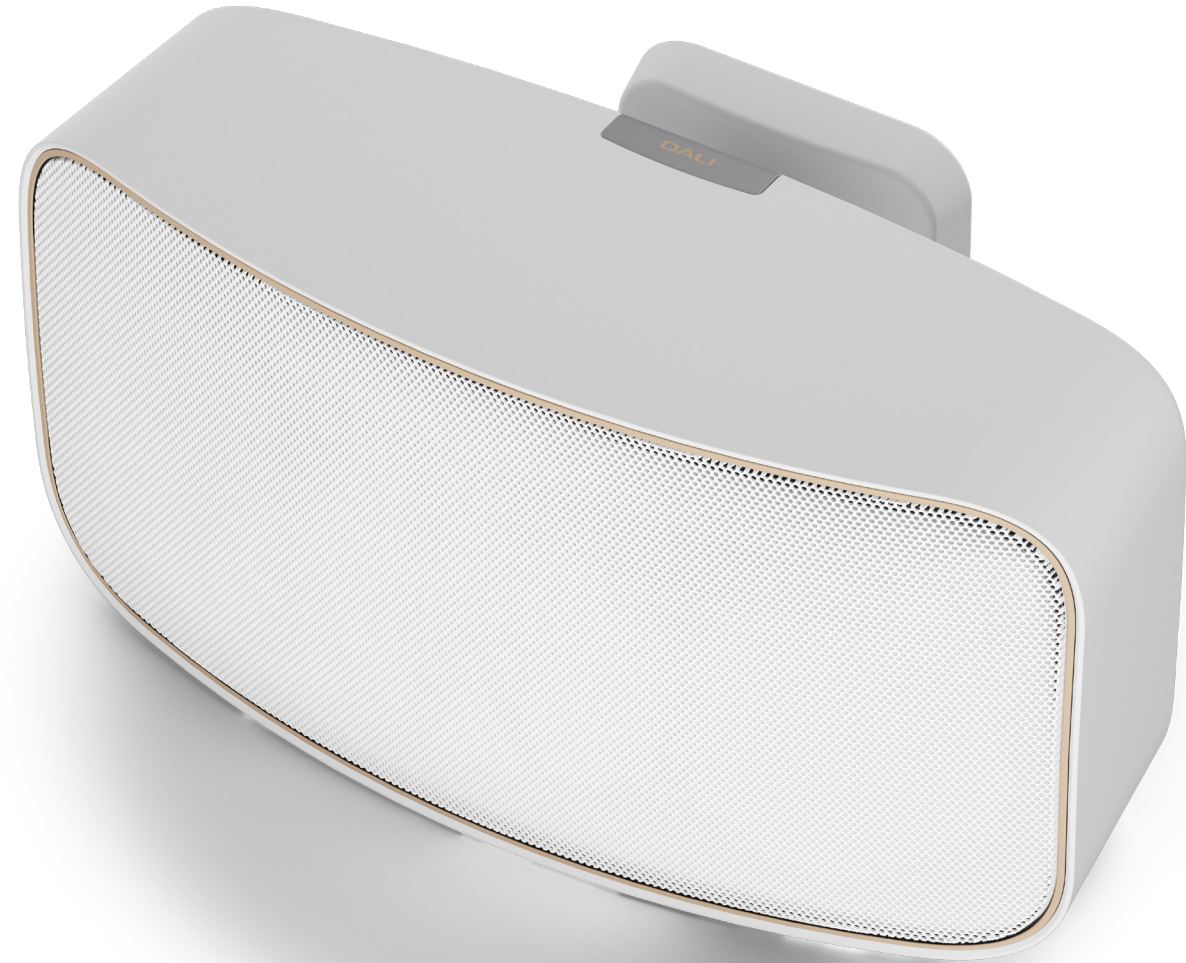
Dieses Produkt enthält elektrische und elektronische Materialien und Komponenten. Wenn diese Materialien nicht ordnungsgemäß entsorgt werden, können sie nachteilige Auswirkungen auf die Umwelt und die menschliche Gesundheit haben. Das Vorhandensein dieses Etiketts am Produkt weist darauf hin, dass es nicht mit dem Haushaltsabfall entsorgt werden darf und separat gesammelt werden muss. Als Verbraucher sind Sie dafür verantwortlich, dass dieses Produkt ordnungsgemäß entsorgt wird.



9.0 Technische Daten

GARDIAN	OW 6
Frequenzbereich	47 bis 25.000 Hz \pm 3dB
Empfindlichkeit	84 dB auf 1 m für 2,83 V
Nennimpedanz	6 Ohm
Maximaler Schalldruck	103 dB
Übergangsfrequenz	2.700 Hz
Frequenzweichtyp	2-Weg
Empfohlene Verstärkerleistung	50 bis 200 Watt
Hochtöner-Chassis	1 x 25 mm Gewebekalotte (koaxial montiert)
Hochtöner-Diaphragma	Weiches Gewebe
Tief- und Mitteltöner-Chassis	1 x 5 Zoll
Tief-/Mitteltönermembran	Polypropylen
Eingangsanschluss	Einzelleitung
Gehäusetyp	Abgestimmtes Massengehäuse 2 x ovale Passivstrahler, 5 Zoll
Weitere Leistungsmerkmale	„Click n' Connect“-Wandhalterung
Installationsort	An der Wand / an der Decke
Empfohlene Platzierung	Decke / Vorne / Mitte / Surround
IP-Bewertung	IP 67
Außenmaße inklusive Lautsprecherabdeckung (H x B x T)	200 x 372 x 206 mm (7,87 x 14,65 x 8,11 Zoll)
Gewicht inklusive Lautsprecherabdeckung	4,08 kg / 9 lbs
Versandgewicht (Paar)	10,4 kg / 22,92 lbs
Ausführungen	Weiß / Schwarz
Im Lieferumfang enthaltenes Zubehör	Wandmontageschablone
Separat erhältliches Zubehör	Wandhalterungsabdeckung

Alle technischen Spezifikationen können ohne vorherige Ankündigung geändert werden.

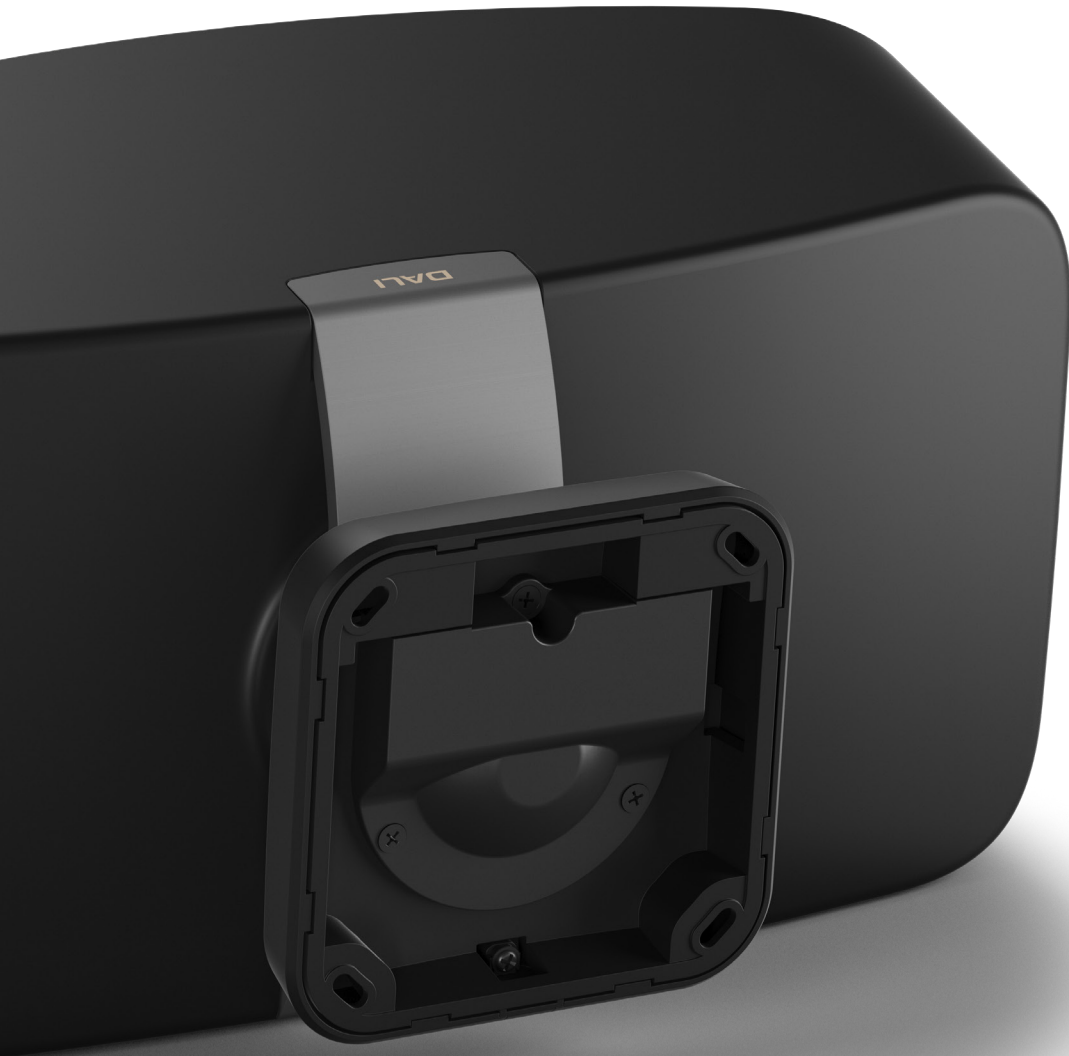


DALI

**DALI
GARDIAN
OW 6**

MANUEL D'INSTALLATION





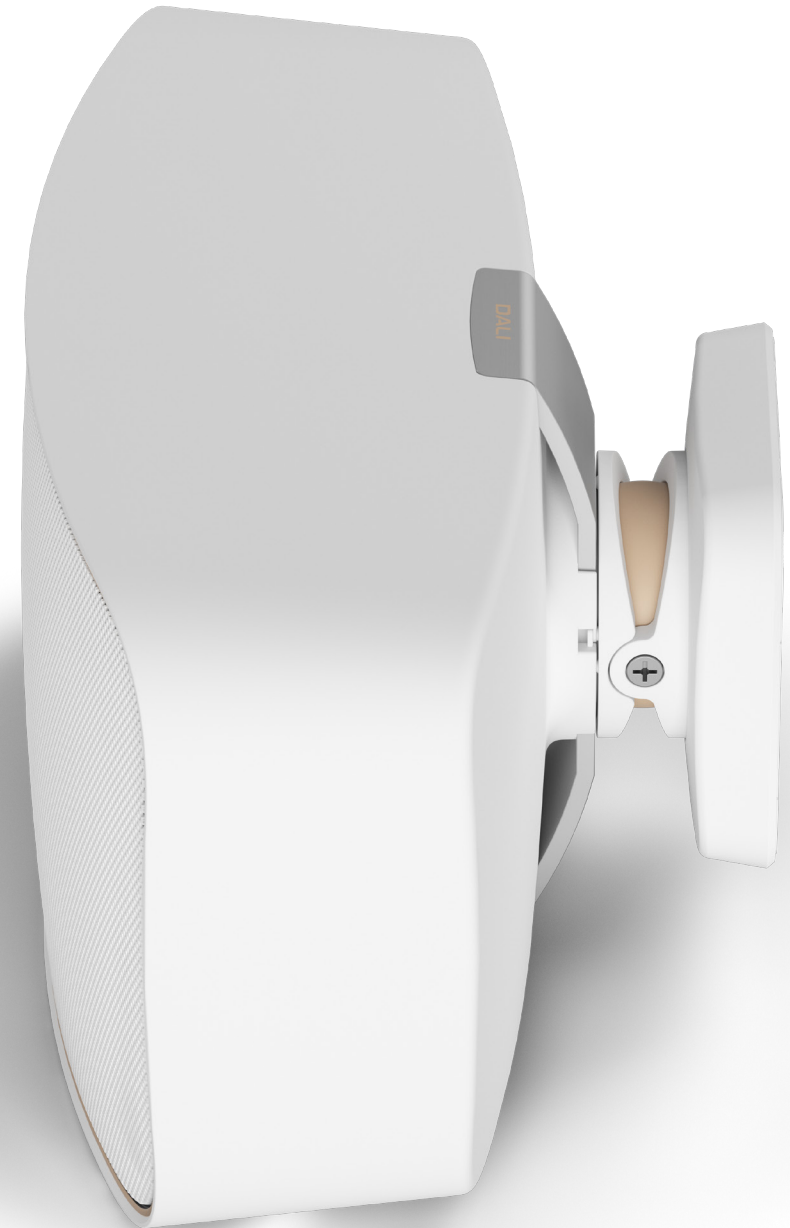
Sommaire

1.0	Introduction	40
2.0	Précautions de sécurité	41
3.0	Déballage	42
4.0	Positionnement et installation	43
4.1	Positionnement	44
4.2	Connexion et installation du support mural	45
4.2.1	Gabarit de montage mural	45
4.2.2	Panoramique et inclinaison	45
4.2.3	Connexions et fixations des supports muraux	46
4.2.4	Fixation du capot de support mural	47
4.2.5	Retrait du capot du support mural	47
4.2.6	Fixation de l'enceinte	48
4.2.7	Démontage de l'enceinte	49
4.2.8	Réglage de l'inclinaison et de panoramique	50
4.2.9	Fixation d'un protecteur de support	51
4.2.10	Fixation du filin de sécurité	52
5.0	Installation d'enceintes en extérieurs	53
6.0	Rodage	54
7.0	Nettoyage	54
8.0	Mise au rebut	54
9.0	Caractéristiques techniques	55

1.0 Introduction

Félicitations pour l'achat de votre nouvelle enceinte murale extérieure DALI GARDIAN OW 6. Le DALI GARDIAN OW 6 est conçu pour être utilisé là où un son de haute qualité est requis dans des lieux extérieurs et en toute saison. Le GARDIAN OW 6 est classé IP67 pour ce qui concerne la pénétration de poussière et d'eau et convient à une utilisation à des températures comprises entre -20°C et +70°C. Il comprend un support de montage et de connexion Click n' Connect qui permet une orientation paysage ou portrait et intègre des options simples d'alignement panoramique ou d'inclinaison.

Afin de profiter au maximum de votre DALI GARDIAN OW 6, veuillez lire attentivement ce manuel avant de débiller et d'installer les enceintes. Vous trouverez plus d'informations sur notre site Internet : www.dali-speakers.com ou en contactant votre revendeur DALI agréé.





2.0 Précautions de sécurité

- Veuillez toujours à respecter toute les consignes de sécurité.
- Il est recommandé que votre Gardian OW 6 soit installé par des techniciens compétents pour des installations audio professionnelles.
- Assurez-vous toujours que les enceintes GARDIAN OW 6 sont fixées uniquement à des structures capables de supporter aisément leur poids.
- Assurez-vous qu'aucune installation de service telle que des câbles électriques ou de données, des conduites de gaz ou d'eau ou des conduits de ventilation sont présents dans la structure, à l'emplacement de montage du GARDIAN OW 6.
- Assurez-vous que l'amplificateur est éteint lors de la connexion des câbles aux enceintes GARDIAN OW 6.
- Si plusieurs DALI GARDIAN OW 6 sont connectés en parallèle au même canal de sortie d'amplificateur, vous devez consulter les spécifications techniques de votre amplificateur pour vous assurer que l'amplificateur peut gérer la charge. Si vous avez besoin d'une assistance supplémentaire, veuillez contacter votre revendeur ou installateur DALI agréé.
- L'utilisation prolongée de haut-parleurs à un volume élevé peut causer des dommages auditifs. N'augmentez pas le volume au-delà d'un niveau confortable.
- Les enceintes GARDIAN OW 6 sont destinées à être montées à une hauteur maximale de 2 mètres / 78,7 pouces. Le montage à plus de 2 mètres nécessite la fixation d'un filin de sécurité à l'enceinte. Voir la section 4.2.10.

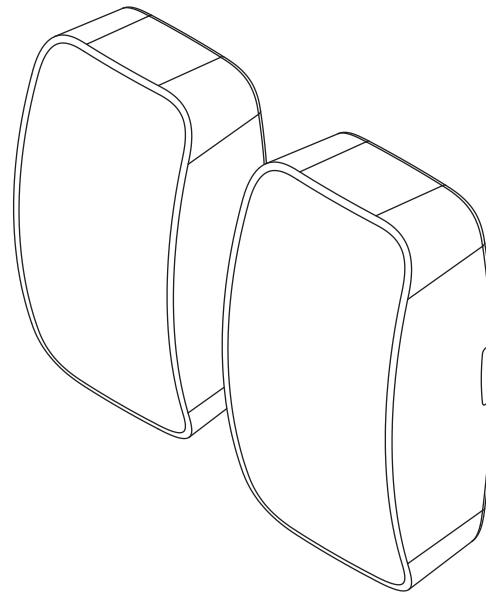
3.0 Déballage

Veillez à ne pas endommager le contenu de la boîte lors du déballage du GARDIAN OW 6. Une fois le déballage terminé, vérifiez que tous les composants répertoriés et illustrés dans le diagramme 1 sont présents.

Nous vous recommandons de conserver les matériaux d'emballage au cas où le GARDIAN OW6 devrait être déplacé. Si toutefois les matériaux d'emballage doivent être jetés, veuillez vous assurer qu'ils sont éliminés de manière responsable et si possible recyclés.

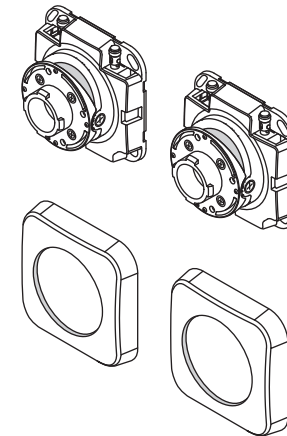
DIAGRAMME 1: CONTENU DE L'EMBALLAGE DU GARDIAN OW 6

2 x DALI GARDIAN OW 6

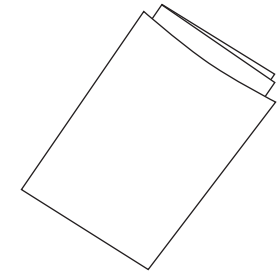


2 x support mural

2 x capot de support mural



1 x jeu de documents :



4.0 Positionnement et installation

Le GARDIAN OW 6 est une enceinte murale passive destinée à une utilisation en extérieur ou en intérieur à forte humidité. Il offre des performances d'étanchéité et de résistance à la poussière classées IP67 et peut être utilisé à des températures allant de -20°C à +70°C.

Le GARDIAN OW 6 est fourni avec un support mural Click n' Connect qui intègre des fonctions de connexion d'enceinte. Les bornes de connexion de l'amplificateur sont situées à l'intérieur du support et l'enceinte se connecte automatiquement lorsqu'elle est accrochée.

Le support mural GARDIAN OW 6 permet un réglage panoramique ou d'inclinaison afin que les enceintes montées au-dessus ou sur le côté de la zone d'écoute puissent être inclinées pour diriger leur sortie selon les besoins. Le support mural peut également accueillir des options d'installation de l'enceinte en mode portrait ou paysage et, grâce à ses haut-parleurs disposés de manière concentrique, les caractéristiques

de dispersion du GARDIAN OW 6 restent cohérentes dans les deux orientations. Cela améliore considérablement la polyvalence d'installation du GARDIAN OW 6.

Les emplacements de montage du GARDIAN OW 6 doivent être choisis de manière appropriée à l'environnement et au type d'installation.

Les paragraphes suivants décrivent les instructions générales de positionnement du GARDIAN OW 6. L'utilisation du support mural GARDIAN OW 6 est illustrée et décrite dans la section 4.2 et les sections suivantes.

Installations stéréo

Les installations stéréo doivent généralement suivre les règles conventionnelles avec une paire d'enceintes situées en deux points sommets d'un triangle équilatéral qui comprend la zone d'écoute principale à son troisième sommet. Si les enceintes sont

montées nettement au-dessus de la position d'écoute, elles peuvent être inclinées vers le bas. Le champ de dispersion large du GARDIAN OW 6 évite de devoir « orienter » les enceintes vers la zone d'écoute centrale.

Installations pour ambiance sonore

Pour les applications destinées à la distribution d'une ambiance de fond, les emplacements de montage du GARDIAN OW 6 doivent être espacés pour garantir une couverture cohérente sur la zone requise. Si les enceintes sont montées nettement au-dessus de la position d'écoute, elles peuvent être inclinées vers le bas. Il est préférable d'alimenter les enceintes d'ambiance avec un son mono plutôt que stéréo.

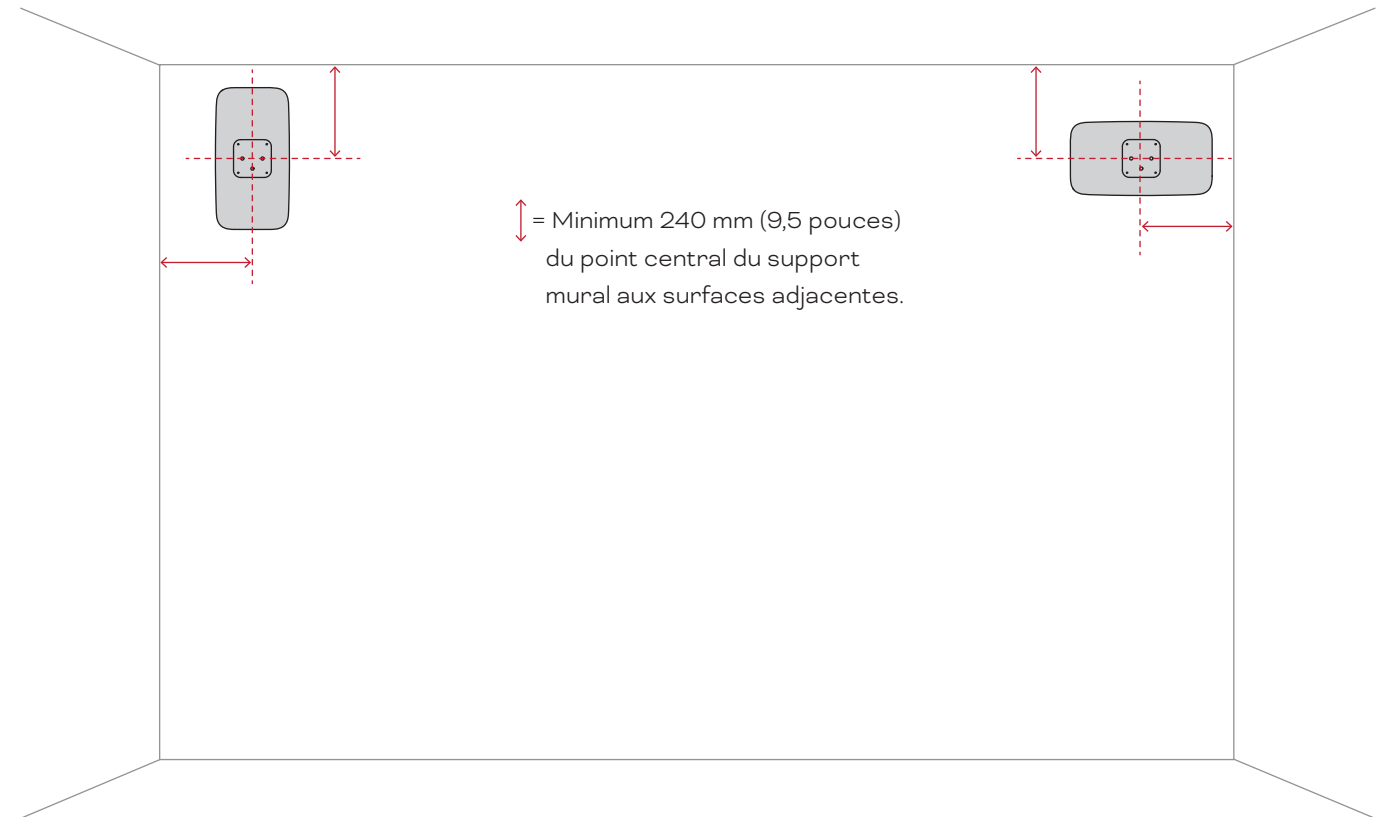
! Comme pour toute enceinte passive, l'emplacement du DALI GARDIAN OW 6 à proximité des coins accentuera les basses. Les fonctions d'égalisation de l'amplificateur peuvent être utilisées pour compenser l'amplification des basses fréquences du aux montage proche des coins.

4.1 Positionnement

Pour pouvoir fixer par clic les enceintes GARDIAN OW 6 sur les supports muraux, elles doivent être installées à une distance minimale des murs latéraux ou des plafonds. La distance minimale est indiquée dans le diagramme 2.

Pour un montage correct, veuillez utiliser le gabarit de montage mural inclus dans l'emballage.

DIAGRAMME 2 : ESPACE DE MONTAGE POUR LE GARDIAN OW 6

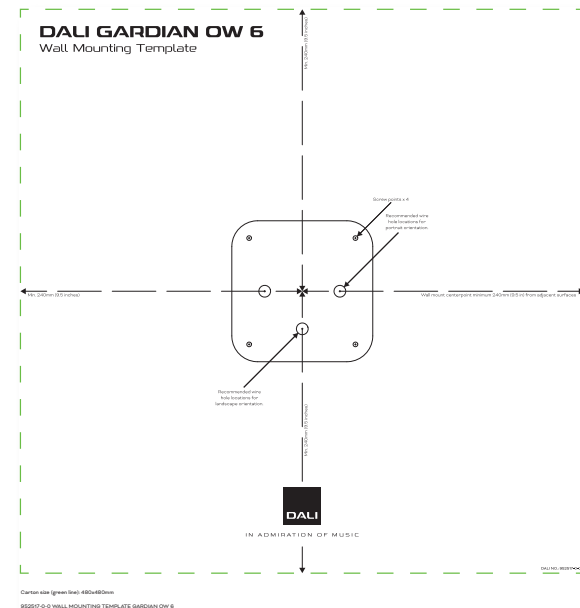


4.2 Connexion et installation du support mural

4.2.1 Gabarit de montage mural

Avant de commencer l'installation du support mural GARDIAN OW 6, utilisez le gabarit de montage mural fourni pour trouver une position de montage correcte. Le gabarit de montage mural se trouve dans l'emballage.

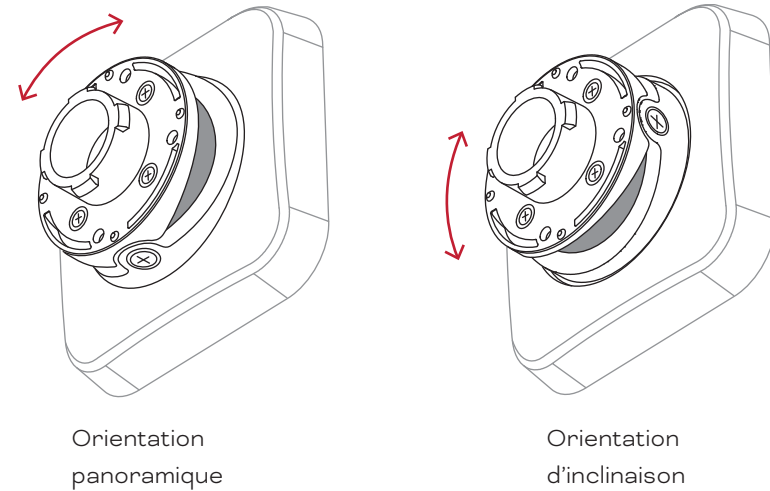
DIAGRAMME 3 : GABARIT DE MONTAGE MURAL DU GARDIAN OW6



4.2.2 Panoramique et inclinaison

Pour une utilisation du réglage d'inclinaison ou de panoramique des enceintes GARDIAN OW 6 en fonction des besoins, le support mural doit être monté avec la bonne orientation. L'orientation du support panoramique ou inclinable est illustrée dans le diagramme 4.

DIAGRAMME 4 : ORIENTATION PANORAMIQUE ET D'INCLINAISON DU SUPPORT MURAL GARDIAN OW 6



4.2 Connexion et installation du support mural

4.2.3 Connexions et fixations des supports muraux

Une fois le capot du support mural retiré, connectez l'amplificateur aux bornes à ressort du support mural GARDIAN OW 6 à l'aide d'un câble de haut-parleur approprié. Connectez la borne positive de l'amplificateur (+) à la borne positive du support mural (rouge) et la borne négative de l'amplificateur (-) à la borne négative du support mural (noir). Utilisez toujours un câble de haut-parleur à faible résistance et de haute qualité. La connexion des câbles de haut-parleur est illustrée dans le diagramme 5.

! Assurez-vous que l'amplificateur est éteint lorsque vous effectuez les connexions des câbles de haut-parleurs.

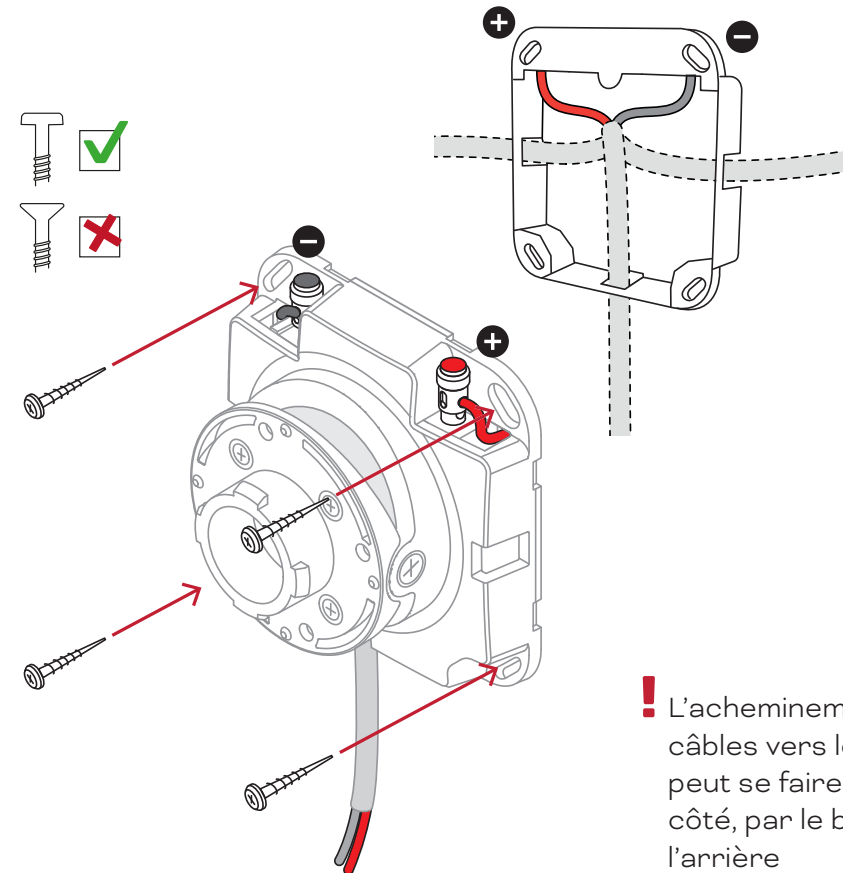
Fixez le support mural GARDIAN OW 6 au mur ou à une autre structure à l'aide de quatre vis et autres fixations murales appropriées si nécessaire. Assurez-vous toujours que la structure sur laquelle les enceintes et les supports muraux GARDIAN OW 6 sont fixés est capable de supporter facilement leur poids.

! Si vous doutez de votre capacité à fixer solidement les supports muraux GARDIAN OW 6, vous devez demander l'aide d'un professionnel qualifié.

! Pour éviter d'endommager le support mural lors de sa fixation, il est recommandé d'utiliser des vis à tête ronde et à fond plat. Les vis à tête fraisée (à fond conique) peuvent endommager les trous du support.

La connexion et la fixation du support mural sont illustrées dans le diagramme 6.

DIAGRAMME 5 : FIXATION ET CONNEXIONS DU SUPPORT MURAL GARDIAN OW 6



! L'acheminement des câbles vers les borniers peut se faire de chaque côté, par le bas ou par l'arrière

4.2 Connexion et installation du support mural

4.2.4 Fixation du capot de support mural

Lorsqu'un support mural est connecté et solidement fixé à un mur, son capot peut être remis en place. Appuyez sur le capot jusqu'à ce qu'il s'enclenche.

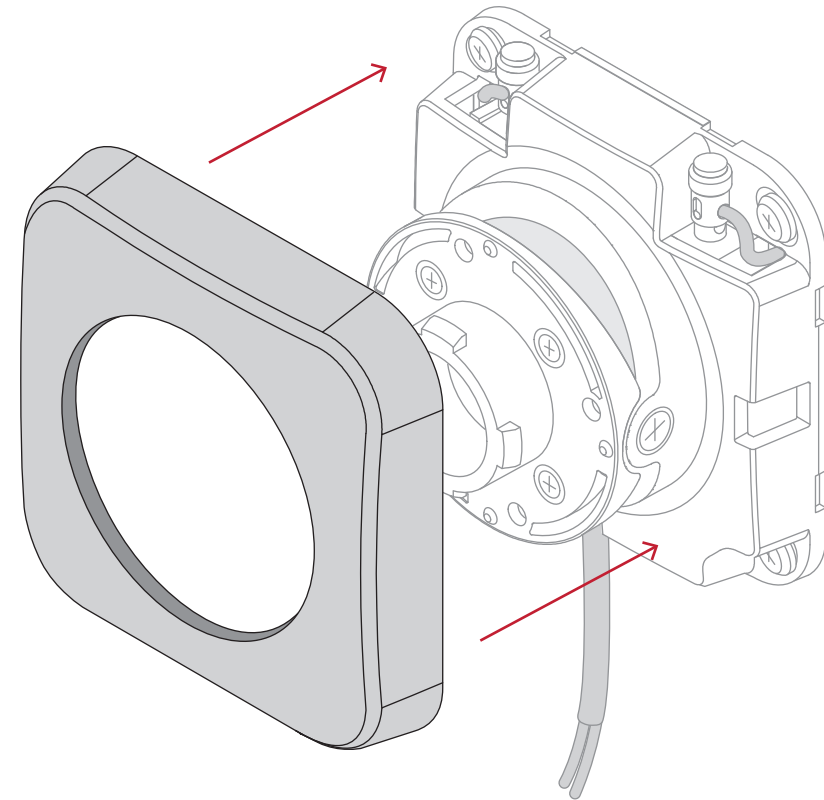
La fixation du capot du support mural est illustrée dans le diagramme 6.

4.2.5 Retrait du capot du support mural

Pour retrouver l'accès aux bornes de connexion et aux trous de fixation du support mural, le capot du support doit être retiré. Saisissez simplement le capot et tirez-le du corps du support mural.

Un tournevis à tête plate peut être utile pour aider à retirer le capot.

DIAGRAMME 6 : REMPLACEMENT DU CAPOT DU SUPPORT MURAL GARDIAN OW 6



4.2 Connexion et installation du support mural

4.2.6 Fixation de l'enceinte

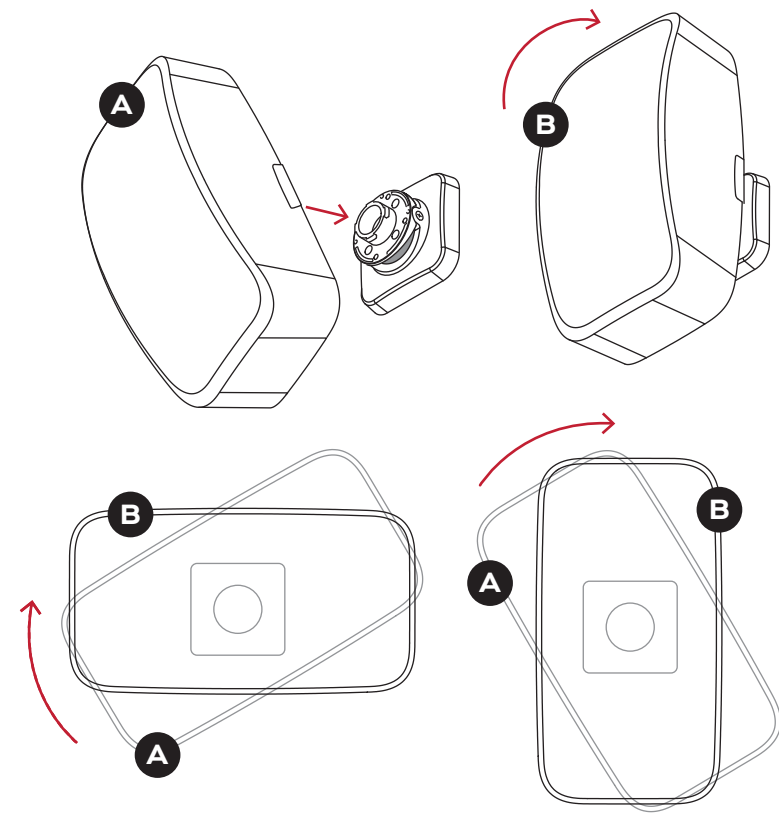
Une fois qu'un support mural est connecté à un amplificateur, solidement fixé en place et que son capot de support est en place, une enceinte GARDIAN OW 6 peut être fixée. La procédure de fixation pour une orientation paysage ou portrait de l'enceinte est la même.

Pour fixer une enceinte, présentez-la face au support à un angle de rotation d'environ 20° **A** et insérez le poteau de fixation de l'enceinte dans l'ouverture du support mural. Lorsque le poteau est complètement inséré, faites pivoter l'enceinte dans le sens des aiguilles d'une montre vers la perpendiculaire **B**. L'enceinte se clipse et se connecte en place lorsqu'elle atteint la perpendiculaire.

La procédure de fixation de l'enceinte GARDIAN OW 6 est illustrée dans le diagramme 7.

! Si les supports GARDIAN OW 6 doivent être laissés sans enceintes fixées pendant une période prolongée, des protecteurs de support doivent être installés. Les protecteurs de support sont disponibles auprès des revendeurs et distributeurs DALI. La section 4.2.9 décrit l'utilisation des protecteurs de support.

DIAGRAMME 7 : FIXATION CLICK N' CONNECT DE L'ENCEINTE GARDIAN OW 6



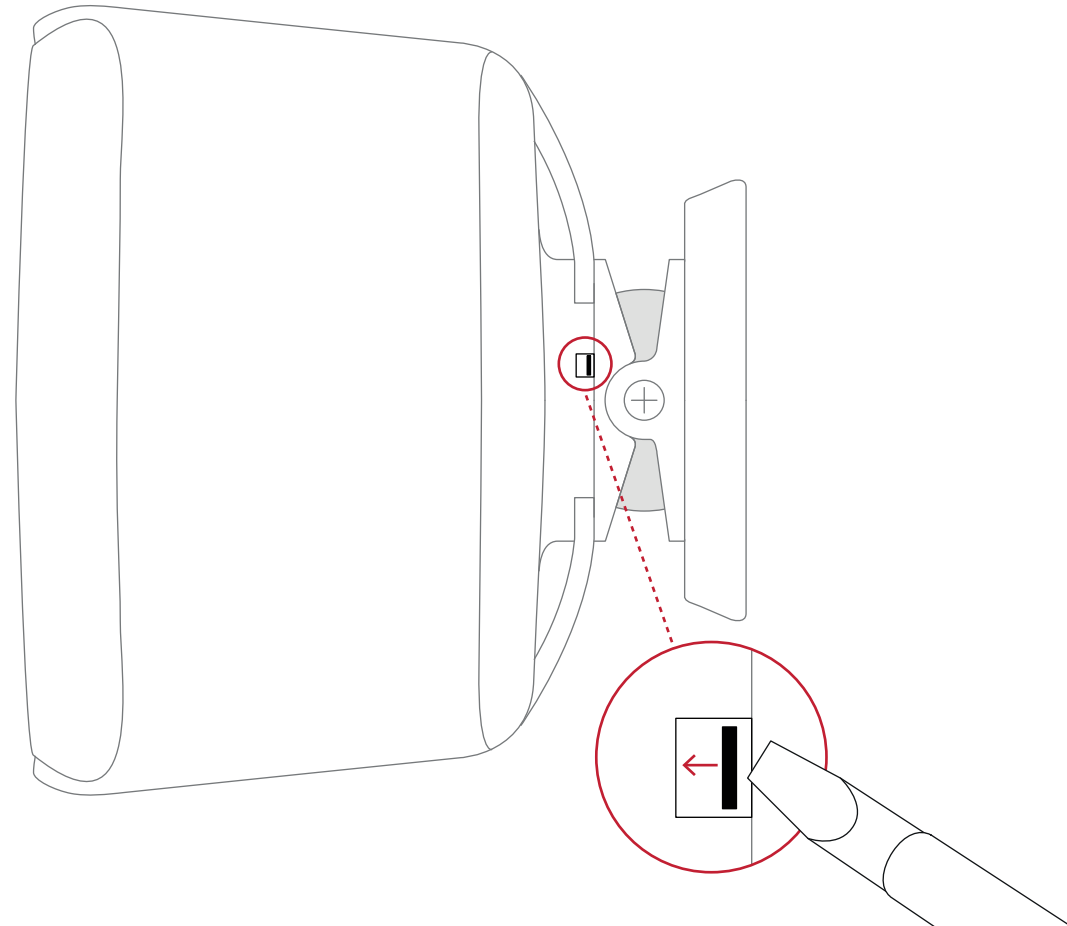
4.2 Connexion et installation du support mural

4.2.7 Démontage de l'enceinte

Le démontage d'un GARDIAN OW 6 de son support s'effectue en suivant la procédure inverse de la fixation. Utilisez un tournevis à tête plate pour pousser la petite goupille de déverrouillage derrière l'enceinte et faites pivoter l'enceinte d'environ 20° dans le sens inverse des aiguilles d'une montre puis retirez-la du support.

La procédure de démontage de l'enceinte GARDIAN OW 6 est illustrée dans le diagramme 8.

DIAGRAMME 8 : DÉMONTAGE DU GARDIAN OW 6 DU SUPPORT



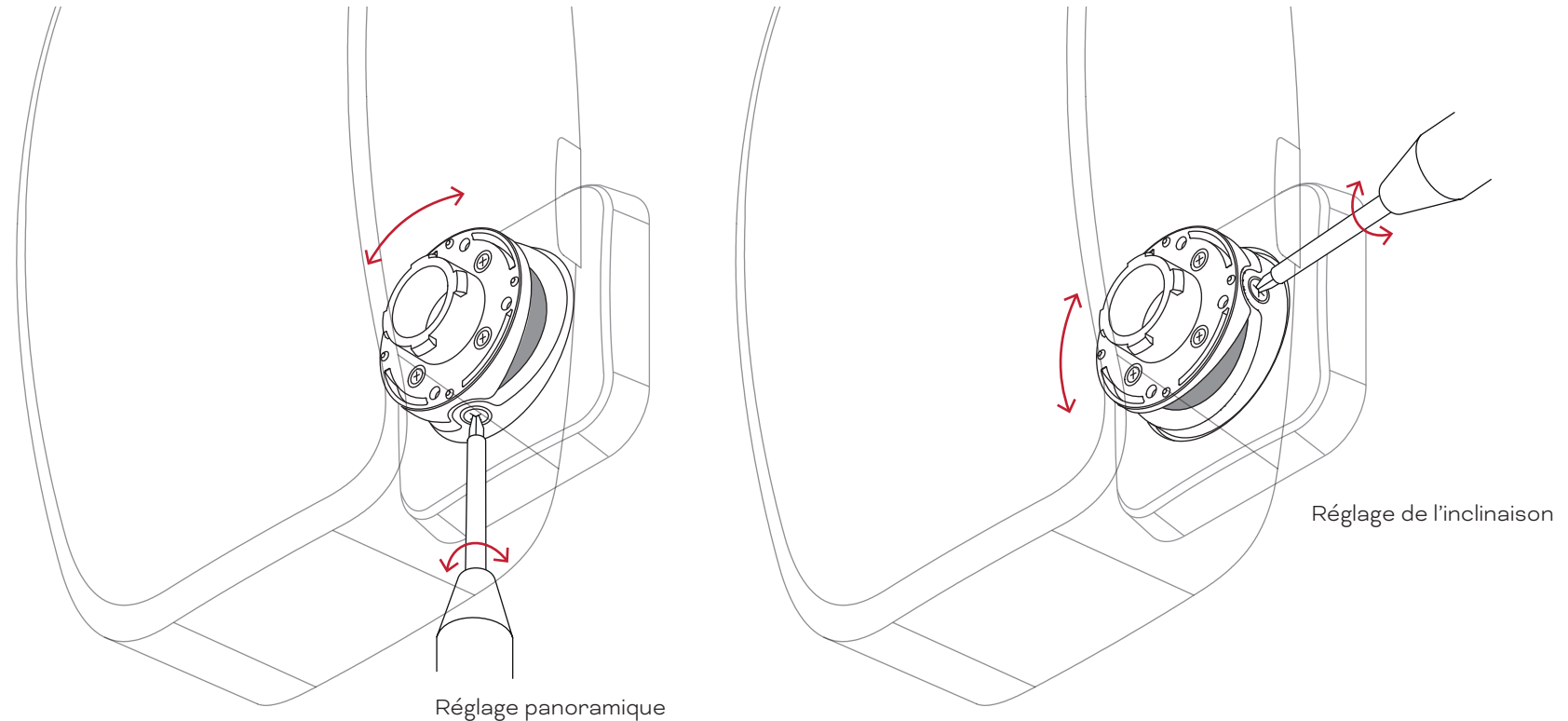
4.2 Connexion et installation du support mural

4.2.8 Réglage de l'inclinaison et de panoramique

Lorsque l'enceinte GARDIAN OW 6 est solidement fixée à son support mural et connectée à un amplificateur, ses réglages de panoramique ou d'inclinaison peuvent être effectués. Pour régler le panoramique ou l'inclinaison, desserrez simplement la vis de réglage de la traverse, effectuez le réglage requis puis resserrez la vis.

Le réglage du panoramique et de l'inclinaison est illustré dans le diagramme 9.

DIAGRAMME 9 : RÉGLAGE PANORAMIQUE ET D'INCLINAISON DE LA GARDIAN OW 6



4.2 Connexion et installation du support mural

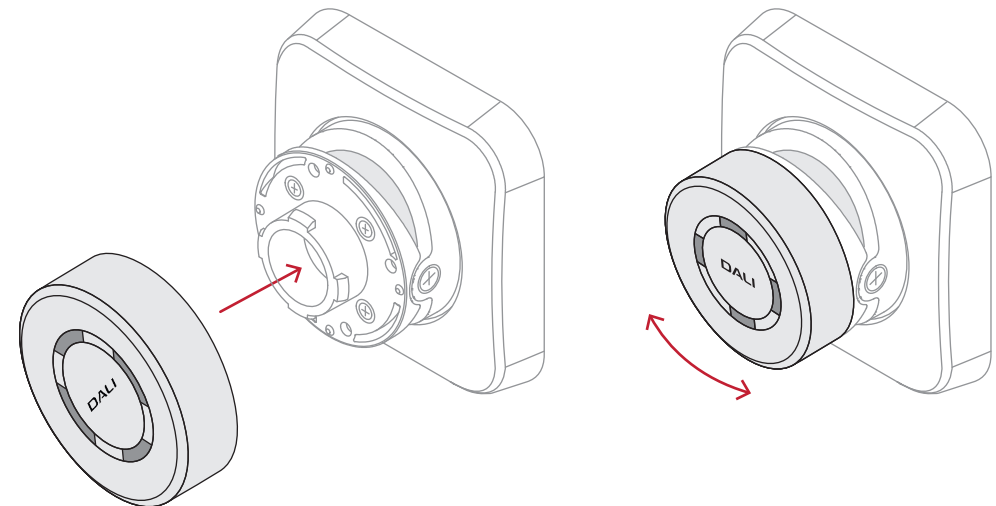
4.2.9 Fixation d'un protecteur de support

Si les supports GARDIAN OW 6 doivent être laissés à l'extérieur sans enceintes fixées pendant une période prolongée, des protecteurs de support doivent être installés. Les protecteurs de support protègent de l'environnement extérieur les composants de connexion à l'intérieur du support, lorsqu'aucune enceinte n'est fixée. Les protecteurs de support sont disponibles auprès des revendeurs et distributeurs DALI.

Pour fixer un protecteur de support, poussez-le simplement sur le montant du support et faites-le pivoter de 45°.

! Le protecteur de support est vendu en tant qu'accessoire.

DIAGRAMME 10 : FIXATION D'UN PROTECTEUR DE SUPPORT GARDIAN OW 6



Protecteur de support

4.2 Connexion et installation du support mural

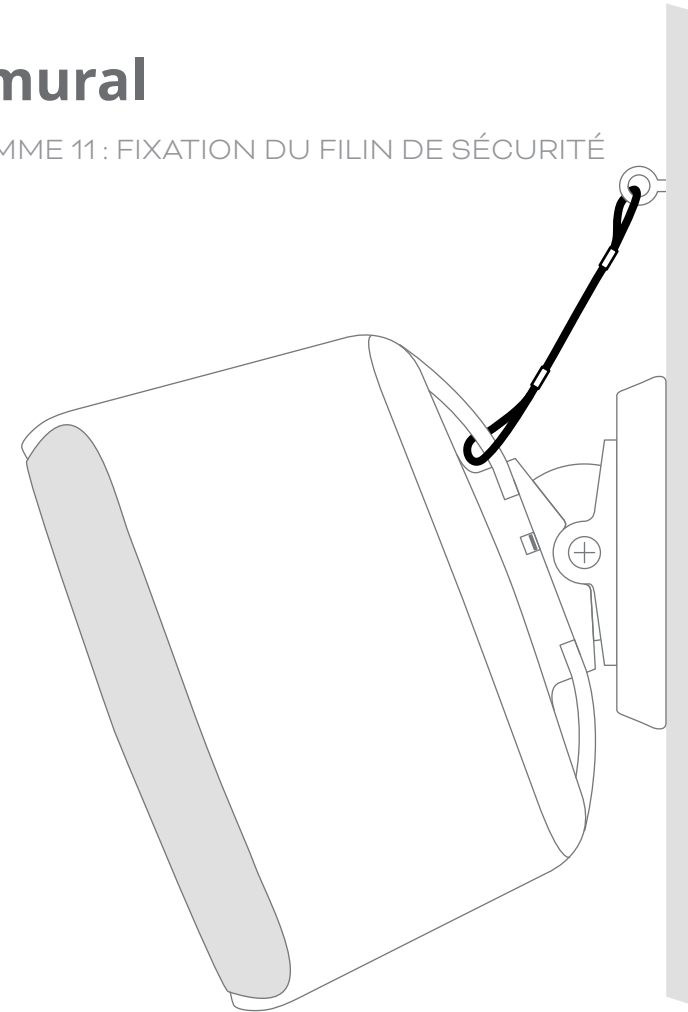
4.2.10 Fixation du filin de sécurité

Les enceintes GARDIAN OW 6 sont destinées à être montées à une hauteur maximale de 2 mètres / 78,7 pouces. Le montage à plus de 2 mètres nécessite la fixation d'un filin de sécurité à l'enceinte.

Le schéma 11 montre comment attacher le filin de sécurité.

Assurez-vous toujours que les enceintes GARDIAN OW 6 sont fixées uniquement à des structures capables de supporter aisément leur poids.

DIAGRAMME 11: FIXATION DU FILIN DE SÉCURITÉ



5.0 Installation d'enceintes en extérieurs

Les installations d'enceintes en extérieurs peuvent couvrir une grande variété de contextes. Pour une couverture audio générale sur une terrasse extérieure par exemple, pour une piscine, autour d'un barbecue, dans un garage, ou peut-être même pour des tâches audio multicanaux dans un home cinéma semi-fermé.

Le GARDIAN OW 6 offre toute la polyvalence nécessaire pour s'adapter aux supports de montage disponibles et permettre d'optimiser chaque installation extérieure, même dans un contexte extérieur proposant des structures et des surfaces de montage irrégulières et peut-être inadaptées. Les images sur cette page illustrent quelques-unes des possibilités.



6.0 Rodage

Comme tout système mécanique, une enceinte nécessite une période de « rodage » pour fonctionner de manière optimale. Vous constaterez une augmentation progressive de la qualité sonore au cours de la première période d'utilisation. La période de rodage varie en fonction de l'utilisation et du volume de lecture. Vous devez compter jusqu'à 100 heures de lecture jusqu'à ce que les performances maximales soient atteintes. Contrairement à d'autres systèmes mécaniques, la durée de vie d'une enceinte est augmentée par une lecture normale et régulière de la musique.

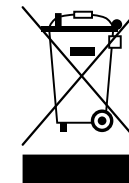
7.0 Nettoyage

Grâce à ses caractéristiques d'étanchéité, le GARDIAN OW 6 peut être lavé à l'eau si nécessaire. Utilisez un chiffon humide ou une brosse douce. Ne retirez pas la grille de l'enceinte et évitez d'utiliser des produits de nettoyage à base de solvants. N'utilisez pas de jets d'eau dirigés sur l'enceinte ni de nettoyeurs à vapeur.

Laissez sécher le GARDIAN OW 6 à l'air libre. N'utilisez aucune source de chaleur dirigée sur l'enceinte.

8.0 Mise au rebut

Ce produit contient des matériaux électriques ou électroniques. La présence de ces matériaux peut, s'ils ne sont pas éliminés correctement, avoir des effets néfastes sur l'environnement et la santé humaine. La présence de cette étiquette sur le produit signifie qu'il ne doit pas être jeté avec les déchets non triés et doit être collecté séparément. En tant que consommateur, vous devez vous assurer que ce produit est éliminé correctement.



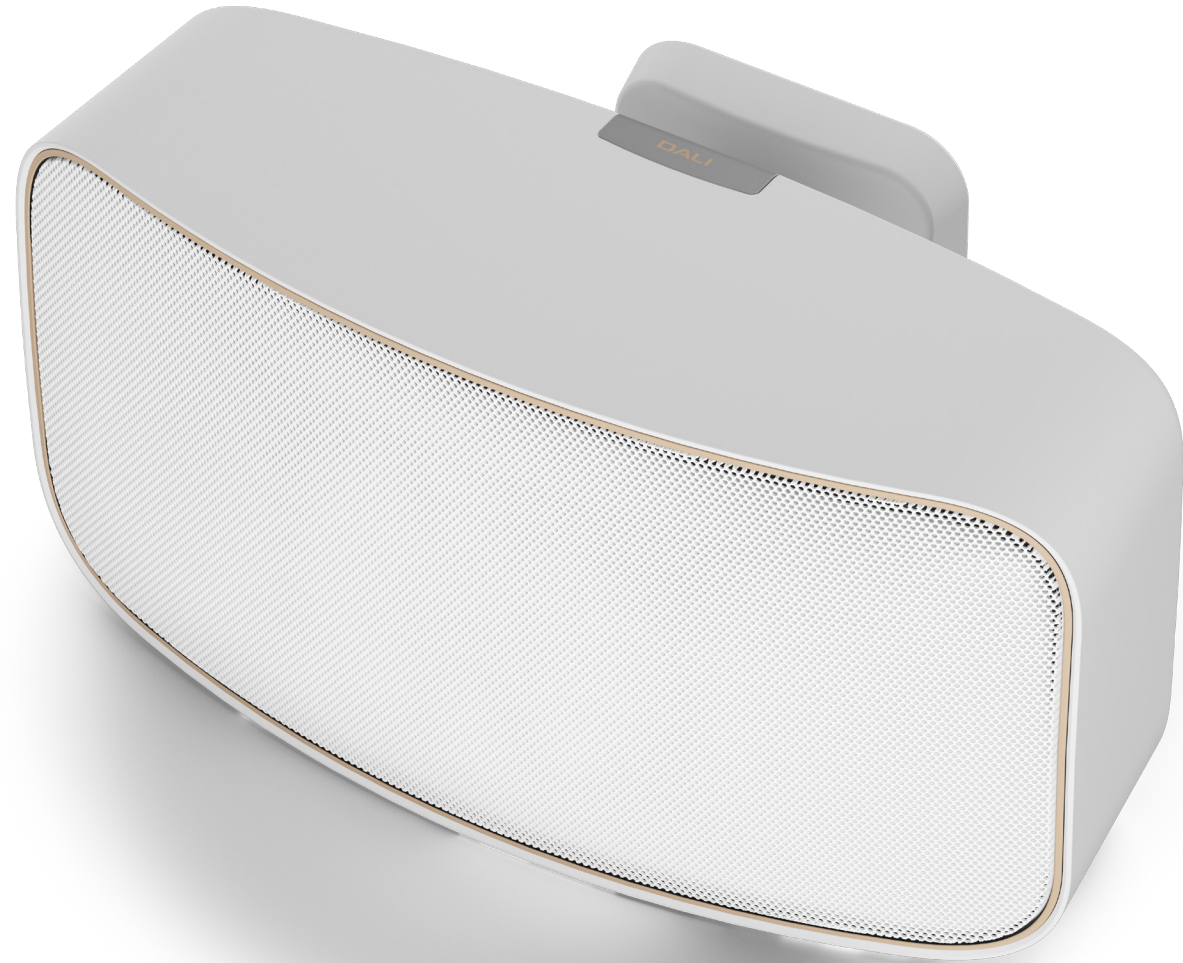
9.0 Caractéristiques techniques

GARDIAN

OW 6

Plage de fréquences	47 - 25 000 Hz +/- 3 dB
Sensibilité	84 dB à 1 m pour 2,83 V
Impédance nominale	6 Ohm
SPL maximum	>103 dB
Fréquence de coupure	2.700 Hz
Principe de filtrage	2 voies
Puissance d'amplificateur recommandée	50 - 200 watts
Haut-parleur haute fréquence	1 dôme souple de 25 mm (monté en coaxial)
Diaphragme haute fréquence	Tissu souple
Haut-parleur(s) de fréquences médiums / basses	1 x 5 pouces
Diaphragme de fréquences médiums / basses	Polypropylène
Connexion d'entrée	Mono-filaire
Type de boîtier	Enceinte de masse accordée 2 radiateurs passifs de 5 pouces (ovales)
Autres caractéristiques	Support mural Click n' Connect
Emplacement d'installation	Au mur / Au plafond
Placement recommandé	Plafond / Avant / Centre / Surround
Classement IP	IP 67
Dimensions extérieures grille incluse (H x L x P)	200 x 372 x 206 mm (7,87 x 14,65 x 8,11 pouces)
Poids grille incluse	4,08 kg / 9 lbs
Poids de transport (paire)	10,4 kg / 22,92 lbs
Finition	Blanc / Noir
Accessoires inclus	Gabarit de montage mural
Accessoires optionnels	Capot de support mural

Toutes les spécifications techniques peuvent être modifiées sans préavis.

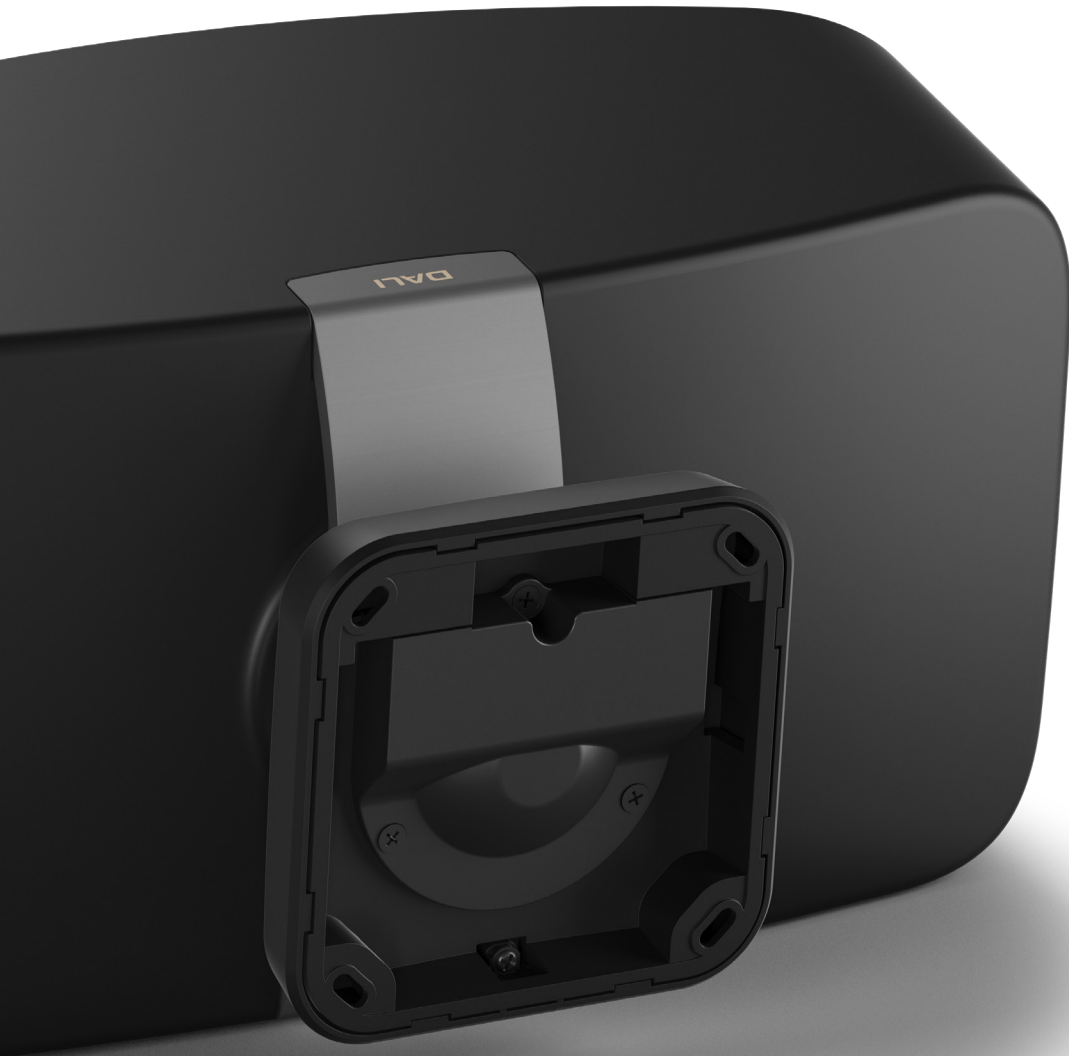


DALI

**DALI
GARDIAN
OW 6**

MANUAL DE INSTALACIÓN





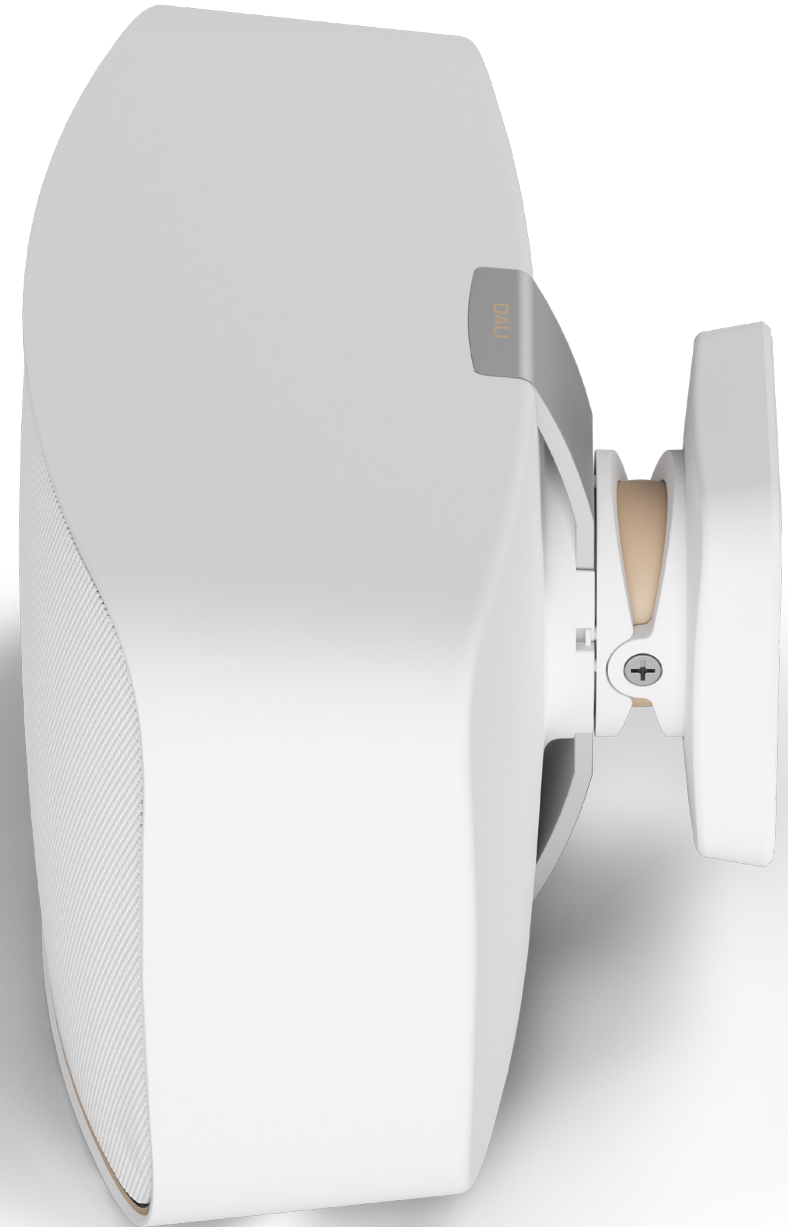
Índice

1.0	Introducción	58
2.0	Precauciones de seguridad	59
3.0	Desembalaje	60
4.0	Colocación e Instalación	61
4.1	Colocación	62
4.2	Conexión e instalación del soporte de pared	63
4.2.1	Plantilla para montaje en pared	63
4.2.2	Giro e inclinación	63
4.2.3	Conexiones y fijación del soporte de pared	64
4.2.4	Colocación del embellecedor de soporte de pared	65
4.2.5	Retirada del embellecedor de soporte de pared	65
4.2.6	Fijación de altavoz	66
4.2.7	Separación de altavoz	67
4.2.8	Ajuste girado o inclinado	68
4.2.9	Fijación del protector de soporte	69
4.2.10	Fijación de línea de seguridad	70
5.0	Instalación de altavoces en exteriores	71
6.0	Rodaje	72
7.0	Limpieza	72
8.0	Eliminación	72
9.0	Especificaciones técnicas	73

1.0 Introducción

Felicidades por la compra de sus nuevos altavoces de montaje en pared para exteriores DALI GARDIAN OW 6. Los DALI GARDIAN OW 6 han sido diseñados para ser usados durante todo el año en ubicaciones en exteriores en las que se necesite un audio de alta calidad. Los GARDIAN OW 6 disponen de certificación IP67 en cuanto a entrada de polvo y agua y puede usarlos en temperaturas entre -20° y +70° C. Incluyen un soporte de montaje y conexión Click n' Connect que permite orientarlos en horizontal o vertical e incorporan sencillas opciones de alineamiento inclinado o girado.

Lea completa y detenidamente este manual antes de desembalar e instalar su nuevo DALI GARDIAN OW 6 para así poder sacar el máximo partido a su compra. Puede encontrar más información en nuestro sitio web: www.dali-speakers.com o contactando con su distribuidor oficial DALI.





2.0 Precauciones de seguridad

- Cumpla siempre con todas las precauciones de seguridad.
- Recomendamos que su GARDIAN OW 6 sea instalado únicamente por instaladores profesionales de audio.
- Asegúrese siempre de que los altavoces GARDIAN OW 6 sean fijados únicamente a estructuras que puedan soportar fácilmente su peso.
- Asegúrese de que no haya instalaciones de servicios básicos tales como cables eléctricos o de datos, conducciones de gas o agua o conductos de ventilación en la pared en la que vaya a instalar el GARDIAN OW 6.
- Asegúrese de que a la hora de conectar los cables el amplificador que vaya a dar señal a los altavoces GARDIAN OW 6 esté apagado.
- Si hay más de un DALI GARDIAN OW 6 conectado en paralelo al mismo canal de salida del amplificador, consulte las especificaciones técnicas del amplificador para asegurarse de que es capaz de soportar esa carga. Si necesita más ayuda, póngase en contacto con su instalador o distribuidor autorizado DALI.
- El uso prolongado de los altavoces a niveles de volumen elevados puede provocar daños auditivos. No suba el volumen por encima de un nivel que se pueda considerar razonable.
- Los altavoces GARDIAN OW 6 han sido diseñados para ser montados a una altura máxima de 2 metros / 78,7 pulgadas. En caso de que vaya a realizar un montaje a más de 2 metros de altura deberá conectar una línea de seguridad al altavoz. Consulte la Sección 4.2.10.

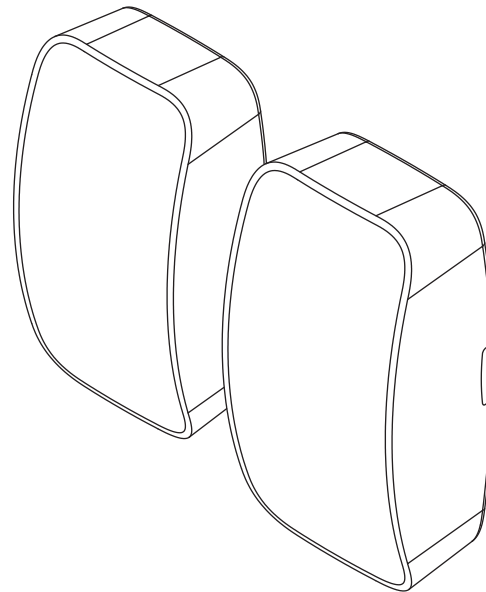
3.0 Desembalaje

Tenga cuidado de no dañar el contenido de la caja cuando desembale el GARDIAN OW 6. Una vez que haya terminado el desembalaje, verifique que estén presentes todos los componentes indicados e ilustrados en el Diagrama 1.

Le recomendamos que conserve los materiales de embalaje para el caso de que sea necesario reubicar el GARDIAN OW 6. No obstante, si va a eliminar los materiales de embalaje, asegúrese de que sean eliminados de forma responsable y que sean reciclados dentro de lo posible.

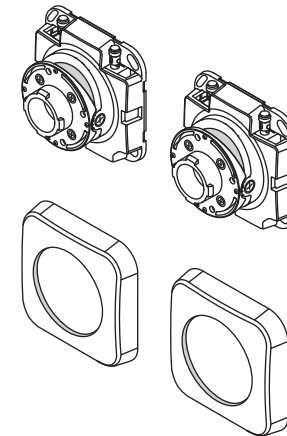
DIAGRAMA 1: CONTENIDO DEL EMBALAJE DEL 6 GARDIAN OW

2 × DALI GARDIAN OW 6

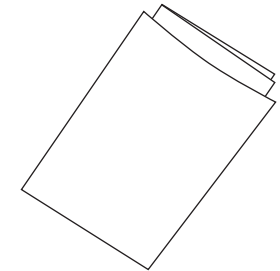


2 × Soporte de pared

2 × Embellecedor de soporte de pared



1 × Paquete de documentos



4.0 Colocación e Instalación

El GARDIAN OW 6 es un altavoz pasivo de montaje en pared diseñado para uso en exteriores o en interiores con altos niveles de humedad. Garantiza un funcionamiento con certificación IP67 a prueba de agua y polvo y puede usarlo en el rango de temperaturas de -20° a +70° C.

El GARDIAN OW 6 incluye un soporte de pared Click n' Connect que incorpora funciones de conexión de altavoces. Los terminales de conexión del amplificador se encuentran dentro del soporte, por lo que el altavoz se conecta automáticamente en cuanto lo encaja en su posición.

El soporte de pared GARDIAN OW 6 Wall Bracket le permite un ajuste inclinado o girado para que la salida de los altavoces que instale encima o a los lados de la zona de escucha pueda ser orientada de forma correcta. Este soporte de pared también le ofrece opciones de instalación de los altavoces en vertical u horizontal y, gracias a que sus cabezales están colocados de forma concéntrica, las características

de dispersión del GARDIAN OW 6 se mantendrán constantes en cualquier orientación. Esto mejora significativamente la versatilidad de instalación del GARDIAN OW 6.

Debe elegir la ubicación de montaje del GARDIAN OW 6 de forma adecuada teniendo en cuenta el entorno y el tipo de instalación.

En los párrafos siguientes encontrará una serie de pautas generales de ubicación para el GARDIAN OW 6. El uso del soporte de pared GARDIAN OW 6 aparece detallado a partir de la Sección 4.2.

Instalaciones stereo

Por lo general las instalaciones stereo deben seguir las pautas convencionales, con un par de altavoces ubicados en dos vértices de un triángulo equilátero con la zona de escucha principal en su tercer vértice.

Si los altavoces están situados muy por encima de la posición de escucha, es posible inclinarlos hacia abajo. La amplia dispersión del GARDIAN OW 6 implica que no es necesario que oriente los altavoces hacia la zona de escucha central.

Instalaciones de sonido de fondo

Para aplicaciones de sonido distribuido de música de fondo, deberá separar las posiciones de montaje de los GARDIAN OW 6 para garantizar una cobertura sólida en la zona requerida. Si los altavoces están situados muy por encima de la posición de escucha, es posible inclinarlos hacia abajo. Los altavoces que vayan a ser usados para sonido de fondo es mejor que reciban una señal audio mono en lugar de stereo.

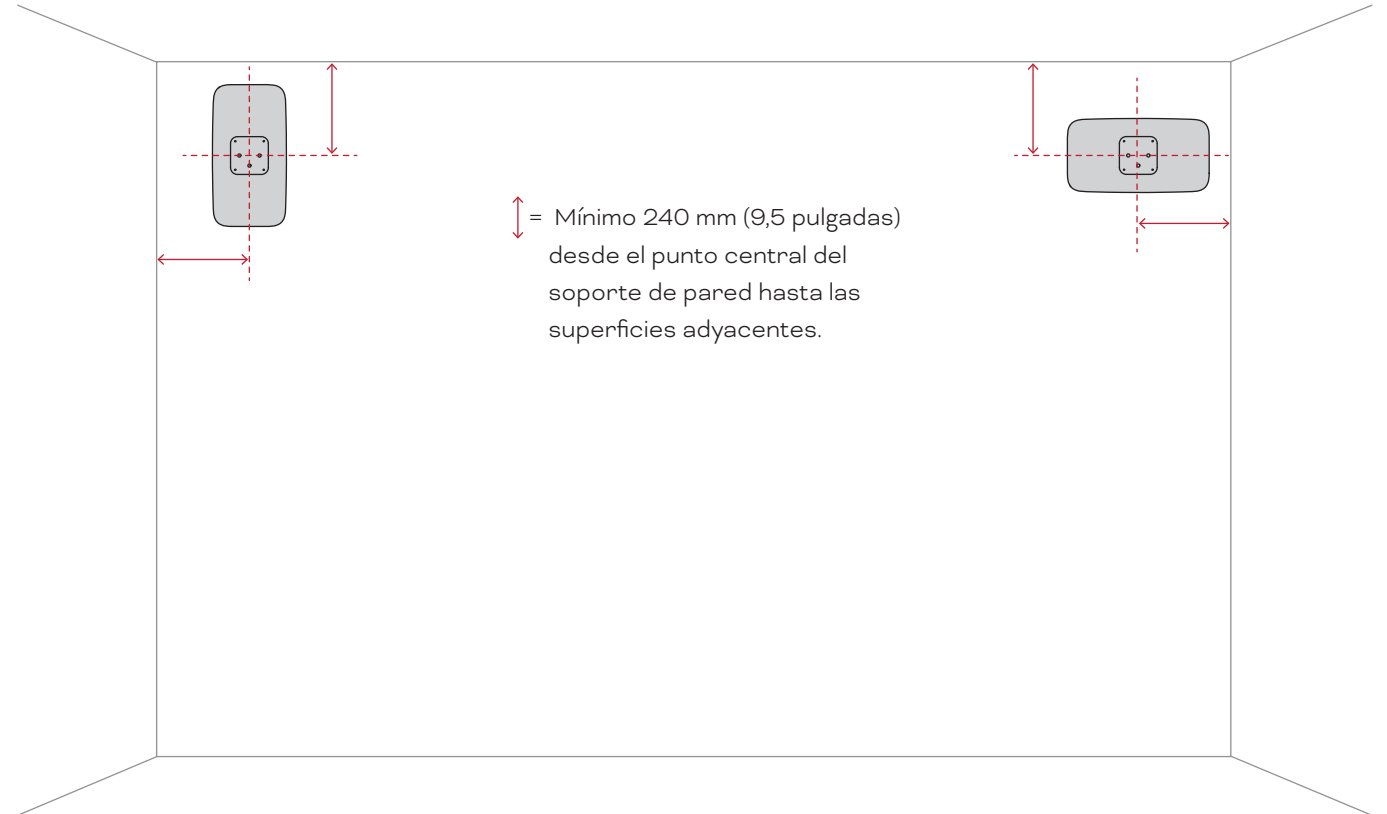
! Al igual que ocurre con cualquier altavoz pasivo, el colocar los DALI GARDIAN OW 6 cerca de las esquinas dará como resultado un énfasis en los graves. Puede usar las funciones de EQ del amplificador para compensar este énfasis en graves producido por una colocación en esquina.

4.1 Colocación

Para poder ajustar con el sistema de clic los altavoces GARDIAN OW 6 en los soportes de montaje en pared, deberá montarlos a una distancia mínima con respecto a las paredes laterales o techos. Le mostramos esta distancia mínima en el Diagrama 2.

Para un montaje correcto, utilice la plantilla de montaje en pared incluida en el embalaje.

DIAGRAMA 2: ESPACIO LIBRE PARA MONTAJE DEL GARDIAN OW 6

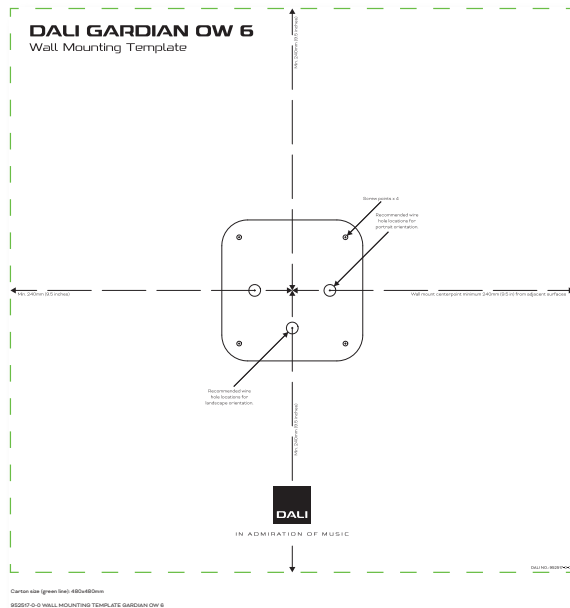


4.2 Conexión e instalación del soporte de pared

4.2.1 Plantilla para montaje en pared

Para comenzar la instalación del soporte de pared GARDIAN OW 6, utilice la plantilla para montaje en pared que está incluida para localizar la posición de montaje correcta. Puede encontrar esta plantilla para montaje en pared en el embalaje.

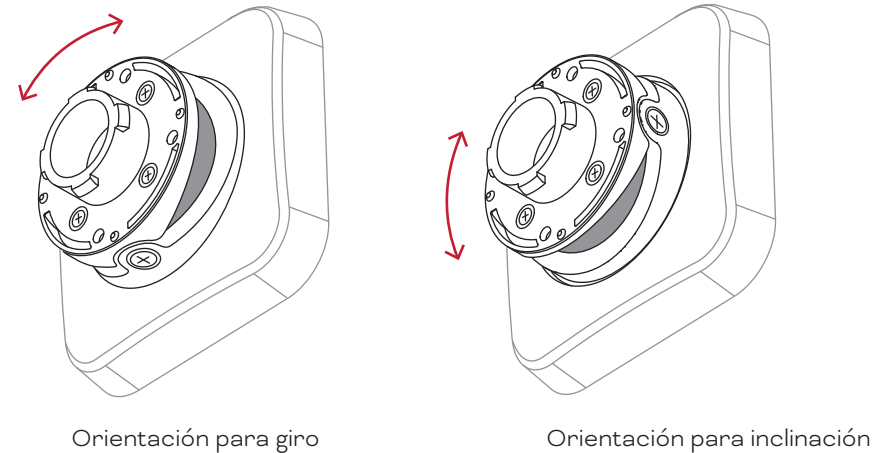
DIAGRAMA 3: PLANTILLA PARA MONTAJE EN PARED DEL GARDIAN OW 6



4.2.2 Giro e inclinación

Dependiendo de si va a necesitar girar o inclinar los altavoces GARDIAN OW 6, deberá instalar el soporte de pared de una forma u otra. En el Diagrama 4 puede ver la orientación del soporte para el giro o inclinación.

DIAGRAMA 4: ORIENTACIÓN PARA GIRO O INCLINACIÓN DEL GARDIAN OW 6 WALL BRACKET



4.2 Conexión e instalación del soporte de pared

4.2.3 Conexiones y fijación del soporte de pared

Con el embellecedor del soporte de pared aparte, conecte el amplificador a los terminales de resorte del soporte de pared GARDIAN OW 6 usando el cable de altavoz adecuado. Conecte el terminal positivo (+) del amplificador al terminal positivo del soporte de pared (rojo) y el terminal negativo (-) del amplificador al negativo del soporte de pared (negro). Utilice siempre un cable de altavoz de baja resistencia y alta calidad. En el Diagrama 5 puede ver las conexiones de cables de altavoz.

! Asegúrese de que el amplificador esté apagado mientras realiza las conexiones del cable de altavoz.

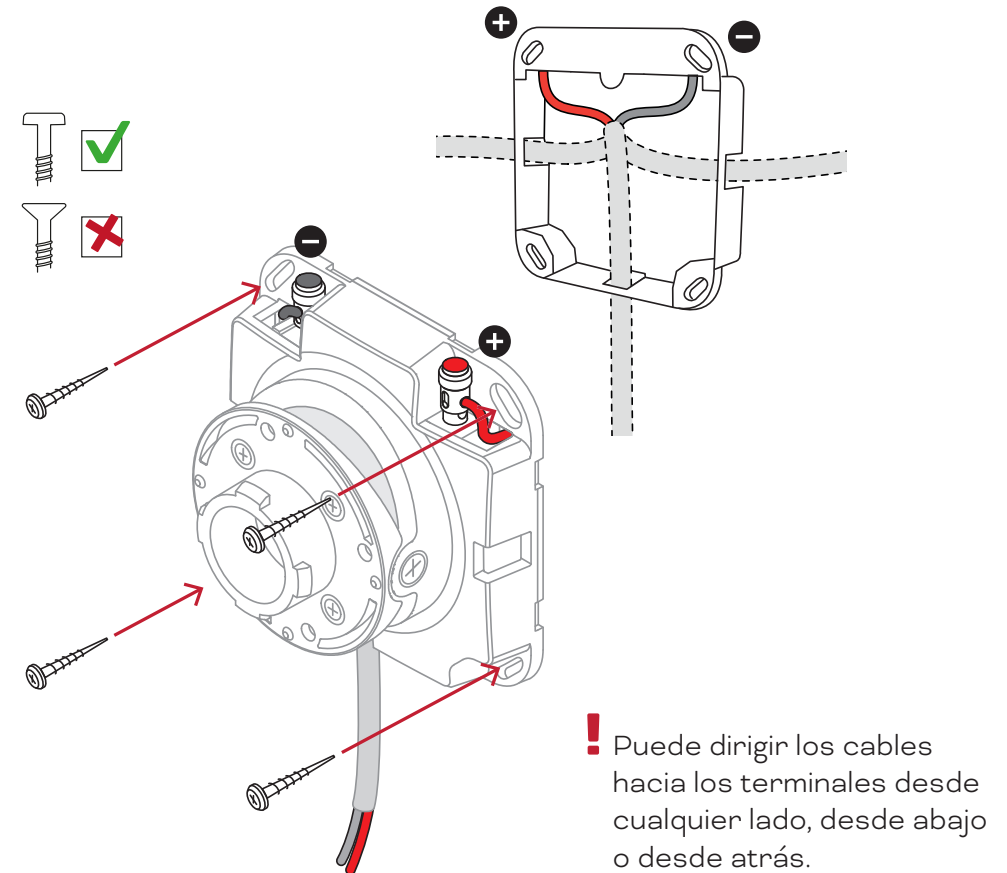
Sujete el soporte de pared GARDIAN OW 6 a la pared u otra estructura utilizando cuatro tornillos y los tacos o sistemas de fijación en pared adecuados si es necesario. Asegúrese siempre de que los altavoces GARDIAN OW 6 y sus soportes sean fijados únicamente a estructuras que puedan soportar fácilmente su peso.

! Si tiene alguna duda sobre su capacidad para sujetar de forma segura los soportes de pared GARDIAN OW 6, consulte a un especialista en la materia.

! Para evitar dañar el soporte de pared durante el proceso de fijación, le recomendamos que utilice tornillos de cabeza redonda y fondo plano. Los tornillos avellanados (con base cónica) pueden dañar los orificios del soporte.

En el Diagrama 6 puede ver la conexión y fijación del soporte de pared.

DIAGRAMA 5: FIJACIÓN Y CONEXIONES DEL SOPORTE DE PARED GARDIAN OW 6



! Puede dirigir los cables hacia los terminales desde cualquier lado, desde abajo o desde atrás.

4.2 Conexión e instalación del soporte de pared

4.2.4 Colocación del embellecedor de soporte de pared

Una vez que haya conectado y fijado de forma segura el soporte a la pared, podrá volver a colocar el embellecedor. Empuje sobre el embellecedor hasta que encaje en su lugar.

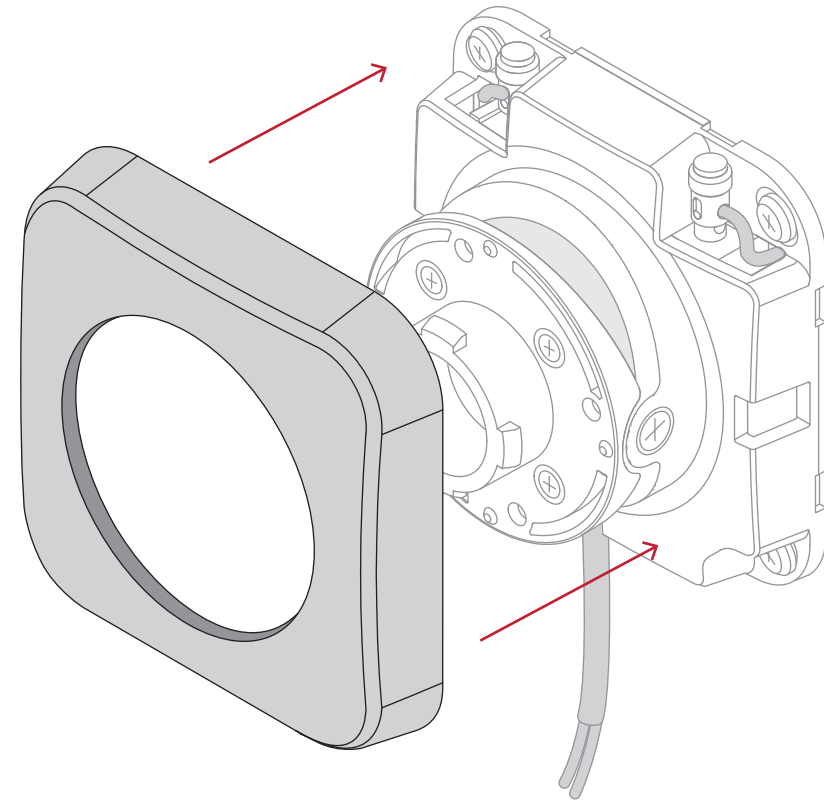
En el Diagrama 6 puede ver la fijación del embellecedor del soporte.

4.2.5 Retirada del embellecedor de soporte de pared

Para poder volver a acceder a los terminales de conexión y a los agujeros de fijación del soporte de pared, deberá quitar el embellecedor del soporte. Simplemente agarre el embellecedor y tire de él para separarlo del cuerpo del soporte de pared.

Para este proceso puede ser de utilidad un destornillador plano.

DIAGRAMA 6: COLOCACIÓN DEL EMBELLECEDOR DEL SOPORTE DE PARED GARDIAN OW 6



4.2 Conexión e instalación del soporte de pared

4.2.6 Fijación de altavoz

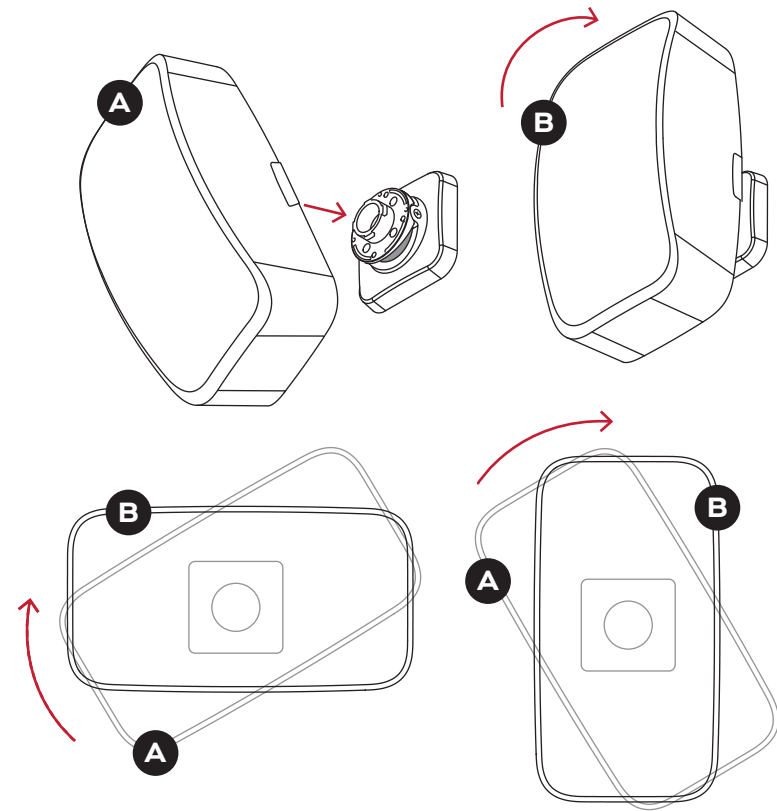
Una vez que un soporte de pared esté conectado a un amplificador, fijado de forma segura en su sitio y que le haya colocado su embellecedor, podrá colocarle un altavoz GARDIAN OW 6. El proceso de fijación es el mismo tanto si va a orientar el altavoz de forma horizontal como vertical.

Para fijar un altavoz, colóquelo en el soporte en un ángulo de rotación de aproximadamente 20° **A** e introduzca el saliente del altavoz en la abertura del soporte de pared. Cuando el saliente esté completamente introducido, gire el altavoz hacia la derecha hasta alcanzar la perpendicular **B**. El altavoz quedará conectado automáticamente en su lugar en cuanto alcance la perpendicular.

El proceso de conexión del altavoz GARDIAN OW 6 aparece en el Diagrama 7.

! Instale los protectores de los soportes si no va a colocar unos altavoces en los soportes GARDIAN OW 6 durante un tiempo prolongado. Puede comprar estos protectores de soporte en distribuidores y comercios minoristas de DALI. En la sección 4.2.9 describimos el uso de los protectores de soporte.

DIAGRAMA 7: FIJACIÓN CLICK N' CONNECT DE ALTAVOZ GARDIAN OW 6



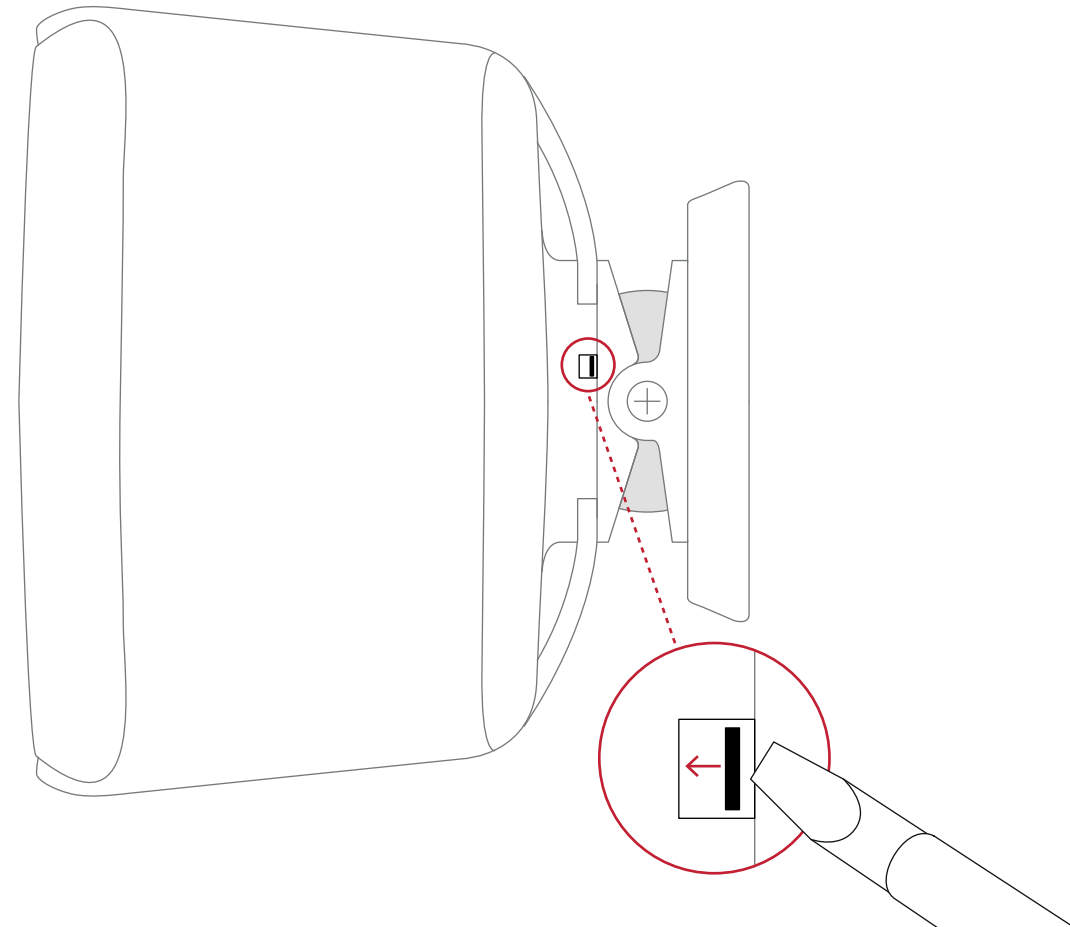
4.2 Conexión e instalación del soporte de pared

4.2.7 Separación de altavoz

Para quitar un GARDIAN OW 6 de su soporte deberá realizar al revés los pasos que le indicamos antes para fijarlo. Utilice un destornillador plano para empujar el pequeño pasador de desbloqueo que está detrás del altavoz y gírelo hacia la izquierda aproximadamente 20° para poder extraer el saliente del soporte.

El proceso de separación del altavoz GARDIAN OW 6 aparece en el Diagrama 8.

DIAGRAMA 8: SEPARACIÓN DEL SALIENTE DEL SOPORTE GARDIAN OW 6



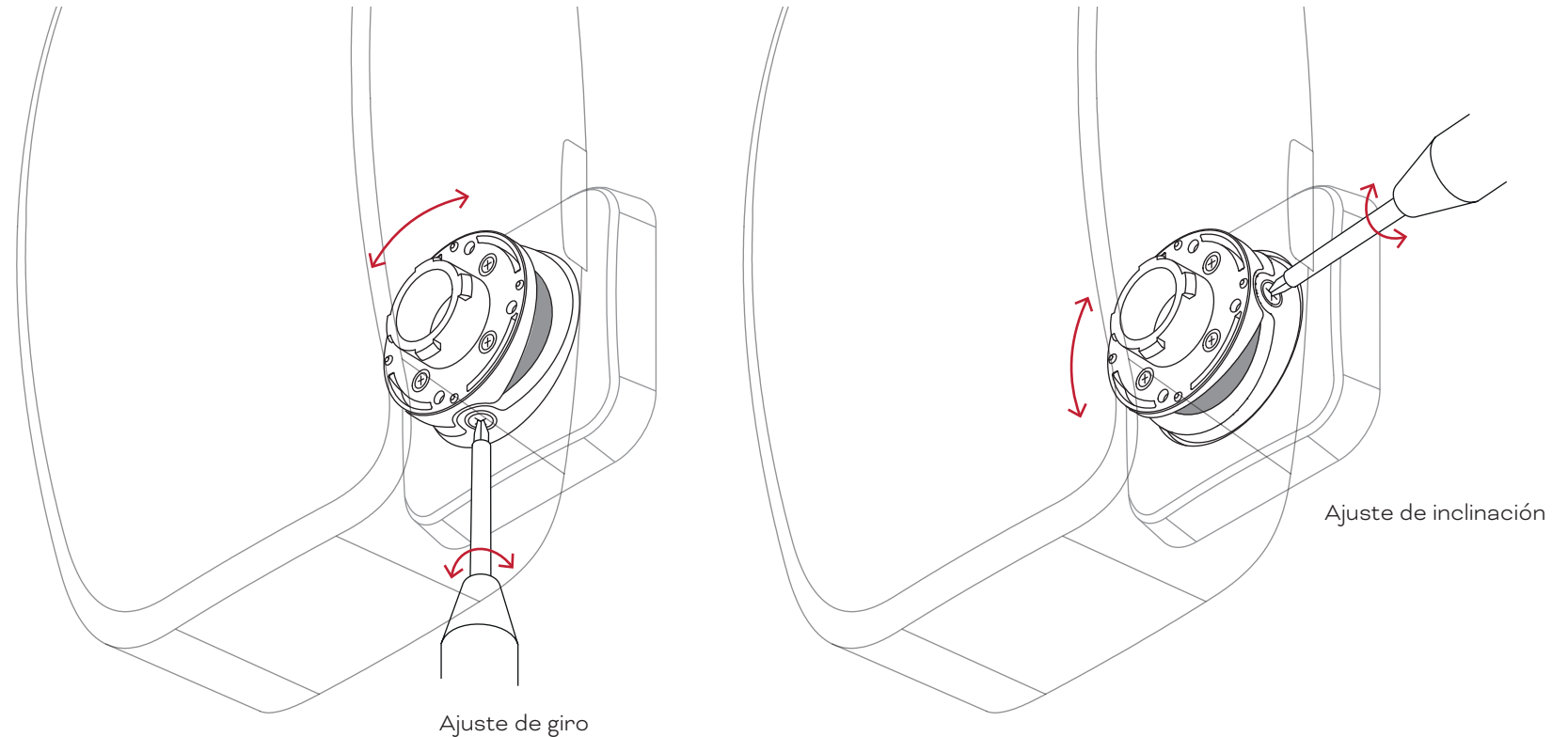
4.2 Conexión e instalación del soporte de pared

4.2.8 Ajuste girado o inclinado

Una vez que el altavoz GARDIAN OW 6 esté fijado de forma segura a su soporte de pared y conectado a un amplificador, podrá ajustar su giro o inclinación. Para ajustar el giro o la inclinación, simplemente afloje el tornillo de ajuste del cabezal, realice el ajuste necesario y vuelva a apretar el tornillo.

En el Diagrama 9 puede ver el ajuste de giro e inclinación.

DIAGRAMA 9: AJUSTE DE GIRO E INCLINACIÓN DEL GARDIAN OW 6



4.2 Conexión e instalación del soporte de pared

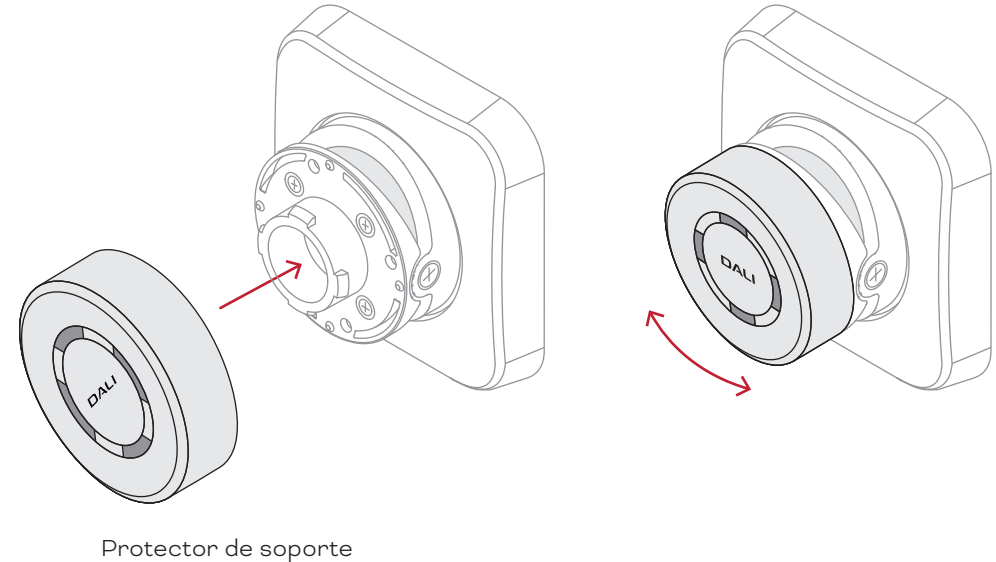
4.2.9 Fijación del protector de soporte

Si va a dejar en el exterior los soportes GARDIAN OW 6 sin altavoces colocados durante un período prolongado, debería colocarles el protector de soporte. Estas piezas protegen de las inclemencias los componentes de conexión que están dentro del soporte cuando no hay ningún altavoz conectado. Puede comprar estos protectores de soporte en distribuidores y comercios minoristas de DALI.

Para colocar este protector de soporte, simplemente empuje sobre la toma del soporte y gírelo 45°.

! El protector de soporte se vende de forma opcional.

DIAGRAMA 10: FIJACIÓN DEL PROTECTOR DE SOPORTE GARDIAN OW 6



4.2 Conexión e instalación del soporte de pared

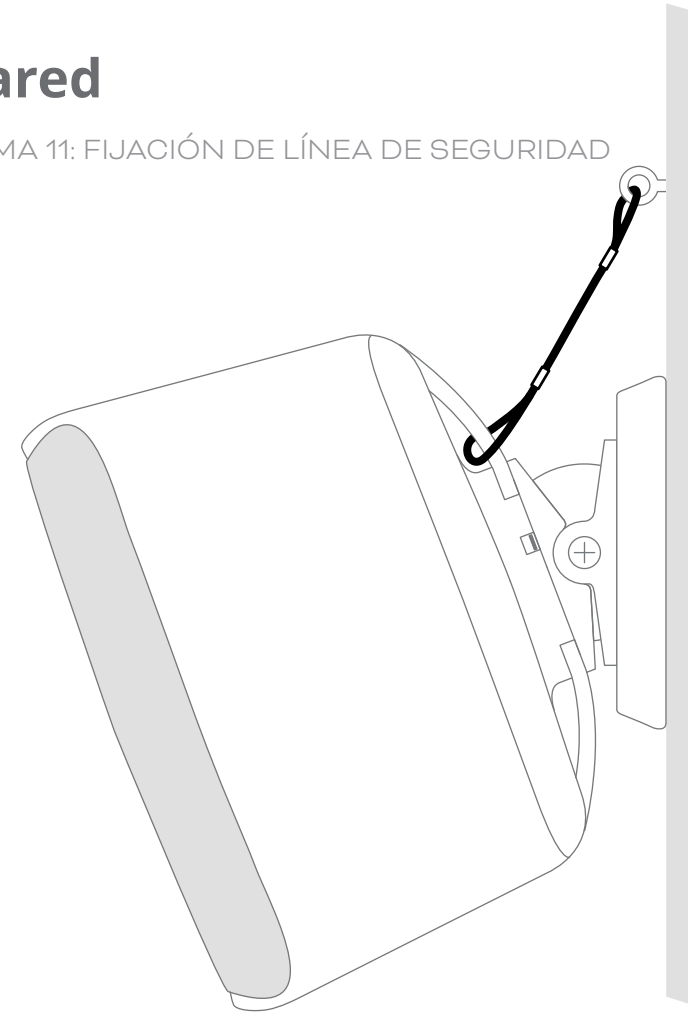
4.2.10 Fijación de línea de seguridad

Los altavoces GARDIAN OW 6 han sido diseñados para ser montados a una altura máxima de 2 metros / 78,7 pulgadas. En caso de que vaya a realizar un montaje a más de 2 metros de altura deberá conectar una línea de seguridad al altavoz.

El diagrama 11 muestra cómo conectar una línea de seguridad.

Asegúrese siempre de que los altavoces GARDIAN OW 6 sean fijados únicamente a estructuras que puedan soportar fácilmente su peso.

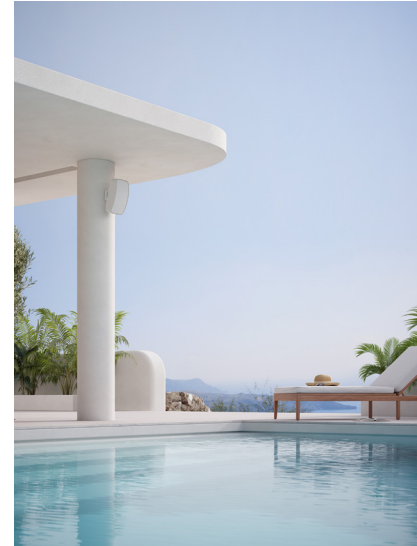
DIAGRAMA 11: FIJACIÓN DE LÍNEA DE SEGURIDAD



5.0 Instalación de altavoces en exteriores

Las instalaciones de altavoces al aire libre pueden cubrir una amplia gama de situaciones. Desde, por ejemplo, para cobertura de audio general en una terraza al aire libre, a una piscina, en una barbacoa, un garaje o incluso también es posible usarlos para funciones de audio multicanal en un sistema home-cinema semicerrado.

El GARDIAN OW 6 le ofrece toda la versatilidad necesaria para adaptarse a cualquier opción de montaje disponible y le permite optimizar cada instalación exterior, incluso en entornos típicos en los que suele haber estructuras y superficies de montaje irregulares y hasta inadecuadas. Las imágenes de esta página ilustran algunas de las posibilidades.



6.0 Rodaje

Al igual que ocurre con cualquier otro equipo mecánico, un altavoz requiere un período de “rodaje” para dar el máximo rendimiento. Experimentará un aumento gradual en la calidad del sonido a partir del primer período de uso. El período de adaptación variará dependiendo del uso y del volumen de reproducción. Lo normal es que hagan falta unas 100 horas de funcionamiento hasta alcanzar el rendimiento máximo. A diferencia de otros sistemas mecánicos, la vida útil de un altavoz aumenta con una reproducción musical normal y continua.

7.0 Limpieza

Gracias a sus capacidades impermeables, puede limpiar el GARDIAN OW 6 con agua si es necesario. Utilice un paño húmedo o un cepillo suave. No retire la rejilla del altavoz y evite utilizar líquidos de limpieza que contengan productos disolventes. No utilice máquinas de chorro de agua dirigido ni limpiadores a vapor.

Deje que el GARDIAN OW 6 se seque al aire. No utilice secadores ni ningún aparato similar.

8.0 Eliminación

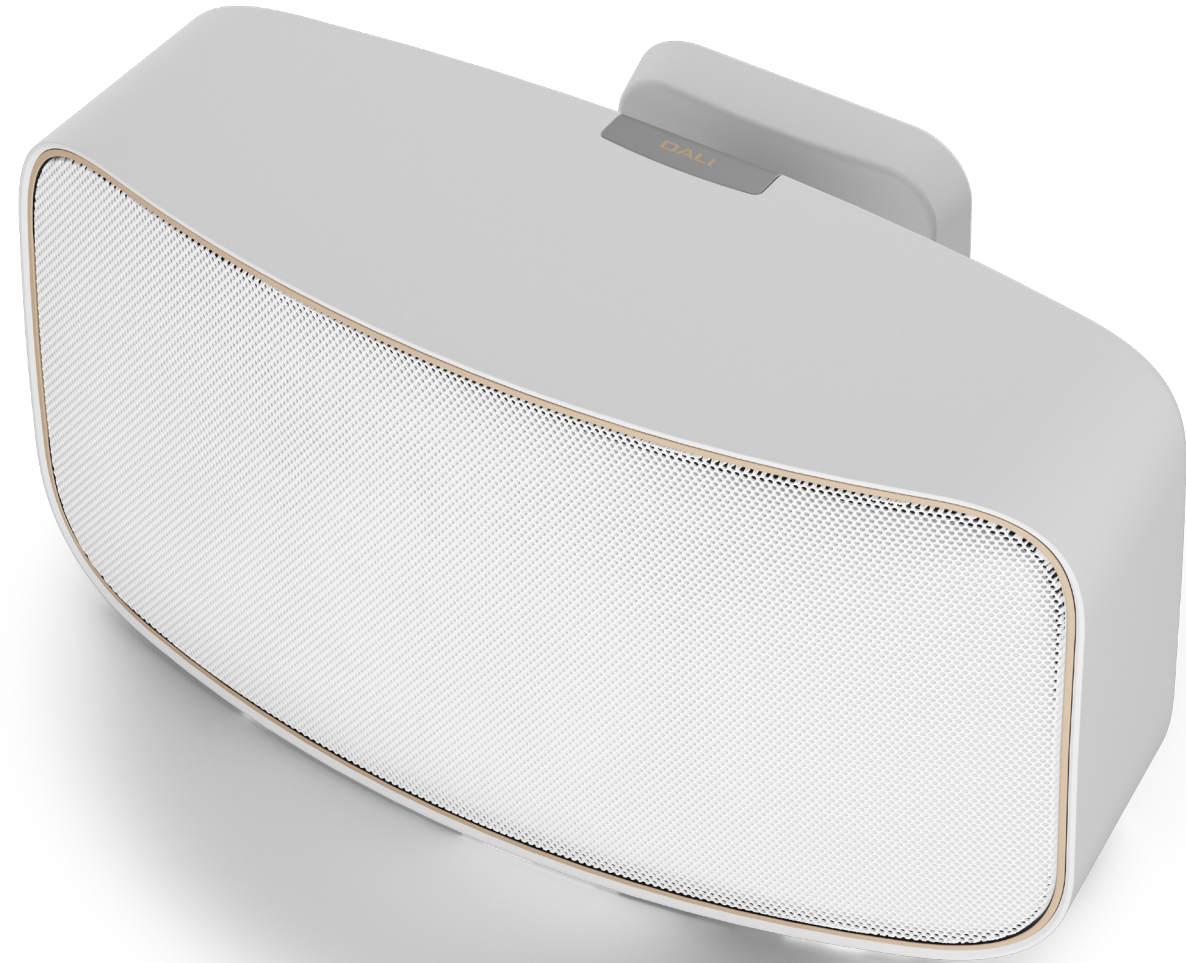
Este producto contiene piezas eléctricas o electrónicas. Si estos materiales no son eliminados correctamente, pueden producir efectos nocivos en el medio ambiente y en la salud de las personas. La presencia de esta etiqueta quiere advertirle que este producto no debe ser eliminado junto con el resto de la basura orgánica y que debe ser desechado o reciclado de forma independiente. Como usuario final, usted es el responsable de asegurarse de que este producto sea eliminado de la forma adecuada.



9.0 Especificaciones técnicas

GARDIAN	OW 6
Rango de frecuencias	47 - 25.000 Hz +/- 3 dB
Sensibilidad	84 dB a 1 m para 2,83 V
Impedancia nominal	6 ohmios
SPL máximo	103 dB
Frecuencia de separación o crossover	2.700 Hz
Principio de separación o crossover	2 vías
Potencia de amplificación recomendada	50 - 200 vatios
Cabezal de agudos	1 tweeter de tipo cúpula blanda de 25 mm (montado coaxialmente)
Diafragma de cabezal de agudos	Tejido suave
Cabezal de medios/graves	1 x 5 pulgadas
Diafragma de cabezal de medios/graves	Polipropileno
Conexiones de entrada	Cable sencillo
Tipo de recinto acústico	Recinto masivo afinado 2 radiadores pasivos de 5 pulgadas (ovalados)
Otras características	Soporte de pared Click n' Connect
Instalaciones posibles	En pared / En techo
Ubicación recomendada	Techo / Frontal / Central / Surround
Certificación IP	IP 67
Dimensiones exteriores incl. rejilla (altura x anchura x profundidad)	200 x 372 x 206 mm / 7.87 x 14.65 x 8.11 pulgadas
Peso incluyendo rejilla	4,08 kg / 9 lb
Peso embalado (par)	10,4 kg / 22,92 lb
Acabado	Blanco / Negro
Accesorios incluidos	Plantilla para montaje en pared
Accesorios opcionales	Protector de soporte de pared

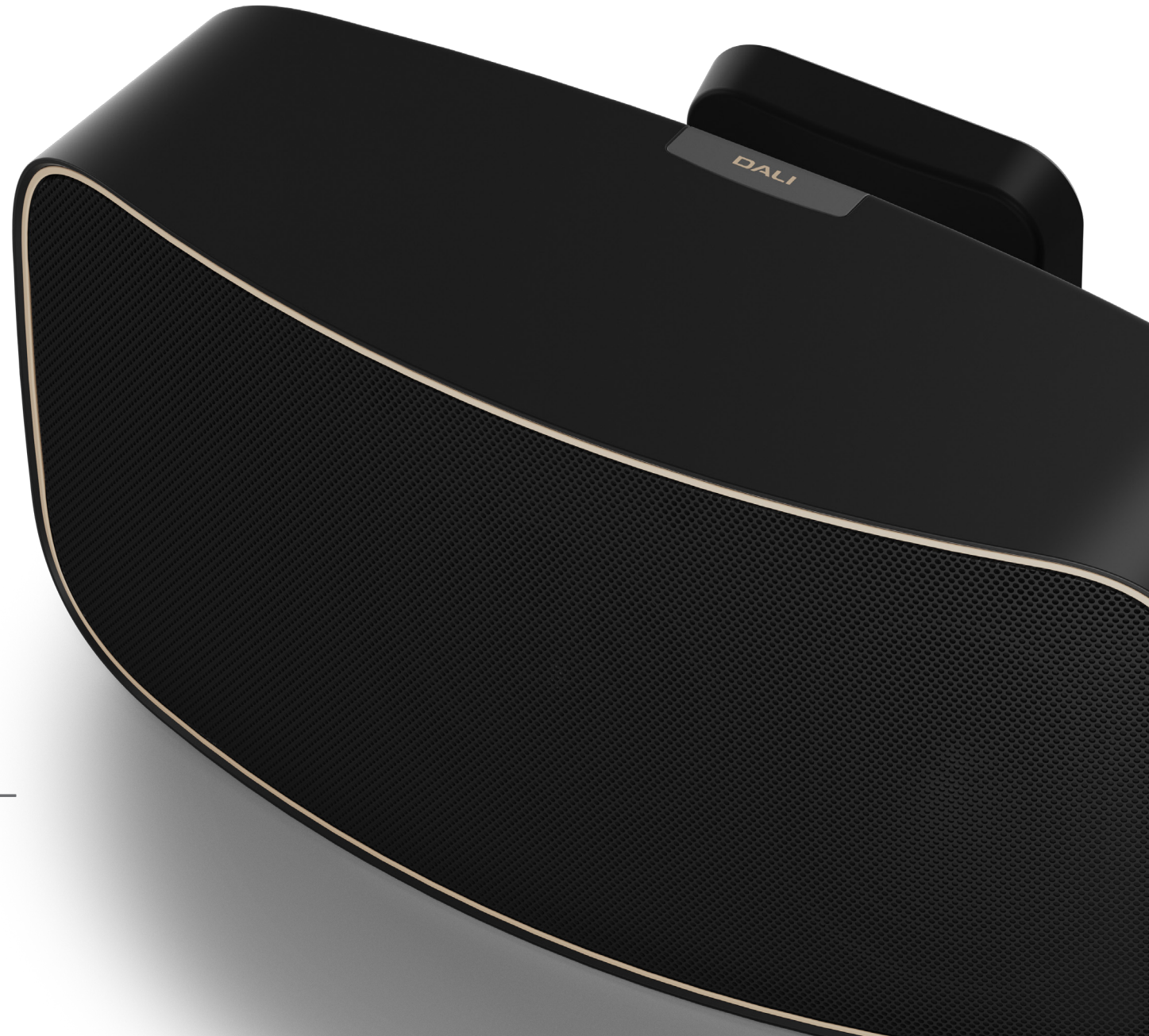
Todas las especificaciones técnicas están sujetas a cambios sin previo aviso.

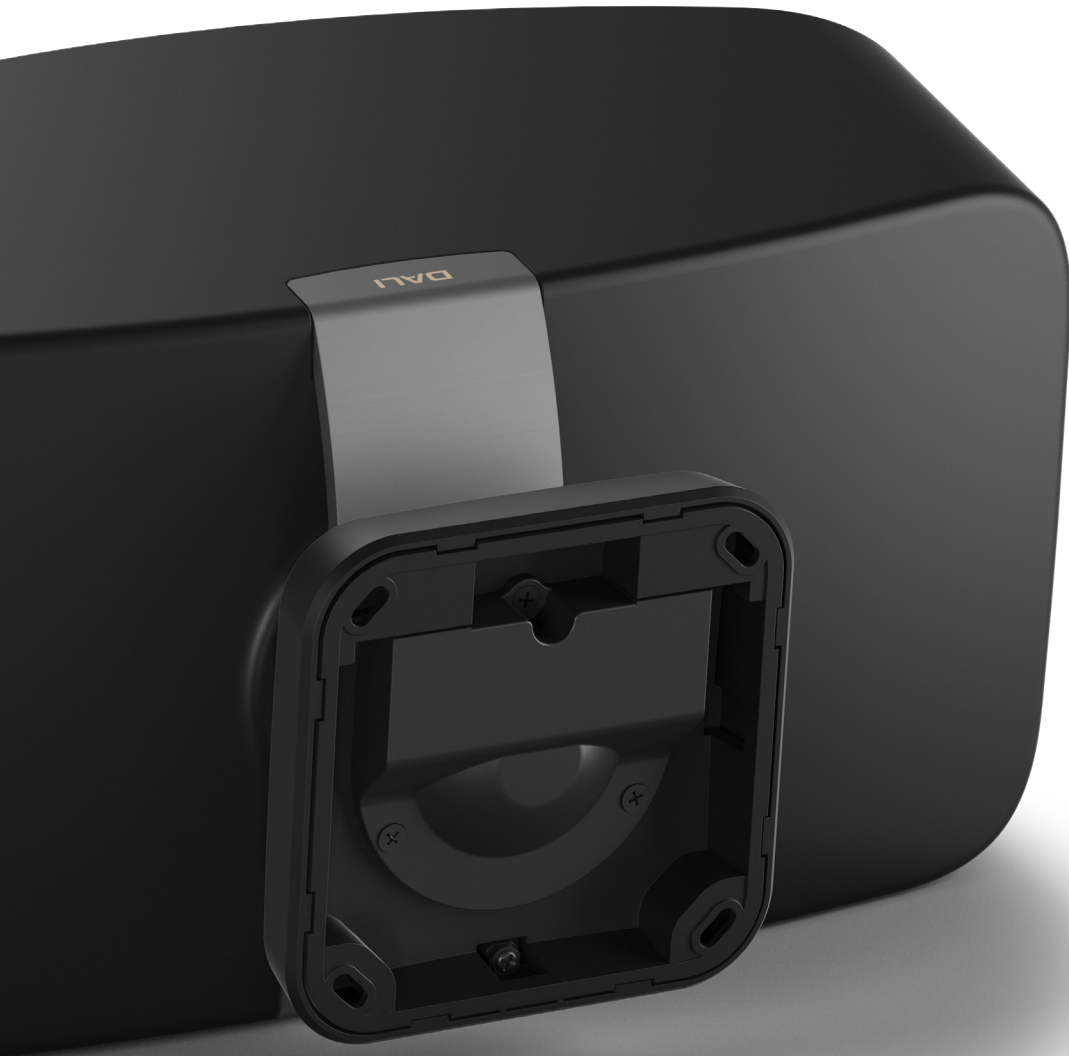


DALI

**DALI
GARDIAN
OW 6**

INSTALLATIONSMANUAL





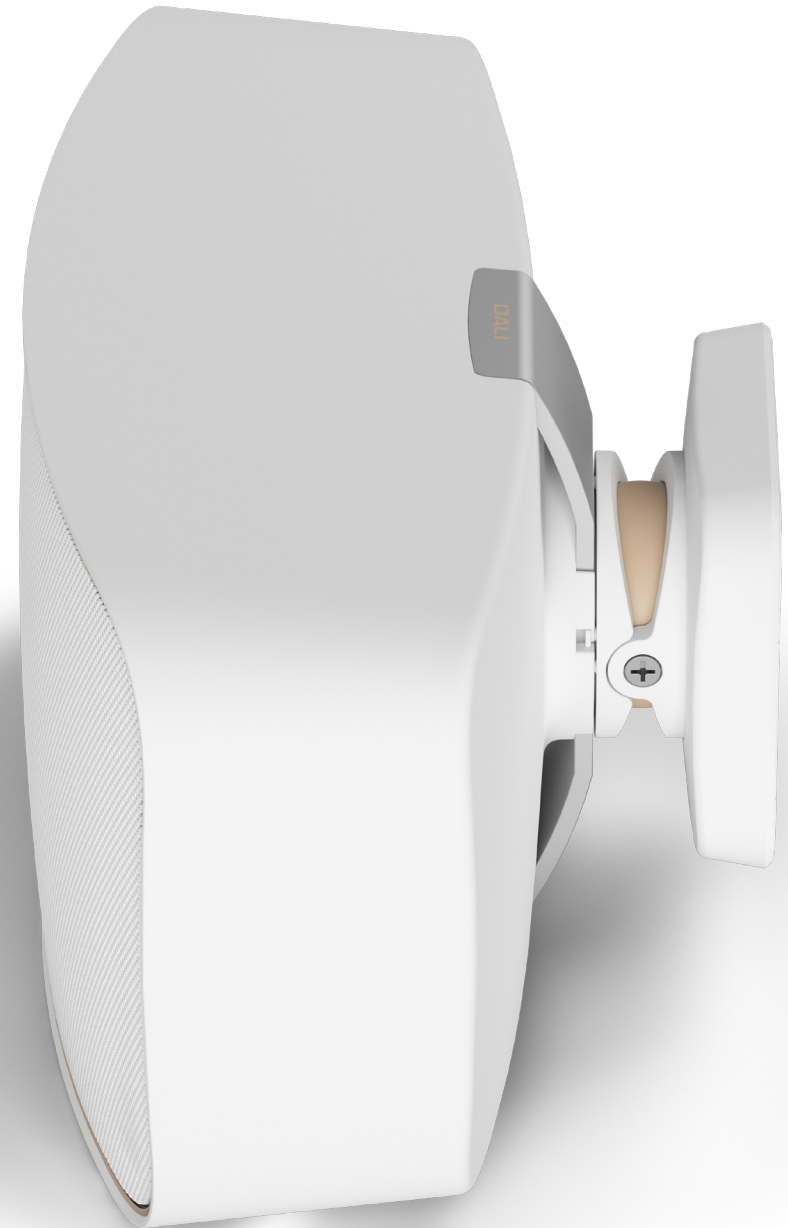
Indhold

1.0	Indledning	76
2.0	Sikkerhedsforanstaltninger	77
3.0	Udpakning	78
4.0	Placering og installation	79
4.1	Positionering	80
4.2	Tilslutning og installation af vægbeslag	81
4.2.1	Vægmonteringskabelon	81
4.2.2	Panorering og vipning	81
4.2.3	Tilslutning og montering af vægbeslaget	82
4.2.4	Montering af dækslet til vægbeslaget	83
4.2.5	Fjernelse af dækslet til vægbeslaget	83
4.2.6	Montering af højttaleren	84
4.2.7	Afmontering af højttaleren	85
4.2.8	Justering af panorering eller vipning	86
4.2.9	Montering af cover til vægbeslag	87
4.2.10	Montering af sikkerhedswire	88
5.0	Installation af udendørs højttalere	89
6.0	Tilspilning	90
7.0	Rengøring	90
8.0	Bortskaffelse	90
9.0	Tekniske specifikationer	91

1.0 Indledning

Tillykke med købet af dine nye DALI GARDIAN OW 6 udendørs væghøjtalere. DALI GARDIAN OW 6 er designet til brug, hvor der er behov for lyd af høj kvalitet udendørs hele året rundt. GARDIAN OW 6 er IP67-klassificeret mod støv- og vandindtrængning og egnet til brug i temperaturer mellem -20°C og +70°C. Den inkluderer et Click n' Connect-monterings- og tilslutningsbeslag, der muliggør liggende eller stående retning, og har enkle justeringsmuligheder for panorering eller vipning.

For at få mest muligt ud af din DALI GARDIAN OW 6, bedes du læse denne manual omhyggeligt, inden du pakker højttalerne ud og installerer dem. Du kan få flere oplysninger på vores hjemmeside, www.dali-speakers.com, eller ved at kontakte din autoriserede DALI-forhandler.





2.0 Sikkerhedsforanstaltninger

- Følg altid sikkerhedsforanstaltningerne.
- GARDIAN OW 6-højtalere bør installeres af kompetente, professionelle lydinstallationsteknikere.
- Sørg altid for, at GARDIAN OW 6-højtalerne kun monteres på strukturer, der nemt kan bære deres vægt.
- Sørg for, at der ikke er nogen serviceinstallationer såsom el- eller datakabler, gas- eller vandrør eller ventilationskanaler i strukturen på monteringsstedet for GARDIAN OW 6.
- Sørg for, at forstærkeren er slukket, når du tilslutter kabler til GARDIAN OW 6-højtalerne.
- Hvis der er tilsluttet mere end én DALI GARDIAN OW 6 parallelt til den samme forstærkerudgangskanal, skal du tjekke forstærkerens tekniske specifikationer for at sikre, at forstærkeren kan håndtere belastningen. Hvis du har brug for yderligere hjælp, kan du kontakte din autoriserede DALI-forhandler eller installatør.
- Længerevarende brug af højtalere ved høj lydstyrke kan forårsage høreskader. Hæv ikke lydstyrken ud over behagelige niveauer.
- Gardian OW 6 højtalere er designet til at blive monteret i maksimum 2 meters højde. Hvis montering foretages højere end 2 meter bør der monteres en sikkerhedswire. Se sektion 4.2.10

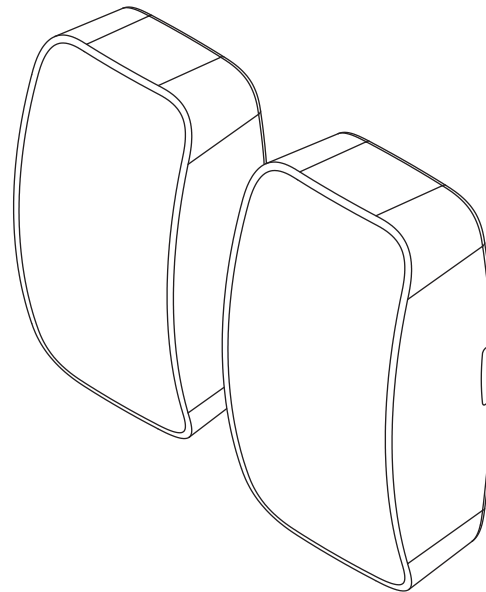
3.0 Udpakning

Pas på ikke at beskadige æskens indhold, når du pakker GARDIAN OW 6 ud. Når udpakningen er færdig, skal du kontrollere, at alle komponenter, der er anført og illustreret i diagram 1, er til stede.

Vi anbefaler, at emballagematerialerne gemmes, i tilfælde af at GARDIAN OW 6 skal flyttes til et andet sted. Hvis emballagen dog skal kasseres, skal du sørge for, at den bortskaffes ansvarligt og genbruges, hvor det er muligt.

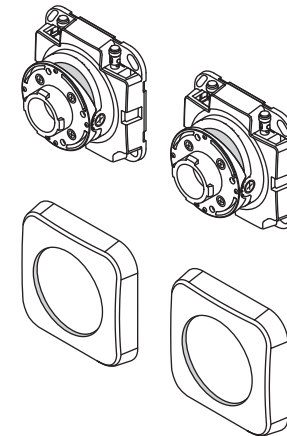
DIAGRAM 1: GARDIAN OW 6-ÆSKENS INDHOLD

2 × DALI GARDIAN OW 6

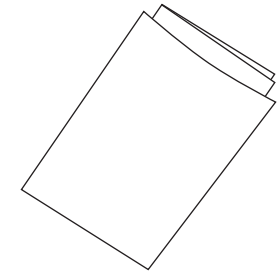


2 × vægbeslag

2 × dæksel til vægbeslag



1 × dokumentpakke



4.0 Placering og installering

GARDIAN OW 6 er en passiv væghøjtaler, som er beregnet til udendørs eller indendørs brug ved høj luftfugtighed. Den er vandtæt og støvtæt i henhold til IP67-klassificeringen og kan bruges i temperaturer fra -20°C til +70°C.

GARDIAN OW 6 leveres med et Click 'n' Connect-vægbeslag, der giver mulighed for at tilslutte højttalere. Forstærkerens tilslutningsterminaler er placeret i beslaget, og højttaleren tilsluttes automatisk, når den klikkes på plads.

GARDIAN OW 6-vægbeslaget muliggør panorering eller vipning, så højttalere, der er monteret over eller ved siden af lytteområdet, kan vinkles for at styre deres lydretning efter behov. Vægbeslaget kan også bruges til stående eller liggende højttalerinstallationer, og takket være de koncentriske arrangerede enheder er GARDIAN OW 6's spredning ensartet i alle retninger. Det forbedrer installationsalsidigheden af GARDIAN OW 6 betydeligt.

Monteringsstederne for GARDIAN OW 6 bør vælges i forhold til miljøet og installationstypen.

De følgende afsnit beskriver de generelle retningslinjer for placeringen af GARDIAN OW 6. Brugen af GARDIAN OW 6-vægbeslaget er illustreret og beskrevet i afsnit 4.2 og fremefter.

Stereoinstallationer

Stereoinstallationer bør generelt følge konventionelle retningslinjer med et par højttalere placeret ved to toppunkter i en ligesidet trekant, der inkluderer det primære lytteområde ved dets tredje toppunkt. Hvis højttalere er placeret betydeligt over lyttepositionen, kan de vippes nedad. GARDIAN OW 6's brede spredning betyder, at der ikke er behov for at "vinkle" højttalere ind mod det centrale lytteområde.

Installationer af baggrundslyd

Til distribueret baggrundslyd bør GARDIAN OW 6-monteringsstederne være spredt for at sikre ensartet dækning over det ønskede lytteområde. Hvis højttalere er placeret betydeligt over lyttepositionen, kan de vippes nedad. Højttalere til baggrundslyd kan med fordel bruges med mono signaler, i stedet for stereo - for ensartet dækning.

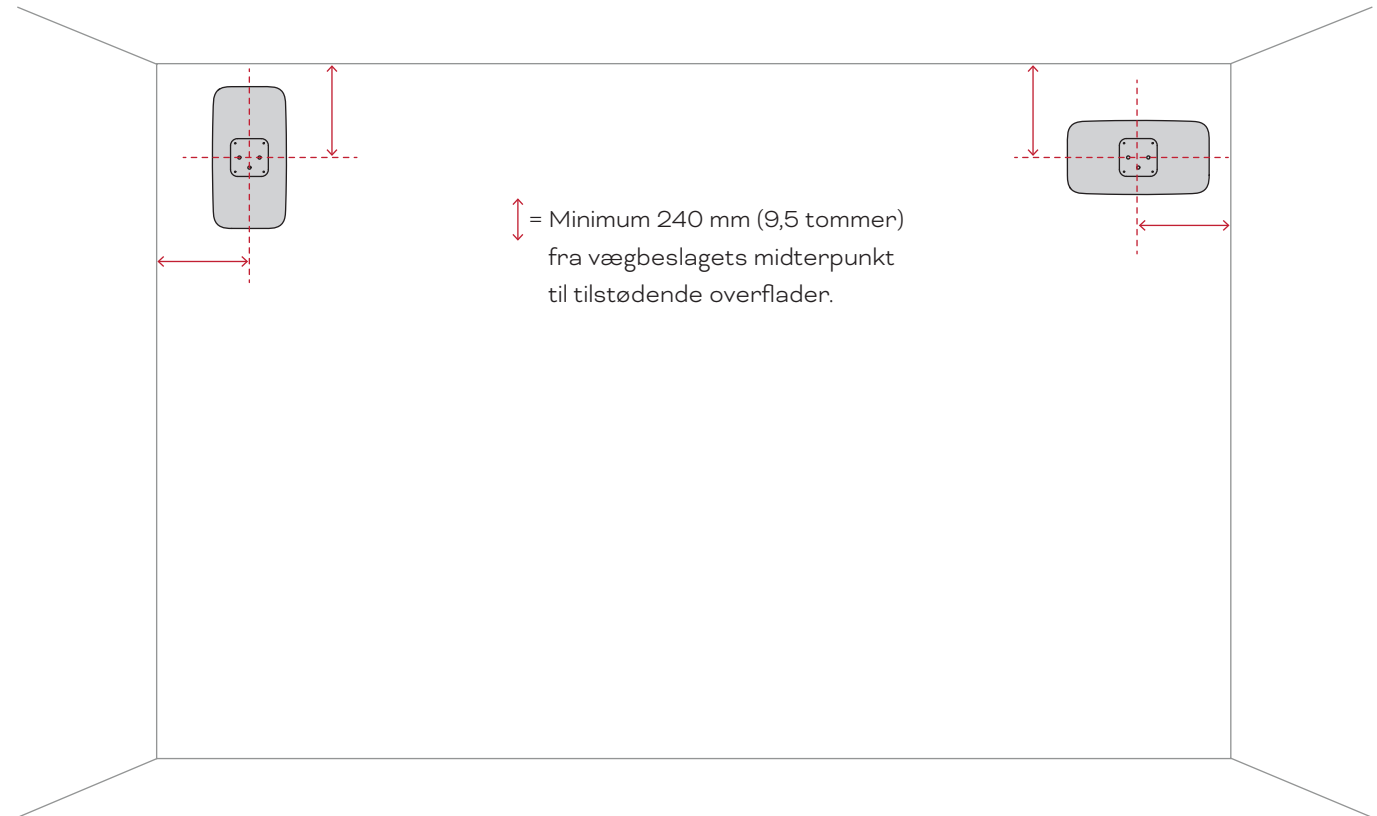
- ! Som med alle passive højttalere vil det forstærke bassen, hvis DALI GARDIAN OW 6 placeres tæt på hjørner. EQ-funktioner kan bruges til at kompensere for denne forstærkning ved montering i hjørner.

4.1 Positionering

For at GARDIAN OW 6-højtalere kan klikkes fast på vægbeslagene, skal de monteres i en minimumsafstand fra sidevægge eller lofter. Minimumsafstanden er vist i diagram 2.

Brug den medfølgende vægmonteringskabelon, der findes i æsken, for korrekt montering.

DIAGRAM 2: MONTERINGS-AFSTAND FOR GARDIAN OW 6

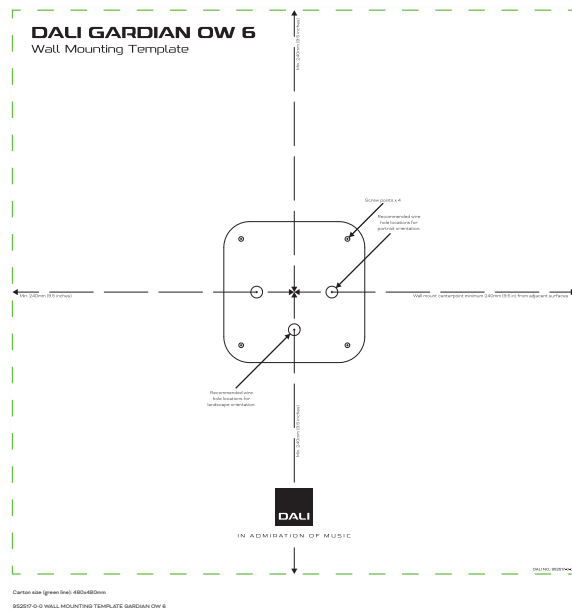


4.2 Tilslutning og installation af vægbeslag

4.2.1 Vægmonteringskabelon

For at komme i gang med at installere GARDIAN OW 6-vægbeslaget skal du bruge den medfølgende vægmonteringskabelon til at finde den korrekte monteringsposition. Vægmonteringskabelonen findes i æsken.

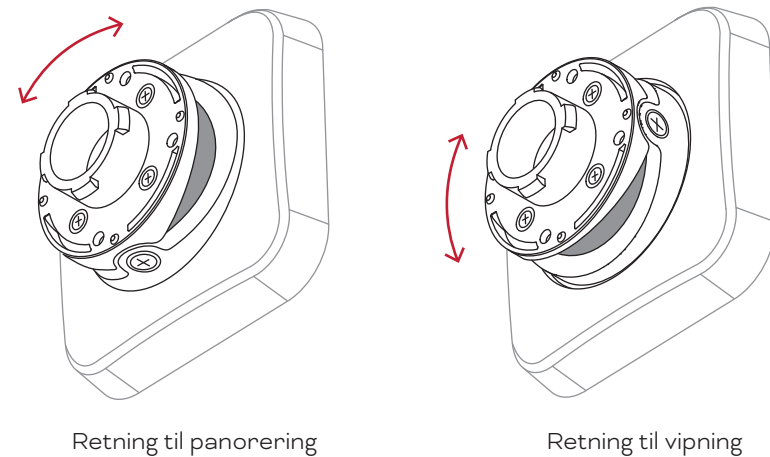
DIAGRAM 3: VÆGMONTERINGSSKABELON TIL GARDIAN OW 6



4.2.2 Panorering og vipning

Afhængigt af behovet for enten vipning eller panorering af GARDIAN OW 6-højtalerne skal vægbeslaget monteres i den korrekte retning. Retningen af beslaget til panorering eller vipning er illustreret i diagram 4.

DIAGRAM 4: RETNINGEN AF VÆGBESLAGET TIL PANORERING ELLER VIPNING AF GARDIAN OW 6



4.2 Tilslutning og installation af vægbeslag

4.2.3 Tilslutning og montering af vægbeslaget

Når dækslet til vægbeslaget er fjernet, skal du tilslutte forstærkeren til GARDIAN OW 6-vægbeslagets fjederterminaler ved hjælp af et passende højttalerkabel. Tilslut forstærkerens positive terminal (+) til vægbeslagets positive terminal (rød) og forstærkerens negative terminal (-) til vægbeslagets negative terminal (sort). Brug altid et højttalerkabel af høj kvalitet med lav modstand. Højttalerkabelforbindelserne er illustreret i diagram 5.

! Sørg for, at forstærkeren er slukket, mens højttalerkablerne tilsluttes.

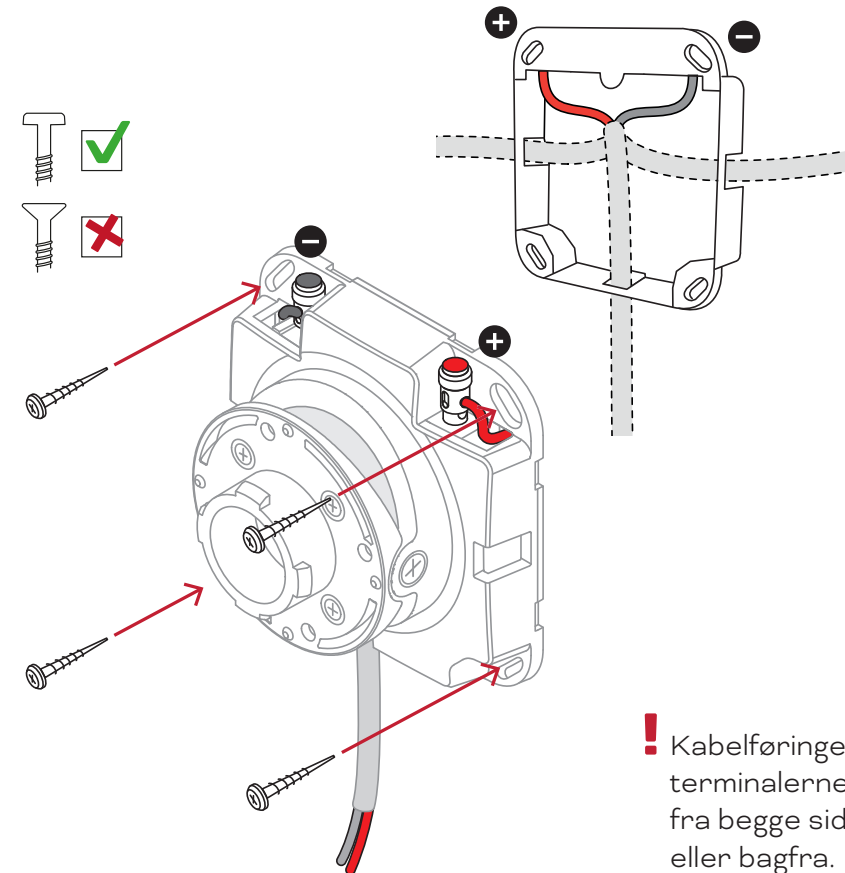
Monter GARDIAN OW 6-vægbeslaget på væggen eller en anden struktur med fire skruer og passende væg-plugs, hvis det er nødvendigt. Sørg altid for, at den struktur, som GARDIAN OW 6-højttalerne og vægbeslagene er monteret på, nemt kan bære deres vægt.

! Hvis du er i tvivl om din evne til at montere GARDIAN OW 6-vægbeslaget sikkert, bør du søge kvalificeret professionel hjælp.

! For at undgå at beskadige vægbeslaget under monteringen anbefales det at bruge skruer med rundt hoved og flad bund. Forsænkede skruer (med konisk bund) kan beskadige beslagets huller.

Tilslutning og montering af vægbeslaget er illustreret i diagram 6.

DIAGRAM 5: TILSLUTNING OG MONTERING AF GARDIAN OW 6-VÆGBESLAGET



! Kabelføringen til terminalerne kan udføres fra begge sider, nedefra eller bagfra.

4.2 Tilslutning og installation af vægbeslag

4.2.4 Montering af dækslet til vægbeslaget

Når et vægbeslag er tilsluttet og sikkert monteret på væggen, kan dets dæksel sættes på igen. Tryk dækslet ind, indtil det klikker på plads.

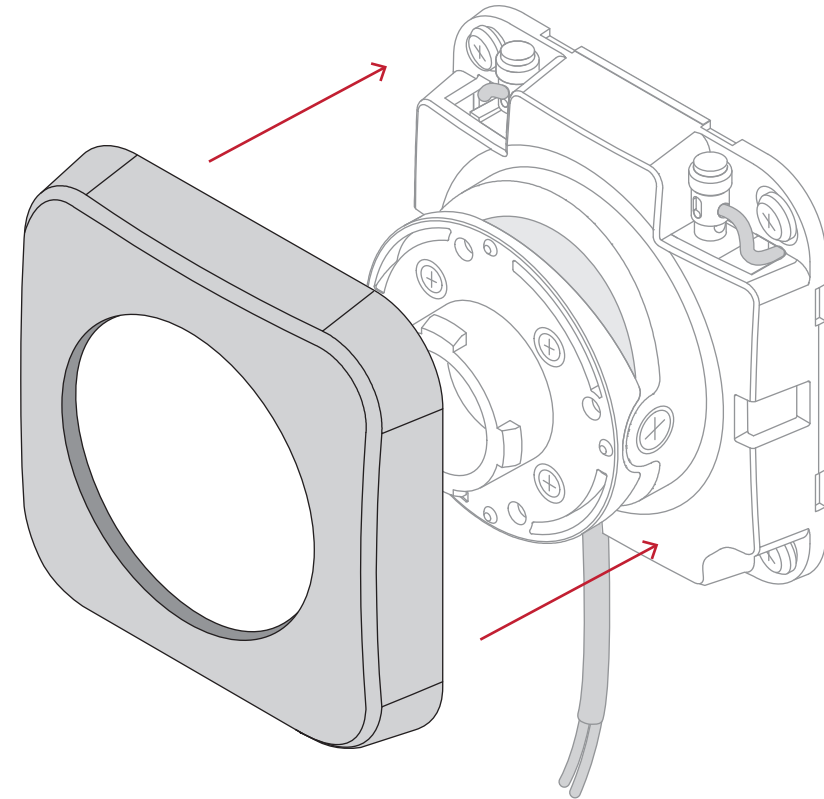
Monteringen af dækslet til vægbeslaget er illustreret i diagram 6.

4.2.5 Fjernelse af dækslet til vægbeslaget

For at få adgang til vægbeslagets tilslutningsterminaler og monteringshuller igen, skal beslagets dæksel fjernes. Tag blot fat i dækslet, og træk det væk fra vægbeslaget.

Du kan eventuelt bruge en flad skruetrækker til at fjerne dækslet.

DIAGRAM 6: UDSKIFTNING AF DÆKSLET TIL GARDIAN OW 6-VÆGBESLAGET



4.2 Tilslutning og installation af vægbeslag

4.2.6 Montering af højttaleren

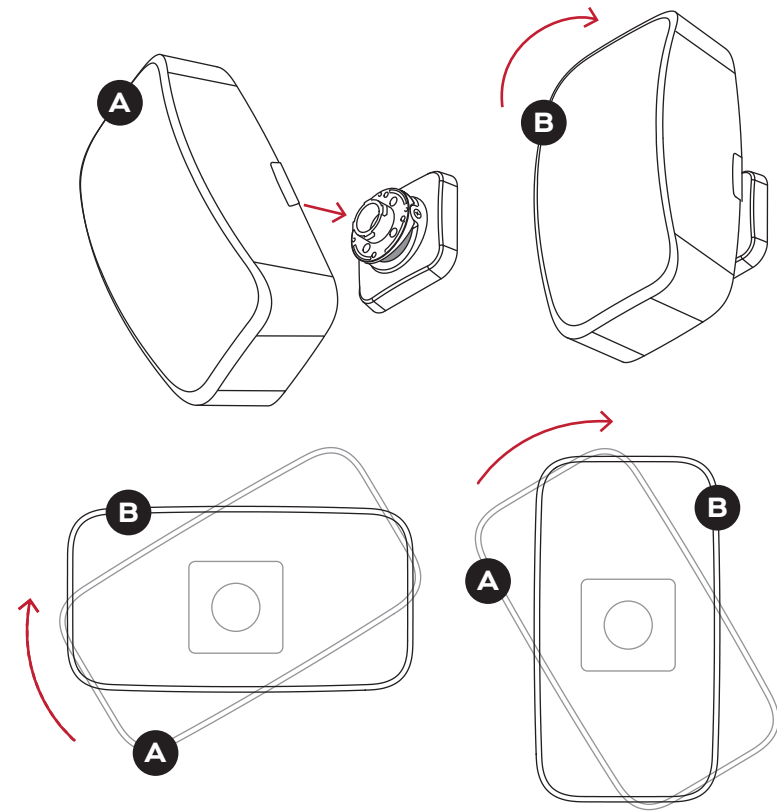
Når et vægbeslag er tilsluttet en forstærker og er sikkert monteret, og beslagets dæksel er sat på igen, kan der monteres en GARDIAN OW 6-højttaler. Monteringsproceduren for højttaleren i liggende eller stående retning er den samme.

For at montere en højttaler skal du placere den mod beslaget i en rotationsvinkel på cirka 20° **A** og indsætte højttalerstolpen i åbningen på vægbeslaget. Når stolpen er helt indsat, skal du dreje højttaleren med uret mod den vinkelrette linje **B**. Højttaleren er monteret med Click n' Connect, når den når den vinkelrette linje.

Fremgangsmåden for montering af GARDIAN OW 6-højttaleren er illustreret i diagram 7.

! Hvis GARDIAN OW 6-beslagene skal efterlades uden højttalere i længere tid, bør der monteres covers til vægbeslag. Covers kan købes hos DALI-forhandlere og -distributører. Afsnit 4.2.9 beskriver brugen af beslagbeskyttere.

DIAGRAM 7: CLICK N' CONNECT-MONTERING AF GARDIAN OW 6-HØJTTALEREN



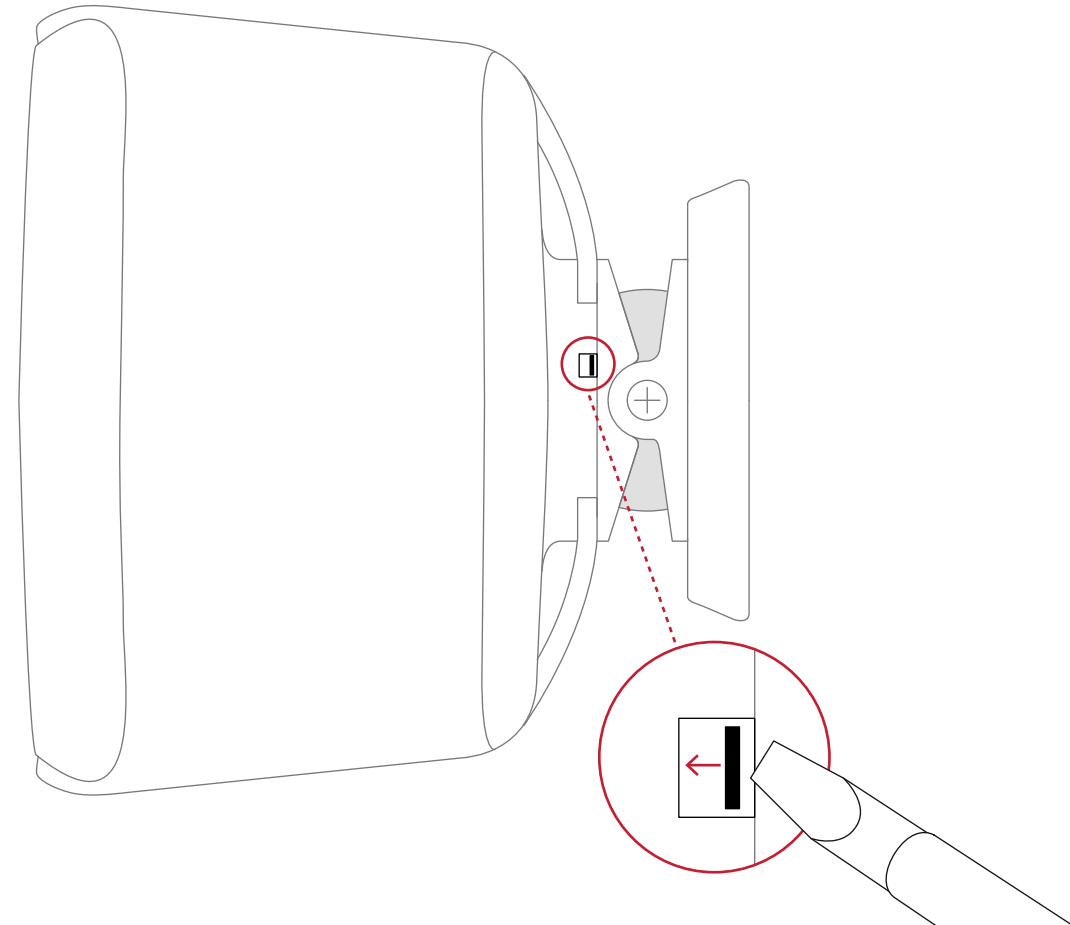
4.2 Tilslutning og installation af vægbeslag

4.2.7 Afmontering af højttaleren

For at afmontere en GARDIAN OW 6 fra beslaget, skal du følge den omvendte procedure af monteringen. Brug en flad skruetrækker til at skubbe den lille oplåsningsstift ind bag højttaleren, drej højttaleren ca. 20° mod uret, og træk den ud af beslaget.

Fremgangsmåden for afmontering af GARDIAN OW 6-højttaleren er illustreret i diagram 8.

DIAGRAM 8: AFMONTERING AF GARDIAN OW 6 FRA BESLAGET



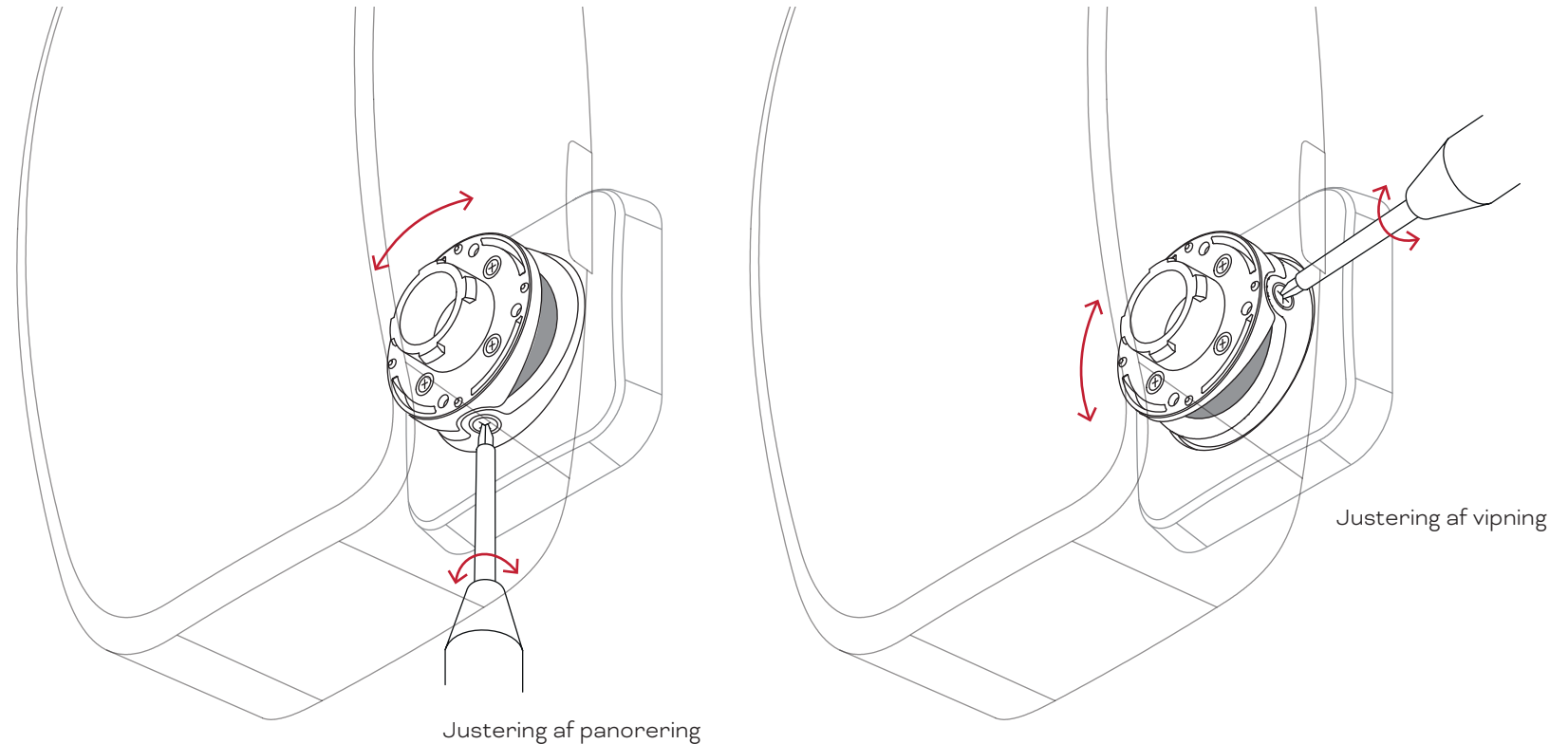
4.2 Tilslutning og installation af vægbeslag

4.2.8 Justering af panorering eller vipning

Når GARDIAN OW 6-højtaleren er sikkert monteret på vægbeslaget og tilsluttet en forstærker, kan dens panorering eller vipning justeres. For at justere panorering eller vipning skal du blot løsne justeringsskruen (stjerneskrue), foretage den nødvendige justering, og stramme skruen igen.

Justering af panorering og vipning er illustreret i diagram 9.

DIAGRAM 9: JUSTERING AF PANORERING OG VIPNING AF GARDIAN OW 6



4.2 Tilslutning og installation af vægbeslag

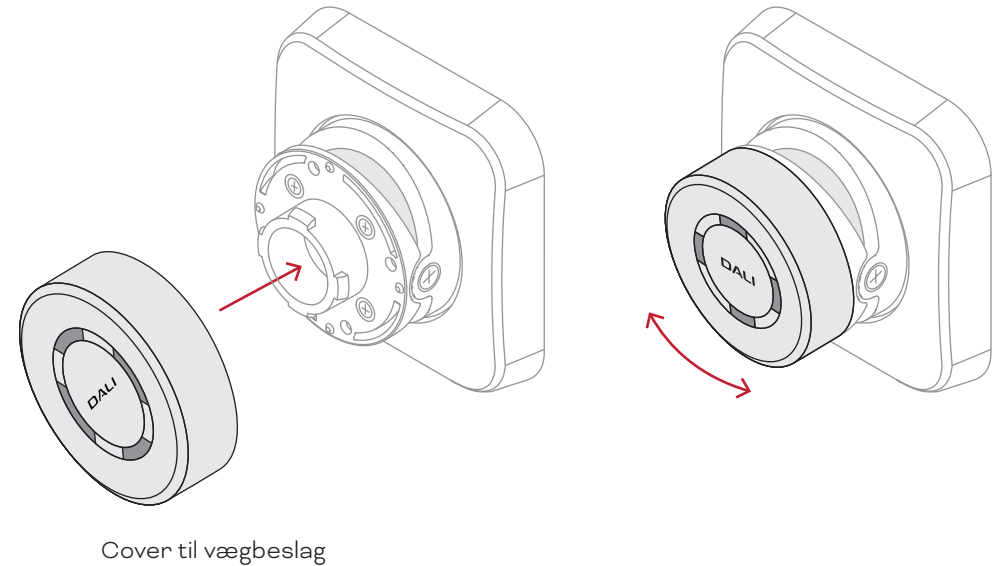
4.2.9 Montering af cover til vægbeslag

Hvis GARDIAN OW 6-beslagene skal efterlades udendørs uden højttalere i længere tid, bør der monteres cover til vægbeslaget. Covers beskytter forbindelses-komponenterne i beslaget mod udendørsmiljøet, når der ikke er monteret en højttaler. Cover til vægbeslag kan købes hos DALI forhandlere og distributører.

For at montere et cover skal du blot skubbe den over beslaget og dreje den 45°.

! Covers sælges som tilbehør.

DIAGRAM 10: MONTERING AF COVER TIL GARDIAN OW 6



4.2 Tilslutning og installation af vægbeslag

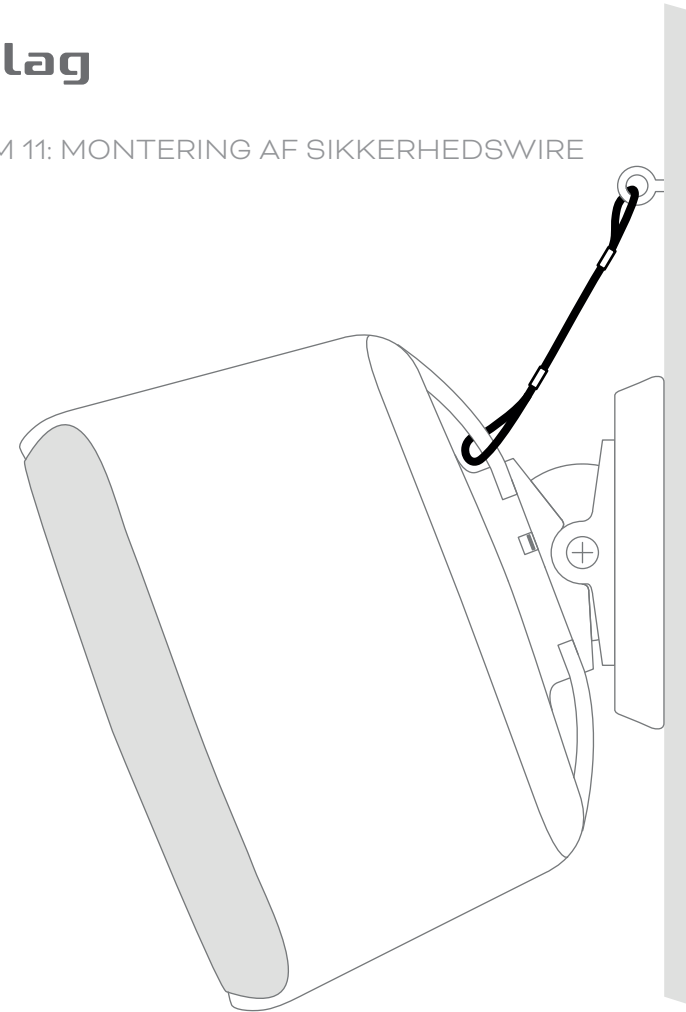
4.2.10 Montering af sikkerhedswire

GARDIAN OW 6 højttalere er designet til at blive monteret i maksimum 2 meters højde. Hvis montering foretages højere end 2 meter bør der monteres en sikkerhedswire.

Diagram 11 viser hvordan du monterer sikkerhedswiren.

Sørg altid for, at GARDIAN OW 6-højttalerne kun monteres på strukturer, der nemt kan bære deres vægt.

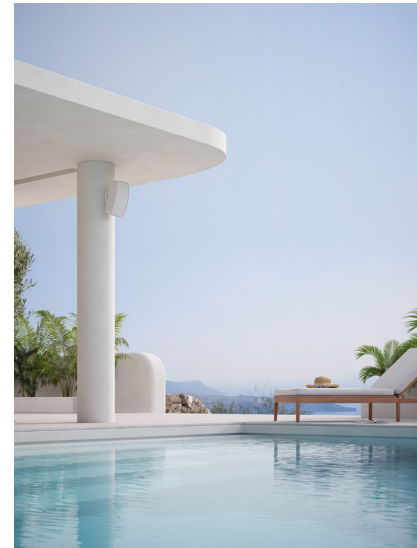
DIAGRAM 11: MONTERING AF SIKKERHEDSWIRE



5.0 Installation af udendørs højttalere

Installationer af udendørs højttalere kan dække en bred vifte af områder. Det kan være til generel lyddækning på et udendørs terrasseområde, for eksempel til et poolområde, omkring en grill, i en garage eller måske endda til surroundsound i en delvist overdækket hjemmebiograf.

GARDIAN OW 6 tilbyder al den alsidighed, der kræves for at tilpasse sig de tilgængelige monteringsmaterialer og muliggøre optimering af enhver udendørs installation – selv i det typiske udendørsområde med ujævne og måske uegnede monteringsstrukturer og overflader. Billederne på denne side viser nogle af mulighederne.



6.0 Tilspilning

Ligesom ethvert mekanisk system kræver en højttaler en "tilspilningsperiode" for at yde sit bedste. Du vil opleve en gradvis forbedring af lyd kvaliteten i løbet af den første brugsperiode. Tilspilningsperioden vil variere afhængigt af brugen og lydstyrken. Du bør forvente op til 100 timers afspilning, indtil den maksimale ydeevne er nået. I modsætning til andre mekaniske systemer forlænges en højttalers levetid ved normal, regelmæssig musikafspilning.

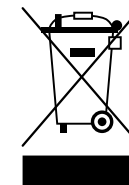
7.0 Rengøring

Takket være dens vandtætte egenskaber kan GARDIAN OW 6 vaskes med vand efter behov. Brug en våd klud eller en blød børste. Fjern ikke højttalergitteret, og undgå at bruge opløsningsmiddelbaserede rengøringsvæsker. Brug ikke direkte vandstråler eller damprensere.

Lad GARDIAN OW 6 lufttørre naturligt. Brug ikke nogen varmekilder rettet mod den.

8.0 Bortskaffelse

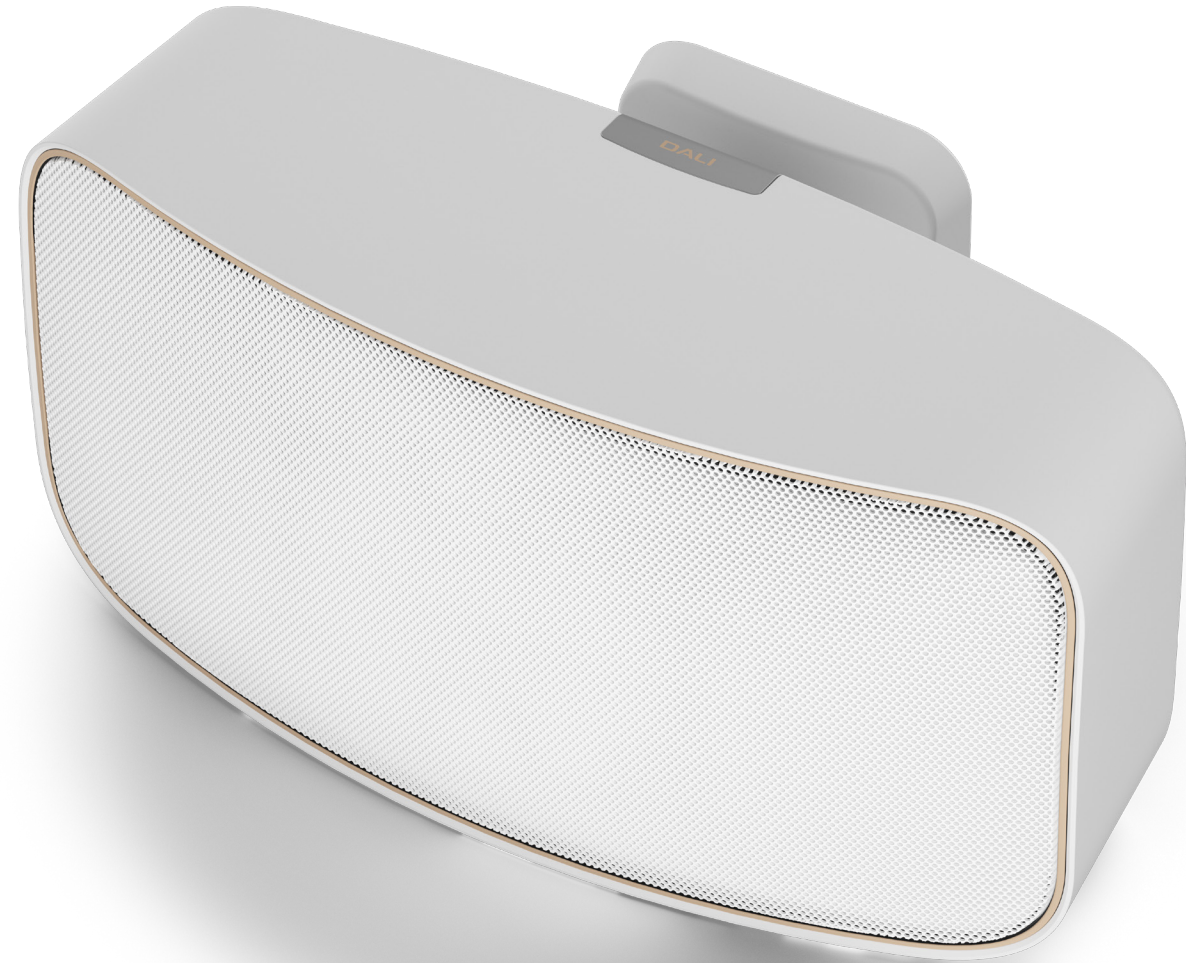
Dette produkt indeholder elektriske eller elektroniske materialer. Hvis disse materialer ikke bortskaffes korrekt, kan de påvirke miljøet og menneskers helbred negativt. Denne mærkat på produktet betyder, at det ikke må smides ud som usorteret affald men skal indsamles separat. Som forbruger har du ansvar for at sikre, at dette produkt bortskaffes rigtigt.



9.0 Tekniske specifikationer

GARDIAN	OW 6
Frekvensområde	47 - 25.000 Hz +/- 3dB
Følsomhed	84 dB ved 1 m for 2,83 V
Nominel impedans	6 ohm
Maksimalt lydtryksniveau	103 dB
Delefrekvens	2,700 Hz
Princip for delefilter	2-vejs
Anbefalet forstærkereffekt	50 - 200 watt
Højfrekvensenhed	1 x 25 mm soft dome (koaksialmonteret)
Højfrekvensmembran	Blødt vævet stof
Lav-/mellemfrekvensenhed	1 x 5 tommer
Lav-/mellemfrekvensmembran	Polypropylen
Kabelindgang	Single wire
Kabinettype	Passiv radiator membran 2 x 5 tommer (ovale) passive radiatorer
Andre funktioner	Click n' Connect-vægbeslag
Installationssted	På væggen/i loftet
Anbefalet placering	Loft/front/center/surround
IP-klassificering	IP 67
Uvendige mål inkl. gitter (H x B x D)	200 x 372 x 206 mm (7,87 x 14,65 x 8,11")
Vægt inkl. gitter	4,08 kg (9 lb)
Forsendelsesvægt (par)	10,4 kg (22,92 lb)
Finish	Hvid/sort
Medfølgende tilbehør	Vægmonteringskabelon
Ekstraudstyr	Dæksel til vægbeslag

Alle tekniske specifikationer kan ændres uden varsel.

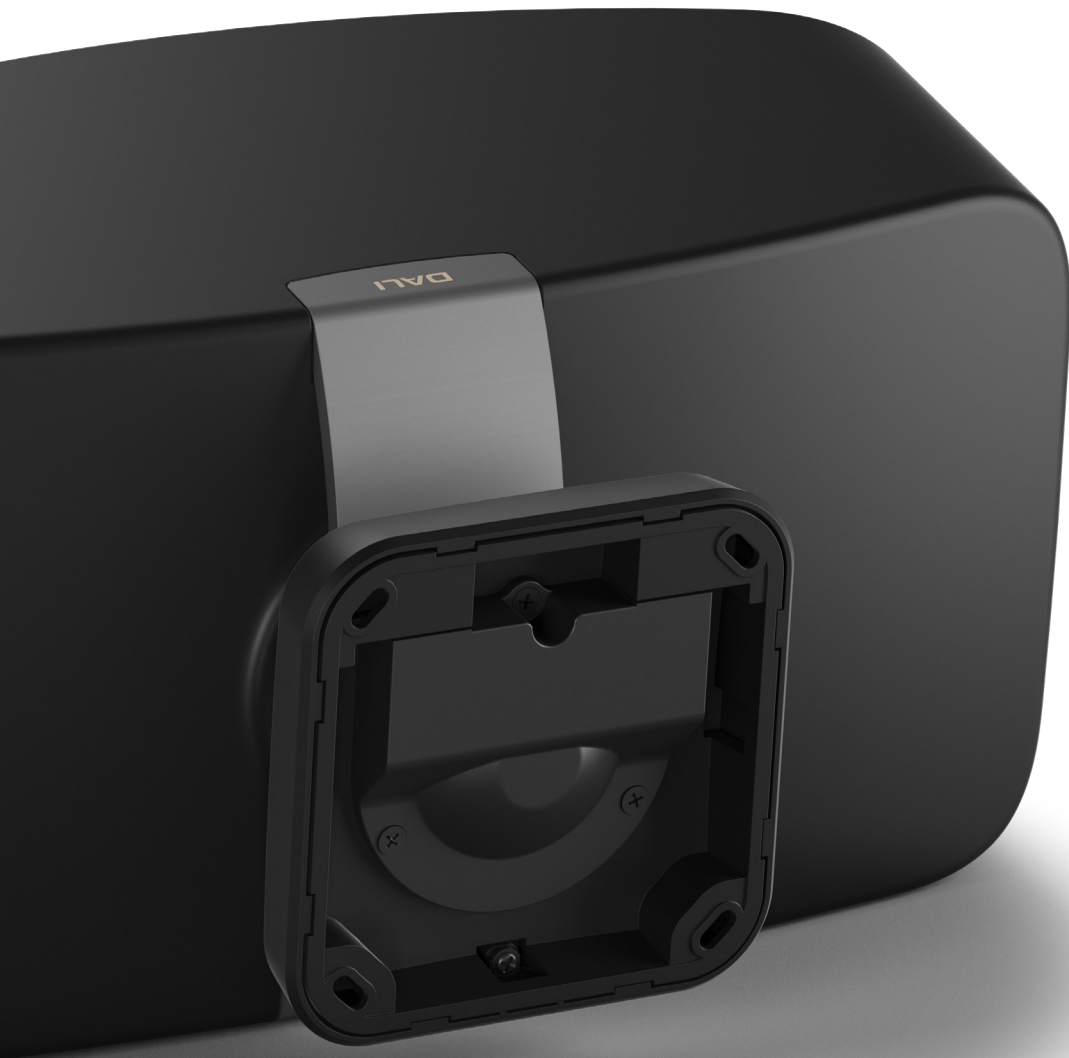


DALI

**DALI
GARDIAN
OW 6**

設置說明書





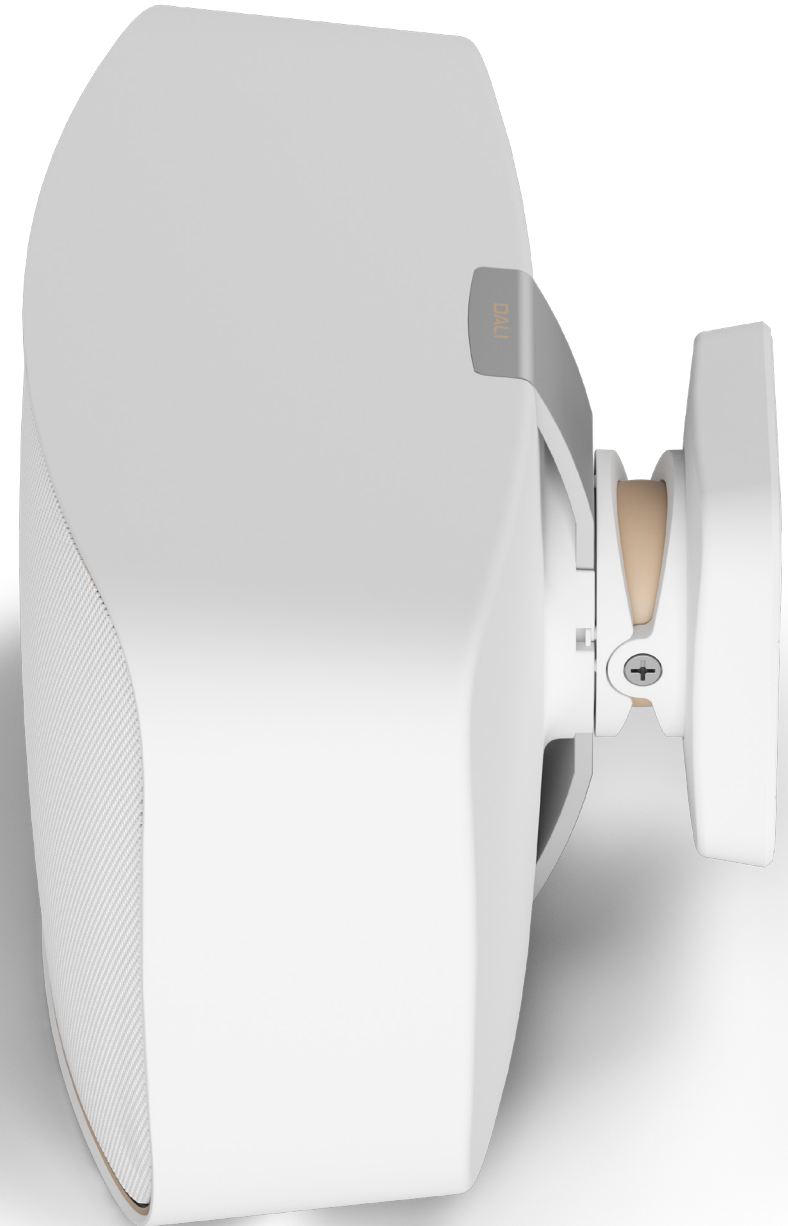
目次

1.0	はじめに	94
2.0	ご注意事項	95
3.0	開梱	96
4.0	配置と据付	97
4.1	配置	98
4.2	壁掛けブラケットの接続と取り付け	99
4.2.1	壁掛け用プレート	99
4.2.2	パン&チルト	99
4.2.3	壁掛けブラケットの接続と取り付け	100
4.2.4	壁掛けブラケットカバー取り付け	101
4.2.5	壁掛けブラケットカバーの取り外し	101
4.2.6	スピーカー取り付け	102
4.2.7	スピーカーの取り外し	103
4.2.8	パンまたはチルト調整	104
4.2.9	ブラケットプロテクター取り付け	105
4.2.10	安全ワイヤーの取り付け	106
5.0	屋外スピーカーの設置	107
6.0	慣らし運転	108
7.0	クリーニング	108
8.0	廃棄処分	108
9.0	技術仕様	109

1.0 はじめに

新しいDALI GARDIAN OW 6屋外壁掛けスピーカーをご購入いただき、誠にありがとうございます。DALI GARDIAN OW 6は、一年を通して、屋外で高品質のオーディオが求められる場所でご使用いただけるように設計されております。GARDIAN OW 6は、防塵・防水性能IP67に準拠しており、-20°C ~ +70°Cの温度範囲でご使用いただけます。本製品には、横向きまたは縦向きの設置を可能にし、シンプルなパンまたはチルト調整オプションを組み込んだ、クリック&コネクト(簡単)取り付けおよび接続ブラケットが含まれています。

DALI GARDIAN OW 6を最大限にご活用いただくために、スピーカーを開梱して設置される前に、本お取扱説明書をよくお読みください。詳しくは、弊社ウェブサイト (www.dali-speakers.com) をご覧いただくか、DALI正規販売店までお問い合わせください。





2.0 ご注意事項

- 常に安全上の注意事項に従ってください。
- GARDIAN OW 6スピーカーは、有能なプロのオーディオ設置技術者によって設置される必要があります。
- GARDIAN OW 6スピーカーは必ず、その重量を容易に支えることができる構造物にのみお取り付けください。
- GARDIAN OW 6のお取り付け場所の構造内に、電気ケーブルやデータケーブル、ガス管や水道管、換気ダクトなどのサービス設備がないことをご確認ください。
- GARDIAN OW 6スピーカーにケーブルを接続される際は、駆動アンプがオフになっていることをご確認ください。
- 複数のDALI GARDIAN OW 6を同じアンプ出力チャンネルに並列に接続される場合は、アンプの技術仕様を参照して、アンプが負荷を処理できることを確認する必要があります。さらにサポートが必要な場合は、DALI正規販売店または設置業者にお問い合わせください。
- スピーカーを大音量で長時間ご使用の場合、聴覚に障害が生じる可能性があります。快適なレベル以上に音量を上げないでください。
- GARDIAN OW 6スピーカーは、最大2メートル(78.7インチ)の高さに設置するように設計されています。2メートルを超える高さに取り付ける場合は、安全ワイヤーをスピーカーに取り付ける必要があります。セクション4.2.10をご参照ください。

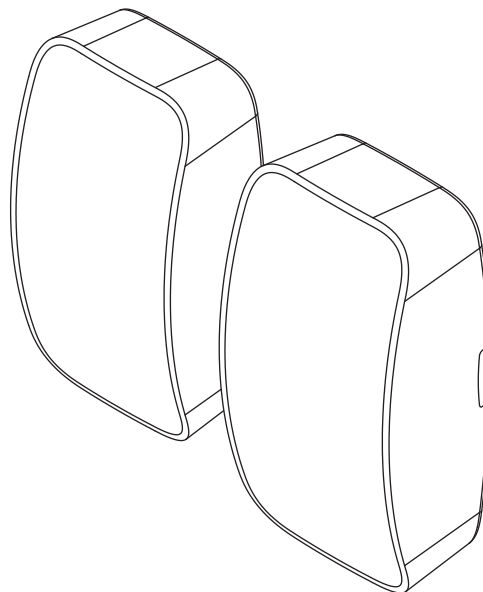
3.0 開梱

GARDIAN OW 6を開梱される際は、箱の中身を損傷しないようにご注意ください。開梱が完了したら、図1にリストされ図示されている内容物がすべて揃っていることをご確認ください。

GARDIAN OW 6を移動する必要がある場合に備えて、梱包材を保管しておくことをお勧めいたします。ただし、梱包材を廃棄される場合は、責任を持って廃棄し、可能な場合はリサイクルするようにしてください。

図1: GARDIAN OW 6パックの内容

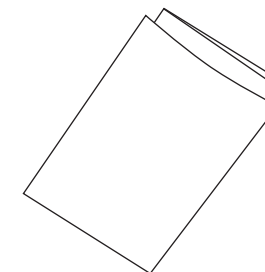
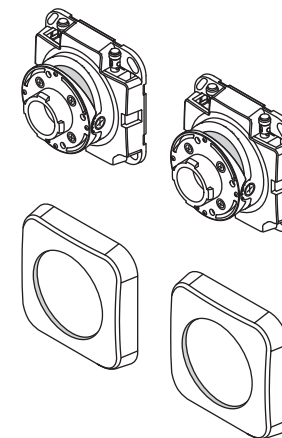
2 × DALI GARDIAN OW 6



2 × 壁掛けブラケット

2 × 壁掛けブラケットカバー

1 × ドキュメントパック



4.0 配置と据付

GARDIAN OW 6は、屋外または湿度の高い屋内でのご使用を目的とした、パッシブ壁取り付け型スピーカーです。防水・防塵性能 IP67を備え、-20°C ~ +70°Cの温度範囲でご使用いただけます。

GARDIAN OW 6には、スピーカー接続機能を組み込んだクリック&コネクタ(簡単取り付け)壁掛けブラケットが付属しております。本アンプの接続端子はブラケット内にあり、カチッと合えばスピーカーが自動的に接続されます。

GARDIAN OW 6壁掛けブラケットをご使用いただくと、パンまたはチルト調整が可能になり、リスニングエリアの上または横に取り付けられたスピーカーを、ご必要に応じて、角度を付けて出力することができます。また、この壁掛けブラケットは、縦向きまたは横向きのスピーカー設置オプションにも対応し、同心円状に配置されたドライバーにより、GARDIAN OW 6の分散特性はどちらの方向でも一定に保たれ

ます。これにより、GARDIAN OW 6の設置汎用性が大幅に向上します。

GARDIAN OW 6の取り付け場所は、環境と設置タイプに応じて適切に選択する必要があります。

以下の段落では、GARDIAN OW 6の一般的な配置ガイドラインについてご説明します。GARDIAN OW 6壁掛けブラケットのご使用方法については、セクション 4.2以降に図解と説明が記載されております。

ステレオ設置

ステレオ設置は、一般的に従来のガイドラインに従い、主要なリスニングエリアを3番目の頂点に含む、正三角形の2つの頂点に1組のスピーカーを配置する必要があります。スピーカーがリスニング位置よりかなり高い位置にある場合は、下向きに傾けることもできます。GARDIAN OW 6の広い分散性により、スピーカーを中央のリスニングエリアに向けて「トワイ

ンする(スピーカーをリスニングポジションに向かって少し内側に傾ける)」必要はございません。

バックグラウンドサウンド設置

分散型バックグラウンドサウンド用途の場合、GARDIAN OW 6の取り付け位置は、必要なエリアを一貫してカバーできるように間隔をあける必要があります。スピーカーがリスニング位置よりかなり高い位置にある場合は、下向きに傾けることもできます。バックグラウンドサウンドスピーカーには、ステレオではなくモノラルオーディオを供給するのが最適です。

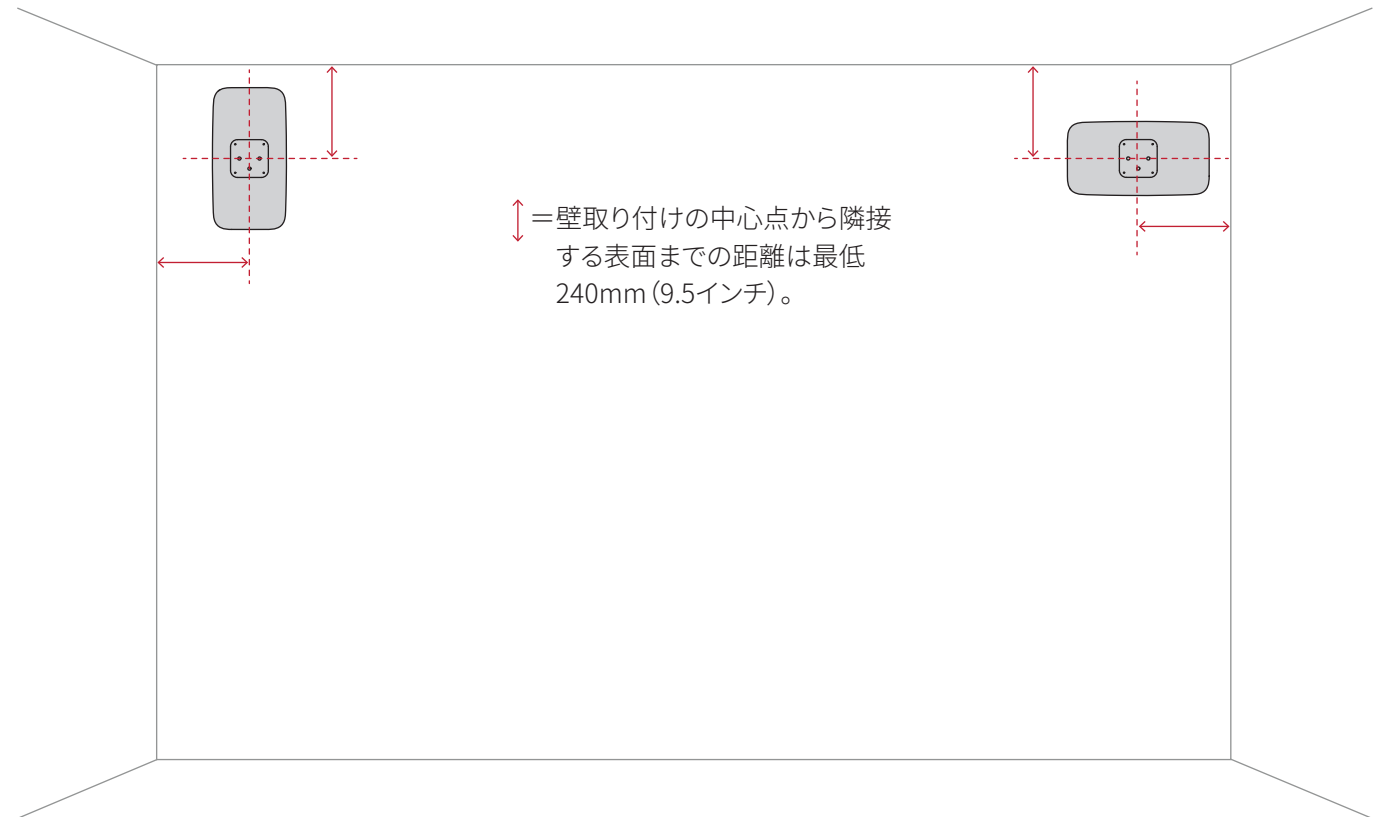
! 他のパッシブスピーカーと同様に、DALI GARDIAN OW 6をコーナーの近くに設置すると、低音が強調されます。アンプのEQ機能を使用して、コーナー設置による低周波強調を補正することができます。

4.1 配置

GARDIAN OW 6スピーカーを壁掛けブラケットにクリックフィットさせるには、側壁または天井からの距離を、最小限離して取り付ける必要があります。最小距離を図2に示しております。

正しく取り付けるには、箱に同梱されている壁取り付けテンプレートをご使用ください。

図2: GARDIAN OW 6取り付けクリアランス (ゆとり幅)

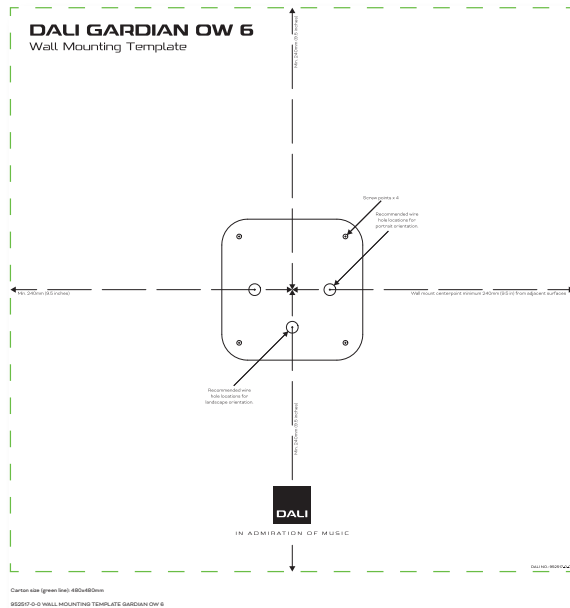


4.2 壁掛けブラケットの接続と取り付け

4.2.1 壁掛け用テンプレート

GARDIAN OW 6壁掛けブラケットの取り付けを開始するには、付属の壁掛け用テンプレートを使用して正しい取り付け位置を見つけてください。壁掛け用テンプレートは配送ボックスに入っています。

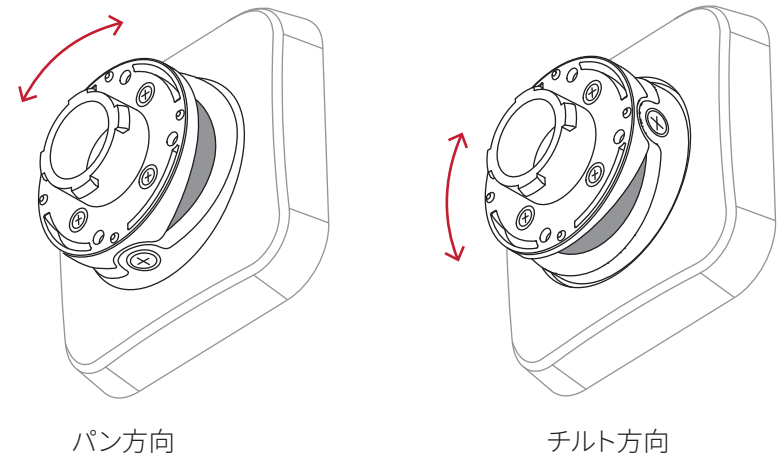
図3: GARDIAN OW 6壁掛け用テンプレート



4.2.2 パン&チルト

GARDIAN OW 6スピーカーのチルトまたはパン調整のご必要に応じて、壁掛けブラケットを正しい方向に取り付ける必要があります。ブラケットのパンまたはチルトの向きを図4に示しております。

図4: GARDIAN OW 6壁掛けブラケットのパン&チルト方向



4.2 壁掛けブラケットの接続と取り付け

4.2.3 壁掛けブラケットの接続と取り付け

壁掛けブラケットのカバーを取り外した状態で、適切なスピーカーケーブルを使用して、本アンプをGARDIAN OW 6壁掛けブラケットのスプリング端子に接続します。アンプのプラス端子 (+) を壁掛けブラケットのプラス端子 (赤) に接続し、アンプのマイナス端子 (-) を壁掛けブラケットのマイナス端子 (黒) に接続します。常に、高品質で低抵抗のスピーカーケーブルをご使用ください。スピーカーケーブルの接続は図5に示しております。

! スピーカーケーブルを接続する間は、本アンプの電源がオフになっていることをご確認ください。

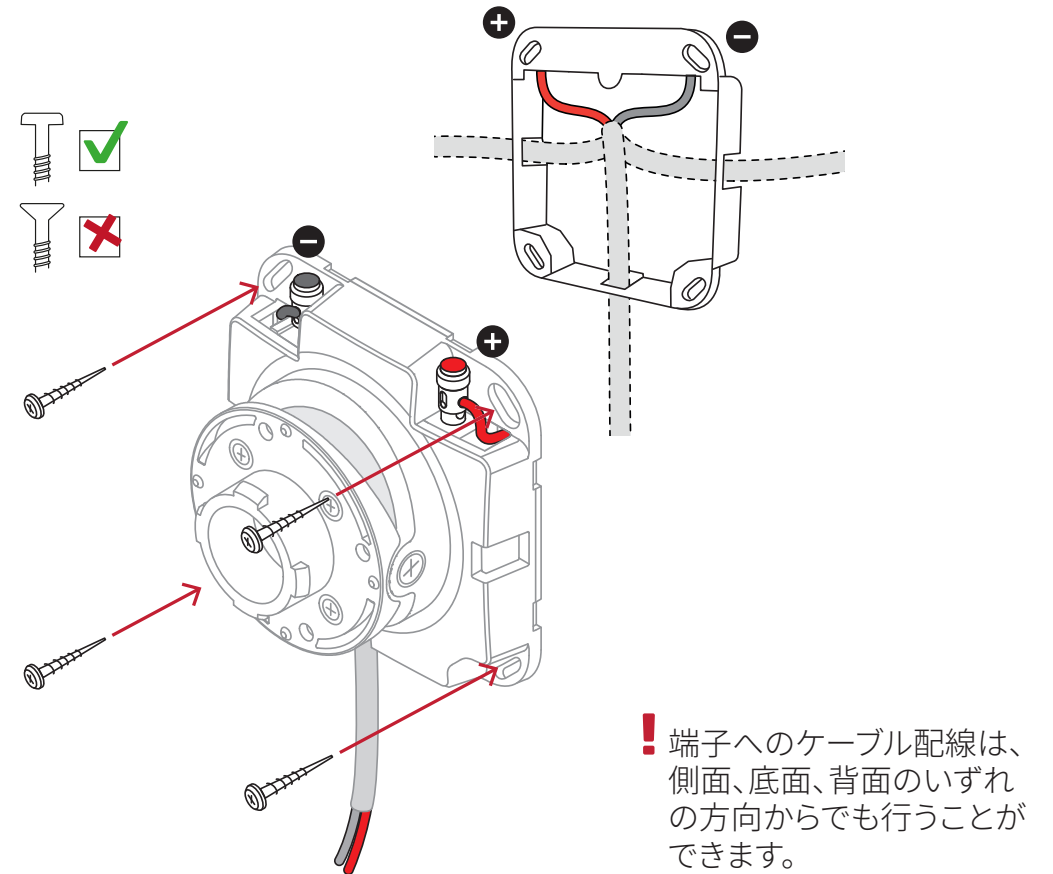
ご必要に応じて、4本のネジと適切な壁取り付け具を使用して、GARDIAN OW 6壁掛けブラケットを壁またはその他の構造物に取り付けます。GARDIAN OW 6スピーカーと壁掛けブラケットが取り付けられている構造が、それらの重量に容易に耐えられることを常にご確認ください。

! GARDIAN OW 6壁掛けブラケットを安全に取り付けられるかどうかご心配がございましたら、資格のある専門家のサポートを受けてください。

! お取り付け時に壁掛けブラケットが損傷するのを防ぐため、丸頭平底ネジのご使用をお勧めいたします。皿ネジ (底が円錐形) を使用すると、ブラケットの穴が損傷する可能性がございます。

壁掛けブラケットの接続と取り付けを図6に示しております。

図5: GARDIAN OW 6壁掛けブラケットの取り付けと接続



! 端子へのケーブル配線は、側面、底面、背面のいずれの方向からでも行うことができます。

4.2 壁掛けブラケットの接続と取り付け

4.2.4 壁掛けブラケットカバー取り付け

壁掛けブラケットを接続して壁にしっかりと固定したら、カバーを再び取り付けることができます。カバーを、カチッと音がして所定の位置に収まるまで押します。

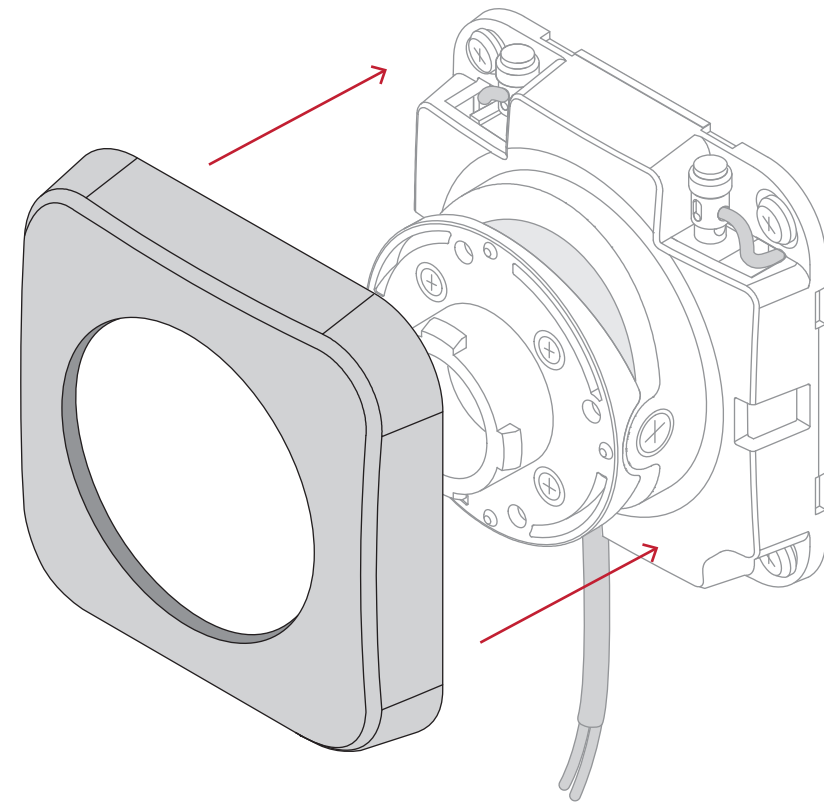
壁掛けブラケットカバーの取り付けを図6に示しております。

4.2.5 壁掛けブラケットカバーの取り外し

壁掛けブラケットの接続端子と固定穴に再びアクセスするには、ブラケットカバーを取り外す必要があります。カバーを掴んで壁掛けブラケット本体から引き離すだけです。

カバーを取り外す際には、マイナスドライバーが便利です。

図6: GARDIAN OW 6壁掛けブラケットカバーを元に戻す



4.2 壁掛けブラケットの接続と取り付け

4.2.6 スピーカー取り付け

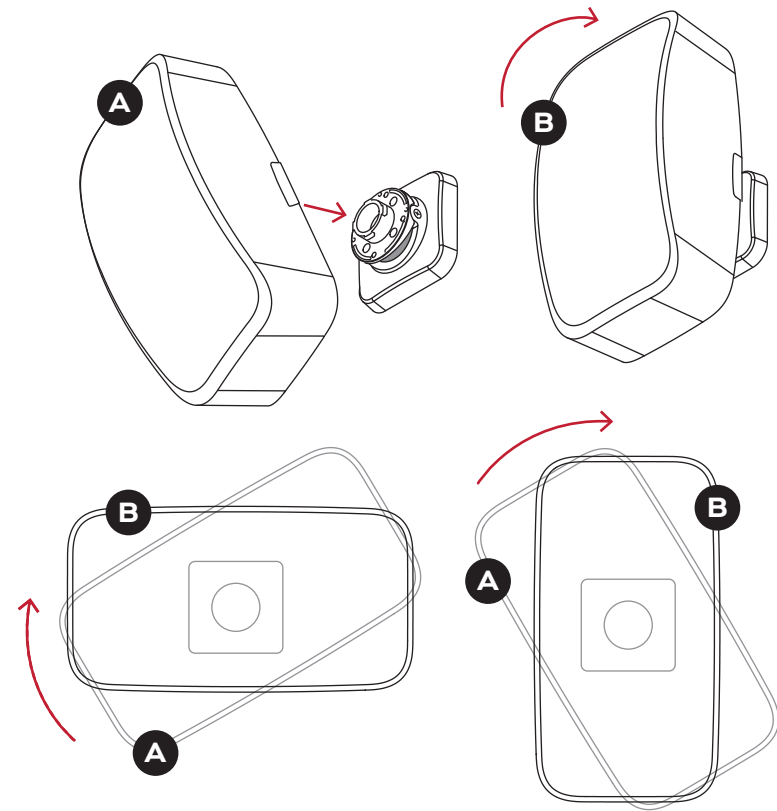
壁掛けブラケットをアンプに接続し、しっかりと固定し、ブラケットカバーを元に戻したら、GARDIAN OW 6スピーカーを取り付けることができます。横向きまたは縦向きのスピーカーの取り付け手順は同じです。

スピーカーを取り付けるには、ブラケットに対して約20°の回転角度でスピーカーを固定し、**A**スピーカーポストを壁掛けブラケットの開口部に挿入します。ポストが完全に挿入されたら、スピーカーを時計回りに垂直方向に回転させます。**B**。スピーカーは垂直に達すると、カチッと所定の位置に固定されます。

GARDIAN OW 6スピーカーの取り付け手順を図7に示しております。

! GARDIAN OW 6ブラケットを、スピーカーを取り付けないまま長期間放置される場合、ブラケットプロテクターを取り付ける必要があります。ブラケットプロテクターは、DALI小売店および販売代理店からご購入いただけます。セクション4.2.9では、ブラケットプロテクターのご使用についてご説明いたします。

図7: GARDIAN OW 6クリック&コネクトスピーカーの取り付け



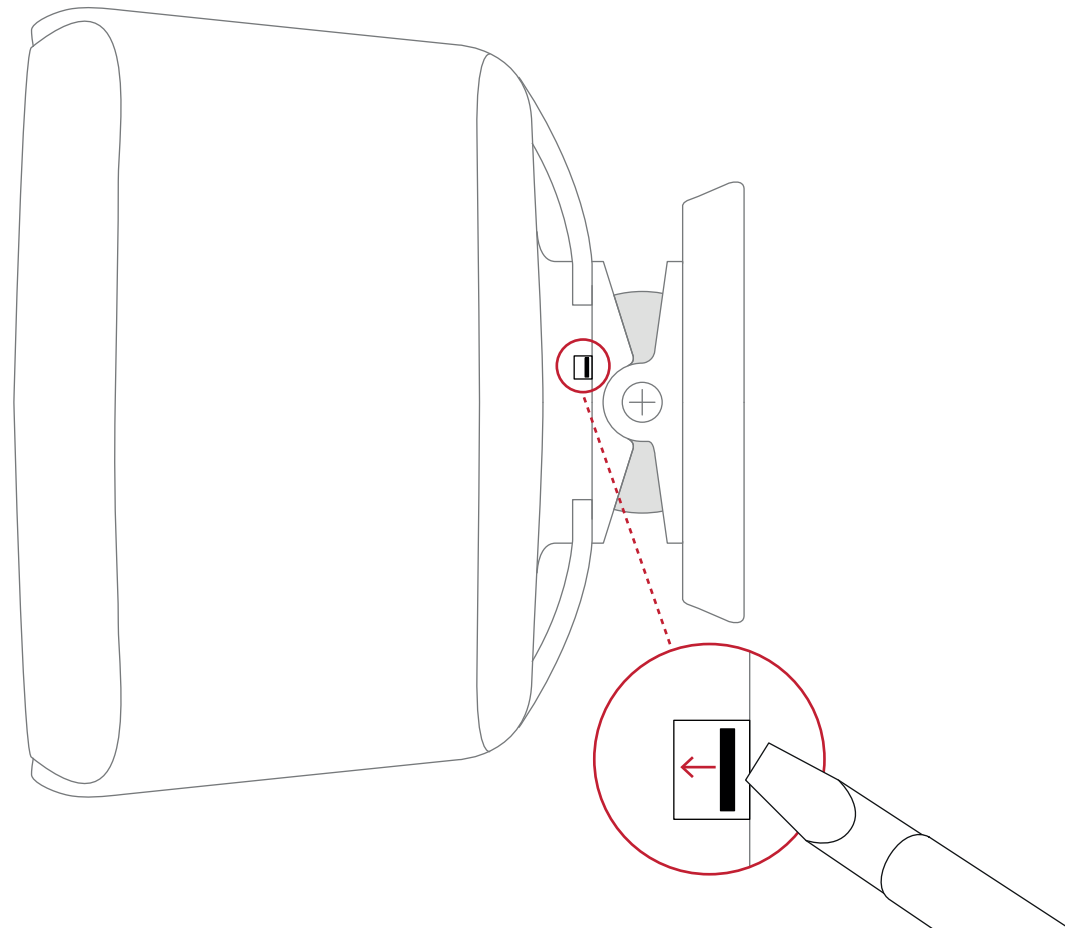
4.2 壁掛けブラケットの接続と取り付け

4.2.7 スピーカーの取り外し

GARDIAN OW 6をブラケットから取り外すには、お取り付けの逆の手順を実行します。マイナスイドライバーを使用して、スピーカーの後ろにある小さなロック解除ピンを押し、スピーカーを反時計回りに約20度回転させ、ブラケットポストから引き抜きます。

GARDIAN OW 6スピーカーのお取り外し手順を図8に示しております。

図8: GARDIAN OW 6ブラケットポストからの取り外し



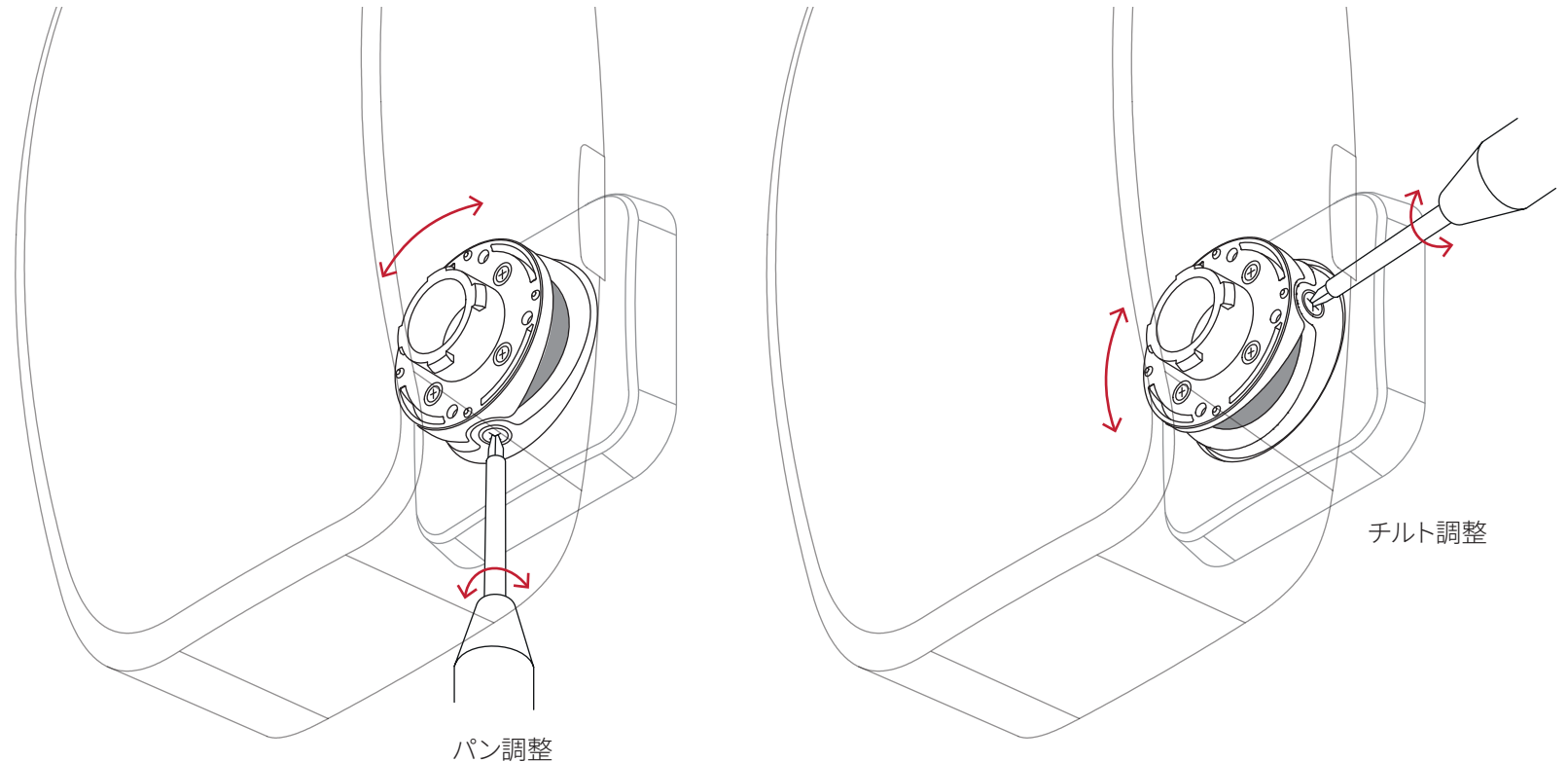
4.2 壁掛けブラケットの接続と取り付け

4.2.8 パンまたはチルト調整

GARDIAN OW 6スピーカーを壁掛けブラケットにしっかりと取り付け、アンプに接続すると、パンまたはチルトの調整が可能になります。パンまたはチルトを調整するには、クロスヘッド調整ネジを緩め、ご必要な調整を行ってからネジを締め直すだけです。

パンとチルトの調整を図9に示しております。

図9: GARDIAN OW 6のパンとチルト調整



4.2 壁掛けブラケットの接続と取り付け

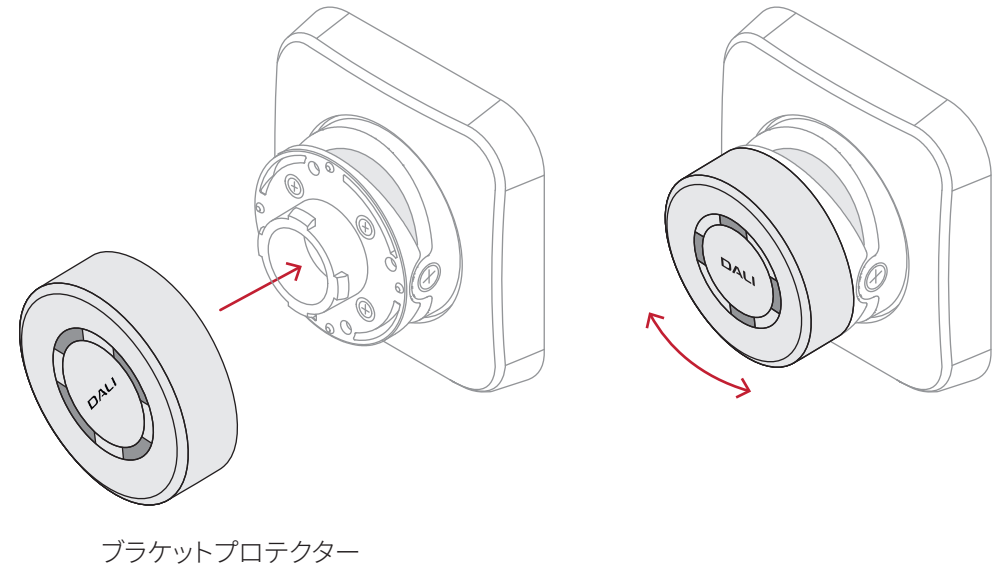
4.2.9 ブラケットプロテクター取り付け

GARDIAN OW 6ブラケットをスピーカーを取り付けずに長時間屋外に放置される場合、ブラケットプロテクターを取り付ける必要があります。ブラケットプロテクターは、スピーカーが取り付けられていない間、ブラケット内の接続部品を屋外の環境から保護します。ブラケットプロテクターは、DALI小売店および販売代理店からご購入いただけます。

ブラケットプロテクターを取り付けるには、ブラケットポストに押し当てて45度回転させるだけです。

! 本ブラケットプロテクターはアクセサリとして販売されております。

図10: GARDIAN OW 6ブラケットプロテクター取り付け



4.2 壁掛けブラケットの接続と取り付け

4.2.10 安全ワイヤーの取り付け

GARDIAN OW 6スピーカーは、最大2メートル(78.7インチ)の高さに設置するように設計されています。2メートルを超える高さに取り付ける場合は、安全ワイヤーをスピーカーに取り付ける必要があります。

図11は、安全ワイヤーの取り付け方法を示しています。

GARDIAN OW 6スピーカーは必ず、その重量を容易に支えることができる構造物にのみお取り付けください。

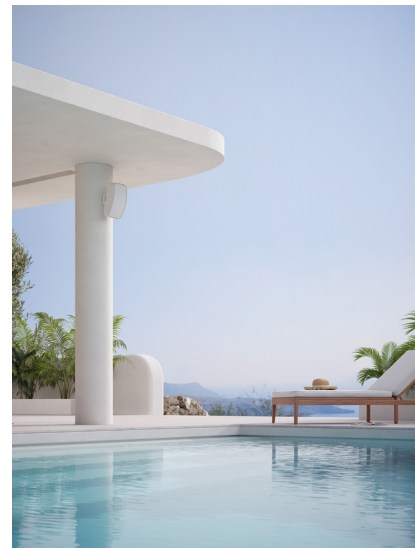
DIAGRAMA 11: FIJACIÓN DE LÍNEA DE SEGURIDAD



5.0 屋外スピーカーの設置

屋外スピーカーの設置は、さまざまな状況に対応できます。例えば、屋外のデッキエリアでの一般的なオーディオカバーエリアから、プールエリア、バーベキューエリア、ガレージ、さらには半密閉型ホームシアターでのマルチチャンネルオーディオの用途まで、さまざまな用途にご使用いただけます。

GARDIAN OW 6は、不規則で取り付けに適さない構造や表面を持つ一般的な屋外環境でも、ご利用可能な取り付け資産に合わせて成形するのに必要な汎用性をすべて備えており、あらゆる屋外設置を最適化できます。本ページの画像は、複数の可能性を示しております。



6.0 慣らし運転

他の機械システムと同様に、スピーカーも、最高のパフォーマンスを発揮するには「慣らし運転」期間が必要です。最初のご使用期間中は、徐々に音質が向上するのをご実感いただけます。慣らし期間は、ご使用状況や再生音量によって異なります。最大のパフォーマンスに達するまで、最大100時間の再生が見込まれます。他の機械システムとは異なり、スピーカーの寿命は、音楽を通常通り定期的に再生することで延びます。

7.0 クリーニング

GARDIAN OW 6は防水機能を備えているため、ご必要に応じて水洗いできます。濡れた布か柔らかいブラシをご使用ください。その際に、スピーカーグリルを取り外さないでください。また、溶剤ベースの洗浄液はご使用にならないでください。また、直接噴射の水やスチームクリーナーもご使用にならないでください。

GARDIAN OW 6を自然乾燥させてください。直接熱源をご使用にならないでください。

8.0 廃棄処分

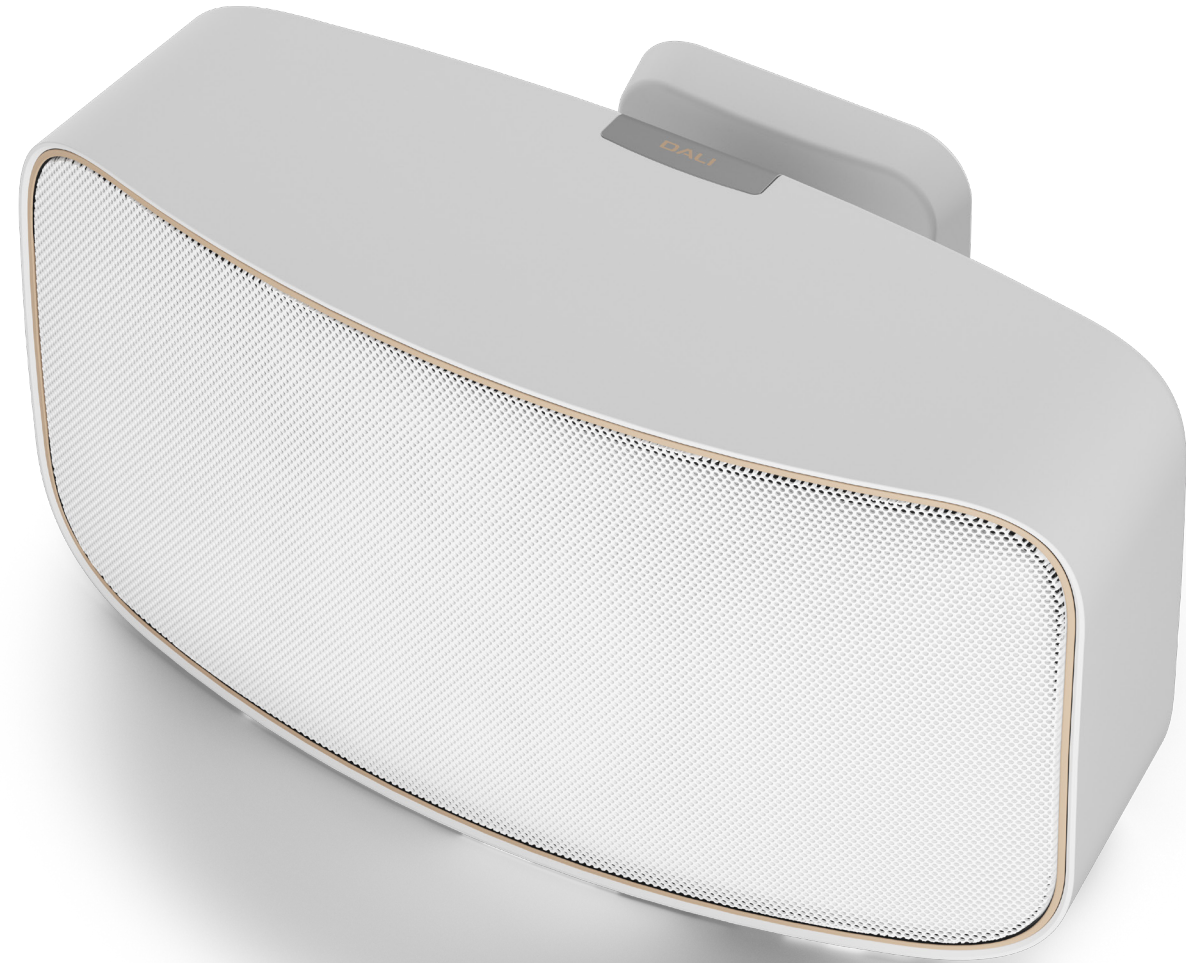
本製品には電気または電子材料が含まれています。これらの材料が含まれていることにより、本製品が適切に廃棄されないと環境や人の健康に悪影響を及ぼす可能性があります。製品上にこのラベルが表示されている場合、本製品は非分別ごみとして廃棄すべきでなく、別に回収されるべきであることを意味します。本製品を適切に廃棄するのは、消費者であるお客様のご責任となります。



9.0 技術仕様

GARDIAN	OW 6
周波数範囲	47 - 25,000 Hz +/- 3dB
感度	84 dB @ 1 m for 2.83 V
公称インピーダンス	6 Ohm
最大SPL	103 dB
クロスオーバー周波数	2,700 Hz
クロスオーバー原理	2方向
推奨アンプ出力	50 - 200 Watt
高周波数帯域ドライバー	1 × 25 mmソフトドーム (同軸マウント)
高周波ダイアフラム	柔らかい織り生地
低/中周波数帯域ドライバー	1×5インチ
低/中周波ダイアフラム	ポリプロピレン
入力用接続	単線
エンクロージャーのタイプ	質量調整エンクロージャ 2×5インチ (楕円形) パッシブラジエーター
その他の機能	クリック&コネクト壁掛けブラケット
設置場所	壁面/天井面
推奨設置場所	天井/前方/中央/周囲
IP等級	IP 67
グリルを含む外形寸法 (高さ×幅×奥行き)	200 × 372 × 206 mm / 7.87 × 14.65 × 8.11インチ
グリルを含む重量	4.08 kg / 9 lbs
出荷時重量 (ペア)	10.4 kg / 22.92 lbs
仕上げ	White / Black
付属品	壁掛け用テンプレート
オプションのアクセサリ	壁掛けブラケットカバー

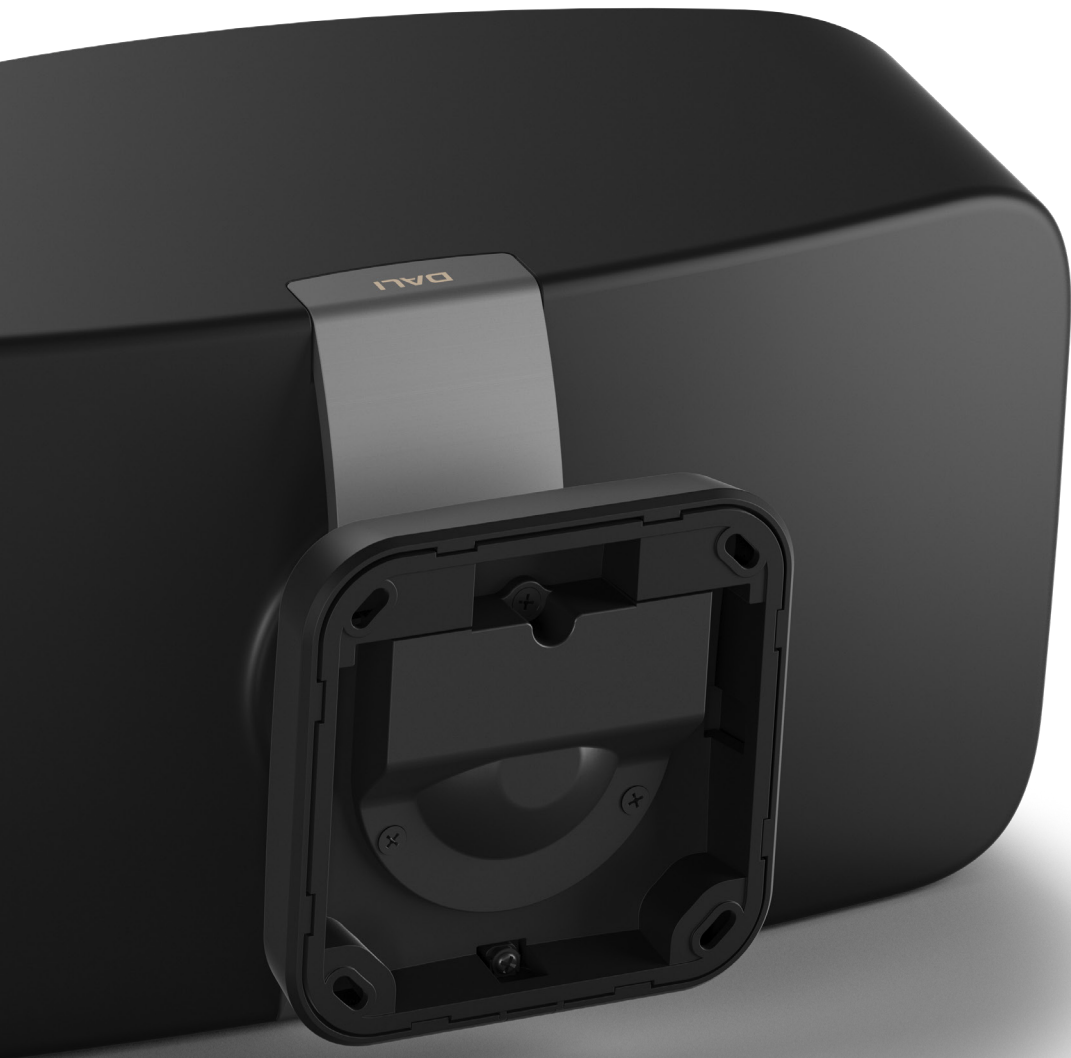
技術仕様はすべて予告なしに変更される場合があります。



DALI

达尼
GARDIAN
OW 6
安装手册





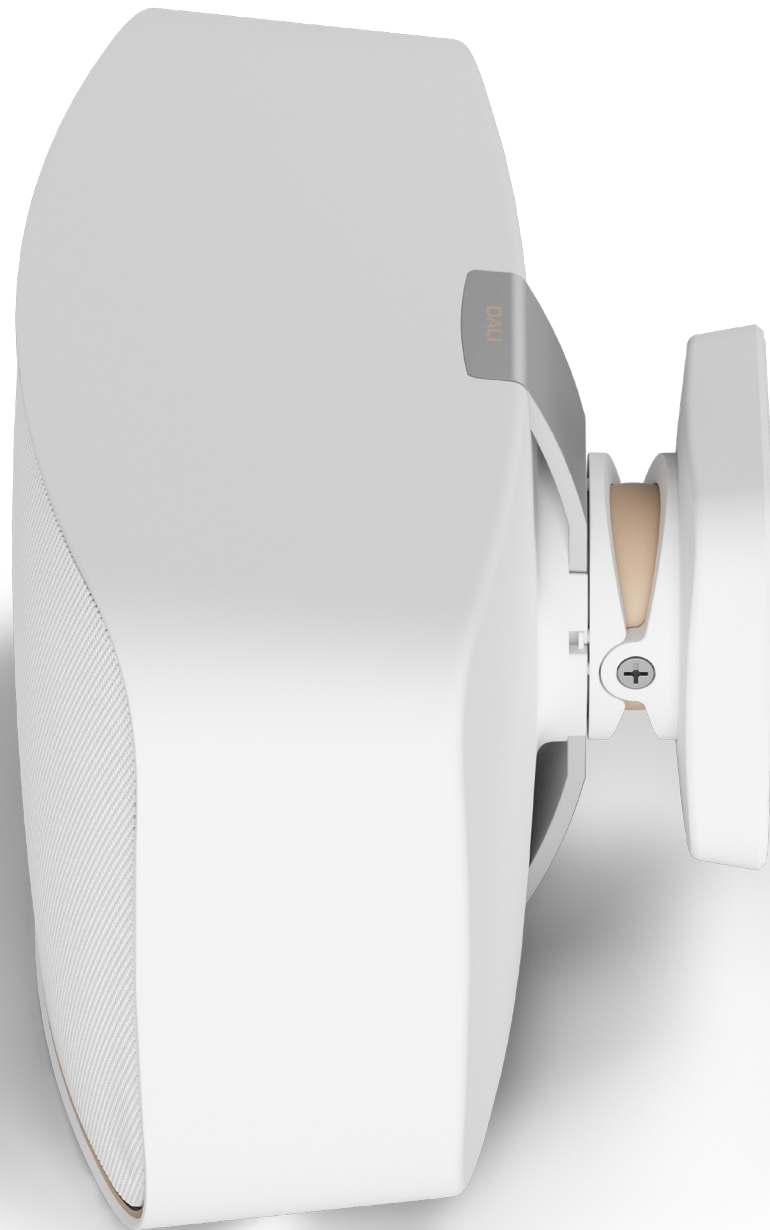
目录

1.0	简介	112
2.0	安全注意事项	113
3.0	开箱	114
4.0	摆放和安装	115
4.1	摆放	116
4.2	墙壁托架连接与安装	117
4.2.1	壁挂安装模板	117
4.2.2	平移和倾斜	117
4.2.3	墙壁托架连接与安装	118
4.2.4	墙壁托架盖安装	119
4.2.5	墙壁托架盖拆卸	119
4.2.6	音箱安装	120
4.2.7	音箱拆卸	121
4.2.8	平移或倾斜调节	122
4.2.9	托架保护罩安装	123
4.2.10	连接安全线	124
5.0	户外音箱安装	125
6.0	煲机	126
7.0	清洁	126
8.0	处理	126
9.0	技术规格	127

1.0 简介

恭喜您购买新的达尼 GARDIAN OW 6 壁挂式户外音箱。达尼 GARDIAN OW 6 专为户外场所而设计，可全天候满足您的高质量音频需求。GARDIAN OW 6 的防尘防水等级为 IP67，适用于 -20°C 至 +70°C 的温度范围。该音箱包含一个插接式安装连接托架，可实现横向或竖向安装，支持简单的平移或倾斜调节。

为了使您新购买的达尼 GARDIAN OW 6 实现最佳效果，建议您在开箱和安装音箱前，仔细阅读本手册的内容。如需了解更多详情，请访问我们的网站 www.dali-speaker.com 或联系您的达尼授权零售商。





2.0 安全注意事项

- 始终遵守安全注意事项。
- GARDIAN OW 6 音箱应由合格的专业音响安装技术人员安装。
- 务必确保用于安装 GARDIAN OW 6 音箱的结构能够轻松支撑其重量。
- 确保 GARDIAN OW 6 安装位置的结构内未埋设电力或数据线缆、天然气管道或水管、通风管道等公用设施。
- 将线缆连接到 GARDIAN OW 6 音箱时, 请确保驱动放大器处于关闭状态。
- 如果将多台达尼 GARDIAN OW 6 并联连接到同一个放大器输出通道, 应参考放大器的技术规格, 确保放大器能够处理负载。如需更多帮助, 请联系您的达尼授权零售商或安装商。
- 长时间高音量使用音箱可能导致听力受损。请勿把音量调高到舒适水平以上。
- GARDIAN OW 6 音箱的最大安装高度为 2 米。安装高度超过 2 米时, 需要在音箱上连接安全线。见第 4.2.10 节。

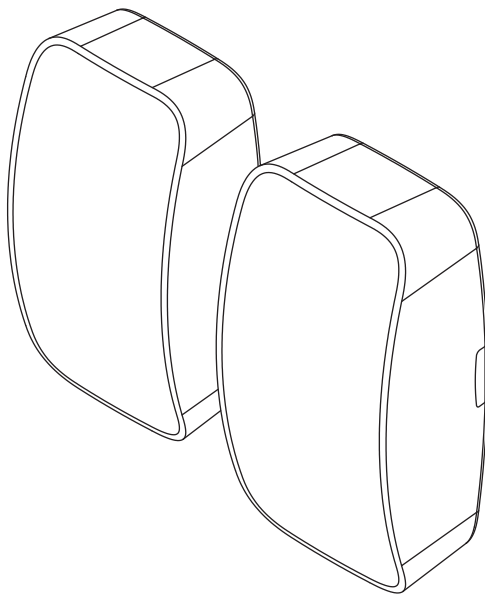
3.0 开箱

打开 GARDIAN OW 6 的包装箱时, 注意不要损坏箱内物品。开箱完后, 请检查图 1 列出和显示的所有零部件是否齐全。

建议保留包装材料, 以防需要搬移 GARDIAN OW 6。但如果要丢弃包装材料, 请确保负责任地处理, 并尽可能回收利用。

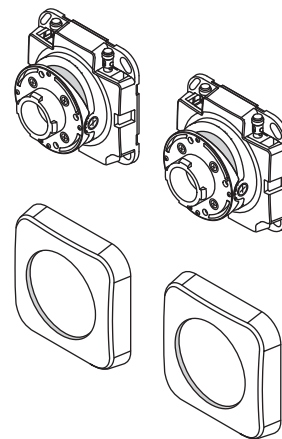
图 1: GARDIAN OW 6 包装清单

2 × 达尼 GARDIAN OW 6

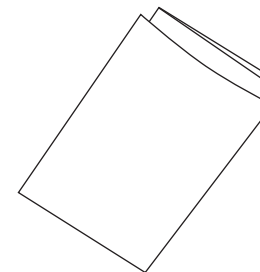


2 × 墙壁托架

2 × 墙壁托架盖



1 × 文档包



4.0 摆放和安装

GARDIAN OW 6 是一款无源壁挂式音箱, 适用于室外或高湿度室内场景。该音箱具有 IP67 级防水防尘性能, 可在 -20°C 至 +70°C 的温度下使用。

GARDIAN OW 6 配备了一个插接式墙壁托架, 其中包含音箱连接装置。放大器连接端子位于托架内, 插入到位后音箱会自动连接。

GARDIAN OW 6 墙壁托架支持平移或倾斜调节, 因此安装在聆听区上方或侧面的音箱可以进行角度调整, 以实现所需的输出方向。这款墙壁托架还支持音箱竖向或横向安装, 并且由于驱动单元为同心排列, GARDIAN OW 6 的扩散特性在任何方向上都能保持一致, 从而大大提高了 GARDIAN OW 6 的安装灵活性。

应根据环境和安装类型适当选择 GARDIAN OW 6 的安装位置。

下文介绍了 GARDIAN OW 6 的一般摆放指南。GARDIAN OW 6 墙壁托架的使用方法见第 4.2 节及后续章节中的图示和说明。

立体声安装

立体声安装通常应遵循常规指南, 将一对音箱放置在等边三角形的两个顶点处, 主聆听区则位于该三角形的第三个顶点处。如果音箱的位置明显高于聆听位置, 可将音箱向下倾斜。GARDIAN OW 6 具有宽扩散效果, 这意味着音箱无需向聆听区的中心位置拗入。

背景声安装

对于分布式背景声应用, GARDIAN OW 6 的安装位置应保持一定间距, 确保两台音箱能够连续覆盖所需区域。如果音箱的位置明显高于聆听位置, 可将音箱向下倾斜。背景声音箱最好采用单声道音频而不是立体声。

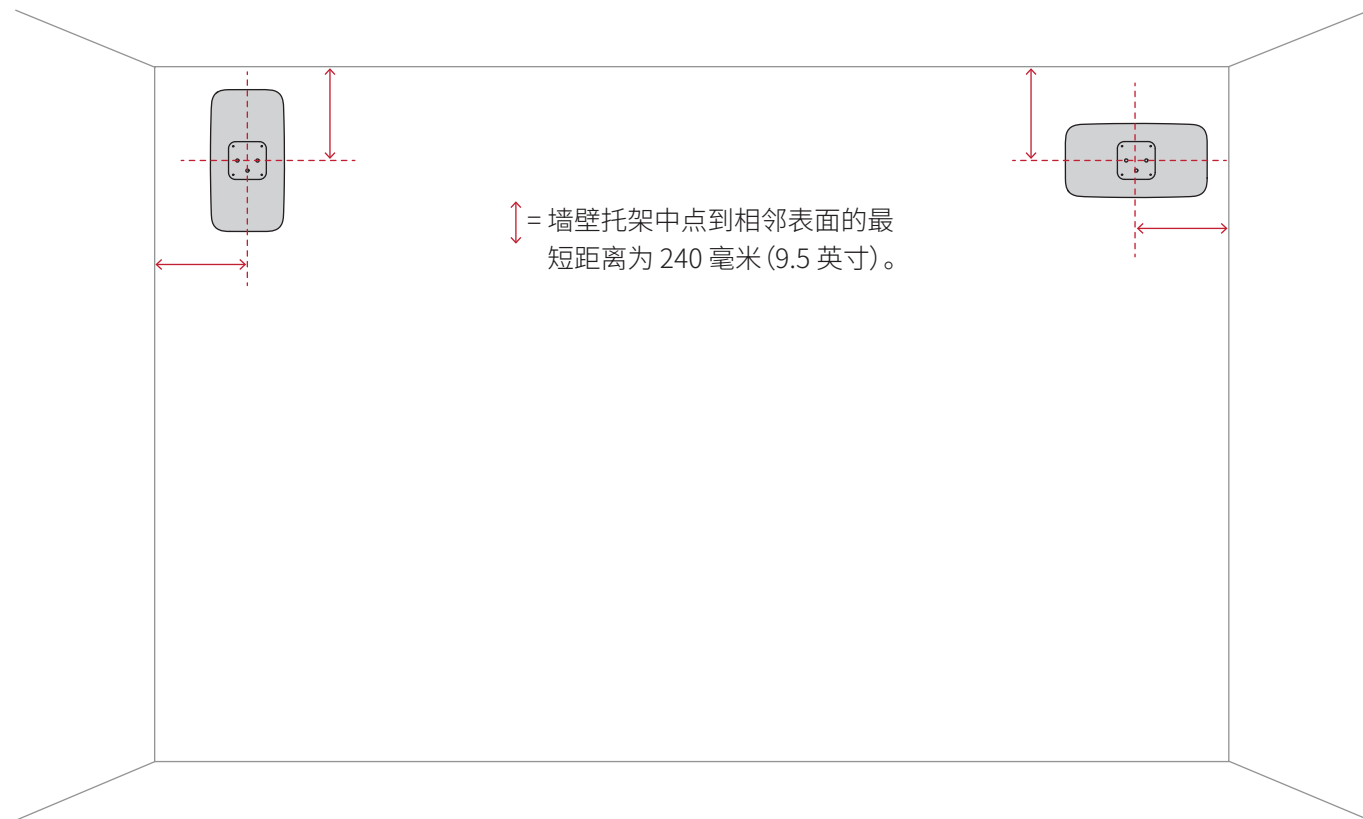
! 与所有无源音箱一样, 将达尼 GARDIAN OW 6 靠墙角摆放会导致低音效果突出。放大器均衡器可用于补偿墙角安装时的低频突出现象。

4.1 摆放

为了将 GARDIAN OW 6 音箱插接到墙壁托架上, 必须将音箱安装在离侧墙或天花板最短的距离处。最短距离如图 2 所示。

为了实现正确安装, 请使用箱内随附的壁挂安装模板。

图 2: GARDIAN OW 6 安装间隙

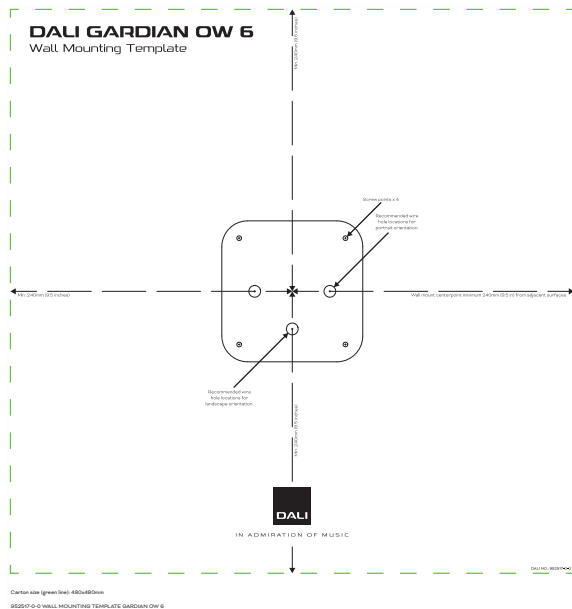


4.2 墙壁托架连接与安装

4.2.1 壁挂安装模板

开始安装 GARDIAN OW 6 墙壁托架前, 请使用随附的壁挂安装模板找到正确的安装位置。壁挂安装模板可在外包装箱内找到。

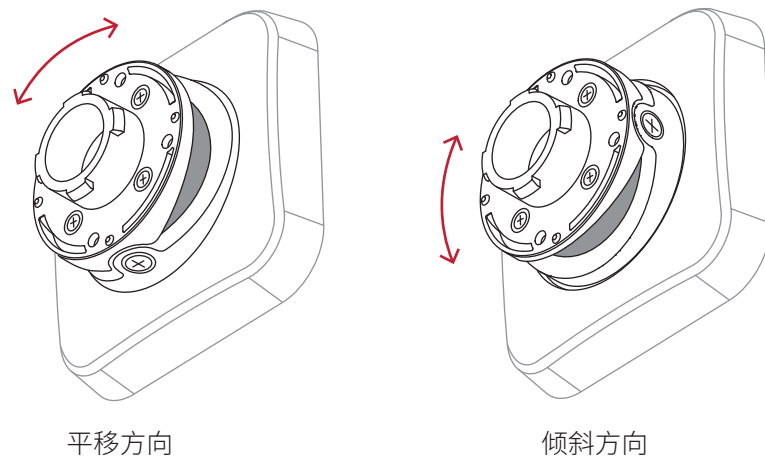
图 3: GARDIAN OW 6 壁挂安装模板



4.2.2 平移和倾斜

墙壁托架必须以正确方向安装, 具体取决于需要采用倾斜还是平移的方式来调节 GARDIAN OW 6 音箱。托架的平移和倾斜方向如图 4 所示。

图 4: GARDIAN OW 6 墙壁托架平移和倾斜方向



4.2 墙壁托架连接与安装

4.2.3 墙壁托架连接与安装

拆下墙壁托架盖后,使用合适的音箱线缆将放大器连接到 GARDIAN OW 6 墙壁托架的弹簧式接线端子。将放大器的正极接线端子 (+) 与墙壁托架的正极接线端子 (红色) 相连,放大器的负极接线端子 (-) 与墙壁托架的负极接线端子 (黑色) 相连。务必使用优质低电阻音箱线缆。音箱线缆连接如图 5 所示。

! 连接音箱线缆时,请确保放大器处于关闭状态。

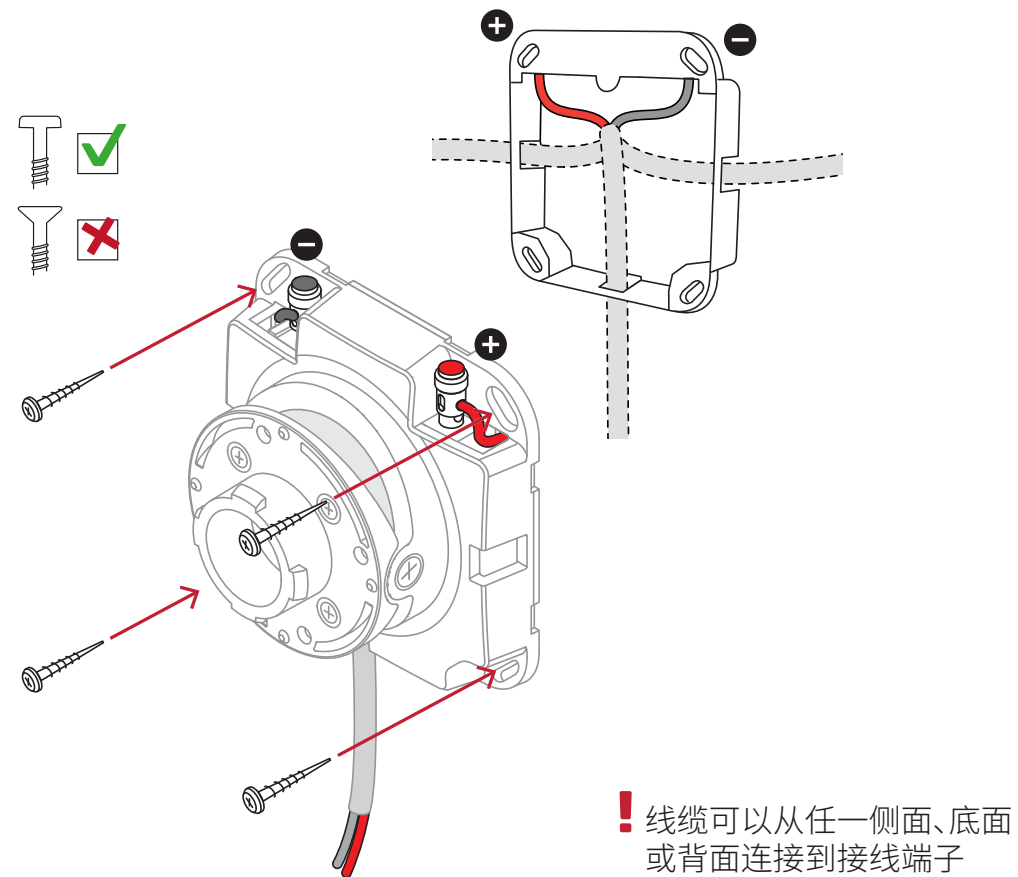
使用四颗螺钉和适当的墙壁配件 (如需要) 将 GARDIAN OW 6 墙壁托架安装到墙壁或其他结构上。务必确保用于安装 GARDIAN OW 6 音箱和墙壁托架的结构能够轻松支撑其重量。

! 如果您不确定自己是否有能力牢固安装 GARDIAN OW 6 墙壁托架,应向有资质的专业人员寻求帮助。

! 为了避免在安装过程中损坏墙壁托架,建议使用圆头平底螺钉。沉头螺钉 (锥形底部) 可能会损坏托架孔和托架。

墙壁托架的连接与安装如图 6 所示。

图 5: GARDIAN OW 6 墙壁托架安装与连接



4.2 墙壁托架连接与安装

4.2.4 墙壁托架盖安装

将一个墙壁托架连接并牢牢固定在墙壁上后,可重新装上盖子。按压盖子,直到其插接到位。

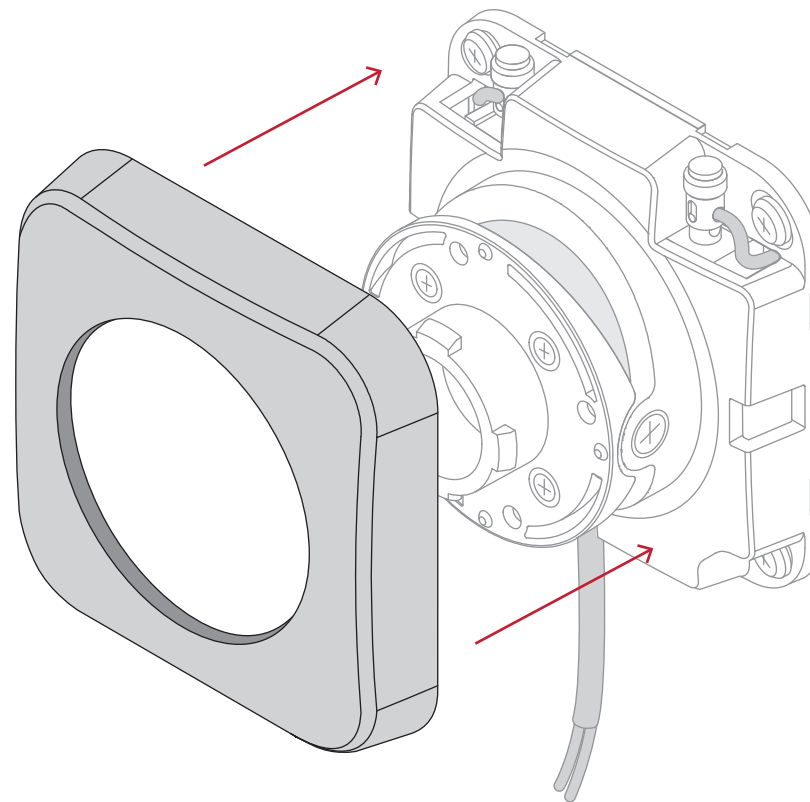
墙壁托架盖的安装如图 6 所示。

4.2.5 墙壁托架盖拆卸

如果要再次使用墙壁托架的连接端子和固定孔,必须拆下托架盖。只需抓住盖子将其从墙壁托架主体上拔下即可。

可借助一字螺丝刀来拆卸盖子。

图 6: GARDIAN OW 6 墙壁托架盖安装



4.2 墙壁托架连接与安装

4.2.6 音箱安装

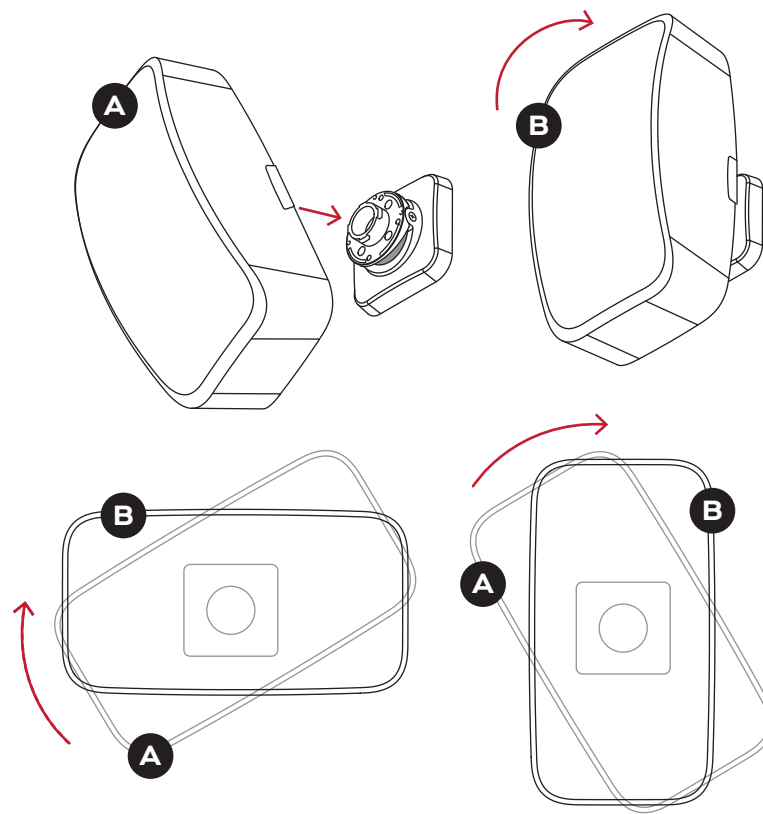
将墙壁托架连接到放大器并牢牢固定到位后,重新装上托架盖即可开始安装 GARDIAN OW 6 音箱。横向和竖向音箱的安装步骤相同。

要安装音箱,请将音箱以约 20° 的旋转角度置于托架前方 **A**,然后将音箱柱插入墙壁托架孔中。音箱柱完全插入后,将音箱朝竖直方向顺时针旋转 **B**。音箱到达竖直方向后即可插接到位。

GARDIAN OW 6 音箱的安装步骤如图 7 所示。

! 如果 GARDIAN OW 6 托架上暂不安装音箱,则无论时间长短,都应安装托架保护罩。托架保护罩可从达尼零售商和分销商处购买。第 4.2.9 节介绍了如何使用托架保护罩。

图 7: GARDIAN OW 6 音箱插接式安装



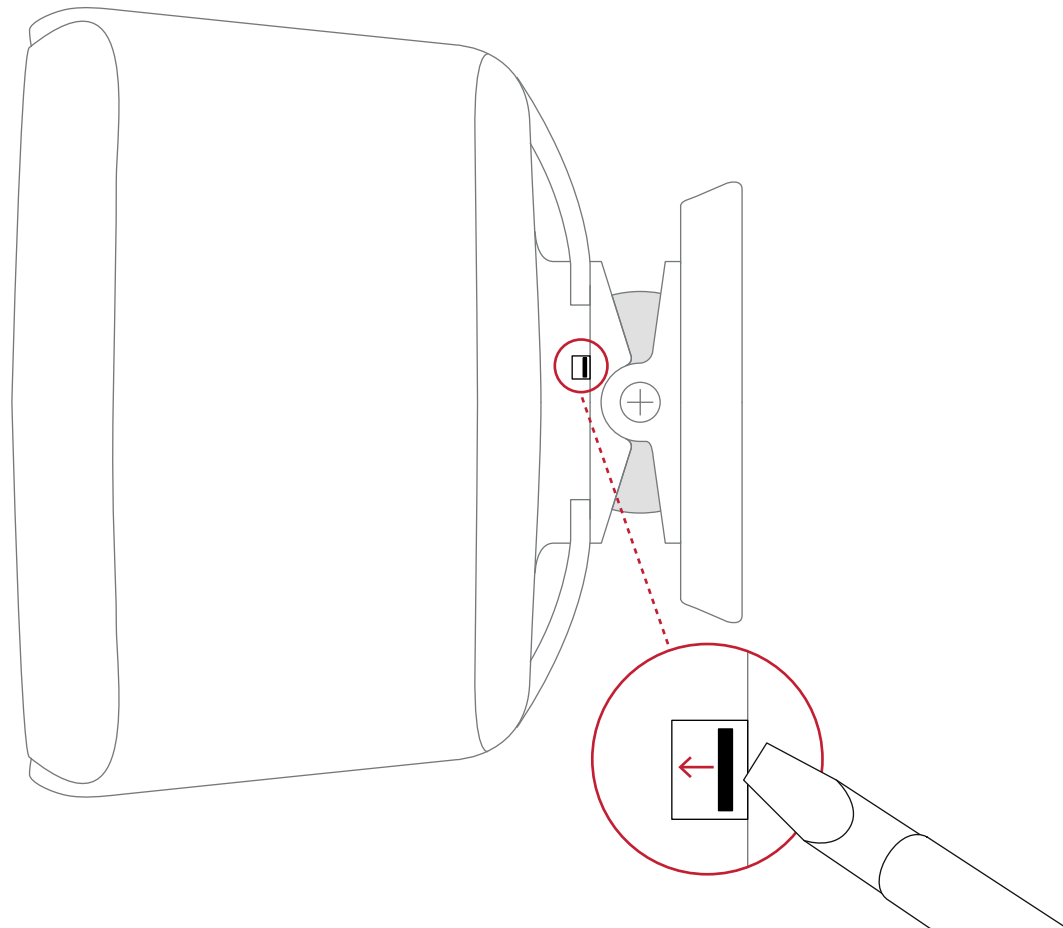
4.2 墙壁托架连接与安装

4.2.7 音箱拆卸

从托架上拆下 GARDIAN OW 6 的步骤与安装步骤相反。使用一字螺丝刀按压音箱背面的小解锁销，将音箱逆时针旋转约 20°，然后从托架柱上取下。

GARDIAN OW 6 音箱的拆卸过程如图 8 所示。

图 8: 从托架柱上拆下 GARDIAN OW 6



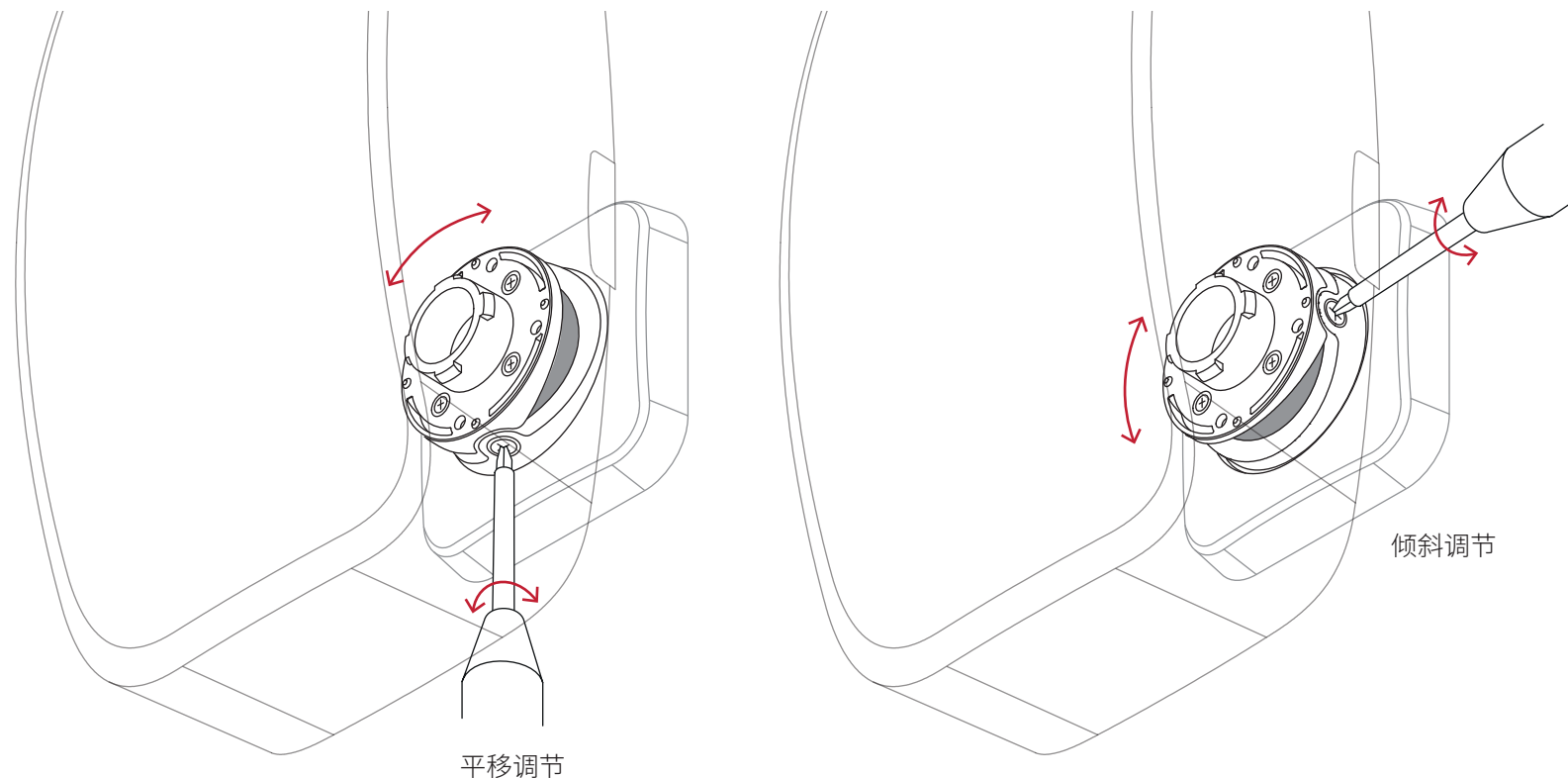
4.2 墙壁托架连接与安装

4.2.8 平移或倾斜调节

将 GARDIAN OW 6 音箱牢固安装到墙壁托架上并连接到放大器后, 可以进行平移或倾斜调节。要进行平移或倾斜调节, 只需松开十字头调节螺钉, 进行所需的调节, 然后重新拧紧螺钉即可。

平移和倾斜调节如图 9 所示。

图 9: GARDIAN OW 6 平移和倾斜调节



4.2 墙壁托架连接与安装

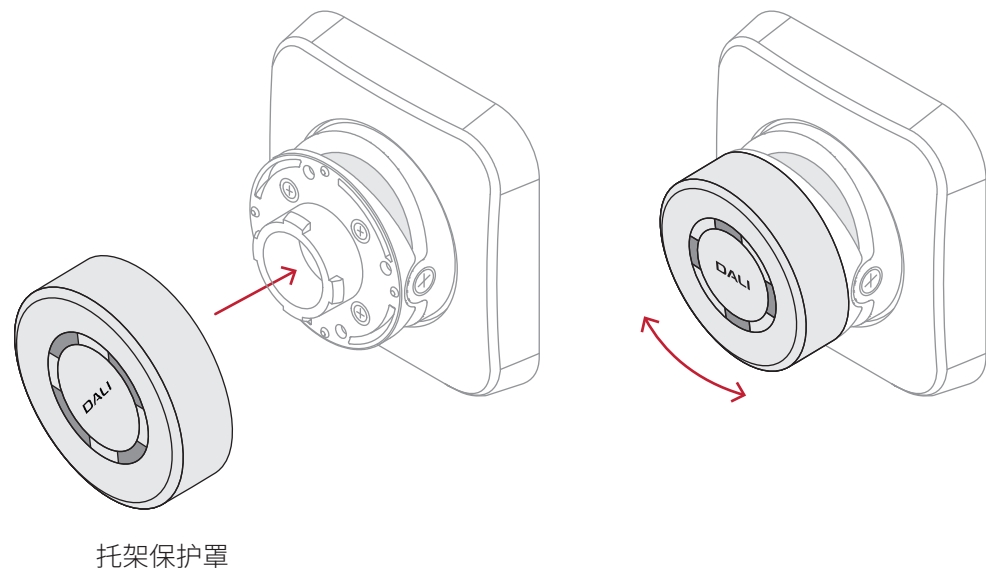
4.2.9 托架保护罩安装

如果户外已装好的 GARDIAN OW 6 托架上暂不安装音箱, 则无论时间长短, 都应安装托架保护罩。未安装音箱时, 托架保护罩可保护托架内的连接部件免受户外环境的影响。托架保护罩可从达尼零售商和分销商处购买。

要安装托架保护罩, 只需将其按压在托架柱上并旋转 45° 即可。

! 托架保护罩作为配件出售。

图 10: GARDIAN OW 6 托架保护罩安装



4.2 墙壁托架连接与安装

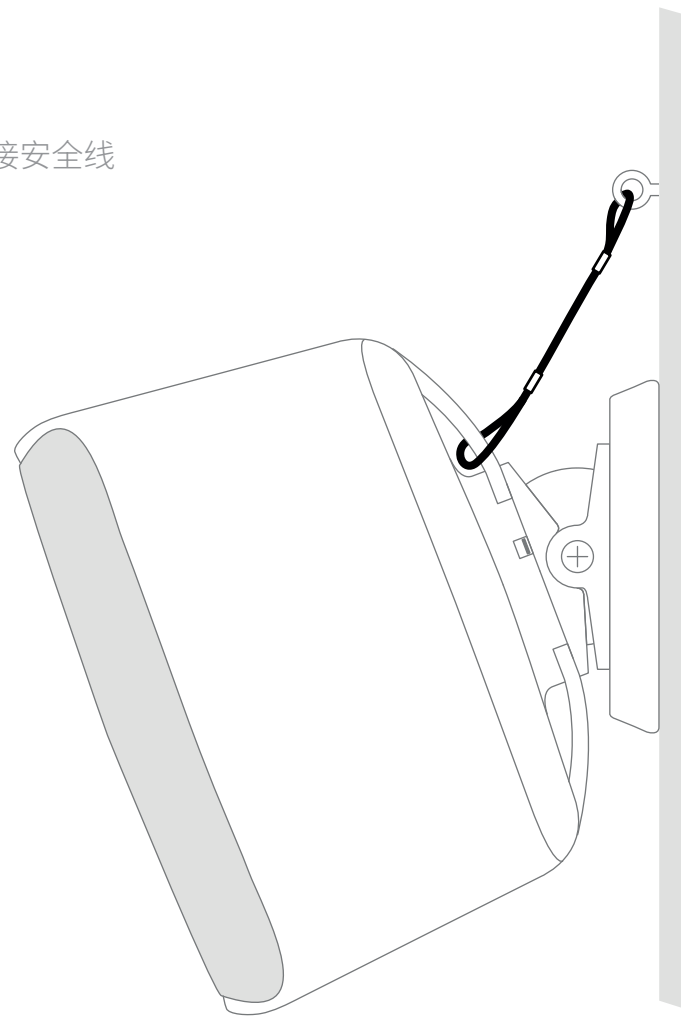
4.2.10 连接安全线

GARDIAN OW 6 音箱的最大安装高度为 2 米。安装高度超过 2 米时,需要在音箱上连接安全线。

图 11 展示了如何连接安全线。

务必确保用于安装 GARDIAN OW 6 音箱的结构能够轻松支撑其重量。

图 11:连接安全线



5.0 户外音箱安装

户外音箱安装适用于各种环境。例如,可为室外卡座区提供一般音频覆盖,还可用于泳池区、烧烤区、车库内,甚至还能胜任半封闭式家庭影院的多声道音频任务。

GARDIAN OW 6 极具灵活性,能够适应各种现有安装条件,让每种户外安装都能得到优化,即使在典型的户外环境中,比如不规则或不合适的安装结构和表面上,也能轻松完成安装。本页的图片显示了几种可能的应用场景。



6.0 煲机

与任何机械系统一样, 音箱需要经过一段“磨合”期才能发挥最佳性能。首次使用期间, 您会体验到音质在逐渐提升。磨合期会因使用情况和播放音量而异。在达到最佳性能之前, 预计需要播放长达 100 小时。与其他机械系统不同, 音箱可通过正常定期播放音乐来延长使用寿命。

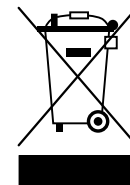
7.0 清洁

GARDIAN OW 6 具有防水功能, 必要时可用水清洗。使用湿布或软毛刷进行清洁。请勿拆下音箱网罩, 避免使用任何溶剂型清洁液。请勿使用定向喷水器或蒸汽清洁器。

让 GARDIAN OW 6 自然晾干。
切勿使用任何定向热源。

8.0 处理

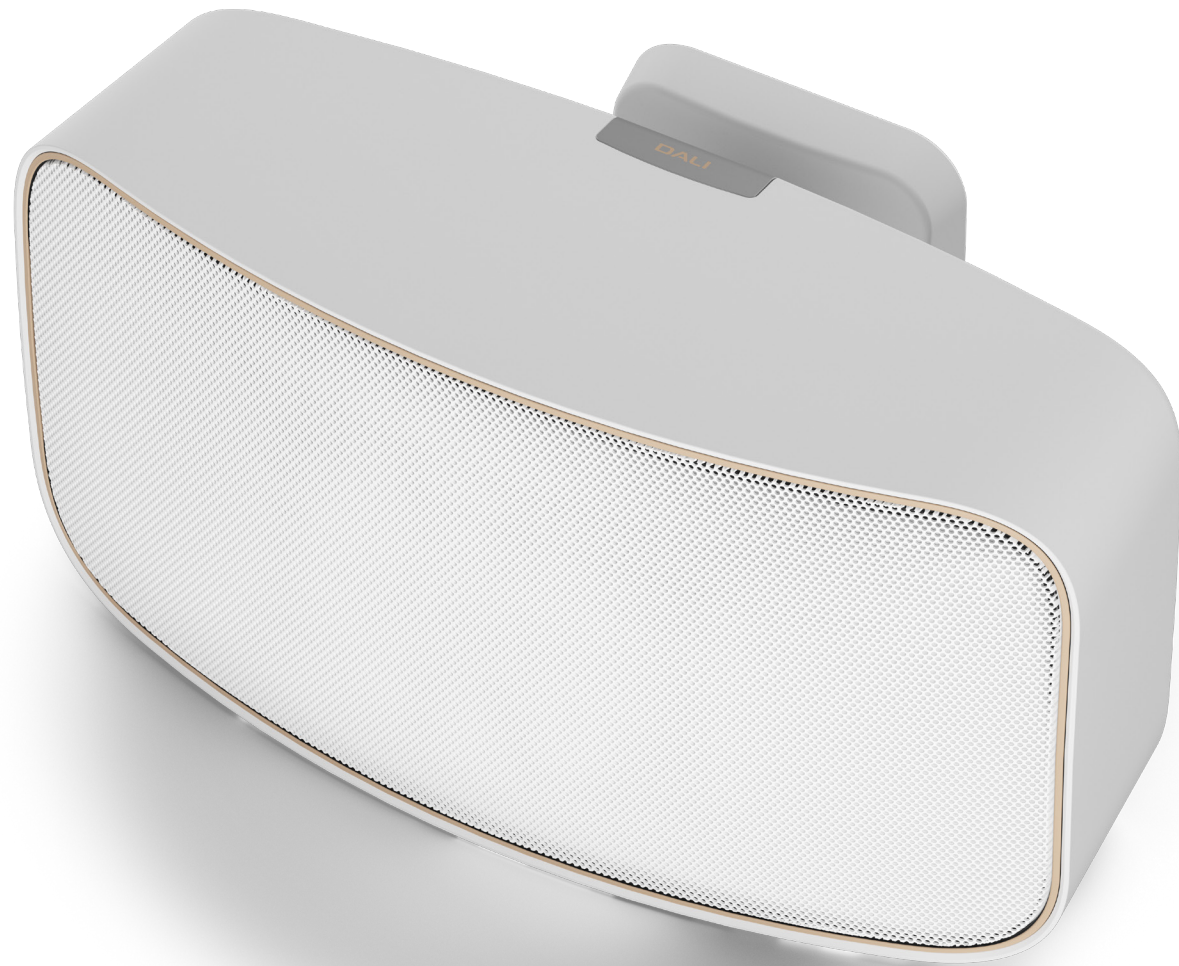
本产品包含电气或电子材料。如果处理不当, 这些材料可能会对环境和人体健康产生潜在不良影响。此标签表明该产品不能作为未分类垃圾进行处理, 必须单独收集。作为消费者, 您有责任确保该产品得到妥善处理。



9.0 技术规格

GARDIAN	OW 6
频率范围	47 - 25000 Hz +/- 3dB
灵敏度	2.83 V 时为 84 分贝 @ 1 米
标称阻抗	6 欧姆
最高声压级	103 dB
分频频率	2700 Hz
分频原理	2 路
推荐放大器功率	50 - 200 瓦
高频驱动单元	1 × 25 mm 软球顶(同轴安装)
高频振膜	软织物
低/中频驱动单元	1 × 5 英寸
低/中频振膜	聚丙烯
连接输入	单线
箱体类型	调谐质量阻尼箱体 2 × 5 英寸(椭圆形)无源辐射器
其它特征	插接式墙壁托架
安装位置	挂墙式/吸顶式
推荐安装位置	顶置/前置/中置/环绕声
IP 防护等级	IP 67
外形尺寸, 含网罩(高 × 宽 × 深)	200 × 372 × 206 毫米/ 7.87 × 14.65 × 8.11 英寸
重量(含网罩)	4.08 千克/9 磅
装运重量(一对)	10.4 千克/22.92 磅
饰面	白色/黑色
随附配件	壁挂安装模板
可选配件	墙壁托架盖

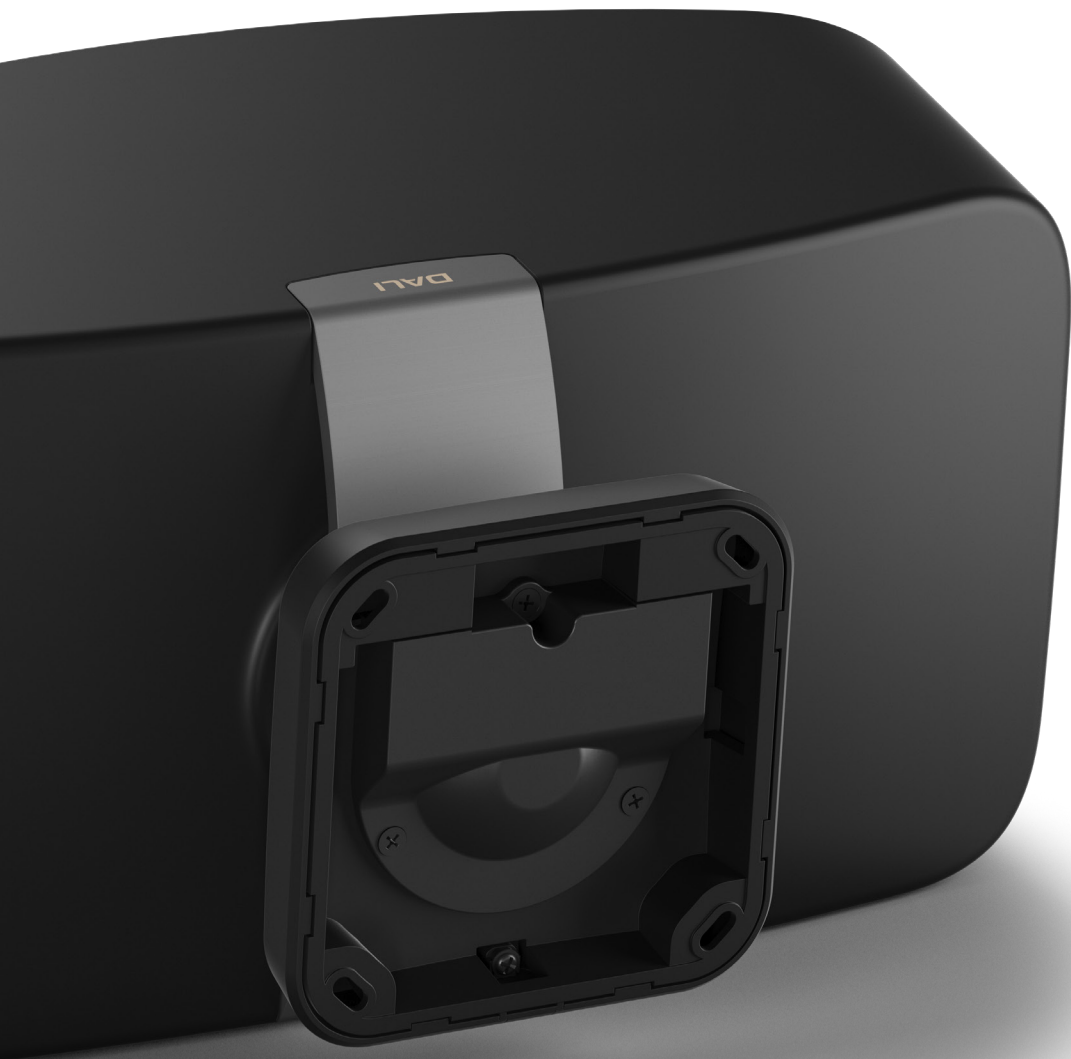
所有技术规格如有更改, 恕不另行通知。



DALI

達尼
GARDIAN
OW 6
安裝手冊





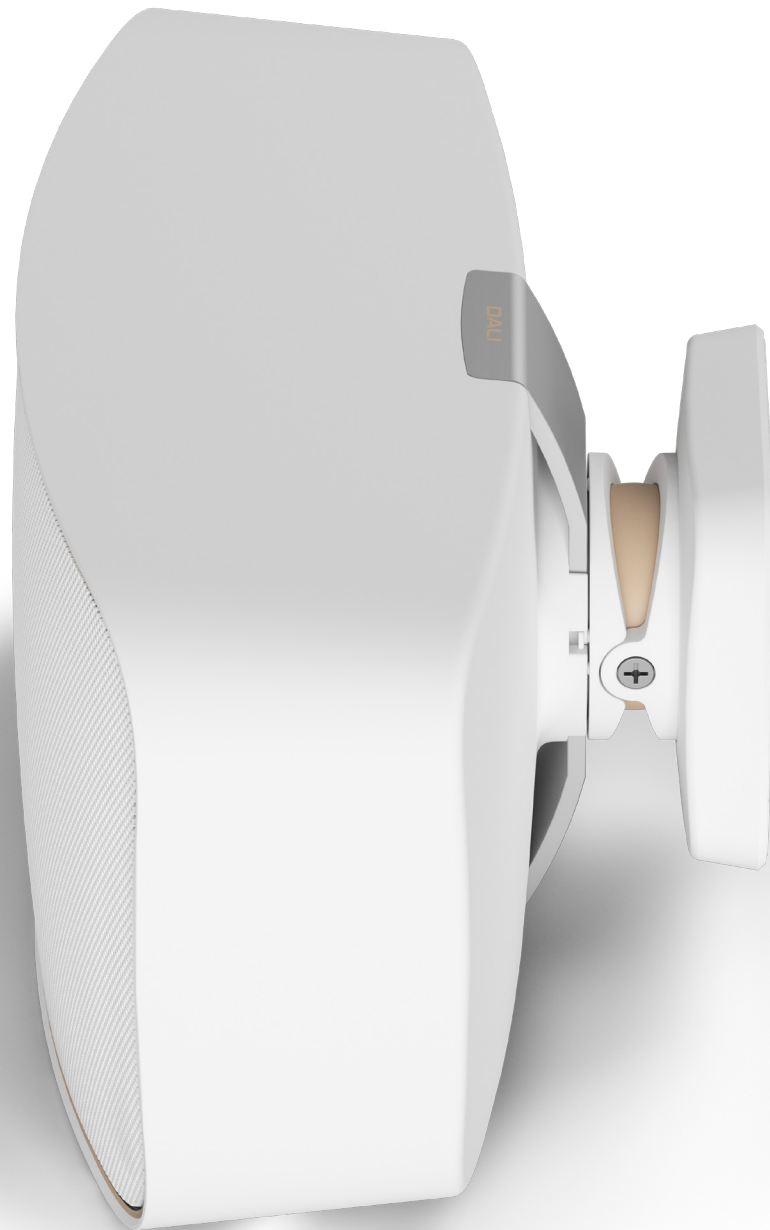
目錄

1.0	簡介	130
2.0	安全注意事項	131
3.0	開箱	132
4.0	擺放和安裝	133
4.1	擺放	134
4.2	牆壁托架連線與安裝	135
4.2.1	壁掛安裝模板	135
4.2.2	平移和傾斜	135
4.2.3	牆壁托架連線與安裝	136
4.2.4	牆壁托架蓋安裝	137
4.2.5	牆壁托架蓋拆卸	137
4.2.6	喇叭安裝	138
4.2.7	喇叭拆卸	139
4.2.8	平移或傾斜調節	140
4.2.9	托架保護罩安裝	141
4.2.10	連接安全線	142
5.0	戶外喇叭安裝	143
6.0	煲機	144
7.0	清潔	144
8.0	處理	144
9.0	技術規格	145

1.0 簡介

恭喜您購買新的達尼 GARDIAN OW 6 壁掛式戶外喇叭。達尼 GARDIAN OW 6 專為戶外場所而設計,可全天候滿足您的高品質音訊需求。GARDIAN OW 6 的防塵防水等級為 IP67,適用於 -20°C 至 +70°C 的溫度範圍。喇叭包含一個插接式安裝連線托架,可實現橫向或垂直安裝,支援簡單的平移或傾斜調整。

為了讓您新購買的達尼 GARDIAN OW 6 達到最佳效果,建議您在開箱和安裝喇叭前,仔細閱讀本手冊的內容。如欲了解更多詳情,請造訪我們的網站 www.dali-speaker.com 或聯絡您的達尼授權零售商。





2.0 安全注意事項

- 始終遵守安全注意事項。
- GARDIAN OW 6 喇叭應由合格的專業喇叭安裝技術人員安裝。
- 務必確保用於安裝 GARDIAN OW 6 喇叭的結構能夠輕鬆支撐其重量。
- 確保 GARDIAN OW 6 安裝位置的結構內未埋設電力或資料纜線、天然氣管道或水管、通風管道等公用設施。
- 將纜線連線到 GARDIAN OW 6 喇叭時，請確保驅動放大器處於關閉狀態。
- 如果將多台達尼 GARDIAN OW 6 並聯連線到同一個放大器輸出音路，應參考放大器的技術規格，確保放大器能夠處理負載。如需更多協助，請聯絡您的達尼授權零售商或安裝商。
- 長時間高音量使用喇叭可能導致聽力受損。請勿把音量調高到舒適程度以上。
- GARDIAN OW 6 喇叭的最大安裝高度為 2 公尺。安裝高度超過 2 公尺時，需要在喇叭上連接安全線。請參閱第 4.10 節。

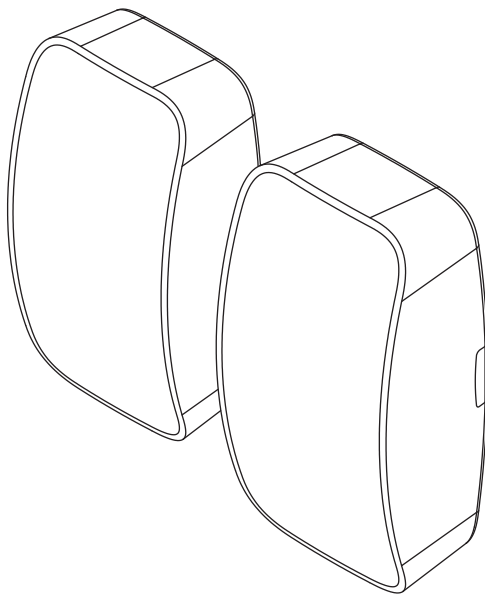
3.0 開箱

打開 GARDIAN OW 6 的包裝箱時,請注意不要損壞箱內物品。開箱後,請檢查圖 1 列出和顯示的所有部件是否齊全。

建議保留包裝材料,以防需要移轉 GARDIAN OW 6。但如果要丟棄包裝材料,請確保負責任地處理,並盡可能回收。

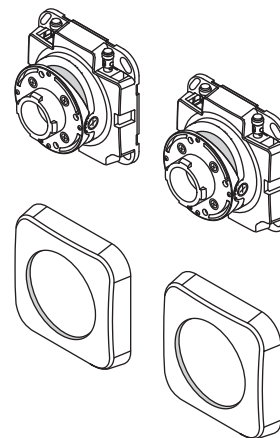
圖 1: GARDIAN OW 6 包裝清單

2 × 達尼 GARDIAN OW 6

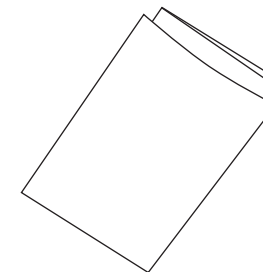


2 × 牆壁托架

2 × 牆壁托架蓋



1 × 文件包



4.0 擺放和安裝

GARDIAN OW 6 是一款被動式壁掛式喇叭，適用於室外或高濕度室內場景。此喇叭具有 IP67 等級防水防塵性能，可在 -20°C 至 +70°C 的溫度下使用。

GARDIAN OW 6 配備了一個插接式牆面托架，其中包含喇叭連線裝置。放大器連線端子位於托架內，插入到位後喇叭會自動連線。

GARDIAN OW 6 牆面托架支援平移或傾斜調節，因此安裝在聆聽區上方或側面的喇叭可以進行角度調整，以實現所需的輸出方向。這款牆壁托架還支援喇叭垂直或橫向安裝，並且由於單體為同心排列，GARDIAN OW 6 的擴散特性在任何方向上都能保持一致，從而大大提高了 GARDIAN OW 6 的安裝靈活性。

應根據環境和安裝類型適當選擇 GARDIAN OW 6 的安裝位置。

下文介紹了 GARDIAN OW 6 的一般擺放指南。GARDIAN OW 6 牆壁托架的使用方法請參閱第 4.2 節及後續章節中的圖示及說明。

立體聲安裝

立體聲安裝通常應遵循常規指南，將一對喇叭放置在等邊三角形的兩個頂點處，主聆聽區則位於該三角形的第三個頂點處。如果喇叭的位置明顯高於聆聽位置，可將喇叭向下傾斜。GARDIAN OW 6 具有寬擴散效果，這意味著喇叭無需向聆聽區的中心位置內傾。

背景聲安裝

對於分散式背景聲音應用，GARDIAN OW 6 的安裝位置應保持一定間距，確保兩台喇叭能夠連續覆蓋所需區域。如果喇叭的位置明顯高於聆聽位置，可將喇叭向下傾斜。背景聲喇叭最好採用單聲道音訊而不是立體聲。

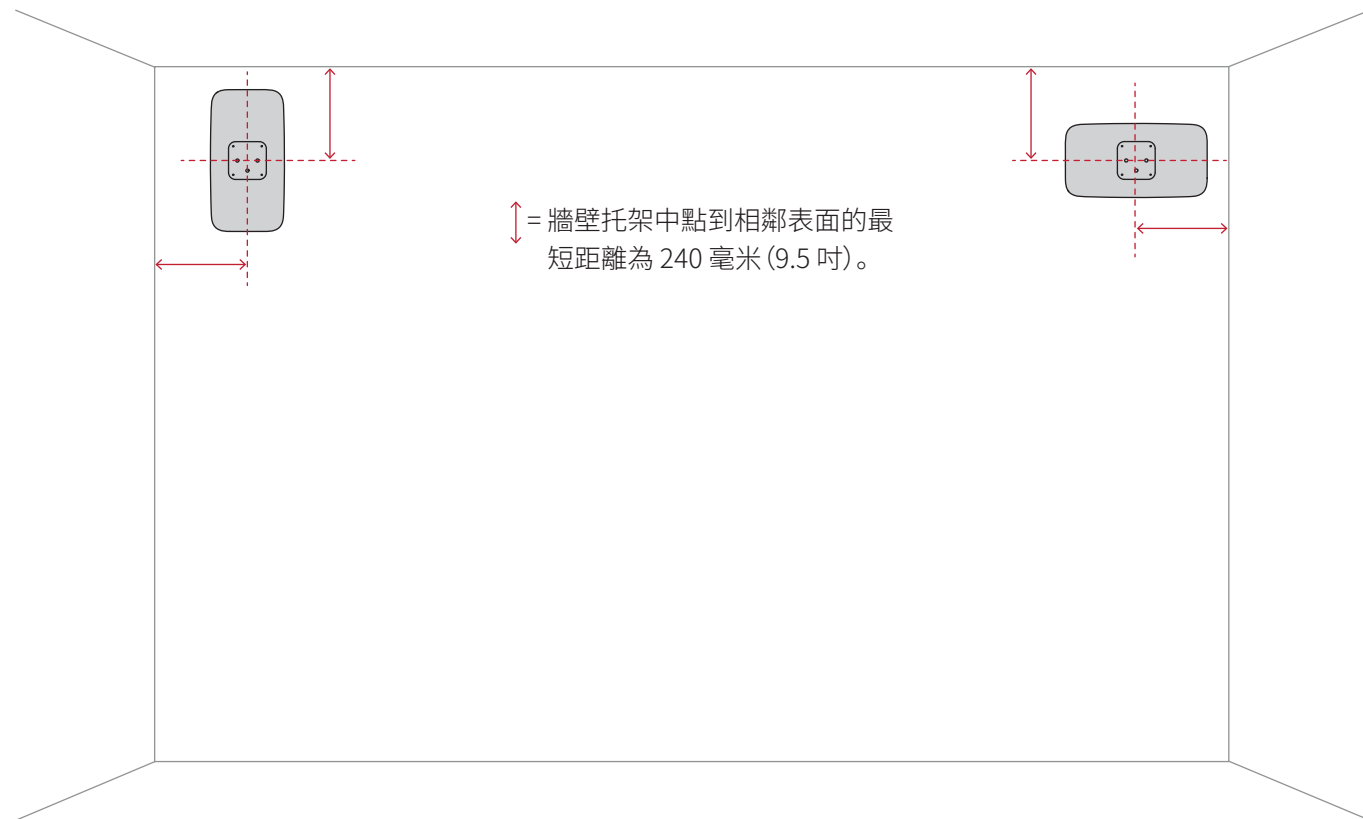
! 與所有被動喇叭一樣，將達尼 GARDIAN OW 6 靠牆角擺放會導致低音效果突出。放大器等化器可用於補償牆角安裝時的低頻突出現象。

4.1 擺放

為了將 GARDIAN OW 6 喇叭插接到牆壁托架上,必須將喇叭安裝在離側牆或天花板最短的距離。最短距離如圖 2 所示。

為了正確安裝,請使用箱內隨附的壁掛安裝模板。

圖 2: GARDIAN OW 6 安裝間隙

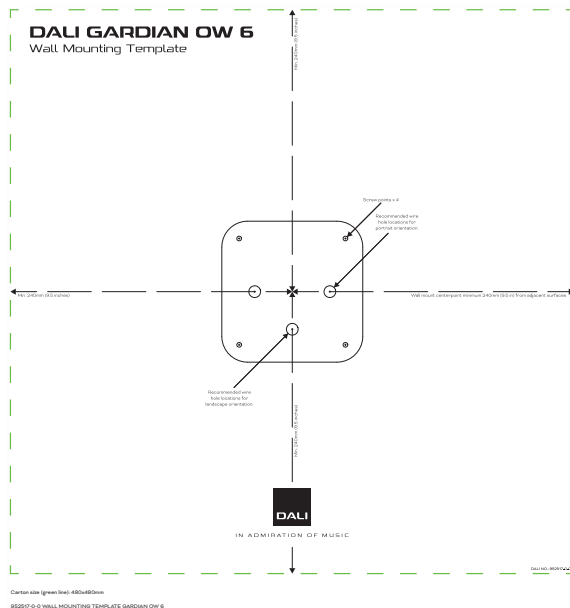


4.2 牆壁托架連線與安裝

4.2.1 壁掛安裝模板

開始安裝 GARDIAN OW 6 牆面托架前,請使用隨附的壁掛安裝模板找到正確的安裝位置。壁掛安裝模板可在外包裝箱內找到。

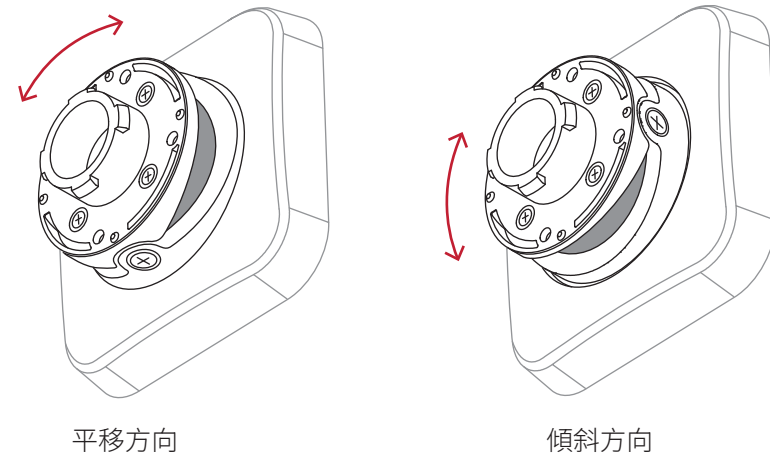
圖 3: GARDIAN OW 6 壁掛安裝模板



4.2.2 平移和傾斜

牆壁托架必須以正確方向安裝,具體取決於需要傾斜還是平移的方式來調整 GARDIAN OW 6 喇叭。托架的平移和傾斜方向如圖 4 所示。

圖 4: GARDIAN OW 6 牆面托架平移與傾斜方向



4.2 牆壁托架連線與安裝

4.2.3 牆壁托架連線與安裝

拆下牆壁托架蓋後,使用適當的喇叭纜線將放大器連線到 GARDIAN OW 6 牆壁托架的彈簧式接線端子。將放大器的正極接線端子 (+) 與牆壁托架的正極接線端子 (紅色) 相連,放大器的負極接線端子 (-) 與牆壁托架的負極接線端子 (黑色) 連線。務必使用優質低電阻喇叭纜線。喇叭纜線連線如圖 5 所示。

❗ 連線喇叭纜線時,請確保放大器處於關閉狀態。

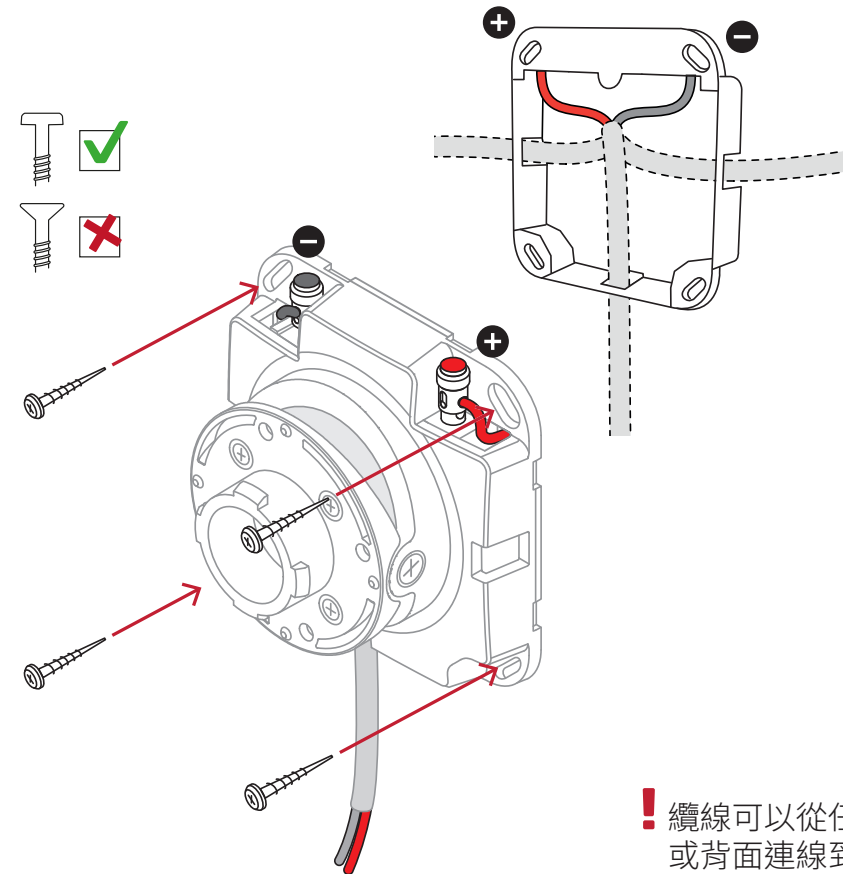
使用四顆螺絲和適當的牆壁配件 (如需要) 將 GARDIAN OW 6 牆壁托架安裝到牆壁或其他結構上。務必確保用於安裝 GARDIAN OW 6 喇叭和牆壁托架的結構能夠輕鬆支撐其重量。

❗ 如果您不確定自己是否有能力牢固安裝 GARDIAN OW 6 牆壁托架,應向有資格的專業人員尋求協助。

❗ 為了避免在安裝過程中損壞牆壁托架,建議使用圓頭平底螺絲。沉頭螺絲 (錐形底部) 可能會損壞托架孔和托架。

牆壁托架的連線與安裝如圖 6 所示。

圖 5: GARDIAN OW 6 牆面托架安裝與連線



❗ 纜線可以從任一側面、底面或背面連線到接線端子

4.2 牆壁托架連線與安裝

4.2.4 牆壁托架蓋安裝

將一個牆壁托架連線並牢固地固定在牆壁上後,可重新裝上蓋子。
按壓蓋子,直到其插接到位。

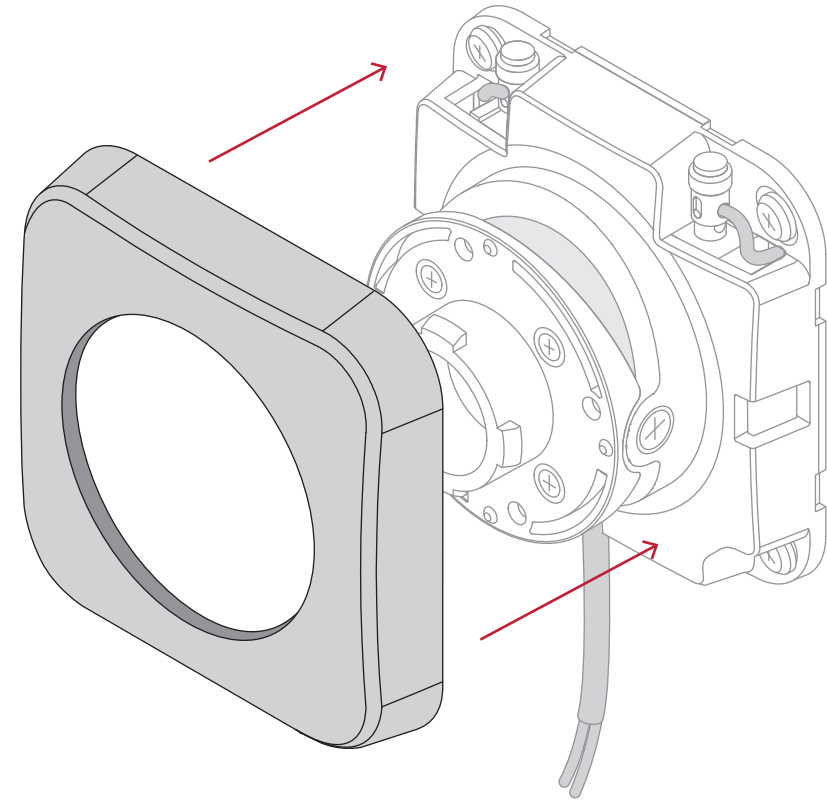
牆壁托架蓋的安裝如圖 6 所示。

4.2.5 牆壁托架蓋拆卸

如果要再次使用牆壁托架的連線端子和固定孔,必須拆下托架蓋。
只需抓住蓋子將其從牆壁托架主體上拔下即可。

可使用一字螺絲起子來拆卸蓋子。

圖 6: GARDIAN OW 6 牆面托架蓋安裝



4.2 牆壁托架連線與安裝

4.2.6 喇叭安裝

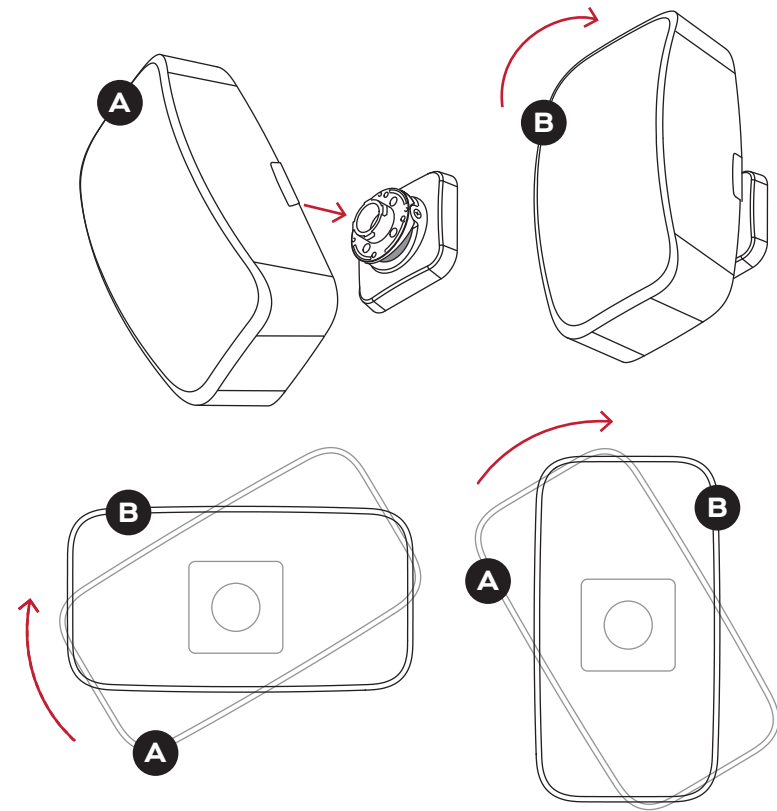
將牆壁托架連線到放大器並牢固固定到位後,重新裝上托架蓋即可開始安裝 GARDIAN OW 6 喇叭。橫向和垂直喇叭的安裝步驟相同。

若要安裝喇叭,請將喇叭以約 20° 的旋轉角度置於托架前方 **A**,然後將喇叭柱插入牆壁托架孔中。喇叭柱完全插入後,將喇叭朝垂直方向順時針旋轉 **B**。喇叭到達垂直方向後即可插接到位。

GARDIAN OW 6 喇叭的安裝步驟如圖 7 所示。

! 如果 GARDIAN OW 6 托架上暫不安裝喇叭,則無論時間長短,都應安裝托架保護套。托架保護罩可向達尼零售商和經銷商購買。第 4.2.9 節介紹如何使用托架保護罩。

圖 7: GARDIAN OW 6 喇叭插接式安裝



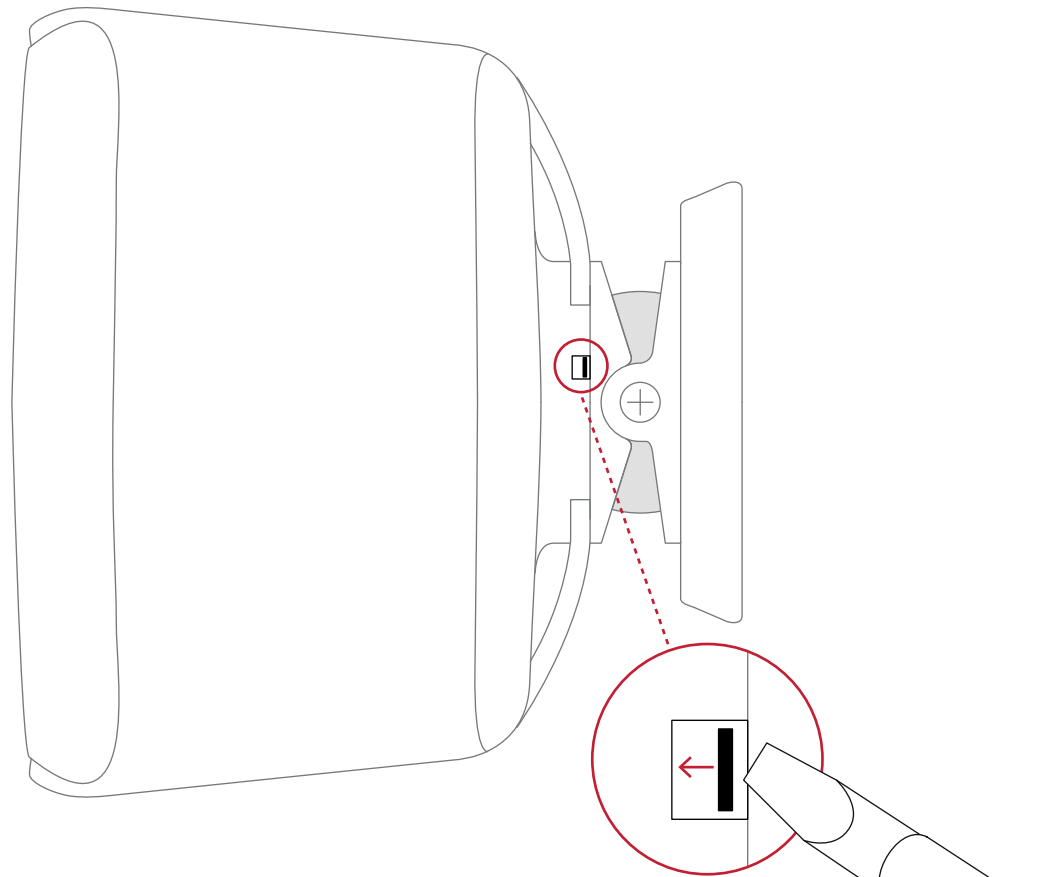
4.2 牆壁托架連線與安裝

4.2.7 喇叭拆卸

從托架上拆下 GARDIAN OW 6 的步驟與安裝步驟相反。使用一字螺絲起子按壓喇叭背面的小解鎖銷，將喇叭逆時針旋轉約 20°，然後從托架柱上取下。

GARDIAN OW 6 喇叭的拆卸過程如圖 8 所示。

圖 8：從托架柱上拆下 GARDIAN OW 6



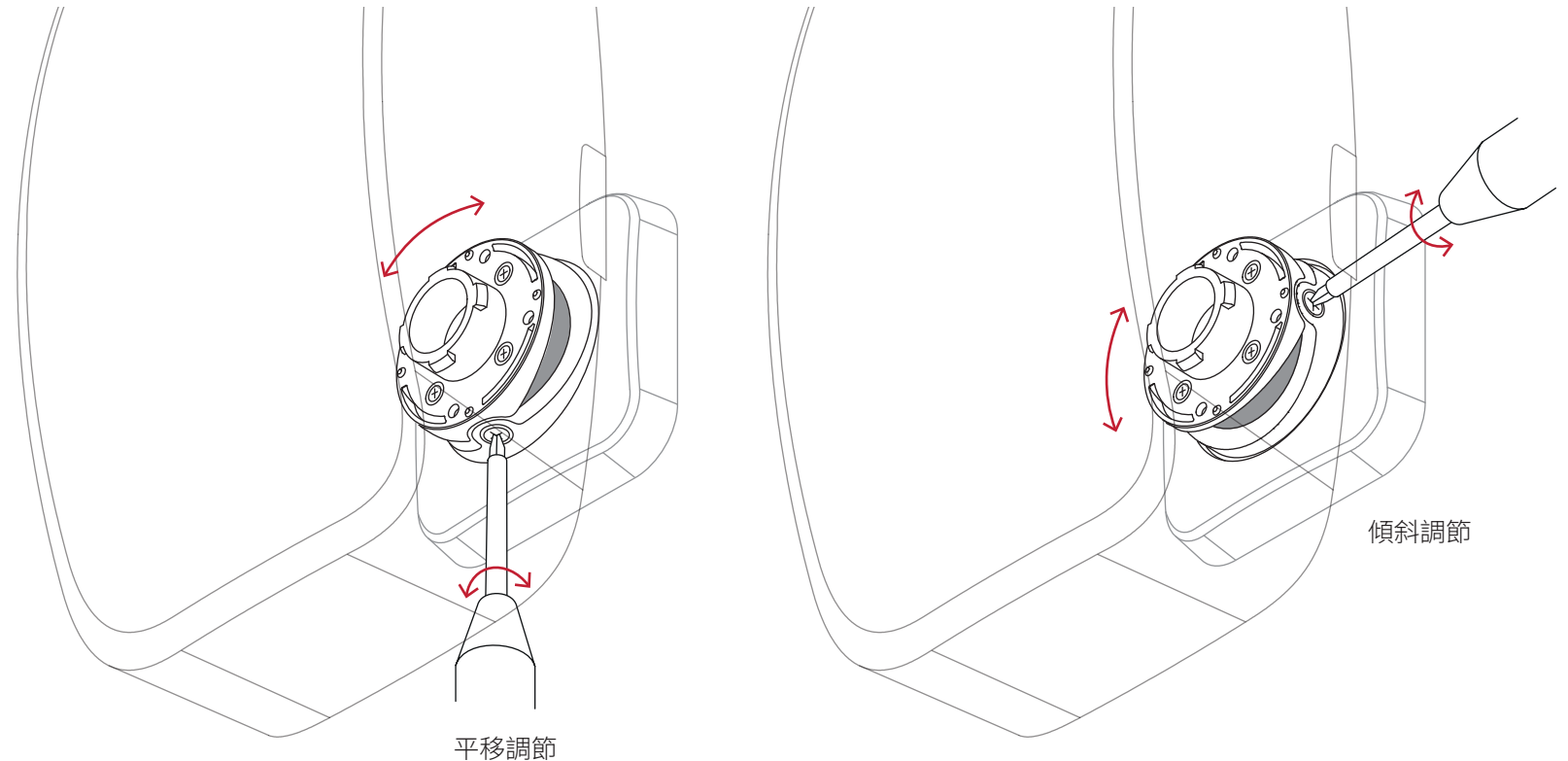
4.2 牆壁托架連線與安裝

4.2.8 平移或傾斜調節

將 GARDIAN OW 6 喇叭牢固地安裝到牆壁托架上並連線到放大器後,可以進行平移或傾斜調整。要進行平移或傾斜調節,只需鬆開十字頭調節螺絲,進行所需的調節,然後重新擰緊螺絲即可。

平移和傾斜調節如圖 9 所示。

圖 9: GARDIAN OW 6 平移與傾斜調節



4.2 牆壁托架連線與安裝

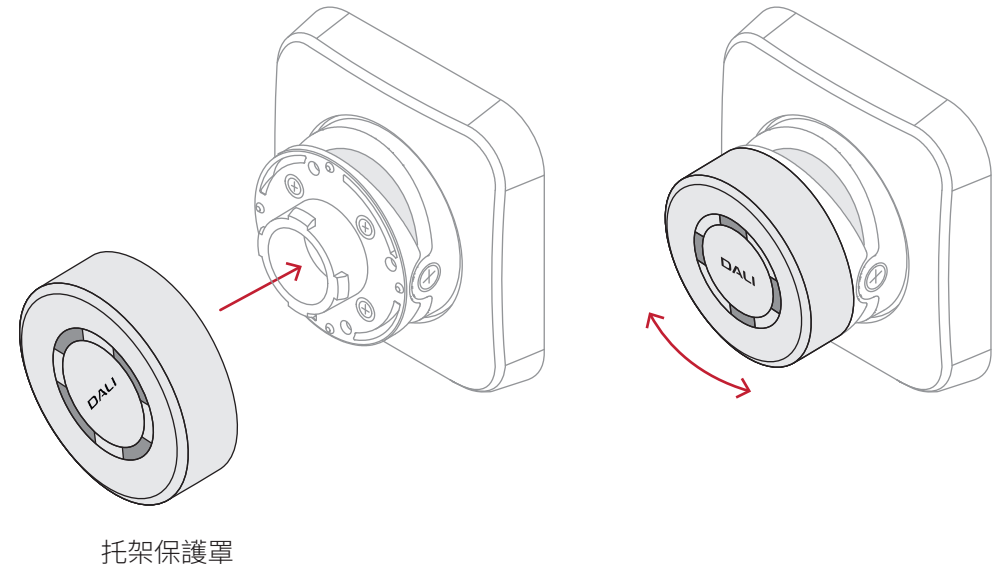
4.2.9 托架保護罩安裝

如果戶外已裝好的 GARDIAN OW 6 托架上暫不安裝喇叭,無論時間長短,都應安裝托架保護套。未安裝喇叭時,托架保護罩可保護托架內的連線部件免受戶外環境的影響。托架保護罩可向達尼零售商和經銷商購買。

要安裝托架保護罩,只需將其按壓在托架柱上並旋轉 45° 即可。

! 托架保護罩作為配件出售。

圖 10: GARDIAN OW 6 托架保護套安裝



4.2 牆壁托架連線與安裝

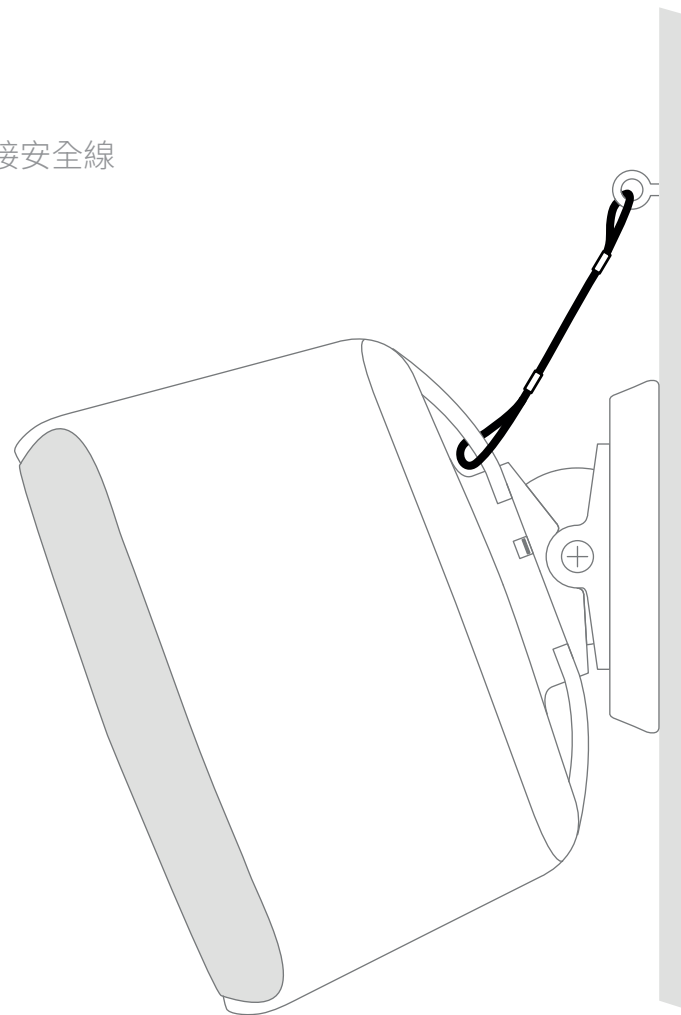
4.2.10 連接安全線

GARDIAN OW 6 喇叭的最大安裝高度為 2 公尺。安裝高度超過 2 公尺時，需要在喇叭上連接安全線。

圖 11 展示了如何連接安全線。

務必確保用於安裝 GARDIAN OW 6 喇叭的結構能夠輕鬆支撐其重量。

圖 11: 連接安全線



5.0 戶外喇叭安裝

戶外喇叭安裝適用於各種環境。例如,可為戶外卡座區提供一般音訊覆蓋,還可用於泳池區、燒烤區、車庫內,甚至還能勝任半封閉式家庭劇院的多音路音訊任務。

GARDIAN OW 6 極具彈性,能夠適應各種現有安裝條件,讓每種戶外安裝都能得到最佳化,即使在典型的戶外環境中,例如不規則或不合適的安裝結構和表面上,也能輕鬆完成安裝。本頁的圖片顯示了幾個可能的應用場景。



6.0 煲機

與任何機械系統一樣,喇叭需要經過一段「磨合」期才能發揮最佳性能。首次使用期間,您將體驗到音質逐漸提升。磨合期會因使用情況和播放音量而異。在達到最佳性能之前,預計需要播放長達 100 小時。與其他機械系統不同,喇叭可透過正常定期播放音樂來延長使用壽命。

7.0 清潔

GARDIAN OW 6 具有防水功能,必要時可用水清洗。使用濕布或軟毛刷進行清潔。請勿拆下喇叭網罩,避免使用任何溶劑型清潔液。請勿使用定向噴水器或蒸氣清潔器。

讓 GARDIAN OW 6 自然晾乾。切勿使用任何定向熱源。

8.0 處理

本產品包含電氣或電子材料。如果處理不當,這些材料可能會對環境和人體健康產生潛在不良影響。此標籤表示該產品不能作為未分類垃圾處理,必須單獨收集。作為消費者,您有責任確保產品得到妥善處理。



9.0 技術規格

GARDIAN	OW 6
頻率範圍	47 - 25000 Hz +/- 3dB
靈敏度	2.83 V 時為 84 分貝 @ 1 米
標稱阻抗	6 歐姆
最高聲壓位準	103 dB
分頻頻率	2700 Hz
分頻原理	2 路
推薦放大器功率	50 - 200 瓦
高頻單體	1 × 25 mm 軟凸盆 (同軸安裝)
高頻振膜	軟織物
低/中頻單體	1 × 5 吋
低/中頻振膜	聚丙烯
連線輸入	單線
外殼類型	調諧質量阻尼箱體 2 × 5 英吋 (橢圓形) 被動輻射器
其它特徵	插接式牆壁托架
安裝位置	掛牆式/吸頂式
推薦安裝位置	頂置/前置/中置/環繞聲
IP 防護等級	IP 67
外型尺寸,含網罩(高 × 寬 × 深)	200 × 372 × 206 毫米/ 7.87 × 14.65 × 8.11 吋
重量(含網罩)	4.08 公斤/9 磅
裝運重量(一對)	10.4 公斤/22.92 磅
飾面	白色/黑色
隨附配件	壁掛安裝模板
可選配件	牆壁托架蓋

所有技術規格如有變更,恕不另行通知。

