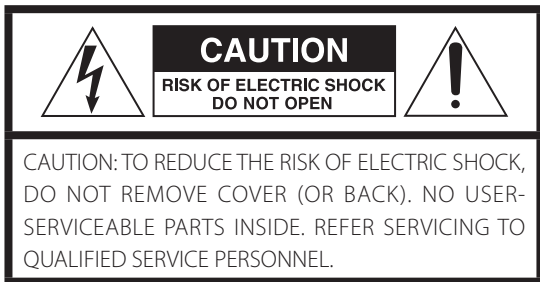


EGOTERIC

Grandioso Max *Monoblock Amplifier*

OWNER'S MANUAL.....	3
MODE D'EMPLOI.....	17
MANUAL DEL USUARIO.....	31

IMPORTANT SAFETY INSTRUCTIONS



The lightning flash with arrowhead symbol, within an equilateral triangle, is intended to alert the user to the presence of uninsulated "dangerous voltage" within the product's enclosure that may be of sufficient magnitude to constitute a risk of electric shock to persons.



The exclamation point within an equilateral triangle is intended to alert the user to the presence of important operating and maintenance (servicing) instructions in the literature accompanying the appliance.

WARNING: TO PREVENT FIRE OR SHOCK HAZARD, DO NOT EXPOSE THIS APPLIANCE TO RAIN OR MOISTURE.

CAUTION

- DO NOT REMOVE THE EXTERNAL CASES OR CABINETS TO EXPOSE THE ELECTRONICS. NO USER SERVICEABLE PARTS ARE INSIDE.
- IF YOU ARE EXPERIENCING PROBLEMS WITH THIS PRODUCT, CONTACT THE STORE WHERE YOU PURCHASED THE UNIT FOR A SERVICE REFERRAL. DO NOT USE THE PRODUCT UNTIL IT HAS BEEN REPAIRED.
- USE OF CONTROLS OR ADJUSTMENTS OR PERFORMANCE OF PROCEDURES OTHER THAN THOSE SPECIFIED HEREIN MAY RESULT IN HAZARDOUS RADIATION EXPOSURE.

- 1) Read these instructions.
- 2) Keep these instructions.
- 3) Heed all warnings.
- 4) Follow all instructions.
- 5) Do not use this apparatus near water.
- 6) Clean only with dry cloth.
- 7) Do not block any ventilation openings. Install in accordance with the manufacturer's instructions.
- 8) Do not install near any heat sources such as radiators, heat registers, stoves, or other apparatus (including amplifiers) that produce heat.
- 9) Do not defeat the safety purpose of the polarized or grounding-type plug. A polarized plug has two blades with one wider than the other. A grounding type plug has two blades and a third grounding prong. The wide blade or the third prong are provided for your safety. If the provided plug does not fit into your outlet, consult an electrician for replacement of the obsolete outlet.
- 10) Protect the power cord from being walked on or pinched particularly at plugs, convenience receptacles, and the point where they exit from the apparatus.

- 11) Only use attachments/accessories specified by the manufacturer.

- 12) Use only with the cart, stand, tripod, bracket, or table specified by the manufacturer, or sold with the apparatus. When a cart is used, use caution when moving the cart/apparatus combination to avoid injury from tip-over.



- 13) Unplug this apparatus during lightning storms or when unused for long periods of time.
- 14) Refer all servicing to qualified service personnel. Servicing is required when the apparatus has been damaged in any way, such as power-supply cord or plug is damaged, liquid has been spilled or objects have fallen into the apparatus, the apparatus has been exposed to rain or moisture, does not operate normally, or has been dropped.

- The apparatus draws nominal non-operating power from the AC outlet with its POWER or STANDBY/ON switch not in the ON position.
- The mains plug is used as the disconnect device; the disconnect device shall remain readily operable.
- Caution should be taken when using earphones or headphones with the product because excessive sound pressure (volume) from earphones or headphones can cause hearing loss.

WARNING

Products with Class **I** construction are equipped with a power supply cord that has a grounding plug. The cord of such a product must be plugged into an AC outlet that has a protective grounding connection.

IN USA/CANADA, USE ONLY ON 120V SUPPLY.

CAUTION

- Do not expose this apparatus to drips or splashes.
- Do not place any objects filled with liquids, such as vases, on the apparatus.
- Do not install this apparatus in a confined space such as a book case or similar unit.
- The apparatus should be located close enough to the AC outlet so that you can easily reach the power cord plug at any time.
- If the product uses batteries (including a battery pack or installed batteries), they should not be exposed to sunshine, fire or excessive heat.
- CAUTION for products that use replaceable lithium batteries: there is danger of explosion if a battery is replaced with an incorrect type of battery. Replace only with the same or equivalent type.

Supplier's Declaration of Conformity

Model number: Grandioso M1X

Trade name: ESOTERIC

Responsible party: 11 Trading Company, LLC

Address: 3502 Woodview Trace #200 Indianapolis, IN 46268 U.S.A.

URL: <https://11tradingcompany.com/contact-us/>

This device complies with Part.15 of FCC Rules.

Operation is subject to the following two conditions:

- 1) This device may not cause harmful interference
- 2) This device must accept any interference received, including interference that may cause undesired operation.



Information

This equipment has been tested and found to comply with the limits for a Class B digital device, pursuant to Part 15 of the FCC Rules. These limits are designed to provide reasonable protection against harmful interference in a residential installation. This equipment generates, uses, and can radiate radio frequency energy and, if not installed and used in accordance with the instructions, may cause harmful interference to radio communications. However, there is no guarantee that interference will not occur in a particular installation. If this equipment does cause harmful interference to radio or television reception, which can be determined by turning the equipment off and on, the user is encouraged to try to correct the interference by one or more of the following measures:

- Reorient or relocate the equipment and/or the receiving antenna.
- Increase the separation between the equipment and receiver.
- Connect the equipment into an outlet on a circuit different from that to which the receiver is connected.
- Consult the dealer or an experienced radio/TV technician for help.

CAUTION

Changes or modifications not expressly approved by the party responsible for compliance could void the user's authority to operate the equipment.

Model for Canada

Innovation, Science and Economic Development Canada's

Compliance Statement:

This Class B digital apparatus complies with Canadian ICES-003.

Model for Europe



This product complies with the European Directives request, and the other Commission Regulations.

Model for UK

This product complies with the applicable UK regulations.



For European Customers

Disposal of electrical and electronic equipment and batteries and/or accumulators

- a) All electrical/electronic equipment and waste batteries/accumulators should be disposed of separately from the municipal waste stream via collection facilities designated by the government or local authorities.
- b) By disposing of electrical/electronic equipment and waste batteries/accumulators correctly, you will help save valuable resources and prevent any potential negative effects on human health and the environment.
- c) Improper disposal of waste electrical/electronic equipment and batteries/accumulators can have serious effects on the environment and human health because of the presence of hazardous substances in the equipment.
- d) The Waste Electrical and Electronic Equipment (WEEE) symbols, which show wheeled bins that have been crossed out, indicate that electrical/electronic equipment and batteries/accumulators must be collected and disposed of separately from household waste. If a battery or accumulator contains more than the specified values of lead (Pb), mercury (Hg), and/or cadmium (Cd) as defined in the Battery Directive (2006/66/EC, 2013/56/EU), then the chemical symbols **Pb, Hg, Cd** for those elements will be indicated beneath the WEEE symbol.
- e) Return and collection systems are available to end users. For more detailed information about the disposal of old electrical/electronic equipment and waste batteries/accumulators, please contact your city office, waste disposal service or the shop where you purchased the equipment.



ESOTERIC is a trademark of TEAC CORPORATION, registered in the U.S. and other countries.

Other company names and product names in this document are the trademarks or registered trademarks of their respective owners.

Thank you for purchasing this ESOTERIC product.
Read this manual carefully to get the best performance from this product. After reading it, keep it in a safe place with the warranty card for future reference.

IMPORTANT SAFETY INSTRUCTIONS	3
Before use	6
Maintenance	7
Names and functions of parts.....	8
Connecting using ES-LINK Analog	10
Connections.....	11
Connecting speakers	12
Basic operation	13
Notes about the protection circuits	14
Troubleshooting.....	14
Specifications.....	15
Dimensional drawings.....	16

Included accessories

Check to be sure the box includes all the supplied accessories shown below. Please contact the store where you purchased this product if any of these accessories are missing or have been damaged during transportation.

- Power cord × 1
- Power cord support bracket × 1
- Screws for power cord support bracket × 2
- Felt pads × 4
- Owner's manual (this document) × 1
- Warranty card × 1

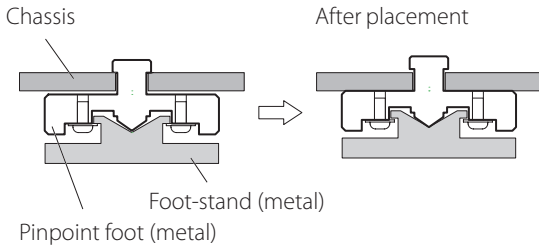
Precautions for use

- This unit is very heavy, so take care to avoid injury during installation.
- Place the unit in a stable location near the audio system that will be used with it.
- Do not install this unit in a location that could become hot. This includes places that are exposed to direct sunlight or near a radiator, heater, stove or other heating equipment. Moreover, do not place it on top of an amplifier or other equipment that generates heat. Doing so could cause discoloration, deformation or malfunction.
- Avoid locations that are subject to vibrations or exposed to excessive dust, cold or moisture.
- This unit generates more heat than ordinary power amplifiers. When installing it, install it independently at least 20 cm (8") from surrounding walls and other barriers. If you do place it in a rack, not only follow the instruction above, but use one with ventilation openings, for example, and take caution with the temperature. Failure to provide these gaps could cause heat to build up inside and result in fire.
- Do not install it face up or on its side.
- Do not place anything on top of this unit. Do not place it on top of bedding or thick carpet. Doing so could cause the unit to over-heat or damage it.
- The voltage supplied to the unit should match the voltage as printed on its back. If you are in any doubt regarding this matter, consult an electrician.
- Do not move the unit during use.
- Do not open the body of the unit as doing so might result in damage to the circuitry or cause electric shock. If a foreign object should get into the unit, contact your dealer.
- When removing the power plug from an outlet, always pull directly on the plug. Never pull on the cord itself.

Note about pinpoint feet

High-precision metal pinpoint feet are attached to the bottom plate of this unit.

The pinpoint feet and their stands are loose, but when the unit is placed in position, it is supported by these pinpoint feet, which effectively disperse vibrations.

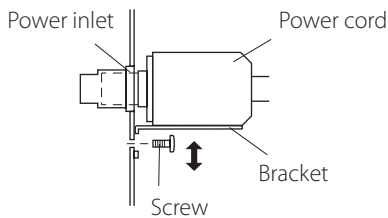


- Apply the included felt pads to the bottoms of the foot-stands to avoid scratching the surface where the unit is placed.

About the power cord support bracket

This unit includes a bracket to support heavy power cords.

Align it with the power cord being used and attach it, tightening the screws securely.



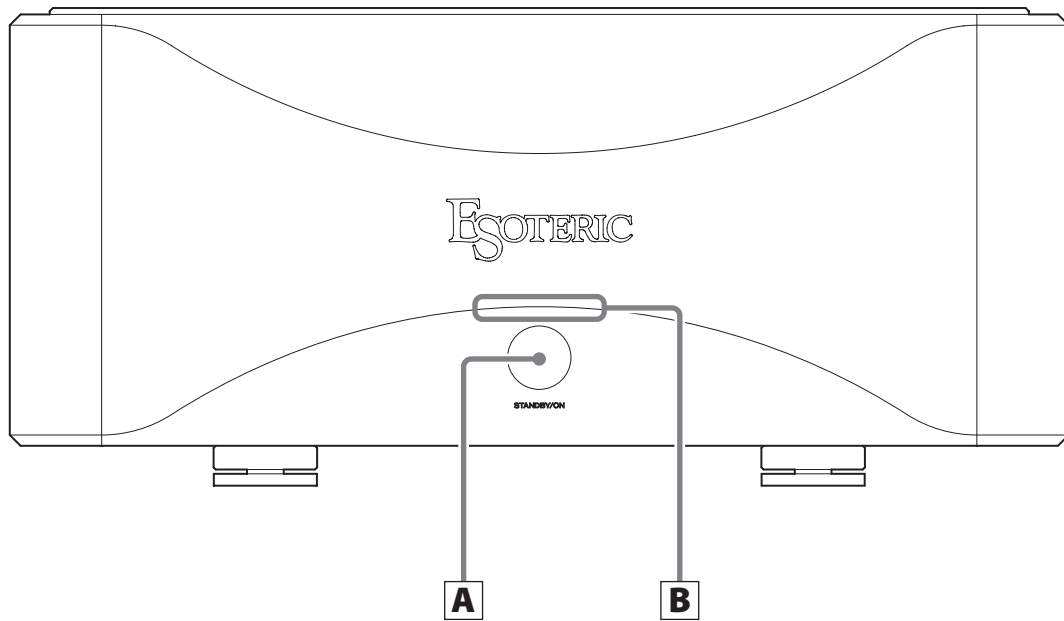
Use a soft dry cloth to wipe the surface of the unit clean.
For stubborn smudges, use a damp cloth that has been thoroughly wrung out to remove excess moisture.

- Never spray liquid directly on this unit.
- Do not wipe with chemical cleaning cloths, thinner or other chemical agents. Doing so could damage the surface.
- Avoid allowing rubber or plastic materials to touch the unit for long periods of time because they could damage the cabinet.

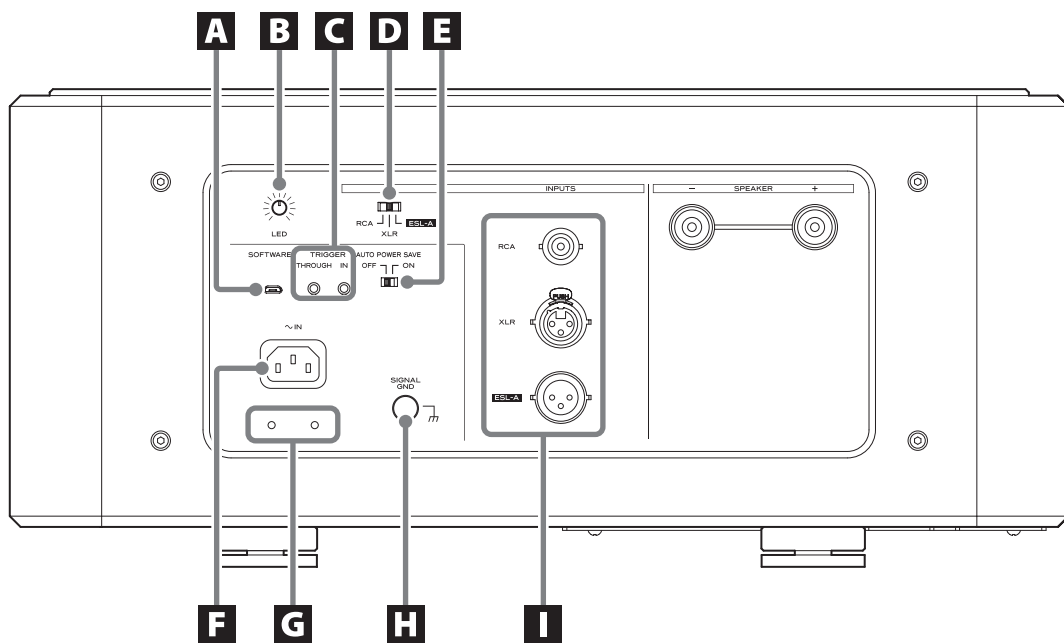
⚠ For your safety, disconnect the power cord from the outlet before cleaning.

Names and functions of parts

Front



Back



A STANDBY/ON button

Press this to turn the unit on or put it into standby mode. After turning the unit on, the power indicator will blink blue and no sound will be output for a few seconds. Wait until the indicator stops blinking and stays lit.

- Since this unit has a large power transformer and capacitors, the power transformer might make noise for a short time after the unit is turned on. This is normal behavior, not a malfunction.

B Power indicator

This lights blue when the unit is on.

A SOFTWARE maintenance port

This is used for maintenance. Do not connect anything to this port unless instructed to do so by our service department.

B LED brightness adjustment knob


Use this to adjust the brightness of the power indicator.

C TRIGGER connectors

Use these connectors to control power from an external source. Do not connect anything to these connectors when not using them.

D Input selection switch

Use this to switch between the RCA, XLR and ESL-A inputs.

 **Do not change this when the unit is on. Doing so could result in a sudden loud noise that could harm your hearing or damage the connected speakers.**


E AUTO POWER SAVE switch

Use this to turn the automatic power saving function on and off. When the automatic power saving function is on, if there is no audio input (continuous silence) from the selected input source for 30 minutes, the unit will enter standby mode automatically.

- The input sources that are not selected have no effect on automatic power saving.

F AC power inlet (~IN)

Connect the supplied power cord to this AC inlet. After completing all other connections, plug the power plug into a power outlet.

 **Use only a genuine ESOTERIC power cord. Use of other power cords could result in fire or electric shock.**

 **Disconnect the power plug from the outlet if you will not use the unit for a long time.**

G Holes for power cord support bracket screws

Attach the power cord support bracket to these (page 7).

H SIGNAL GND grounding terminal

Using commercially-available sheathed wire (for example, PVC-insulated) to create grounded connections with the speakers, the preamplifier or other equipment might improve the sound quality.

- This is not a safety grounding terminal.

I Analog input connectors

Connect these to the analog output connectors of preamps. Set the input selection switch to choose the connector to use.

Use commercially-available cables for connections.

RCA: RCA cable

XLR, ESL-A: balanced XLR cables

Insert a balanced XLR plug until the connector lever locks. Press this lever and pull the plug out to disconnect.

- The XLR connector is 2 "HOT". Use a compatible cable.
- Insert the plug completely. Do not bundle these cables together with power cords or speaker cables. Doing so could degrade the sound quality or cause noise.

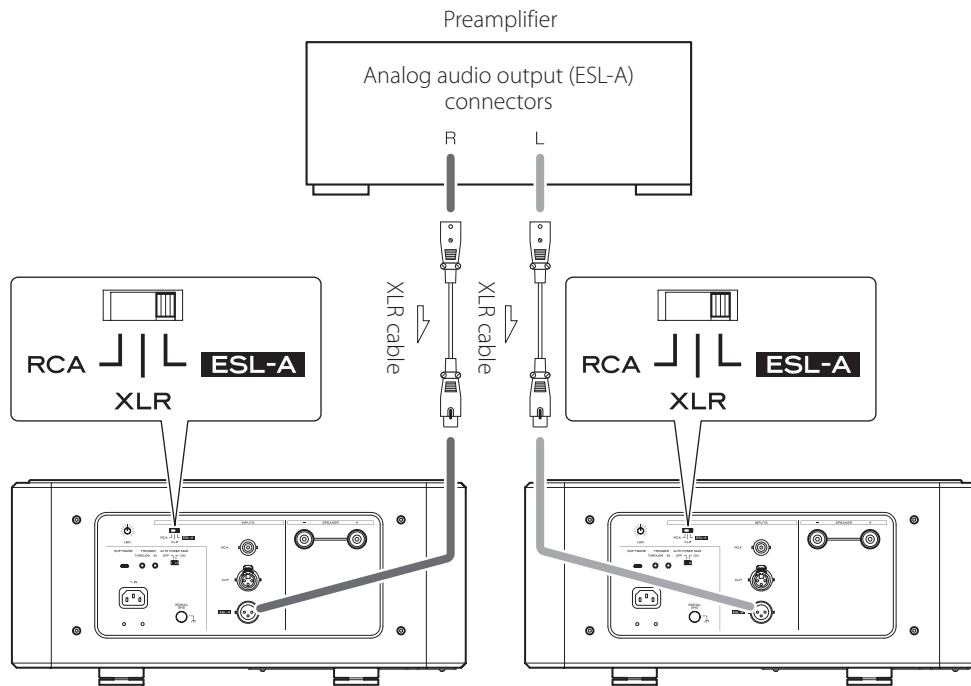
Connecting using ES-LINK Analog

ES-LINK Analog overview

The current transmission method utilizes the performance of HCLD buffer circuits that feature the ability to supply strong current at high speed. This suppresses the impact of impedance on signal paths, enabling pure and powerful transmission of signals.

- Ordinary balanced cables (with XLR connectors) are used for connection.
These connectors can only be used with compatible devices, however, because the transmission format is unique.

Connecting to a preamplifier using ES-LINK Analog



Use an XLR cable to connect the analog audio output (ESL-A) connector of a preamp to the ES-LINK Analog input (ESL-A) connector on this unit.

- Set the input selection switch on this unit to ESL-A.
- Normal XLR and RCA connections are also possible. Select the connection type that provides the audio quality you prefer.

ATTENTION

The ESL-A input connector of this unit is a male-type connector to prevent accidental connection by mistaking it for the XLR input connector.

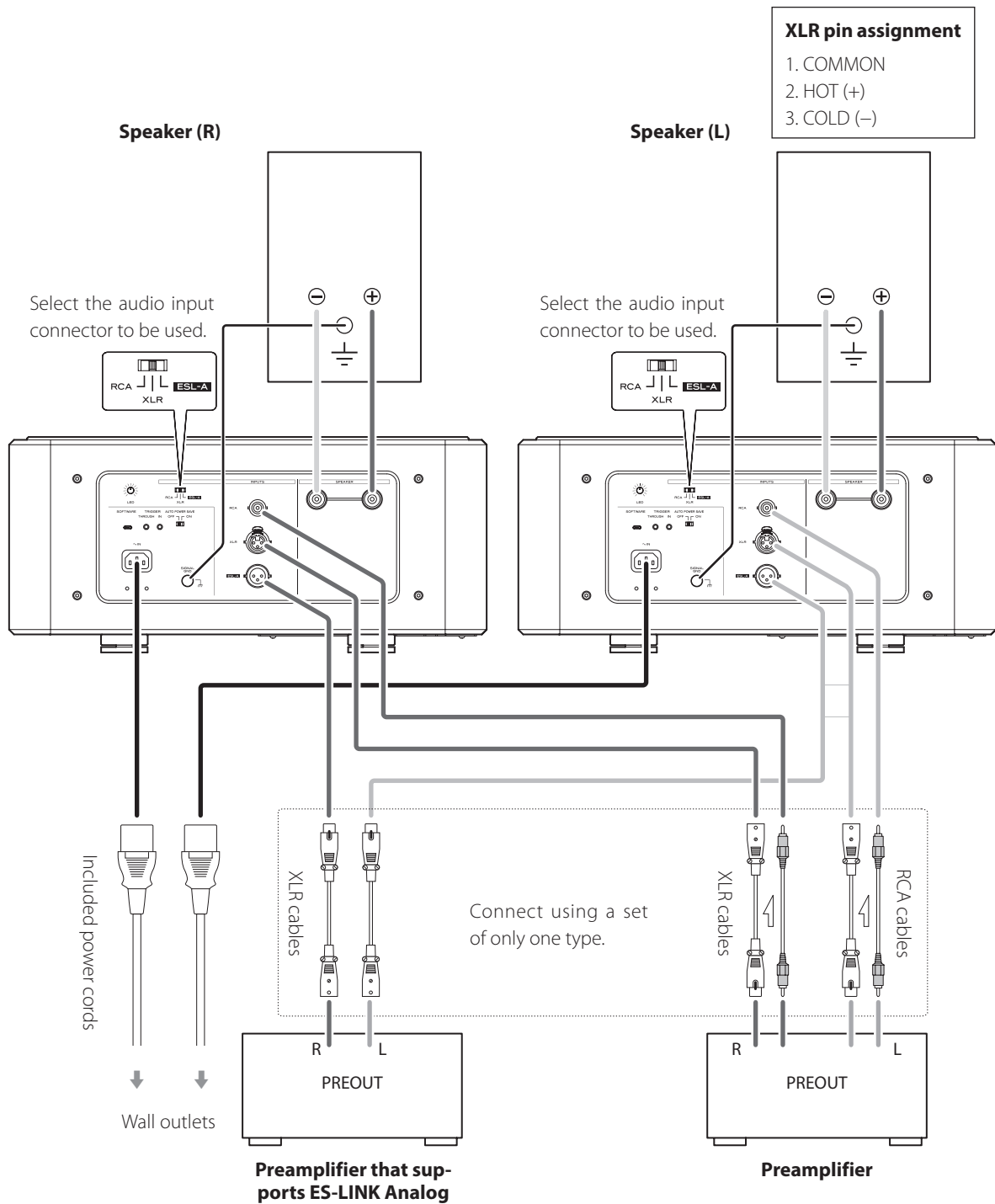
Precautions when making connections

Complete all other connections before connecting power plugs to power outlets. Always disconnect the power plug of this unit before disconnecting anything else.

Read the owner's manuals of all devices that will be connected, and follow their instructions.

Precautions when connecting speaker cables

Connect the cables securely so that they do not become loose and the core wires or terminals at their ends do not become exposed and contact other metal parts or the unit.



Connecting speakers

Notes about speaker cables

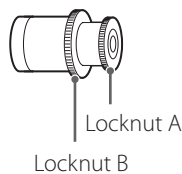
- Use commercially-available speaker cables to connect the speakers.
- Use the shortest speaker cables possible. The longer the cable, the greater the resistance value and the more that damping performance is reduced. Moreover, length also increases inductance and capacitance, degrading the sound quality of high frequencies.
- Use left and right speaker cables that have the same length.

How to connect speaker cables

Use commercially-available speaker cables to connect the + terminal of the unit to the + terminal of the speaker and the – terminal of the unit to the – terminal of the speaker.

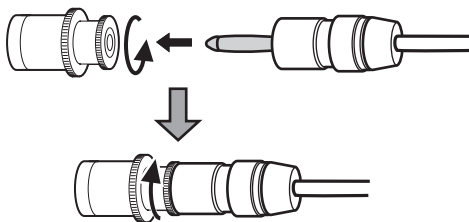
- Use speakers with at least 4Ω impedance.
- If the exposed tip of the core wire of a speaker cable contacts another cord or terminal, a short could occur. Never allow a speaker cable to short.
- Do not connect more than one amplifier to a speaker.
- Do not bundle speaker cables with power cords. Doing so could cause noise.

⚠ The power plug should always be disconnected when connecting speaker cables.



When using banana plugs

Loosen locknut A and insert the plug into the opening in the end of the terminal. Then, tighten locknut A.



- Keep locknut B tightened when using.
- Carefully read the instructions for the banana plugs that you are using.

Notice about the European model

In accordance with European safety regulations, connecting banana plugs to speaker terminals is not allowed on European models.

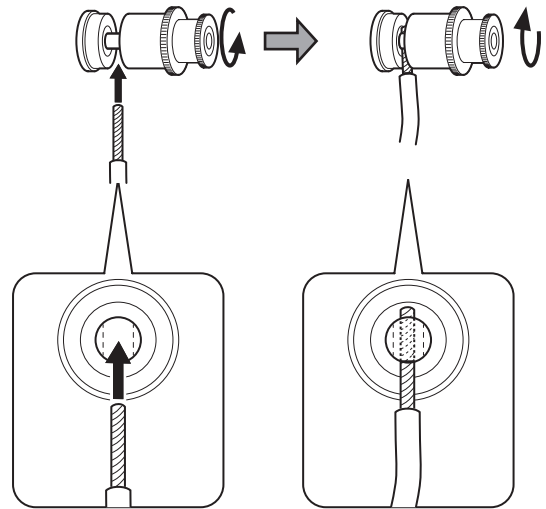
The holes into which banana plugs could be inserted have been covered with black caps. Connect speakers using bare wires or spade connectors.

If a black cap should become separated from its terminal, return it to its original position.

When using bare wires

Loosen locknut B and insert the core wire in the hole. Then, tighten locknut B.

- The hole for the insertion of the core wire is open vertically.

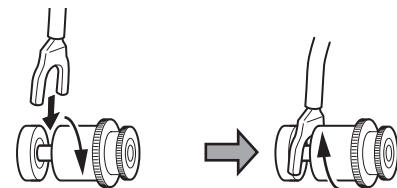


Cross-sections

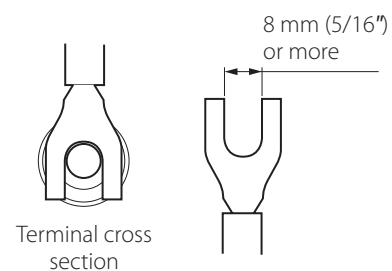
- The maximum wire diameter that can be inserted is 4 mm (5/32").

When using spade connectors

Loosen locknut B and insert the spade connector. Then, tighten locknut B.



- Use a spade connector with an inside diameter of at least 8 mm (5/16").

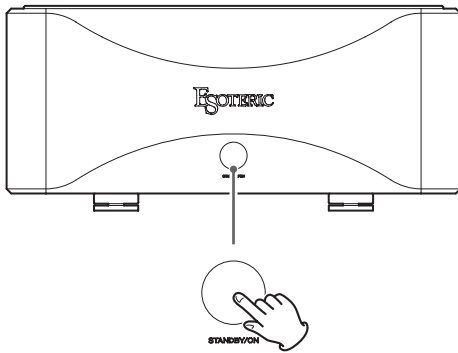


Basic operation

In order to protect the speakers, follow the steps below when turning on and off the system to which this unit is connected.

Turning the power on

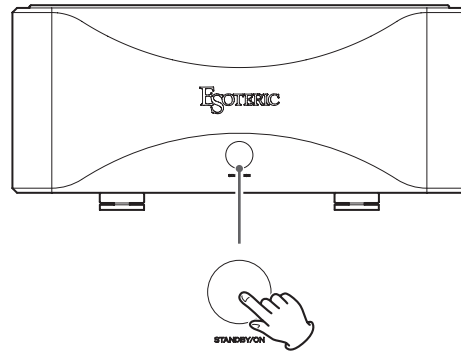
- 1 Turn the audio source device on.**
- 2 Turn the preamp power on and minimize its volume.**
- 3 Press the STANDBY/ON button to turn this unit on.**



After turning the unit on, the power indicator will blink blue and no sound will be output for a few seconds. Wait until the power indicator stops blinking and stays lit before adjusting the volume and conducting other operations.

Turning the power off

- 1 If an audio source device is playing back, stop playback.**
- 2 Minimize the preamplifier volume.**
- 3 Put this unit into standby.**



- 4 Turn the preamplifier off.**
- 5 Turn the audio source device off.**

- To assure safety, always disconnect the power plug from the outlet when cleaning the unit and when traveling or otherwise not using the unit for a long time.

This unit has an overload protection circuit, an overheating protection circuit and a DC voltage protection circuit built-in.

A protection circuit is active when the power indicator repeatedly blinks blue or red in an irregular pattern as described below.

- If the power indicator alternately lights red momentarily followed by a short red blink, a short might have occurred in the +/- speaker cables. In this case, disconnect the power cord and check the speaker connections.
- If the power indicator alternately lights red (or blue) momentarily followed by 3 short red (or blue) blinks, the internal temperature is high. Put the unit into standby and wait a while for the temperature to decrease. You can also change the installation conditions to improve ventilation.
- If the power indicator alternately lights red momentarily followed by 4–5 short red blinks, an internal circuit might be malfunctioning. In this case, disconnect the power cord and contact the retailer where you purchased the unit.

If the indicator continues to blink even after likely causes have been eliminated, contact the store where you purchased the unit.

If you experience a problem with this product, please take a moment to review the following information before requesting service. If this product still does not operate correctly, contact the retailer where you purchased it.

The unit does not turn on.

- ➔ Insert the power plug into an outlet.

Standby mode starts automatically.

- ➔ The automatic power saving function is operating to put the unit into standby.
Press the STANDBY/ON button on the main unit to turn it on.
- ➔ Change the automatic power saving setting if necessary (page 9).

No sound is output.

- ➔ Turn this unit on.
- ➔ Confirm that the preamplifier is on. Before turning the preamplifier on, put this unit into standby.
- ➔ Confirm that a signal is being output from the preamplifier.
- ➔ Check the connections between this unit, the preamplifier and the speaker, as well as between the audio source device and the preamplifier.
- ➔ Confirm that the correct input is selected on the preamplifier.
- ➔ Confirm that the correct input is selected on this unit.
- ➔ Raise the preamplifier volume.

The power indicator repeatedly blinks blue or red in an irregular pattern.

- ➔ A protection circuit is active. Put the unit into standby and eliminate the cause (page 14).

The stereo sound position is irregular.

- ➔ Check that neither of the speakers has a connection cable with +/- reversed.

Audio performance

Rated output	300 W (8 Ω) 600 W (4 Ω)
Frequency response	5 Hz – 100 kHz (+0 dB, –3 dB, 8 Ω)
S/N ratio	119 dB (IHF-A, XLR)
Total harmonic distortion	0.006% (1 kHz, 8 Ω, 300 W)
Compatible impedance	4 Ω – 16 Ω
Gain	28.5 dB
Damping factor	500
Input connectors	
ESL-A	1
RCA	1
XLR	1
Input impedance	
RCA	10 kΩ
XLR	100 kΩ

General

Power supply	
Model for Europe/Hong Kong	AC 230 V, 50 Hz
Model for USA/Canada	AC 120 V, 60 Hz
Power consumption	
Model for Europe/Hong Kong	400 W (55 W when no signal)
In standby	0.4 W or less
Model for USA/Canada	400 W (55 W when no signal)
In standby	0.3 W or less
External dimensions (W × H × D, including protrusions)	
491 × 221 × 536 mm (19 3/8" × 8 3/4" × 21 1/8")	
Weight	62 kg (136 3/4 lb)
Operating temperature range	+5°C to +35°C
Operating humidity range	5% to 85% (no condensation)
Storage temperature range	–20°C to +55°C

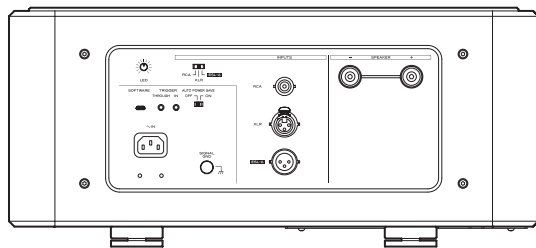
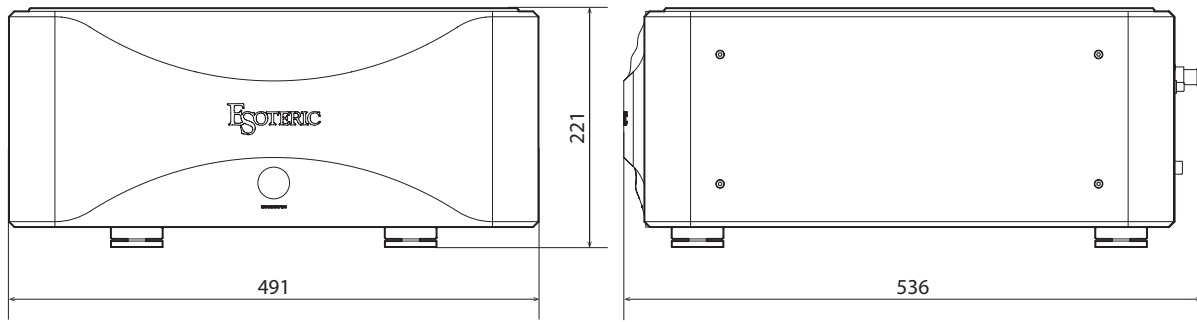
Included accessories

Power cord × 1
Power cord support bracket × 1
Screws for power cord support bracket × 2
Felt pads × 4
Owner's manual (this document) × 1
Warranty card × 1

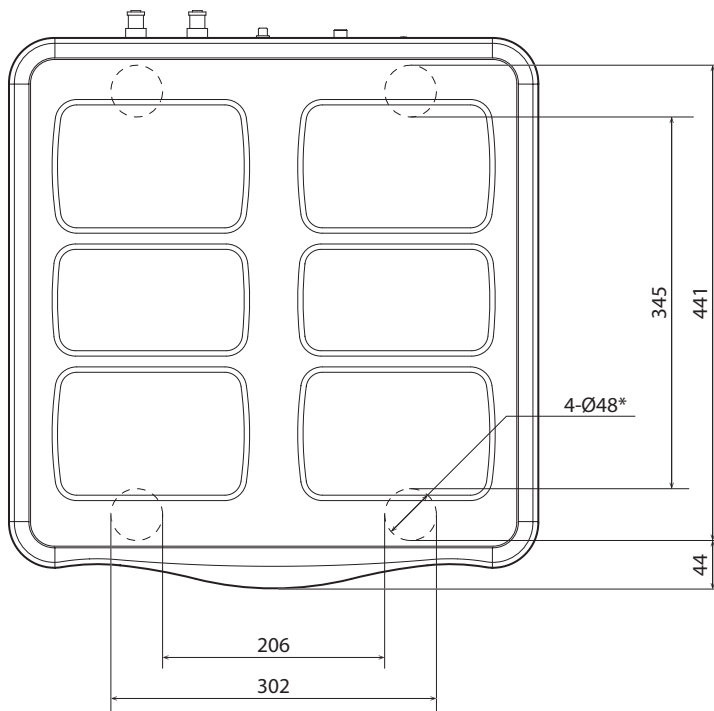
- Specifications and appearance are subject to change without notice.
- Weight and dimensions are approximate.
- Illustrations in this manual might differ slightly from production models.

Dimensional drawings

Main unit



Foot placement diagram



Dimensions in millimeters (mm)
*48mm diameter feet x 4

INSTRUCTIONS DE SÉCURITÉ IMPORTANTES



Le symbole d'éclair à tête de flèche dans un triangle équilatéral sert à prévenir l'utilisateur de la présence dans l'enceinte du produit d'une « tension dangereuse » non isolée d'une grandeur suffisante pour constituer un risque d'électrocution pour les personnes.



Le point d'exclamation dans un triangle équilatéral sert à prévenir l'utilisateur de la présence d'instructions importantes de fonctionnement et de maintenance (entretien) dans les documents accompagnant l'appareil.

AVERTISSEMENT : POUR PRÉVENIR LES RISQUES D'INCENDIE ET D'ÉLECTROCUTION, N'EXPOSEZ PAS CET APPAREIL À LA PLUIE NI À L'HUMIDITÉ.

ATTENTION

- NE RETIREZ PAS LES CAPOTS EXTERNES OU BOÎTIERS POUR EXPOSER L'ÉLECTRONIQUE. AUCUNE PIÈCE INTERNE N'EST RÉPARABLE PAR L'UTILISATEUR.
- SI VOUS RENCONTREZ DES PROBLÈMES AVEC CE PRODUIT, CONTACTEZ LE MAGASIN OÙ VOUS AVEZ ACHETÉ L'UNITÉ. N'UTILISEZ PAS LE PRODUIT TANT QU'IL N'A PAS ÉTÉ RÉPARÉ.
- L'UTILISATION DE COMMANDES, DE RÉGLAGES OU LE SUIVI DE PROCÉDURES AUTRES QUE CE QUI EST DÉCRIT DANS CE DOCUMENT PEUT PROVOQUER UNE EXPOSITION À UN RAYONNEMENT DANGEREUX.

- 1) Lisez ces instructions.
- 2) Conservez ces instructions.
- 3) Tenez compte de tous les avertissements.
- 4) Suivez toutes les instructions.
- 5) N'utilisez pas cet appareil avec de l'eau à proximité.
- 6) Ne nettoyez l'appareil qu'avec un chiffon sec.
- 7) Ne bloquez aucune ouverture de ventilation. Installez-le conformément aux instructions du fabricant.
- 8) N'installez pas l'appareil près de sources de chaleur telles que des radiateurs, bouches de chauffage, poêles ou autres appareils (y compris des amplificateurs) dégageant de la chaleur.
- 9) Ne neutralisez pas la fonction de sécurité de la fiche polarisée ou de terre. Une fiche polarisée a deux broches, l'une plus large que l'autre. Une fiche de terre a deux broches identiques et une troisième broche pour la mise à la terre. La broche plus large ou la troisième broche servent à votre sécurité. Si la fiche fournie n'entre pas dans votre prise, consultez un électricien pour le remplacement de la prise obsolète.

10) Évitez de marcher sur le cordon d'alimentation et de le pincer, en particulier au niveau des fiches, des prises secteur, et du point de sortie de l'appareil.

11) N'utilisez que des fixations/accessoires spécifiés par le fabricant.

12) Utilisez-le uniquement avec des chariots, socles, trépieds, supports ou tables spécifiés par le fabricant ou vendus avec l'appareil. Si un chariot est utilisé, faites attention à ne pas être blessé par un renversement lors du déplacement de l'ensemble chariot/appareil.



13) Débranchez cet appareil en cas d'orage ou de non utilisation prolongée.

14) Confiez toute réparation à des techniciens de maintenance qualifiés. Une réparation est nécessaire si l'appareil a été endommagé d'une quelconque façon, par exemple si le cordon ou la fiche d'alimentation est endommagé, si du liquide a été renversé sur l'appareil ou si des objets sont tombés dedans, si l'appareil a été exposé à la pluie ou à l'humidité, s'il ne fonctionne pas normalement, ou s'il est tombé.

- L'appareil tire un courant nominal de veille de la prise secteur quand son interrupteur POWER ou STANDBY/ON n'est pas en position ON.
- La fiche secteur est utilisée comme dispositif de déconnexion et doit donc toujours rester disponible.
- Des précautions doivent être prises en cas d'utilisation d'écouteurs ou d'un casque avec le produit car une pression sonore excessive (volume trop fort) dans les écouteurs ou dans le casque peut causer une perte auditive.

AVERTISSEMENT

Les produits ayant une construction de Classe **I** sont équipés d'un cordon d'alimentation avec une fiche de terre. Le cordon d'un tel produit doit être branché dans une prise secteur avec terre de sécurité.

AUX USA/CANADA, UTILISEZ UNIQUEMENT UNE TENSION D'ALIMENTATION DE 120 V.

ATTENTION

- N'exposez pas cet appareil aux gouttes ni aux éclaboussures.
- Ne placez pas d'objet rempli de liquide sur l'appareil, comme par exemple un vase.
- N'installez pas cet appareil dans un espace confiné comme une bibliothèque ou un meuble similaire.
- L'appareil doit être placé suffisamment près de la prise de courant pour que vous puissiez à tout moment attraper facilement la fiche du cordon d'alimentation.
- Si le produit utilise des piles/batteries (y compris un pack de batteries ou des piles installées), elles ne doivent pas être exposées au soleil, au feu ou à une chaleur excessive.
- **PRÉCAUTION** pour les produits qui utilisent des batteries remplaçables au lithium : remplacer une batterie par un modèle incorrect entraîne un risque d'explosion. Remplacez-les uniquement par un type identique ou équivalent.

Modèle pour le Canada

Déclaration de conformité d'Innovation, Sciences et Développement économique Canada :

CET APPAREIL NUMÉRIQUE DE LA CLASSE B EST CONFORME À LA NORME NMB-003 DU CANADA

Modèle pour l'Europe



Ce produit est conforme aux directives européennes et aux autres réglementations de la Commission européenne.

Pour les consommateurs européens

Mise au rebut des équipements électriques et électroniques et des piles et/ou accumulateurs

- Tout équipement électrique/électronique et pile/accumulateur hors d'usage doit être traité séparément de la collecte municipale d'ordures ménagères dans des points de collecte désignés par le gouvernement ou les autorités locales.
- En vous débarrassant correctement des équipements électriques/électroniques et piles/accumulateurs hors d'usage, vous contribuerez à la sauvegarde de précieuses ressources et à la prévention de potentiels effets négatifs sur la santé humaine et l'environnement.
- Le traitement incorrect des équipements électriques/électroniques et piles/accumulateurs hors d'usage peut avoir des effets graves sur l'environnement et la santé humaine en raison de la présence de substances dangereuses dans les équipements.

- Le symbole de déchets d'équipements électriques et électroniques (DEEE), qui représente une poubelle à roulettes barrée d'une croix, indique que les équipements électriques/électroniques et piles/accumulateurs doivent être collectés et traités séparément des déchets ménagers.



Si une pile ou un accumulateur contient plus que les valeurs de plomb (Pb), mercure (Hg) et/ou cadmium (Cd) spécifiées dans la directive sur les piles et accumulateurs (2006/66/CE, 2013/56/UE), alors les symboles **Pb, Hg, Cd** chimiques de ces éléments seront indiqués sous le symbole DEEE.



- Des systèmes de retour et de collecte sont disponibles pour l'utilisateur final. Pour des informations plus détaillées sur la mise au rebut des vieux équipements électriques/électroniques et piles/accumulateurs hors d'usage, veuillez contacter votre mairie, le service d'ordures ménagères ou le magasin dans lequel vous avez acquis l'équipement.

ESOTERIC is a trademark of TEAC CORPORATION, registered in the U.S. and other countries.

Les autres noms de société et de produit cités dans ce document sont des marques commerciales ou déposées de leurs détenteurs respectifs.

Nous vous remercions d'avoir choisi ce produit ESOTERIC. Lisez attentivement ce mode d'emploi pour tirer les meilleures performances de ce produit. Après l'avoir lu, gardez-le en lieu sûr avec la carte de garantie pour vous y référer ultérieurement.

INSTRUCTIONS DE SÉCURITÉ IMPORTANTES.....	17
Avant l'utilisation.....	20
Entretien.....	21
Parties et fonctions.....	22
Branchement par liaison ES-LINK Analog.....	24
Branchements.....	25
Branchement des enceintes.....	26
Fonctionnement de base.....	27
Notes sur les circuits de protection.....	28
Guide de dépannage.....	28
Caractéristiques techniques.....	29
Schémas avec cotes.....	30

Accessoires fournis

Vérifiez que vous disposez bien de tous les accessoires indiqués ci-dessous. Veuillez contacter le magasin dans lequel vous avez acheté ce produit si l'un de ces accessoires manque ou a été endommagé durant le transport.

- Cordon d'alimentation × 1
- Plateau de soutien de cordon d'alimentation × 1
- Vis pour le plateau de soutien de cordon d'alimentation × 2
- Patins en feutre × 4
- Mode d'emploi (ce document) × 1
- Carte de garantie × 1

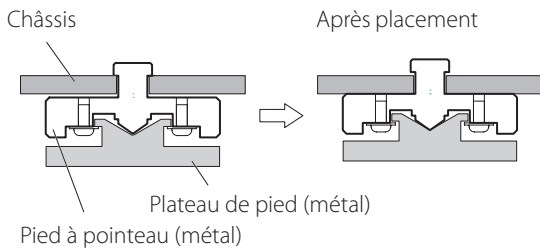
Précautions d'emploi

- L'unité est très lourde, aussi faites attention de ne pas vous blesser durant l'installation.
- Placez l'unité sur une surface stable près du système audio qui sera utilisé avec elle.
- N'installez pas cette unité dans un lieu qui pourrait chauffer. Cela comprend les endroits exposés directement au soleil ou près d'un radiateur, d'un chauffage, d'une cuisinière ou d'autres appareils chauffants. En outre, ne la placez pas au-dessus d'un amplificateur ou autre équipement dégageant de la chaleur. Cela pourrait causer une décoloration, une déformation ou un mauvais fonctionnement.
- Évitez les endroits sujets aux vibrations ou exposés à une poussière excessive, au froid et à l'humidité.
- Cette unité génère plus de chaleur que des amplificateurs de puissance ordinaires. Lorsque vous l'installez, faites-le en maintenant un écart d'au moins 20 cm avec les murs environnants et autres obstacles.
Si vous la placez dans une bibliothèque ou un rack, suivez non seulement les instructions ci-dessus, mais utilisez aussi un modèle avec des ouvertures de ventilation, et faites attention à la température.
Ne pas laisser ces espaces peut faire monter la température au risque d'entraîner un incendie.
- Ne l'installez pas debout, face vers le haut ou sur le côté.
- Ne placez rien sur cette unité. Ne la placez pas sur une literie ou un tapis épais. Cela pourrait entraîner la surchauffe de l'unité ou l'endommager.
- La tension du courant fourni à l'unité doit correspondre à la tension imprimée sur sa face arrière. Si vous avez des doutes à ce sujet, consultez un électricien.
- Ne déplacez pas l'unité durant l'utilisation.
- N'ouvrez pas le boîtier de l'unité car cela pourrait endommager le circuit ou entraîner un choc électrique. Si un objet étranger pénètre dans l'unité, consultez votre revendeur.
- Quand vous débranchez la fiche d'alimentation d'une prise secteur, tirez toujours directement sur la fiche. Ne tirez jamais sur le cordon lui-même.

Note sur les pieds de découplage

Des pieds à pointeau métallique de haute précision sont fixés à la plaque inférieure de cette unité.

Les pieds à pointeau et leur plateau de protection ne sont pas fixés de façon rigide, mais quand l'unité est posée à sa place, elle est soutenue par ces pieds à pointeau, qui dispersent efficacement les vibrations.

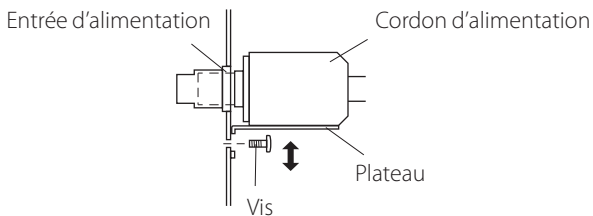


- Fixez les patins de feutre fournis sous les pieds de protection pour éviter de rayer la surface sur laquelle est placée l'unité.

À propos du plateau de soutien du cordon d'alimentation

Cette unité comprend un plateau de soutien des cordons d'alimentation lourds.

Alignez-le avec le cordon d'alimentation utilisé et fixez-le en serrant fermement les vis.

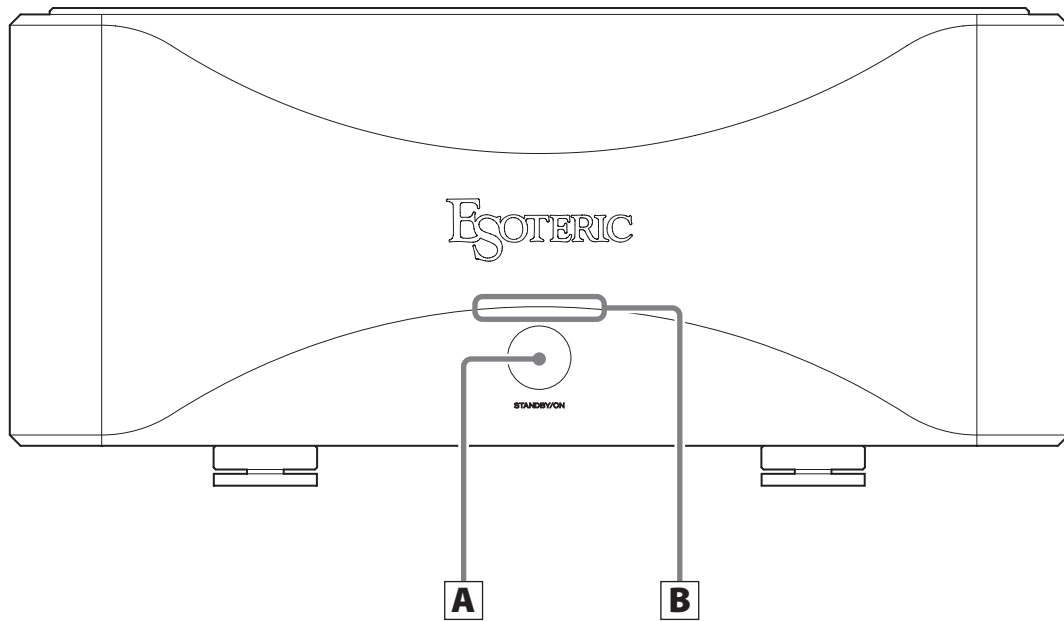


Utilisez un chiffon sec et doux pour nettoyer la surface de l'unité. Pour les taches tenaces, utilisez un chiffon humide soigneusement essoré afin d'éliminer l'excès d'humidité.

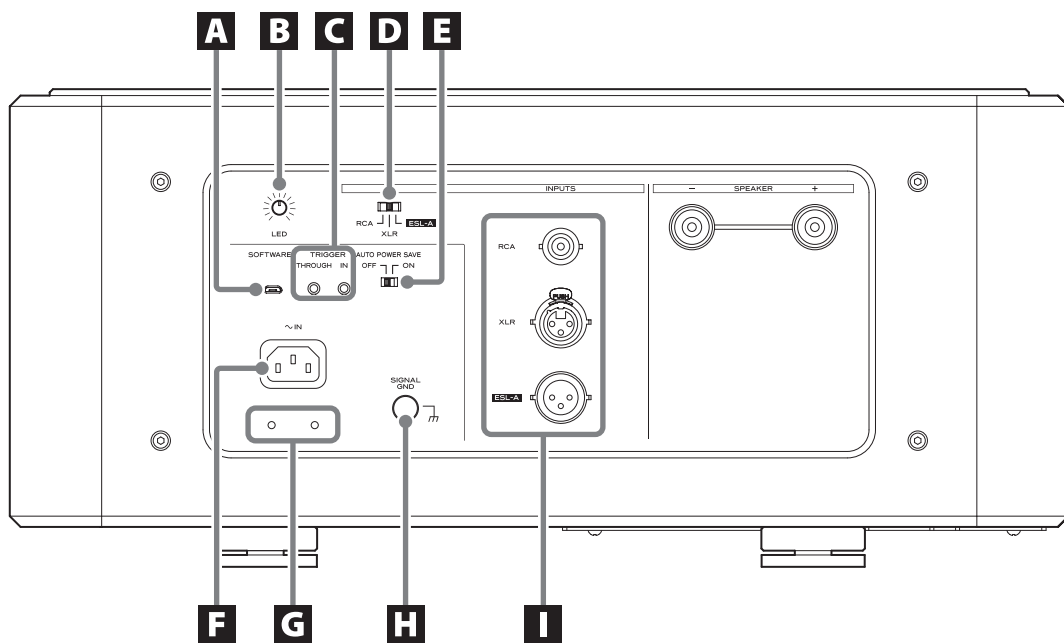
- Ne vaporisez jamais du liquide directement sur cette unité.
- N'utilisez pas de lingettes de nettoyage imbibées de produit chimique, de diluant ou d'autres agents chimiques. Cela pourrait endommager la surface.
- Évitez un contact prolongé de l'unité avec des matériaux caoutchouteux ou plastiques car ceux-ci peuvent endommager le boîtier.

⚠ Pour votre sécurité, débranchez le cordon d'alimentation de la prise secteur avant tout nettoyage.

Avant



Arrière



A Touche STANDBY/ON

Appuyez sur cette touche pour allumer l'unité ou la mettre en veille (standby).

Après mise sous tension de l'unité, le voyant d'alimentation clignote en bleu et aucun son n'est émis pendant quelques secondes. Attendez que le voyant cesse de clignoter et s'allume fixement.

- Cette unité étant dotée d'un transformateur de puissance et de condensateurs de grande taille, le transformateur peut produire un bruit pendant un court instant après la mise sous tension de l'unité. C'est un comportement normal, pas un mauvais fonctionnement.

B Voyant d'alimentation POWER

Il s'allume en bleu quand l'unité est sous tension.

A Port de maintenance SOFTWARE

Sert à la maintenance. N'y branchez rien sauf si vous êtes invité à le faire par notre service après-vente.

B Bouton de réglage de luminosité de LED

Utilisez-le pour régler la luminosité du voyant d'alimentation.

C Prises TRIGGER

Utilisez-les pour contrôler l'alimentation depuis une source externe.

Ne branchez rien à ces prises lorsque vous ne les utilisez pas.

D Sélecteur d'entrée

Utilisez-le pour choisir entre les entrées RCA, XLR et ESL-A.

⚠ Ne le déplacez pas quand l'unité est allumée. Cela pourrait entraîner un bruit fort et soudain risquant d'endommager votre audition ou les enceintes connectées.

E Commutateur AUTO POWER SAVE

Sert à mettre en ou hors service la fonction d'économie automatique d'énergie.

Quand la fonction d'économie automatique d'énergie est en service, après environ 30 minutes sans signal audio (silence continu) à la source d'entrée sélectionnée, l'unité se met automatiquement en veille.

- Les sources d'entrée non sélectionnées n'agissent pas sur l'économie automatique d'énergie.

F Prise d'entrée secteur (~IN)

Branchez le cordon d'alimentation fourni à cette prise d'entrée secteur.

Après avoir terminé tous les autres branchements, insérez la fiche du cordon d'alimentation dans une prise secteur.

⚠ N'utilisez qu'un authentique cordon d'alimentation ESOTERIC. L'utilisation d'autres cordons d'alimentation peut entraîner un incendie ou un choc électrique.

⚠ Débranchez le cordon de la prise secteur en cas de non-utilisation prolongée de l'unité.

G Orifices pour les vis du plateau de soutien du cordon d'alimentation

Fixez-y le plateau de soutien du cordon d'alimentation (page 21).

H Borne de masse SIGNAL GND

Utiliser un câble gainé du commerce (par exemple à isolant PVC) pour mettre à la masse des connexions avec les enceintes, le préamplificateur ou d'autres équipements peut améliorer la qualité du son.

- Ce n'est pas une borne de terre de sécurité.

I Prises d'entrée analogique

Branchez-les aux prises de sortie analogique de préamplis.

Réglez le sélecteur d'entrée en fonction de la prise à utiliser.

Utilisez des câbles du commerce pour les branchements.

RCA : câble RCA

XLR, ESL-A : câbles XLR symétriques

Insérez une fiche XLR symétrique jusqu'à ce que le loquet de la prise se verrouille. Appuyez sur ce loquet et retirez la fiche pour la déconnecter.

- La broche 2 de la prise XLR est le « point chaud ». Utilisez un câble compatible.
- Insérez la fiche à fond. Ne regroupez pas ces câbles avec les cordons d'alimentation ou les câbles d'enceintes. Cela pourrait dégrader la qualité audio ou causer des parasites.

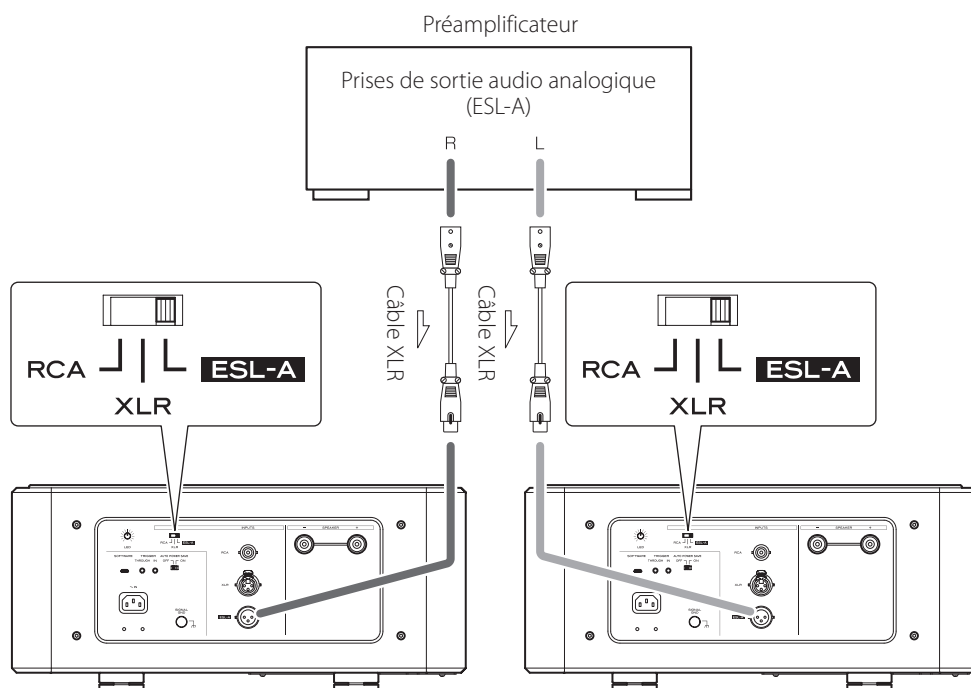
Branchement par liaison ES-LINK Analog

Présentation d'ES-LINK Analog

La méthode de transmission actuelle utilise les performances de circuits tampons HCLD qui se caractérisent par leur capacité à fournir un courant fort à haut débit. Cela supprime l'impact de l'impédance sur les trajets des signaux, permettant une transmission pure et puissante des signaux.

- Cette connexion se fait au moyen de câbles symétriques ordinaires (à connecteurs XLR).
Ces prises ne peuvent toutefois être raccordées qu'à des appareils compatibles, car le format de transmission est particulier.

Branchement à un préamplificateur par liaison ES-LINK Analog



Utilisez un câble XLR pour raccorder la prise de sortie audio analogique (ESL-A) d'un préampli à la prise d'entrée ES-LINK Analog (ESL-A) de cette unité.

- Réglez le sélecteur d'entrée de cette unité sur ESL-A.
- Les connexions XLR et RCA normales sont également possibles. Sélectionnez le type de connexion qui apporte la qualité audio que vous préférez.

ATTENTION

La prise d'entrée ESL-A de cette unité est de type mâle pour éviter une connexion accidentelle par confusion avec la prise d'entrée XLR.

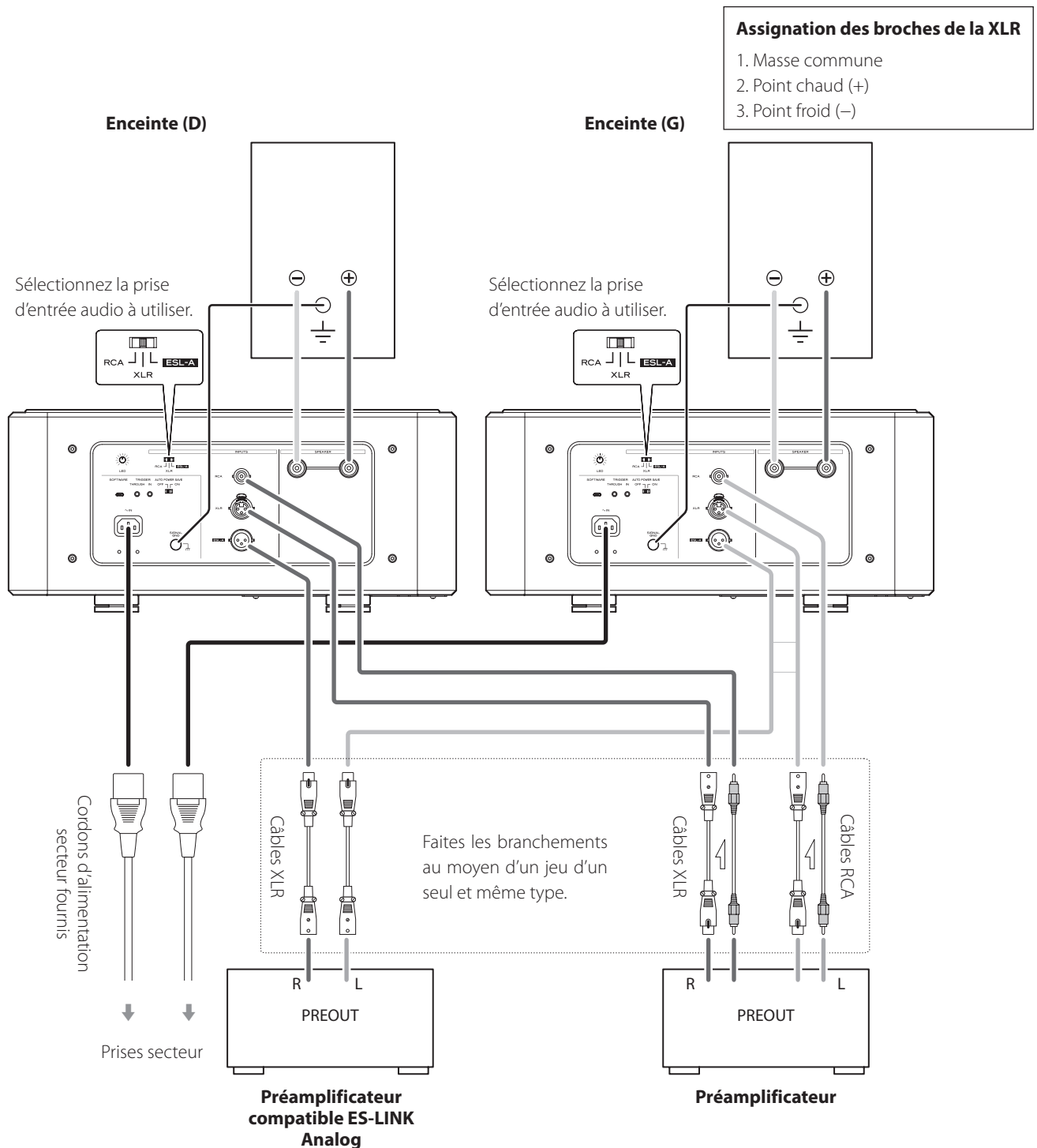
⚠ Précautions lors des branchements

Faites tous les autres branchements avant de brancher les fiches d'alimentation dans les prises secteur. Débranchez toujours la fiche d'alimentation de cette unité avant de débrancher quoi que ce soit d'autre.

Lisez les modes d'emploi de tous les appareils qui seront connectés et suivez leurs instructions.

⚠ Précautions lors du branchement des câbles d'enceinte

Branchez correctement les câbles pour qu'ils ne se desserrent pas et que les extrémités des conducteurs ou des borniers ne soient pas exposées au risque d'entrer en contact avec d'autres parties métalliques de l'unité.



Notes sur les câbles d'enceintes

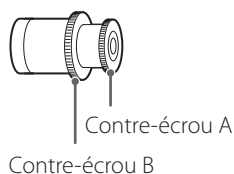
- Utilisez des câbles d'enceinte du commerce pour brancher les enceintes.
- Utilisez les câbles d'enceinte les plus courts possibles. Plus le câble est long, plus grande est la valeur de la résistance et plus les performances en matière d'amortissement sont réduites. En outre, la longueur accroît également l'inductance et la capacitance, dégradant la qualité sonore dans les hautes fréquences.
- Utilisez des câbles de même longueur pour les enceintes gauche et droite.

Comment brancher les câbles d'enceinte

Utilisez des câbles d'enceinte du commerce pour relier le bornier + de l'unité au bornier + de l'enceinte et le bornier – de l'unité au bornier – de l'enceinte.

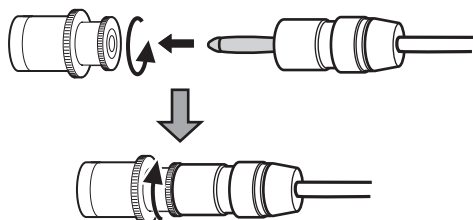
- Utilisez des enceintes d'au moins 4Ω d'impédance.
- Si l'extrémité dénudée d'un conducteur de câble d'enceinte entre en contact avec un autre câble ou bornier, un court-circuit peut se produire.
Ne laissez jamais un câble d'enceinte entrer en court-circuit.
- Ne connectez pas plusieurs amplificateurs à une même enceinte.
- Ne regroupez pas des câbles d'enceinte avec des cordons d'alimentation. Cela pourrait entraîner des bruits.

⚠ La fiche d'alimentation doit toujours être débranchée lors de la connexion des câbles d'enceinte.



Si vous utilisez des fiches bananes

Desserrez le contre-écrou A et insérez la fiche dans l'orifice du bornier. Puis, serrez le contre-écrou A.



- Maintenez le contre-écrou B serré pendant l'utilisation.
- Lisez attentivement les instructions concernant les fiches bananes que vous utilisez.

Remarque concernant le modèle européen

Conformément aux réglementations de sécurité européennes, le branchement de fiches bananes à des borniers d'enceinte n'est pas autorisé sur les modèles européens.

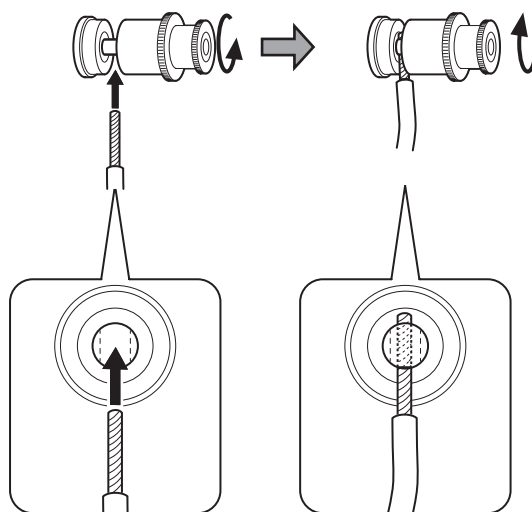
Les orifices dans lesquels pourraient s'insérer les fiches bananes ont été occultés par des capuchons noirs. Branchez les enceintes à l'aide de câbles nus ou portant des cosses à fourche.

Si un capuchon noir sort de son bornier, remettez-le en place.

Si vous utilisez des fils dénudés

Desserrez le contre-écrou B et insérez l'âme du câble dans l'orifice. Puis, serrez le contre-écrou B.

- L'orifice permet d'insérer l'âme du câble verticalement.

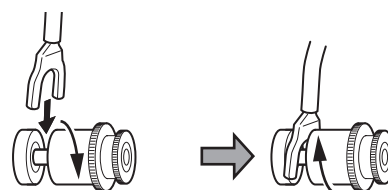


Vues en coupe

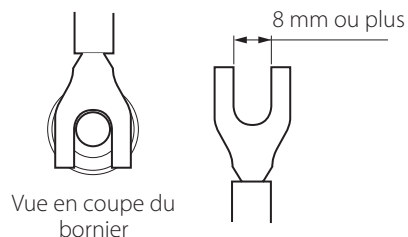
- Le diamètre maximal de conducteur pouvant être inséré est de 4 mm.

Si vous utilisez des cosses à fourche

Desserrez le contre-écrou B et insérez la cosse à fourche. Puis, serrez le contre-écrou B.



- La cosse à fourche utilisée doit avoir un diamètre interne d'au moins 8 mm.

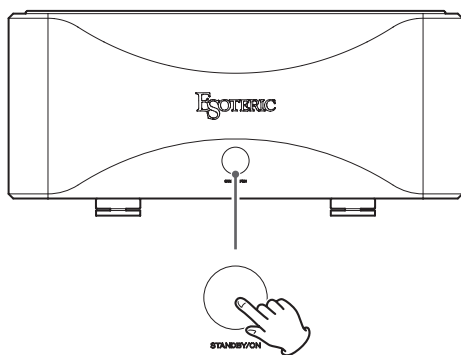


Fonctionnement de base

Afin de protéger les enceintes, suivez les étapes ci-dessous lors de la mise sous et hors tension du système auquel cette unité est connectée.

Mise sous tension

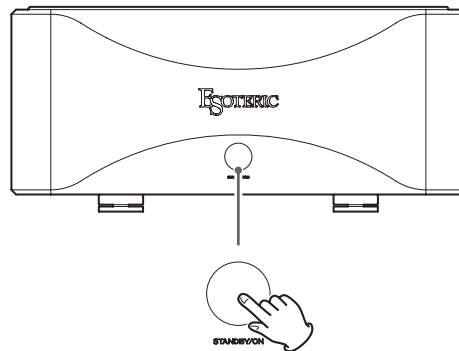
- 1 Allumez la source audio.**
- 2 Mettez le préampli sous tension et réduisez son volume au minimum.**
- 3 Appuyez sur la touche STANDBY/ON pour allumer cette unité.**



Après mise sous tension de l'unité, le voyant d'alimentation clignote en bleu et aucun son n'est émis pendant quelques secondes. Attendez que le voyant d'alimentation cesse de clignoter et reste allumé avant de régler le volume et d'effectuer d'autres opérations.

Mise hors tension

- 1 Si une source audio est en lecture, arrêtez la lecture.**
- 2 Réduisez le volume du préamplificateur au minimum.**
- 3 Mettez cette unité en veille**



- 4 Éteignez le préamplificateur.**
- 5 Éteignez la source audio.**

- Pour garantir la sécurité, débranchez toujours la fiche d'alimentation de la prise secteur lorsque vous nettoyez l'unité et lors des déplacements ou en cas de non-utilisation prolongée de l'unité.

Cette unité intègre un circuit de protection contre la surcharge, un circuit de protection contre la surchauffe et un circuit de protection contre le courant continu.

Un circuit de protection est activé quand le voyant d'alimentation clignote en bleu ou en rouge selon une des séquences irrégulières décrites ci-dessous.

- Si le voyant d'alimentation s'allume momentanément en rouge avant un court clignotement rouge, un court-circuit s'est peut-être produit dans les câbles +/- des enceintes. Dans ce cas, débranchez le cordon d'alimentation et vérifiez les branchements des enceintes.
- Si le voyant d'alimentation s'allume momentanément en rouge (ou bleu) avant 3 courts clignotements rouges (ou bleus), c'est que la température interne est élevée. Mettez l'unité en veille et attendez un moment que la température baisse. Vous pouvez également changer les conditions d'installation pour améliorer l'aération.
- Si le voyant d'alimentation s'allume momentanément en rouge avant 4 à 5 courts clignotements rouges, c'est qu'un circuit interne peut mal fonctionner. Dans ce cas, débranchez le cordon d'alimentation et contactez le revendeur chez qui vous avez acheté l'unité.

Si le voyant continue de clignoter même après élimination des causes probables, contactez le magasin dans lequel vous avez acheté l'unité.

Si vous rencontrez un problème avec ce produit, veuillez prendre un moment pour lire les informations suivantes avant de solliciter une réparation.

Si ce produit ne fonctionne toujours pas correctement, contactez le revendeur chez qui vous l'avez acheté.

L'unité ne s'allume pas.

- ➔ Insérez la fiche d'alimentation dans une prise secteur.

Le mode de veille s'active automatiquement.

- ➔ La fonction d'économie automatique d'énergie intervient pour faire passer l'unité en veille. Appuyez sur la touche STANDBY/ON de l'unité principale pour l'allumer.
- ➔ Changez si nécessaire le réglage de la fonction d'économie automatique d'énergie (page 23).

Aucun son n'est produit.

- ➔ Allumez cette unité.
- ➔ Vérifiez que le préamplificateur est allumé. Avant d'allumer le préamplificateur, mettez cette unité en veille.
- ➔ Vérifiez qu'un signal sort du préamplificateur.
- ➔ Vérifiez les connexions entre cette unité, le préamplificateur et l'enceinte, ainsi qu'entre la source audio et le préamplificateur.
- ➔ Vérifiez que la bonne entrée est sélectionnée sur le préamplificateur.
- ➔ Vérifiez que la bonne entrée est sélectionnée sur cette unité.
- ➔ Montez le volume du préamplificateur.

Le voyant d'alimentation clignote de façon répétée en bleu ou en rouge selon une séquence irrégulière.

- ➔ Un circuit de protection est activé. Mettez l'unité en veille et éliminez la cause du problème (page 28).

La position du son dans la stéréo est anormale.

- ➔ Vérifiez qu'aucune des enceintes n'est branchée au moyen d'un câble de connexion dont les pôles +/- sont inversés.

Performances audio

Puissance nominale	300 W (8 Ω) 600 W (4 Ω)
Réponse en fréquence	5 Hz – 100 kHz (+0 dB, –3 dB, 8 Ω)
Rapport signal/bruit	119 dB (IHF-A, XLR)
Distorsion harmonique totale	0,006 % (1 kHz, 8 Ω , 300 W)
Impédance compatible	4 Ω – 16 Ω
Gain	28,5 dB
Facteur d'amortissement	50
Prises d'entrée	
ESL-A	1
RCA	1
XLR	1
Impédance d'entrée	
RCA	10 k Ω
XLR	100 k Ω

Générales

Alimentation électrique	
Modèle Europe/Hong-Kong	CA 230 V, 50 Hz
Modèle USA/Canada	CA 120 V, 60 Hz
Consommation électrique	
Modèle Europe/Hong Kong ..	400 W (55 W en l'absence de signal)
En veille	0,4 W ou moins
Modèle USA/ Canada	400 W (55 W en l'absence de signal)
En veille	0,3 W ou moins
Dimensions externes (L x H x P, saillies incluses) ..	491 x 221 x 536 mm
Poids	62 kg
Température de fonctionnement	+5 °C à +35 °C
Hygrométrie de fonctionnement	5 % à 85 % (sans condensation)
Température de stockage	–20 °C à +55 °C

Accessoires fournis

Cordon d'alimentation x 1
Plateau de soutien de cordon d'alimentation x 1
Vis pour le plateau de soutien de cordon d'alimentation x 2
Patins en feutre x 4
Mode d'emploi (ce document) x 1
Carte de garantie x 1

- Caractéristiques techniques et aspect sont sujets à changements sans préavis.
- Le poids et les dimensions sont des valeurs approchées.
- Les illustrations de ce mode d'emploi peuvent légèrement différer des modèles de production.

Unité principale

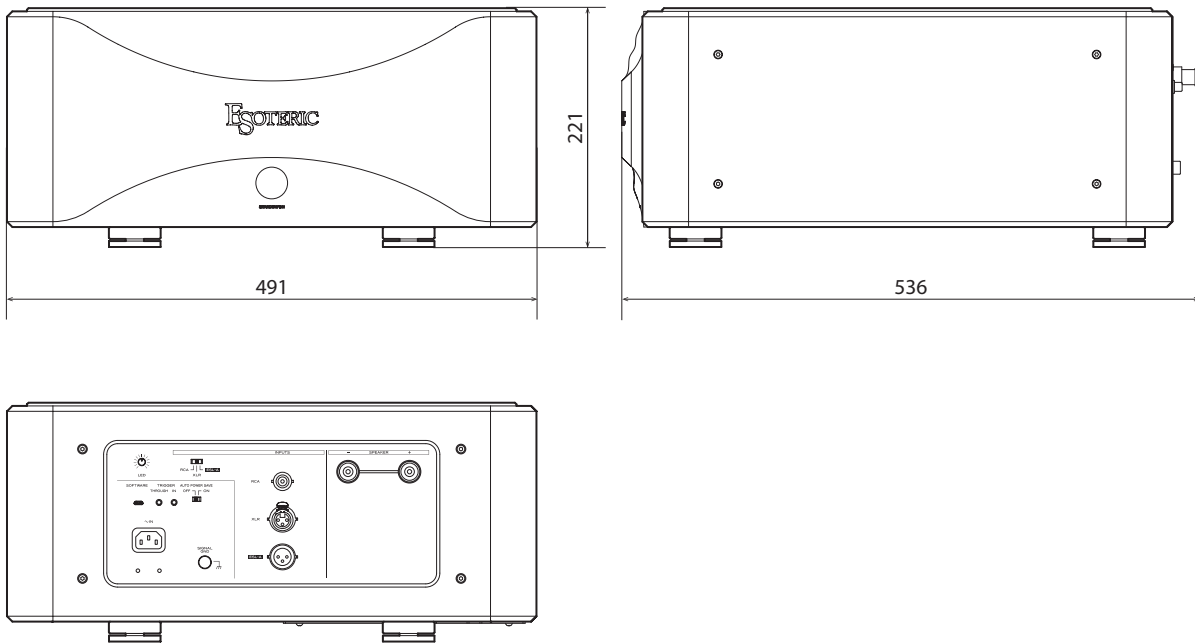
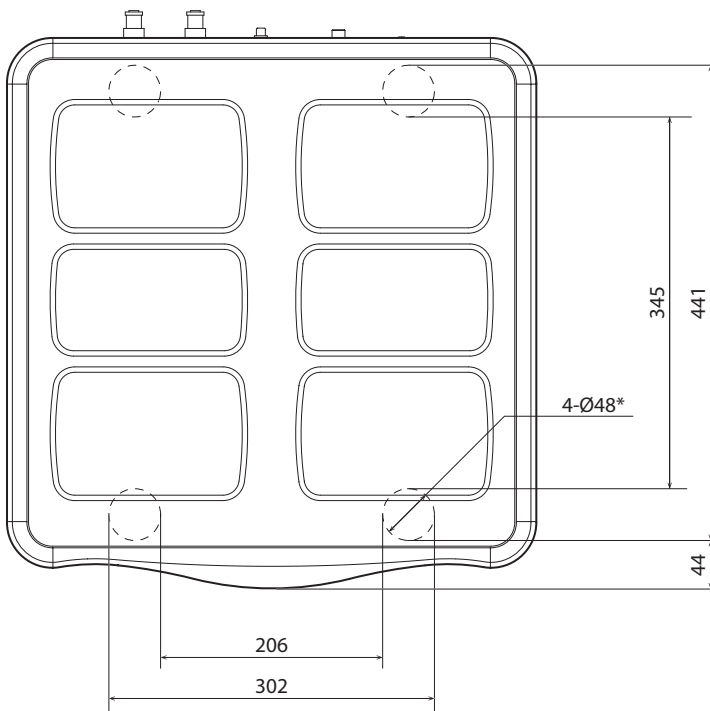


Schéma de positionnement des pieds



Les dimensions sont en millimètres (mm)
*Pieds de 48 mm de diamètre x 4

INSTRUCCIONES IMPORTANTES DE SEGURIDAD



El símbolo del rayo acabado en flecha dentro de un triángulo equilátero alerta al usuario de la presencia de un "voltaje peligroso" sin aislar dentro de la carcasa del producto que puede ser de magnitud suficiente como para constituir riesgo de descarga eléctrica para las personas.



El signo de exclamación dentro de un triángulo equilátero alerta al usuario de la presencia de importantes instrucciones de funcionamiento y mantenimiento en la literatura que acompaña al aparato.

AVISO: PARA EVITAR RIESGO DE INCENDIO O DESCARGAS ELÉCTRICAS, NO EXPONGA ESTE APARATO A LA LLUVIA NI A LA HUMEDAD.

PRECAUCIÓN

- NO quite las carcasas externas ni deje al aire la electrónica. ¡EN EL INTERIOR NO HAY piezas que el usuario pueda manipular!
- SI experimenta problemas con este producto, PÓNGASE EN CONTACTO CON EL ESTABLECIMIENTO DONDE ADQUIRIÓ LA UNIDAD PARA SOLICITAR SERVICIO TÉCNICO. NO UTILICE EL APARATO HASTA QUE HAYA SIDO REPARADO.
- EL USO DE CONTROLES, AJUSTES O PROCEDIMIENTOS QUE NO SEAN LOS ESPECIFICADOS EN ESTE MANUAL PUEDE CAUSAR EXPOSICIÓN A RADIACIONES PELIGROSAS.

- 1) Lea estas instrucciones.
- 2) Conserve estas instrucciones.
- 3) Cumpla con lo indicado en los avisos.
- 4) Siga todas las instrucciones.
- 5) No utilice este aparato cerca del agua.
- 6) Límpielo solo con un trapo seco.
- 7) No bloquee ninguna de las ranuras de ventilación. Instale este aparato de acuerdo con las instrucciones del fabricante.
- 8) No instale este aparato cerca de fuentes de calor como radiadores, calentadores, hornos u otros aparatos (incluyendo amplificadores) que produzcan calor.
- 9) No elimine el sistema de seguridad que supone el enchufe polarizado o con toma de tierra. Un enchufe polarizado tiene dos bornes, uno más ancho que el otro. Uno con toma de tierra tiene dos bornes iguales y una tercera lámina para la conexión a tierra. El borne ancho o la lámina se incluyen para su seguridad. Si el enchufe que venga con la unidad no encaja en su salida de corriente, haga que un electricista cambie su salida anticuada.

- 10) Evite que el cable de corriente quede de forma que pueda ser pisado o quedar retorcido o aplastado, especialmente en los enchufes, receptáculos o en el punto en el que salen del aparato.
- 11) Use solo accesorios/complementos especificados por el fabricante.



- 12) Utilice este aparato solo con un soporte, trípode o bastidor especificado por el fabricante o que se venda con el propio aparato. Cuando utilice un bastidor con ruedas, tenga cuidado al mover la combinación de aparato/bastidor para evitar que vuelque y puedan producirse daños.
- 13) Desconecte este aparato de la corriente durante las tormentas eléctricas o cuando no lo vaya a usar durante un periodo de tiempo largo.
- 14) Dirija cualquier posible reparación solo al servicio técnico oficial. Este aparato deberá ser reparado si se ha dañado de alguna forma, como por ejemplo si el cable de corriente o el enchufe están rotos, si ha sido derramado algún líquido sobre la unidad o algún objeto ha sido introducido en ella, si ha quedado expuesto a la lluvia o la humedad, si no funciona normalmente o si ha caído al suelo en algún momento.

- Este aparato libera corriente nominal no válida para el funcionamiento a través de la toma de corriente, aún cuando el interruptor de encendido y activación (POWER o STANDBY/ON) no esté en la posición de encendido (ON).
- El enchufe que se conecta a la red es el dispositivo de desconexión, por lo que deberá permanecer siempre en perfecto estado de uso.
- Deberá llevar cuidado si utiliza auriculares con este producto, ya que una excesiva presión sonora (volumen) procedente de los mismos puede causar pérdidas de audición.

AVISO

Los productos con construcción de Clase **I** están equipados con un cable de alimentación que tiene conexión de tierra. El cable de estos productos deberá conectarse a una toma de corriente que tenga conexión de protección de tierra.

EN EE. UU./CANADÁ, UTILICE SOLO ALIMENTACIÓN CON CORRIENTE DE 120 V.

PRECAUCIÓN

- No exponga este aparato a salpicaduras ni goteras.
- No coloque objetos que contengan líquidos, como por ejemplo jarrones, sobre el aparato.
- No instale este aparato en lugares cerrados tales como estanterías o similares.
- Este aparato debe situarse lo suficientemente cerca de una toma de electricidad como para poder alcanzar fácilmente el cable de corriente en cualquier momento.
- Si el producto utiliza pilas (esto incluye las pilas instaladas y los "packs" de pilas), se evitará su exposición directa al sol, al fuego o a cualquier otra fuente de calor excesivo.
- **PRECAUCIÓN** con los productos que emplean baterías de litio reemplazables: existe peligro de explosión si la batería se reemplaza por otra de tipo incorrecto. Reemplácela sólo por otra igual o de tipo equivalente.

Declaración de conformidad del suministrador

Número de modelo: Grandioso M1X

Marca comercial: ESOTERIC

Parte responsable: 11 Trading Company, LLC

Dirección: 3502 Woodview Trace #200 Indianapolis, IN 46268 U.S.A.

URL: <https://11tradingcompany.com/contact-us/>

Este dispositivo cumple con el apartado 15 de las Normas de la FCC. Su funcionamiento está sujeto a las dos siguientes condiciones:

- 1) Este dispositivo no puede causar interferencias perjudiciales
- 2) Este dispositivo debe aceptar cualquier interferencia recibida, incluidas interferencias que puedan causar anomalías de funcionamiento.

Información

Se ha comprobado que este equipo cumple con los límites establecidos para los dispositivos digitales de Clase B, de acuerdo con el apartado 15 de las Normas de la FCC. Estos límites están diseñados para proporcionar una protección razonable contra interferencias perjudiciales en instalaciones residenciales. Este equipo genera, utiliza y puede irradiar energía de radiofrecuencia y, si no se instala y se utiliza de acuerdo con las instrucciones, puede causar interferencias perjudiciales en las comunicaciones por radio. Sin embargo, no se puede garantizar que dichas interferencias no se produzcan en instalaciones particulares. Si este equipo causa interferencias perjudiciales en la recepción de radio o televisión, que se comprueban apagando y encendiendo el equipo, se recomienda al usuario que intente corregirla mediante una o varias de las siguientes medidas:

- Reoriente o recolocque el equipo y/o la antena receptora.
- Aumente la separación entre el equipo y el receptor.
- Conecte el equipo a una toma de electricidad situada en un circuito eléctrico diferente al del receptor.
- Consulte al distribuidor o solicite ayuda a un técnico de radio/TV con experiencia.

PRECAUCIÓN

Cualquier cambio o modificación efectuada en este equipo que no haya sido expresamente aprobada por la parte responsable del cumplimiento de los requisitos exigidos podría invalidar el derecho del usuario a utilizar el equipo.



Modelo para Europa



Este producto cumple con las exigencias de las directivas europeas y con los reglamentos de la Comisión Europea.

Para consumidores europeos

Deshacerse de aparatos eléctricos, electrónicos, pilas/baterías y acumuladores

- a) Todos los aparatos eléctricos y electrónicos, y pilas/baterías y acumuladores gastados, deben ser eliminados separados del resto de basura común y únicamente en los "puntos limpios" o bajo los procedimientos especificados por el gobierno o autoridades municipales locales.
- b) Con la eliminación correcta de los equipos eléctricos y electrónicos, y de pilas/baterías y acumuladores gastados, estará ayudando a conservar recursos muy valiosos y a evitar los posibles efectos negativos en la salud humana y en el medio ambiente.
- c) La eliminación incorrecta de los equipos eléctricos y electrónicos, y pilas/baterías y acumuladores, puede producir efectos muy dañinos en el medio ambiente y en la salud humana a causa de las sustancias peligrosas que pueden encontrarse en estos equipos.
- d) El símbolo de Eliminación de Aparatos Eléctricos y Electrónicos (WEEE en inglés), identificado por cubos de basura con ruedas tachados, indican que los equipos eléctricos y electrónicos, y las pilas/baterías y acumuladores, deben ser eliminados de forma totalmente independiente con respecto a la basura doméstica. Si una pila/batería o un acumulador contienen más cantidad de los valores especificados de plomo (Pb), mercurio (Hg), y/o cadmio (Cd) según está definido en la Directiva relativa a las pilas (2006/66/CE, 2013/56/UE), entonces los símbolos químicos correspondientes a estos elementos estarán indicados debajo del símbolo WEEE.
- e) Existen sistemas para la eliminación y recogida a disposición del usuario final. Si necesita más información sobre cómo deshacerse de aparatos eléctricos y electrónicos antiguos, así como de pilas/baterías y acumuladores, póngase en contacto con su ayuntamiento, con la correspondiente empresa del servicio de recogida de residuos o con el establecimiento donde adquirió ese aparato.



ESOTERIC is a trademark of TEAC CORPORATION, registered in the U.S. and other countries.

Los nombres de otras compañías y de productos que aparecen en este documento son marcas comerciales o registradas de sus respectivos propietarios.

Gracias por adquirir este producto ESOTERIC.

Lea este manual atentamente para obtener el mejor rendimiento de este producto. Después de leerlo, guárdelo en un lugar seguro, junto con la tarjeta de la garantía, para futuras consultas.

INSTRUCCIONES IMPORTANTES DE SEGURIDAD	31
Antes de su utilización	34
Mantenimiento	35
Nombres y funciones de las partes	36
Conexión a través de ES-LINK Analog	38
Conexiones	39
Conexión de los altavoces	40
Funcionamiento básico	41
Notas sobre los circuitos de protección	42
Solución de problemas	42
Especificaciones	43
Dibujos con las dimensiones	44

Accesorios incluidos

Compruebe que todos los accesorios enumerados a continuación están incluidos en la caja. Por favor, póngase en contacto con el establecimiento donde adquirió este producto si falta cualquiera de estos accesorios o si alguno ha sufrido desperfectos durante el transporte.

- Cable de corriente × 1
- Soporte de sujeción para el cable de corriente × 1
- Tornillos del soporte de sujeción para el cable de corriente × 2
- Almohadillas de fieltro × 4
- Manual del usuario (este documento) × 1
- Tarjeta de garantía × 1

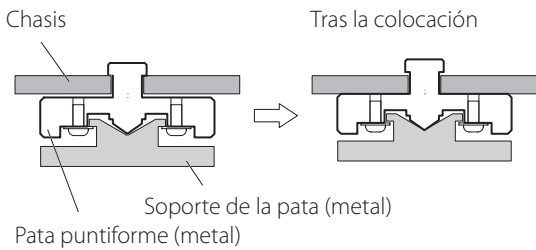
Precauciones de uso

- Esta unidad pesa bastante, por lo que deberá tener cuidado para evitar lesiones durante la instalación.
- Coloque la unidad en un lugar estable cerca del equipo de audio con el que vaya a utilizarla.
- No instale esta unidad donde pueda calentarse. Esto incluye lugares que estén expuestos a la luz solar directa o cercanos a un radiador, calefactor, estufa o cualquier otro aparato de calefacción. Tampoco coloque esta unidad encima de un amplificador u otro equipo que genere calor. Si lo hace, esta unidad podría decolorarse, deformarse o sufrir una avería.
- Evite lugares que estén sujetos a vibraciones o expuestos a excesivo polvo, frío o humedad.
- Esta unidad genera más calor que las etapas de potencia normales. Cuando la instale, hágalo de forma independiente y al menos a 20 cm de las paredes u otras barreras circundantes. Si la coloca en un rack, no solo siga las instrucciones anteriores, sino que utilice uno con aberturas de ventilación, por ejemplo, y tenga cuidado con la temperatura. Si no deja estos espacios libres, el calor puede acumularse en su interior y provocar fuego.
- No la instale mirando hacia arriba ni de lado.
- No coloque nada encima de esta unidad. No la coloque sobre ropa de cama o una alfombra o moqueta gruesa. Si lo hace, podría causar un sobrecalentamiento a la unidad o dañarla.
- El voltaje suministrado a la unidad deberá ser el mismo que está impreso en su parte posterior. Si tiene dudas al respecto, consulte a un electricista.
- No mueva la unidad durante su utilización.
- No abra la carcasa de la unidad porque podría causar daños en los circuitos o una descarga eléctrica. En caso de que se introduzca un objeto extraño en la unidad, contacte con su distribuidor.
- Cuando desenchufe el cable de corriente de la toma de electricidad, tire siempre directamente del conector. Nunca tire del cable.

Nota sobre las patas puntiformes

Esta unidad tiene unas patas puntiformes metálicas de alta precisión que están sujetas a la placa inferior.

Las patas puntiformes y sus soportes están sueltos, pero cuando se coloca la unidad sobre una superficie, son estas patas puntiformes las que soportan la unidad, dispersando de manera efectiva las vibraciones.

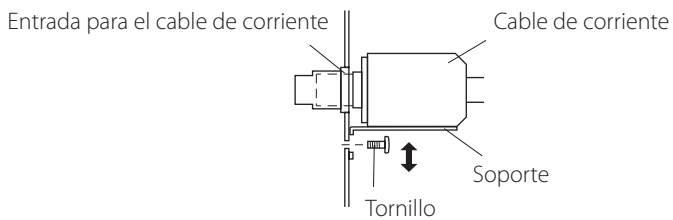


- Coloque las almohadillas de fieltro incluidas en la parte inferior de los soportes de las patas para evitar rayar la superficie sobre la que se sitúa la unidad.

Acerca del soporte de sujeción para el cable de corriente

Esta unidad incluye un soporte para sujetar cables de corriente pesados.

Alinéelo con el cable de corriente que se esté utilizando y fjelo apretando bien los tornillos.



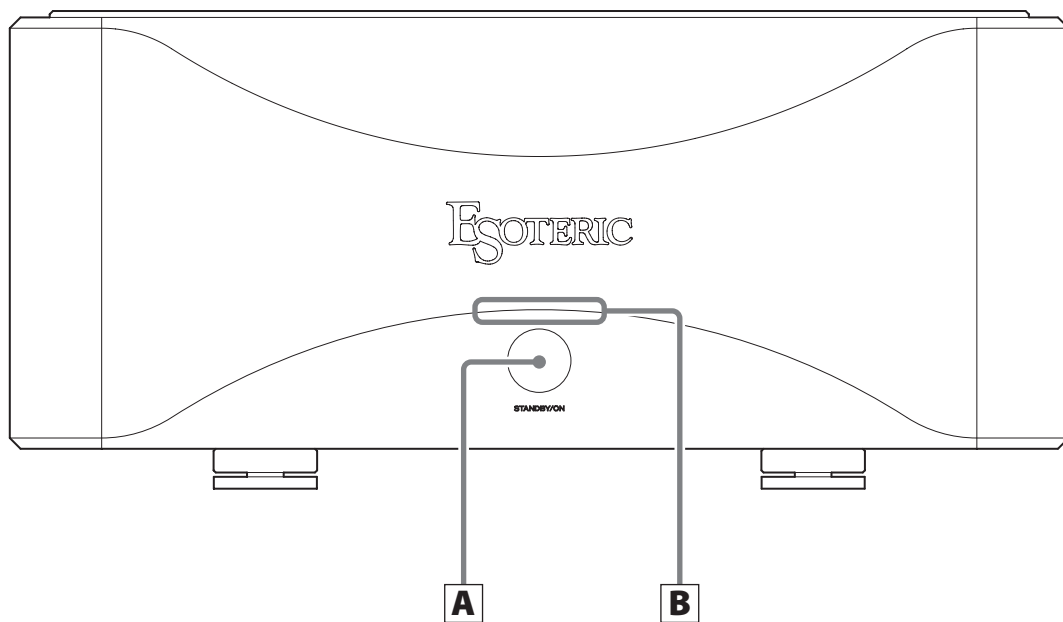
Utilice un paño suave y seco para limpiar la superficie de la unidad. Para manchas difíciles, use un paño húmedo que haya sido bien escurrido para eliminar el exceso de líquido.

- Nunca pulverice líquido directamente sobre esta unidad.
- No utilice gamuzas ni paños impregnados con productos químicos, ni disolvente u otras sustancias químicas, ya que pueden dañar la superficie de la unidad.
- Evite que materiales de goma o de plástico estén en contacto con la unidad durante largos períodos de tiempo, ya que pueden dañar la carcasa.

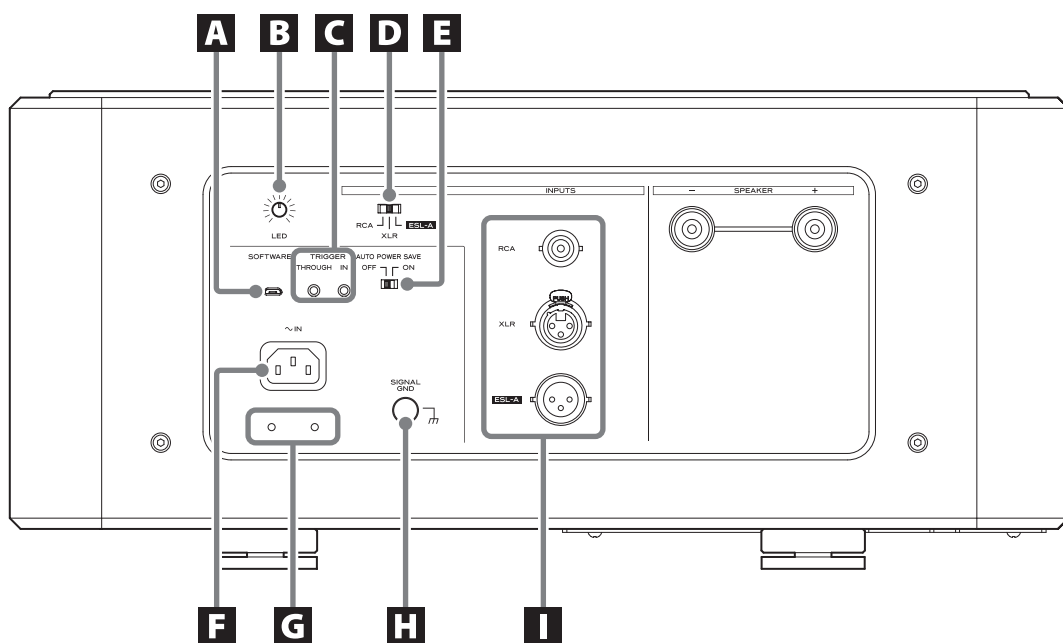
⚠ Por seguridad, desenchufe el cable de corriente de la toma de electricidad antes de proceder a la limpieza.

Nombres y funciones de las partes

Panel delantero



Panel posterior



A Botón STANDBY/ON

Púselo para encender la unidad o ponerla en modo de reposo (standby).

Después de encender la unidad, el indicador de alimentación parpadeará en azul y no se emitirá sonido durante algunos segundos. Espere hasta que el indicador deje de parpadear y se quede iluminado.

- Dado que esta unidad tiene un transformador de corriente y condensadores de gran tamaño, puede que el transformador de corriente haga ruido durante un breve tiempo después de encender la unidad. Este es un comportamiento normal, no un mal funcionamiento.

B Indicador de alimentación

Se ilumina en azul cuando la unidad está encendida.

A Puerto de mantenimiento SOFTWARE

Se utiliza para mantenimiento. No conecte nada a este puerto a menos que reciba instrucciones para hacerlo por parte de nuestro servicio técnico.

B Mando de ajuste de la intensidad del LED

Se utiliza para ajustar la intensidad de iluminación del indicador de alimentación.

C Terminales TRIGGER

Estos terminales se utilizan para controlar la alimentación desde una fuente externa.

No conecte nada a estos terminales cuando no se estén utilizando.

D Selector de entrada

Se utiliza para cambiar entre las entradas RCA, XLR y ESL-A.

⚠ No cambie este selector con la unidad encendida. Si lo hace, podría causar un ruido repentino a alto volumen capaz de dañar sus oídos o los altavoces conectados.

E Selector AUTO POWER SAVE

Utilícelo para activar y desactivar la función de ahorro de energía automático.

Cuando la función de ahorro de energía automático está activada, si no hay entrada de audio (silencio continuo) procedente de la fuente de entrada seleccionada durante 30 minutos, la unidad entrará automáticamente en modo de reposo (standby).

- Las fuentes de entrada que no están seleccionadas no influyen sobre la función de ahorro de energía automático.

F Entrada para el cable de corriente alterna (~IN)

Conecte en esta entrada el cable de corriente suministrado. Termine todas las conexiones antes de enchufar el cable de corriente a una toma de electricidad.

⚠ Utilice solamente un cable de corriente ESOTERIC original. El uso de otros cables de corriente puede provocar fuego o descargas eléctricas.

⚠ Desenchufe el cable de corriente de la toma de electricidad si no va a utilizar la unidad durante un largo periodo de tiempo.

G Orificios para los tornillos del soporte de sujeción para el cable de corriente

Fije en ellos el soporte de sujeción para el cable de corriente (página 35).

H Terminal de tierra SIGNAL GND

La utilización de cables con aislamiento (por ejemplo, aislados con PVC) de los que se pueden adquirir en establecimientos comerciales para crear conexiones de tierra con los altavoces, el preamplificador u otros equipos podría mejorar la calidad del sonido.

- Este terminal no es una toma de tierra de seguridad eléctrica.

I Terminales de entrada analógicos

Conéctelos a los terminales de salida analógicos de preamplificadores.

Ajuste el selector de entrada para elegir el terminal que desee utilizar.

Utilice cables de los disponibles en establecimientos comerciales para las conexiones.

RCA: cable RCA

XLR, ESL-A: cables XLR balanceados

Inserte el conector XLR balanceado hasta que la palanca del terminal quede bloqueada. Presione esta palanca y tire del conector para desconectarlo.

- El terminal XLR está configurado con el pin 2 como "VIVO" (POSITIVO). Utilice un cable compatible.
- Inserte el conector completamente. No agrupe ni junte los cables de corriente con los cables de altavoces. Si lo hace, podría degradarse la calidad del sonido o causar ruido.

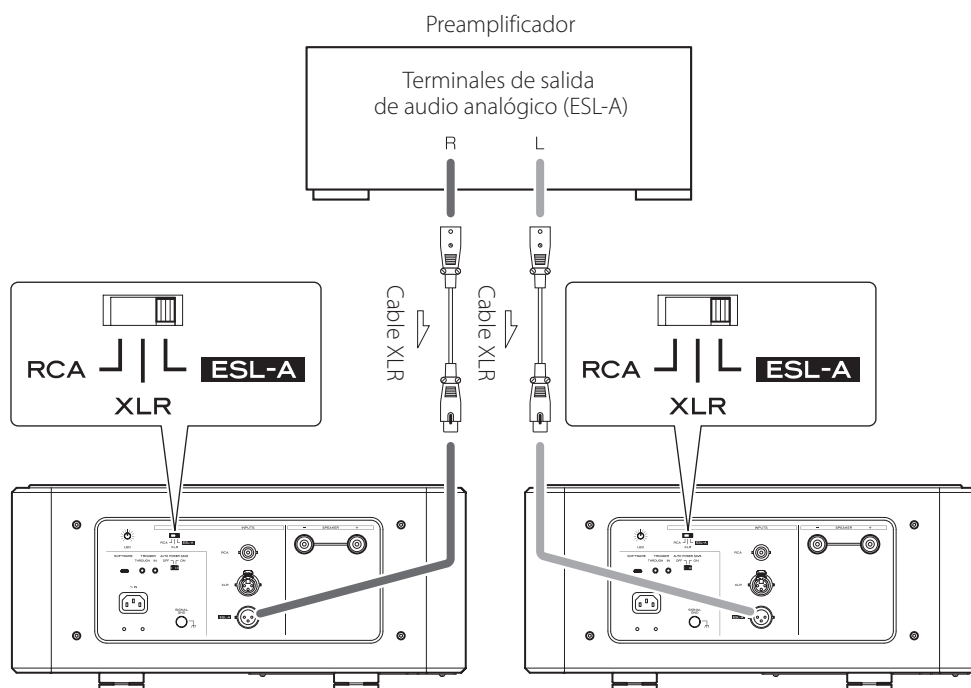
Conexión a través de ES-LINK Analog

Acerca de ES-LINK Analog

El método de transmisión de corriente utiliza las prestaciones de circuitos con búfer HCLD que tienen la capacidad de suministrar altos valores de corriente a gran velocidad. Esto suprime el impacto de la impedancia en los recorridos de las señales, lo que permite una transmisión pura y potente de las señales.

- Para la conexión se utilizan cables balanceados normales (con conectores XLR).
Sin embargo, estos terminales solo se pueden utilizar con dispositivos compatibles, ya que el formato de transmisión es exclusivo.

Conexión a un preamplificador a través de ES-LINK Analog



Utilice un cable XLR para conectar el terminal de salida de audio analógico (ESL-A) de un preamplificador al terminal de entrada de ES-LINK Analog (ESL-A) de esta unidad.

- Ajuste el selector de entrada de esta unidad en ESL-A.
- También son posibles conexiones normales XLR y RCA. Seleccione el tipo de conexión que proporcione la calidad de audio que prefiera.

ATENCIÓN

El terminal de entrada ESL-A de esta unidad es un terminal macho para evitar la conexión accidental al confundirlo con el terminal de entrada XLR.

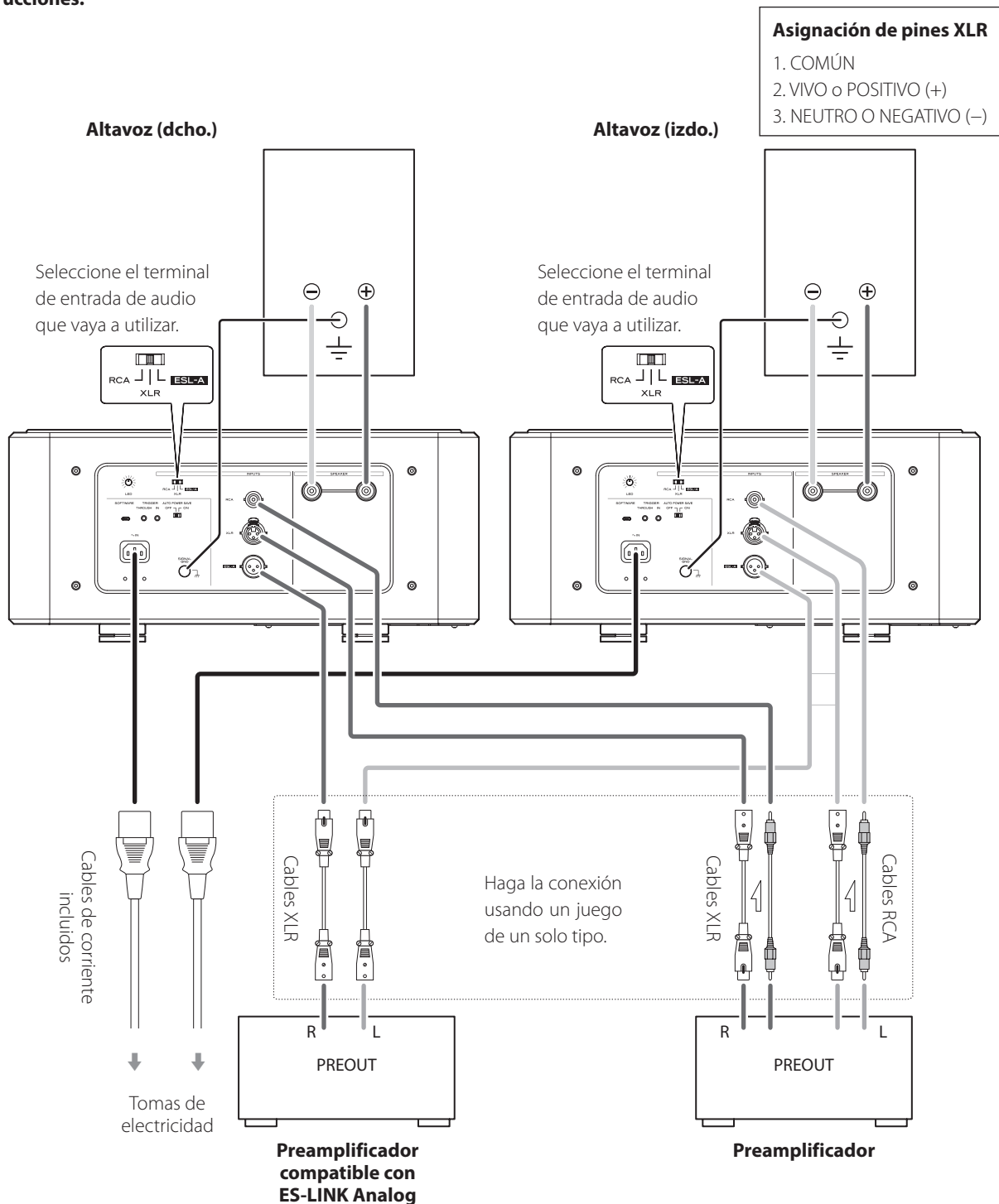
⚠ Precauciones al realizar las conexiones

Haga primero todas las demás conexiones antes de conectar los enchufes de los cables de corriente a las tomas de electricidad. Desconecte siempre el enchufe del cable de corriente de esta unidad antes de desconectar ninguna otra cosa.

Lea los manuales de instrucciones de todos los dispositivos que se vayan a conectar y siga sus instrucciones.

⚠ Precauciones al conectar los cables de altavoces

Conecte los cables de manera segura de modo que no se puedan soltar y que los hilos conductores o los conectores de sus extremos no puedan quedar expuestos y entrar en contacto con otras partes metálicas o con la unidad.



Conexión de los altavoces

Notas sobre los cables de altavoz

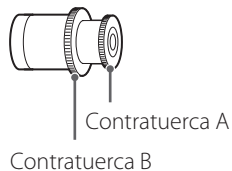
- Utilice cables de altavoz de los disponibles en establecimientos comerciales para conectar los altavoces.
- Utilice los cables de altavoz más cortos que sea posible. Cuanto más largo es el cable, mayor es el valor de resistencia y más se reduce el factor de amortiguamiento. Además, la longitud también aumenta la inductancia y la capacitancia, degradando la calidad de sonido de las frecuencias agudas.
- Use cables de igual longitud para los altavoces izquierdo y derecho.

Cómo conectar los cables de altavoz

Utilice cables de los que se pueden adquirir en establecimientos comerciales para conectar el terminal + de la unidad al terminal + del altavoz y el terminal – de la unidad al terminal – del altavoz.

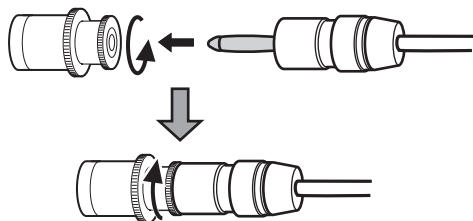
- Utilice altavoces con al menos 4 Ω de impedancia.
- Si el extremo expuesto (con los hilos conductores al aire) de un cable de altavoz entra en contacto con otro cable o terminal, se puede producir un cortocircuito. Nunca permita que un cable de altavoz entre en cortocircuito.
- No conecte más de un amplificador a un altavoz.
- No agrupe los cables de los altavoces con los cables de corriente. Si lo hace, puede originarse ruido.

⚠ El enchufe del cable de corriente siempre deberá estar desconectado al conectar los cables de altavoz.



Cuando se utilicen clavijas de tipo banana

Afloje la contratuerca A e inserte la clavija en la abertura del extremo del terminal. Después apriete la contratuerca A.



- Mantenga la contratuerca B apretada cuando use este sistema.
- Lea atentamente las instrucciones de las clavijas de tipo banana que esté utilizando.

Advertencia sobre el modelo para Europa

De acuerdo con las regulaciones de seguridad europeas, no está permitido la conexión de clavijas de tipo banana en los modelos para Europa.

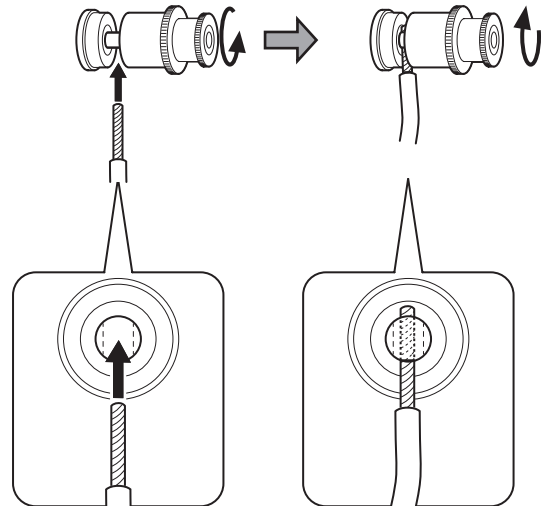
Los orificios en los que podrían introducirse las clavijas de tipo banana están cubiertos con tapas negras. Conecte los altavoces con cables pelados o con conectores de horquilla.

Si una tapa negra llegara a desprenderse de su terminal, vuelva a colocarla en su posición original.

Cuando se utilicen cables pelados

Afloje la contratuerca B e inserte los hilos del cable en el orificio. Después apriete la contratuerca B.

- El orificio para la inserción de los hilos del cable está abierto verticalmente.

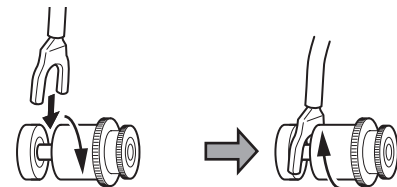


Secciones transversales

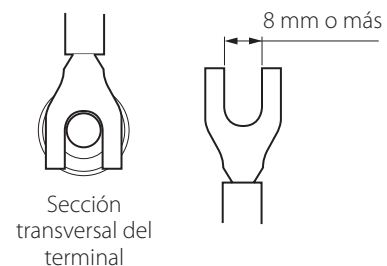
- El diámetro máximo de cable que se puede insertar es de 4 mm.

Cuando se utilicen conectores de horquilla

Afloje la contratuerca B e inserte el conector de horquilla. Después apriete la contratuerca B.



- Utilice un conector de horquilla con un diámetro interior de al menos 8 mm.

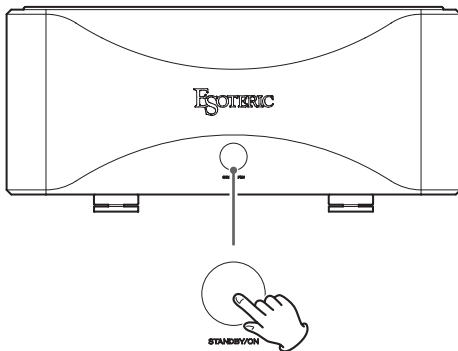


Funcionamiento básico

Con el fin de proteger los altavoces, siga los pasos indicados a continuación al encender y apagar el sistema al que esté conectada esta unidad.

Encendido

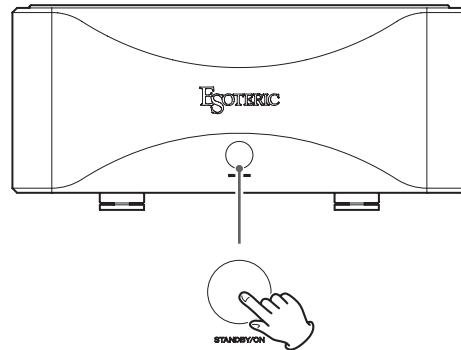
- 1 Encienda el dispositivo fuente de audio.**
- 2 Encienda la alimentación del preamplificador y ponga su volumen al mínimo.**
- 3 Pulse el botón STANDBY/ON para encender esta unidad.**



Después de encender la unidad, el indicador de alimentación parpadeará en azul y no se emitirá sonido durante algunos segundos. Espere hasta que el indicador de alimentación deje de parpadear y se quede iluminado antes de ajustar el volumen y realizar otras operaciones.

Apagado

- 1 Si algún dispositivo fuente de audio está reproduciendo, detenga la reproducción.**
- 2 Ponga el volumen del preamplificador al mínimo.**
- 3 Ponga esta unidad en reposo (standby).**



- 4 Apague el preamplificador.**
- 5 Apague el dispositivo fuente de audio.**

- Para garantizar la seguridad, desconecte siempre el enchufe del cable de corriente de la toma de electricidad cuando limpie la unidad, cuando viaje o si no va a utilizar la unidad durante un largo periodo de tiempo.

Esta unidad tiene integrados un circuito de protección contra sobrecarga, un circuito de protección contra sobrecalentamiento y un circuito de protección contra voltaje de CC (corriente continua).

Cuando el indicador de alimentación parpadea repetidamente en azul o rojo con un patrón irregular como se describe a continuación, es que se ha activado un circuito de protección:

- Si el indicador de alimentación se ilumina alternativamente en rojo de manera momentánea seguido de un breve parpadeo en rojo, es posible que se haya producido un cortocircuito en los cables de los altavoces +/- . En ese caso, desconecte el cable de corriente y compruebe las conexiones de los altavoces.
- Si el indicador de alimentación se ilumina alternativamente en rojo (o azul) de manera momentánea seguido de 3 parpadeos cortos en rojo (o azul), la temperatura interna está alta. Ponga la unidad en reposo (standby) y espere un rato a que la temperatura disminuya. También puede cambiar las condiciones de instalación para mejorar la ventilación.
- Si el indicador de alimentación se ilumina alternativamente en rojo de manera momentánea seguido de 4 o 5 parpadeos breves en rojo, puede que algún circuito interno no esté funcionando correctamente. En ese caso, desconecte el cable de corriente y póngase en contacto con el distribuidor donde adquirió la unidad.

Si el indicador continúa parpadeando incluso después de haber eliminado las posibles causas, póngase en contacto con el establecimiento donde adquirió la unidad.

Si tiene un problema con este producto, por favor dedique un momento a revisar la información que le proporcionamos a continuación antes de solicitar servicio técnico.

Si aun así este producto no funciona correctamente, póngase en contacto con el distribuidor donde lo compró.

La unidad no se enciende.

- ➔ Enchufe el cable de corriente a una toma de electricidad.

El modo de reposo (standby) se inicia automáticamente.

- ➔ La función de ahorro de energía automático está funcionando para poner la unidad en reposo. Pulse el botón STANDBY/ON de la unidad principal para encenderla.
- ➔ Cambie el ajuste de la función de ahorro de energía automático si es necesario (página 37).

No sale sonido.

- ➔ Encienda esta unidad.
- ➔ Confirme que el preamplificador está encendido. Antes de encender el preamplificador, ponga esta unidad en reposo (standby).
- ➔ Confirme que está saliendo señal del preamplificador.
- ➔ Compruebe las conexiones entre esta unidad, el preamplificador y el altavoz, así como entre el dispositivo fuente de audio y el preamplificador.
- ➔ Confirme que está seleccionada la entrada correcta en el preamplificador.
- ➔ Confirme que está seleccionada la entrada correcta en esta unidad.
- ➔ Suba el volumen del preamplificador.

El indicador de alimentación parpadea repetidamente en azul o rojo con un patrón irregular.

- ➔ Se ha activado un circuito de protección. Ponga la unidad en reposo (standby) y elimine la causa (página 42).

La posición del sonido estéreo es irregular.

- ➔ Compruebe que ninguno de los altavoces tiene el cable de conexión con los polos +/- invertidos.

Prestaciones de audio

Potencia de salida nominal	300 W (8 Ω) 600 W (4 Ω)
Respuesta de frecuencias	5 Hz-100 kHz (+0 dB, -3 dB, 8 Ω)
Relación señal/ruido	119 dB (IHF-A, XLR)
Distorsión armónica total	0,006 % (1 kHz, 8 Ω , 300 W)
Impedancia compatible	4 Ω -16 Ω
Ganancia	28,5 dB
Factor de amortiguamiento	500
Terminales de entrada	
ESL-A	1
RCA	1
XLR	1
Impedancia de entrada	
RCA	10 k Ω
XLR	100 k Ω

General

Alimentación

Modelo para Europa/Hong Kong	CA 230 V, 50 Hz
Modelo para EE. UU./Canadá	CA 120 V, 60 Hz

Consumo de corriente

Modelo para Europa/Hong Kong ..	400 W (55 W cuando no hay señal)
En reposo (standby)	0,4 W o menos
Modelo para EE. UU./Canadá ...	400 W (55 W cuando no hay señal)
En reposo (standby)	0,3 W o menos

Dimensiones externas (ancho \times alto \times profundo, salientes incluidos)
491 \times 221 \times 536 mm

Peso

Margen de temperatura de funcionamiento

Humedad de funcionamiento

Margen de temperatura de almacenamiento

Accesorios incluidos

Cable de corriente \times 1

Soporte de sujeción para el cable de corriente \times 1

Tornillos del soporte de sujeción para el cable de corriente \times 2

Almohadillas de fieltro \times 4

Manual del usuario (este documento) \times 1

Tarjeta de garantía \times 1

- Las especificaciones y el diseño están sujetos a cambios sin previo aviso.
- El peso y las dimensiones son aproximados.
- Las ilustraciones de este manual pueden diferir ligeramente de los modelos de producción.

Unidad principal

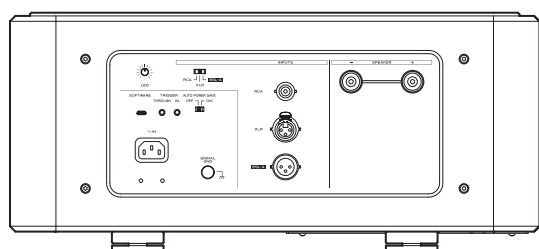
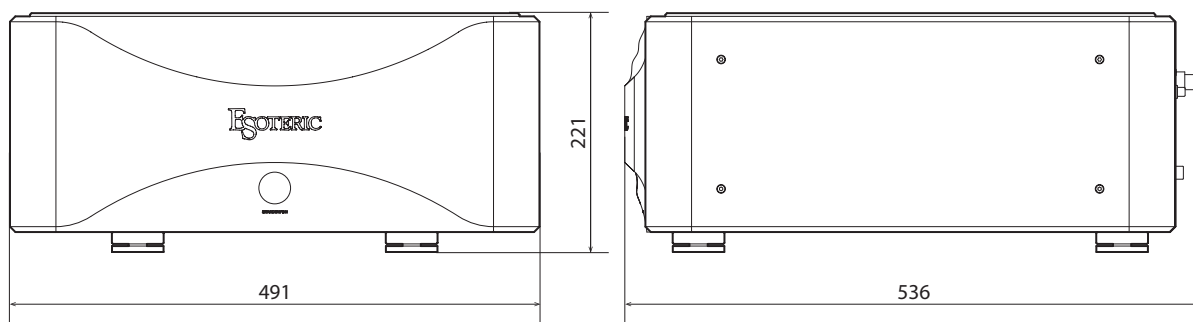
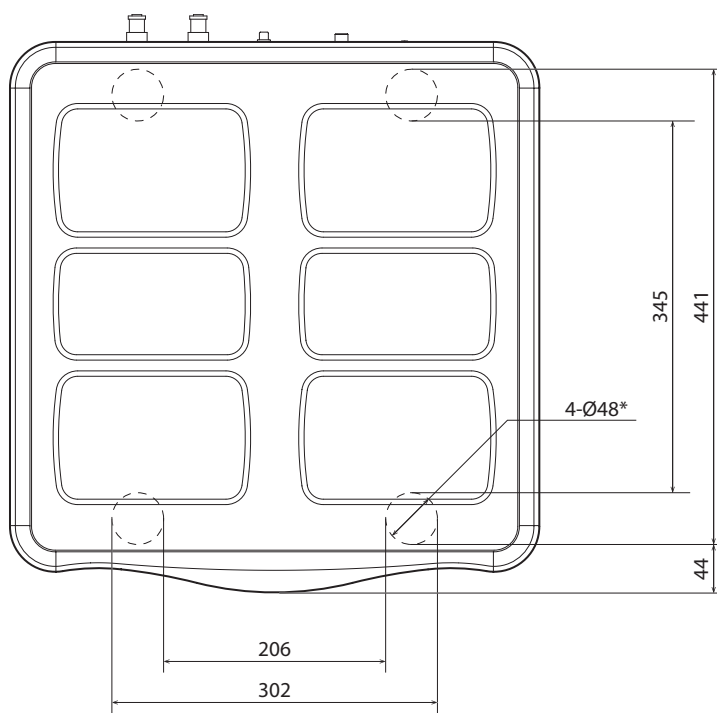


Diagrama de colocación de las patas



Dimensiones en milímetros (mm)
* Patas de 48 mm de diámetro x 4

ESOTERIC

ESOTERIC COMPANY

1-47 Ochiai, Tama-shi, Tokyo 206-8530, Japan

Phone: +81-42-356-9156

This product has a serial number located on the rear panel. Please write it here and retain this for your records.

Model name: Grandioso M1X

Serial number _____

0322-MA-3388A