



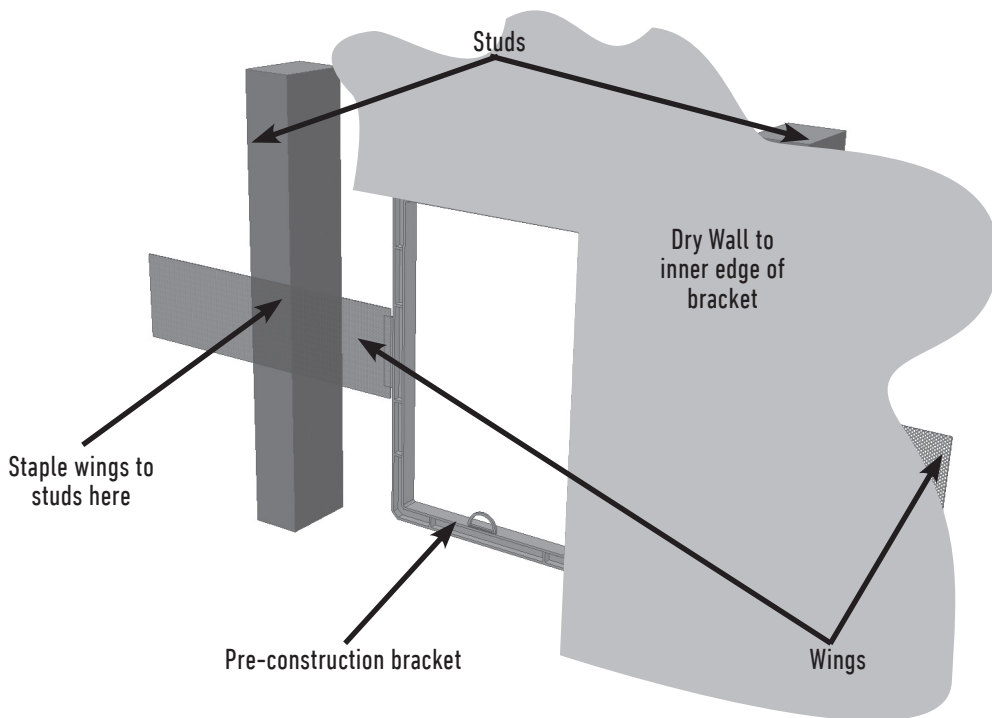
PRE CONSTRUCTION BRACKET

Pre-Construction Bracket Installation Instructions.

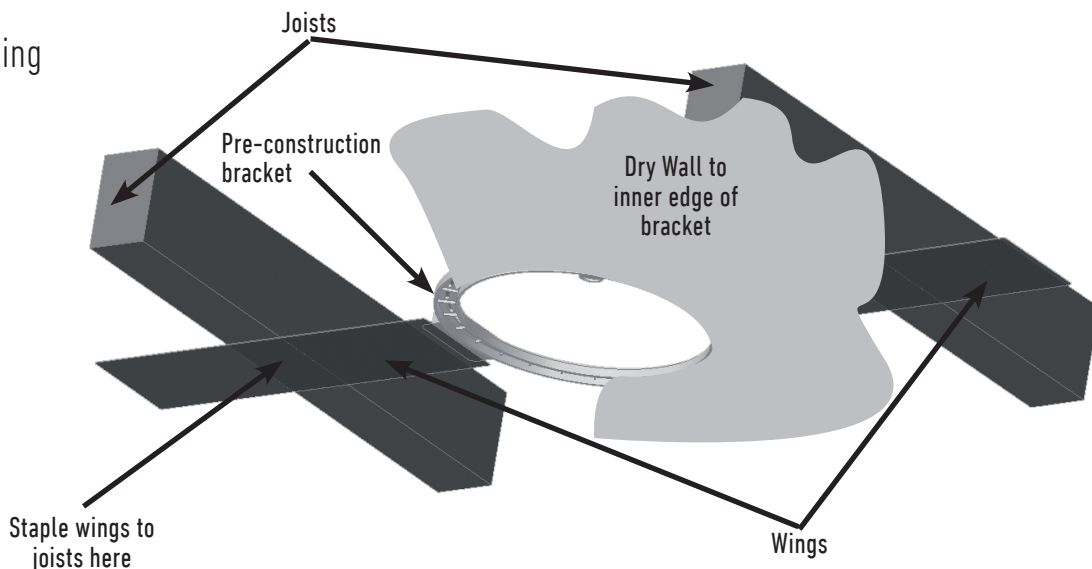
The following product is meant solely for the purpose described and the installation should be carried out by qualified personnel only.

The Monitor Audio pre-construction brackets are designed with the professional installers in mind. They will provide a quick and easy way of locating the desired position of the Monitor Audio custom install loudspeakers.

In Wall



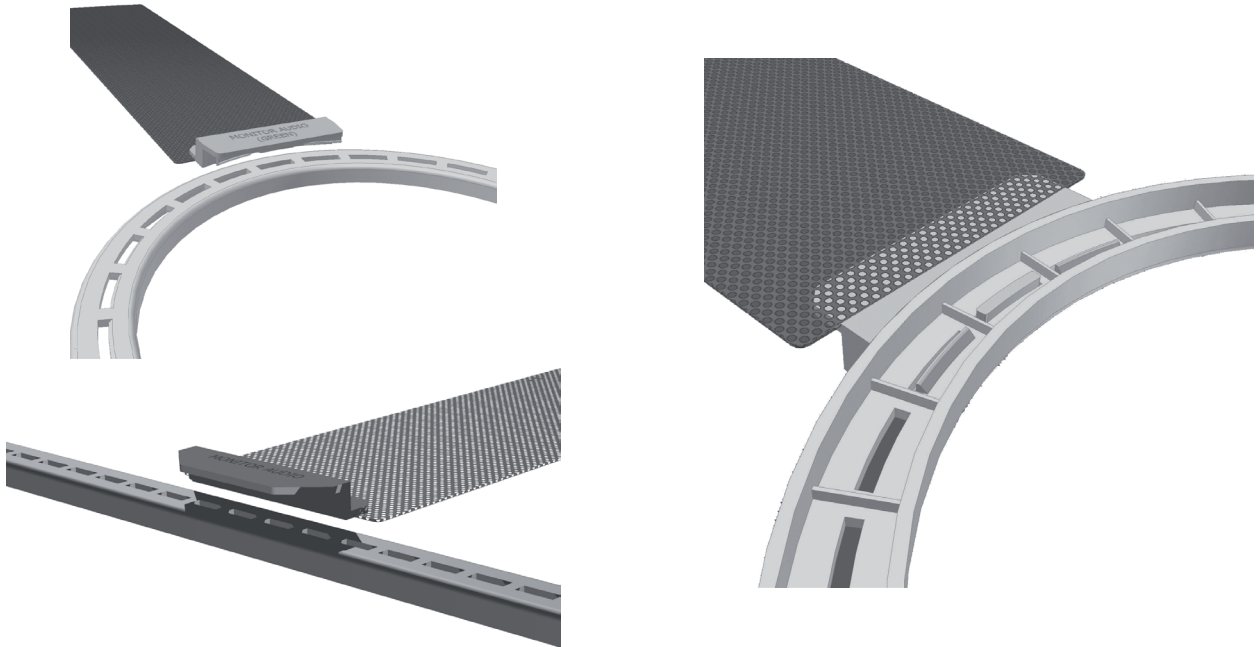
In Ceiling



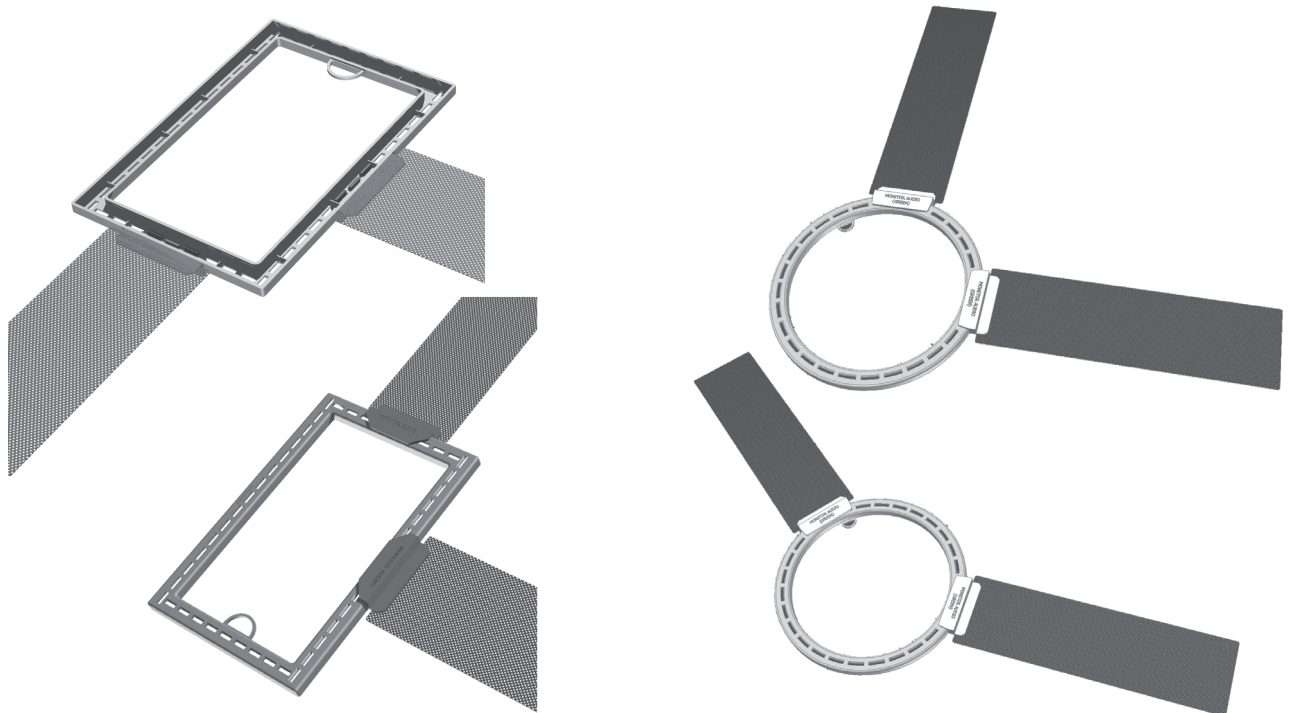
Pre-Construction Bracket Installations Steps:

1. Decide location of speaker (s).
2. Clip fixing wings into place in convenient location around the polymer frame to suit the joists.

NOTE: Ensure the clips of the wings are fixed securely. There should be no gap around the outside of the wing where it joins the bracket. If there is a gap, this is a sure sign one of the clips is not in correctly.



Alternative fixing arrangements are possible:



3. Staple fixing wings to joists/ studs. Ensure the Monitor Audio and colour text on the wings face away from you when fastening.
4. Cable tie/ zip tie the speaker cable to the loop provided inside the moulding. Snap the loop off when installing speaker.
5. Fix plaster board/ dry wall.
6. Cut hole using **INNER** edges as cutting reference. **DO NOT CUT TO THE OUTER EDGES OF THE BRACKET.**