



Owner`s Manual

CLASSIC LINE



No loss of fine detail

Contents

	page
Welcome.....	3
Scope of delivery	4
General Tips.....	5
Unpacking and Assembly of CLASSIC 5/8/12/15/22/25/32/35.....	6
Unpacking and Assembly of CLASSIC 3 CLASSIC Compact 2.....	7
Connecting the Loudspeakers.....	8
Setting Up of CLASSIC 5/8/12/15/22/25/32/35.....	9
Positioning of CLASSIC 5/8/12/15/22/25/32/35.....	10
Setting Up of CLASSIC 3 CLASSIC Compact 2 Loudspeakers.....	11
Positioning of CLASSIC 3 CLASSIC Compact 2.....	11
Setting Up of CLASSIC Center 2 Loudspeaker.....	12
Technical Specifications.....	13



CLASSIC 12 in cherry

Welcome

REAL LOUDSPEAKER FOR REAL MUSIC LOVERS

Dear music lover,

We would like to thank you for putting your trust in our products and welcome you to the family of audiophile friends of AUDIO PHYSIC.

You have chosen a top-class product that has been developed and produced in Germany. We would like to congratulate you on this choice and wish you a lot of fun and enjoyment with your product.

In order to earn your trust, we only use the latest technical expertise and top-quality components when manufacturing our loudspeakers and we produce them in accordance with strict quality criteria. These criteria enable us to provide original owners with a 10 year warranty for our loudspeakers (2 years for the subwoofer electronics and 10 years for the drivers), starting on the date of purchase of the product by the original owner, which is far longer than the legally prescribed warranty periods.

In order to secure this additional service, please fill out the warranty card enclosed with your loudspeakers and send this with a copy of your proof of purchase to your national AUDIO PHYSIC distributor. He will send you written confirmation of your 10 year warranty shortly after receiving these documents.

Only after several electronic and acoustic test runs, which our quality assurance staff confirm by signing the enclosed certificate, are our loudspeakers allowed to leave the factory in secure packaging. These measures help to ensure that you can enjoy the full experience of the high-quality materials, production and sound of AUDIO PHYSIC loudspeakers in the comfort of your own home.

As a rule, your competent AUDIO PHYSIC dealer will deliver and install your loudspeakers. If you would rather install your product yourself, the following pages provide you with detailed tips and steps to follow in order to safely set up your loudspeakers. Have fun with your new CLASSIC LINE loudspeakers!



You have your word:

*We put our name on every model
in order to guarantee the tested quality
of our loudspeakers.*

Scope of delivery

CLASSIC 8/12/15/22/25/32/35

Your new loudspeakers are delivered in two separate boxes.

One box contains one loudspeaker and its accessories as per spreadsheet, as well as your „Welcome to the Audio Physic Family“ package containing this Owner’s Manual and the Final Inspection Certificate.

CLASSIC 3/5 | CLASSIC Compact 2 | CLASSIC Center 2

Your new loudspeaker/s are delivered in one box.

The box contains the loudspeaker and its accessories as per spreadsheet, as well as your „Welcome to the Audio Physic Family“ package containing this Owner’s Manual and the Final Inspection Certificate.

Accessories

	Spike M8 x 40	Locknut	Glass front mounted	Grill black fabric
CLASSIC 3				x
CLASSIC 5/8	x	x		x
CLASSIC 12/15	x	x	x	
CLASSIC 22/25	x	x	x	
CLASSIC 32/35	x	x	x	
CLASSIC Compact 2			x	
CLASSIC Center 2			x	

If you want to increase the sound quality even more in terms of precision and bass response, try out our high-quality VC feet (for example VCF II M8 in the image on the right) on your loudspeakers. The “Vibration Control” feet are not only an alternative to spikes for high-quality flooring, but also reduce the transmission of vibrations between the loudspeakers and the floor. The result is an audible improvement in the level of detail and realistic sound reproduction.



General Tips

Depending on the size and weight of your loudspeakers, it is a good idea for two people to unpack them. The ideal way to do so in the case of floor-standing loudspeakers is to stand the boxes upright so that the top of the loudspeaker is resting on the floor (the boxes are marked accordingly) and you can easily attach the spikes. The spikes for both loudspeakers can be found in your "Welcome to the Audio Physic Family" package.

The CLASSIC 3, CLASSIC Compact 2 and CLASSIC Center 2 should ideally be removed from their boxes when the boxes are lying on the ground. Please follow the instructions in the chapter "Unpacking and Assembly" to ensure the safe and correct installation of your loudspeakers. The loudspeakers should reach a temperature that is approximately equivalent to room temperature before you connect them to the HiFi system and/or operate them. This instruction predominately refers to the winter months in case the loudspeakers were previously stored in a cold room.

Maintenance

Our loudspeakers are coated in high-quality veneers or high-gloss lacquers. Some parts of the cabinet may have a glass surface depending on the loudspeaker design in question. You should avoid using chemical cleaning agents because these may attack the loudspeaker surfaces and make them go matt. As a rule, a fine, soft and damp cloth is all that you need to clean the surfaces. If a cleaning agent is required, use this to dampen the cloth and do not directly apply it to the surface. It is best if you test the suitability of the cleaning agent on a less visible part of the cabinet. The drivers do not normally need to be cleaned. Dust particles fall off quickly when the loudspeakers are operated. You can, however, use a soft brush to lightly brush over the surfaces of the drivers. When doing so, make sure you do not put any pressure on it. Please never use any cleaning agents on the drivers.

Do not expose the loudspeakers to direct sunlight. Anodised surfaces are sensitive to acids and alkalis and to ultraviolet light and may fade.

The drivers in this range of AUDIO PHYSIC loudspeakers use a unique mounting technique. Rather than directly mounting the drivers onto the cabinet of the loudspeaker, the drill holes of the loudspeakers contain special neoprene plugs. These neoprene plugs tighten in the mounting hole when the screws are fitted, creating a permanently elastic connection between the driver and the cabinet that reduces resonance. You do not need to tighten these screws. Re-tightening the screws may damage the plugs and have a negative effect on the sound.

Burning In

The loudspeakers first reach their full sound potential after a specific burn-in period. We burn in the drivers at our factory prior to assembly, meaning that they normally only need a burn-in period of a few hours at a normal room volume and with music that has a range of frequencies that is as wide as possible, for example orchestral pieces. Recordings containing 'white or pink noise' such as those available on many so-called Test CDs are also ideal - however, for safety reasons, these pieces should never be played at high volumes.

Stray Magnetic Fields

The magnetic field created by the individual driver magnets may to some extent have an effect outside of the loudspeaker. This stray magnetic field may interfere with other devices, particularly televisions and monitors with cathode ray tubes (not LCD or plasma televisions), for example by causing changes in colour in the picture. We recommend that you place your loudspeakers approximately half a metre away from such devices (and also from magnet tapes, video cassettes, credit cards with magnetic stripes, etc.).

Transportation

Where possible, please retain the loudspeaker packaging. You can then securely transport your loudspeakers if you move house. If you have CLASSIC LINE loudspeakers CLASSIC 15, CLASSIC 25 or CLASSIC 35 in our "Glass High Gloss" design, please pack them securely and only transport them in an upright position on a pallet in order to avoid damages.

Unpacking and Assembly of CLASSIC 5/8/12/15/22/25/32/35

1. Place the boxes on the floor, making sure that the product labels are facing up, and carefully open the packaging on the long side where it has been taped up, preferably using a pocket knife or kitchen knife (similar to illustrations).



Correct: In order to correctly unpack the loudspeaker, the top of the loudspeaker should be facing down. This means that you will easily be able to hold on to the bottom of the loudspeakers when carefully pulling them out of the box and also enables you to attach the spikes without difficulty.



False: If the top of the loudspeaker is facing up, you will have to turn the loudspeaker upside down once you have removed it from the box in order to attach the spikes.

2. Remove the “Welcome to the Audio Physic” package and the accessories.
3. Keep the box on the floor and carefully remove the loudspeaker together with its protective foam pads. It is ideal if two people carry out this step. Make sure that you **do not touch the drivers** when removing and handling the loudspeaker as this may cause irreparable damage to the drivers.
4. Now remove the top foam cover and carefully slide down the protective foil so that you can easily attach the spikes that come with the loudspeaker.
5. Tighten the lock nuts onto the spikes.
6. Now turn over the loudspeakers so that the loudspeakers are in stable contact with the floor. Two people should also carry out this step where possible.
Make sure that you do not hurt yourself on the tips of the spikes.

7. Place the loudspeakers in their intended positions and finely adjust the spikes so that loudspeakers do not wobble. If you do not place the loudspeakers in a secure and stable position and they therefore wobble, this will have a major effect on the sound. When boxes are standing level and upright, you have set them up perfectly. The enclosed spirit will help you to finely adjust the loudspeakers (they are level when the bubble remains the inner circle). Now use the lock nuts to again tighten the spikes. Roughly hand-tightening the nuts is sufficient.



the
the
level
in

8. From the factory, the models CLASSIC 12/15/22/25/32/35 are equipped with a solid glass front panel without fabric cover. A matching fabric panel is available, is then plugged in place of the glass front panel. For CLASSIC 5/8 the fabric cover is included in the accessories. Sonically, no loss of the use of fabric covers are to be feared.

Unpacking and Assembly of CLASSIC 3 | CLASSIC Compact 2 | CLASSIC Center 2

1. Lay the box down on the floor with the **product labels facing forward**. Carefully open the packaging on the long side where it has been taped up, preferably using a pocket knife or kitchen knife.
2. Remove the “Welcome to the Family“ package and the accessories.
3. Carefully remove the loudspeakers, together with their protective foam pads, from the box. Make sure that you **do not touch the drivers** when removing and handling the loudspeakers as this may cause irreparable damage to the drivers.
4. Now remove the foam covers and carefully slide down the protective foil.
5. Position the loudspeaker(s) in your listening room. The loudspeaker(s) should stand level and upright. The enclosed spirit level will help you to finely adjust your loudspeakers (which are level when the bubble remains in the inner circle).
6. From the factory are the models CLASSIC Compact 2 | CLASSIC Center 2 with a solid glass front panel without fabric covering. A matching fabric panel is available, is then plugged in place of the glass front panel. For CLASSIC 3, the fabric cover is included in the accessories. Sonically, no loss of the use of fabric covers are to be feared.

Connecting the Loudspeakers

Your new loudspeakers are fitted with particularly high-quality connectors from the “nextgen” range made by the specialist manufacturer WBT (see the image on the right). These connectors feature a unique mechanism (**the torque indicator**) that helps you to connect cables with spades as explained under point 2. The connectors of the CLASSIC LINE accept both spades and banana plugs. Loose cable strands oxidise easily and are not suitable for a permanently high-quality listening experience.

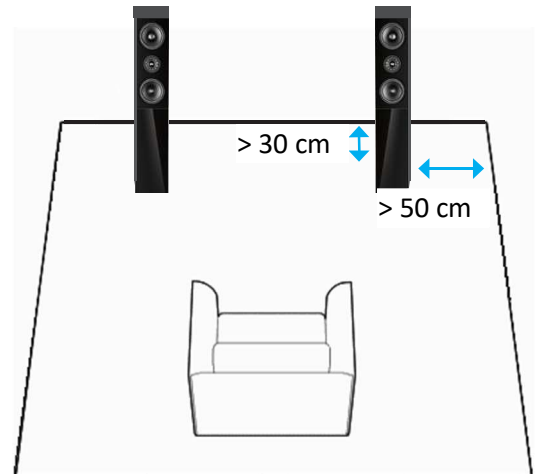
1. Please switch off all equipment in your Hifi system before you begin to connect your loudspeakers.
2. If you are using a loudspeaker cable with spade connectors, turn the screw clamps to the left until you can easily slide the spades into the openings at the side. Push the spades into these openings and **turn the screw clamps to the right until you hear a clicking noise** - this is the torque indicator. Now turn the clamps until they are hand-tight, which will normally be the case after a few more ‘clicks’. After this point, you can indeed tighten the clamps even more, but this will not improve the results. In the worst case scenario, further tightening the clamps may lead to damage to the surface structure of the spade connectors.
3. Make sure you have the right polarity. As a rule, loudspeaker cables are accordingly labelled, either by a permanent marking on one of the two conductors of the cable or by plus “+” and minus “-” markings on the cable ends.
4. Now connect the cable to your amplifier and make sure that you have the right polarity here.



Setting Up of CLASSIC 5/8/12/15/22/25/32/35

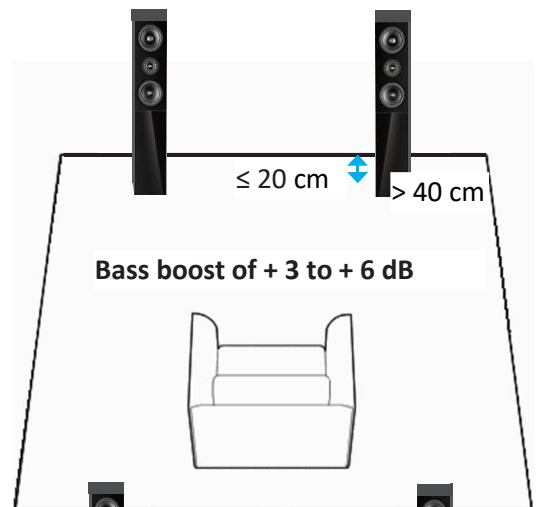
1. The ideal placement of your loudspeakers in your room involves positioning them in an isosceles triangle arrangement including your listening seat, creating equal spacing between each loudspeaker and the listening position.
2. The distance between the loudspeakers should be around 0.8 - 1.2 times as much as the distance between the loudspeakers and the listening position. The closer you sit to the loudspeakers, the more direct and dry your sound experience will be. As you move further away from the loudspeakers, the bass response will normally increase and the spatial imaging will seem more generous.
3. Your loudspeakers should ideally be placed around 30 centimetres or even further away from the surrounding walls, The larger the space between the loudspeakers and the back wall, the more precise the sound reproduction, particularly where bass performance is concerned. (The figures below show the placement of a CLASSIC 12 model as an example.)

Setup away from the wall: The loudspeakers are positioned at least 30 centimetres away from the surrounding walls. This provides a clearly defined bass response and a clean, crisp reproduction of midrange frequencies.



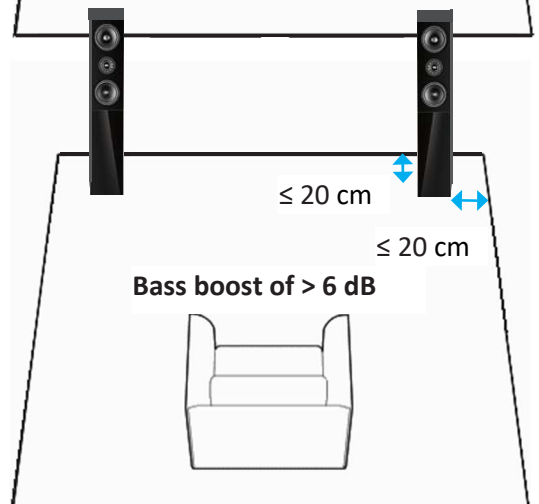
4. The closer the loudspeakers come to the back wall (and/or side wall), the more powerful the broadband reproduction of the low frequencies will be – resulting in stronger bass tones and full-bodied voice tones.

Setup close to the wall: Low frequencies are broadly reinforced by around +3 and +6 decibels when the loudspeakers are positioned close to the wall.



5. This effect can be made even more intense when the loudspeakers are placed in a corner. Low tones become around 6 decibels (or more) louder. Use software with which you are familiar to try out different placements and you will soon find the position that best suits your own personal tastes.

Setup in the corners of the room: Low tones become significantly louder and overlap into the midrange frequencies.

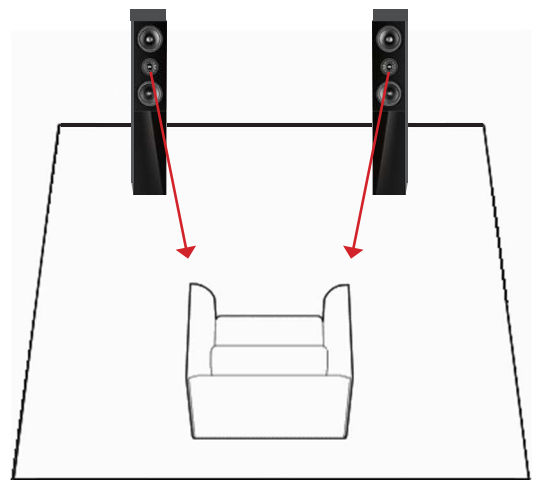


- Alongside the strength of the bass response, the distance from the side walls also particularly affects the localisation of sound events and therefore the precision of the spatial imaging. As the distance from the walls increases, the localisation will become more precise and the sound will be more balanced. When the loudspeakers are extremely close to the side walls, this will result in early reflections, leading to reduced spatial perception and tending towards nervous sound reproduction. Curtains or shelves or similar at the sides reduce this effect.
- If you want to position your CLASSIC LINE loudspeakers on the left and right-hand sides of a cupboard or a tall sideboard, please ensure that the fronts of the loudspeakers are level with the front of the cupboard or sideboard. If the loudspeakers are positioned further back than the furniture, this will have an effect on the sound, not only in the form of early reflections from the side walls of the cupboard as explained under point 6 but also, in some cases, by disrupting the unobstructed radiation of sound.

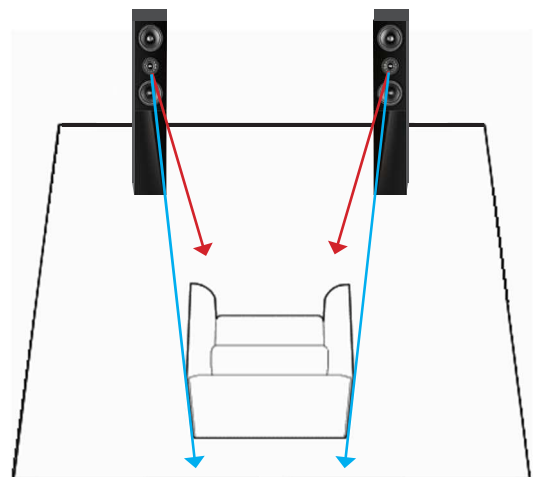
Positioning of CLASSIC 5/8/12/15/22/25/32/35

- Once the loudspeakers are positioned parallel to the side walls, turn them inwards until an imaginary line is pointing from the tweeter of each loudspeaker towards your preferred listening position. If you prefer to listen to music alone, the two imaginary lines coming from the loudspeakers should 'intersect' at your listening position. This will result in excellent localisation and spatial image. If you would rather listen to music in a group, turn the loudspeakers further inwards so that the imaginary lines cross in front of the listening position.

First step: Angle the loudspeakers so that an imaginary line is in place between the tweeters and your listening position.



- If you prefer a wider soundstage and more generous spatial imaging, position the loudspeakers at less of an angle so that the imaginary lines (in blue) cross just behind the listening position. Once a specific angle has been reached, the spatial image in the centre between the loudspeakers will begin to lose structure and precision. You can easily identify the ideal angle by using a mono recording. When the voice of the artist sounds clear again and comes directly from the middle between the loudspeakers, you have found the ideal position.



Second step: Experiment with the angle. When it comes to positioning your loudspeakers, your listening taste plays an important role. To find the ideal position, mono recordings are extremely useful, particularly those with a singing voice and few instruments.

Setting Up of CLASSIC 3 | CLASSIC Compact 2

We strongly recommend that you operate the loudspeakers on suitable stands, for example the AUDIO PHYSIC SHERPA V (see the image on the right). In terms of sound, the use of suitable loudspeaker feet or stands is normally far more superior than placing your speakers directly on a shelf. On the one hand, it ensures that the tweeters are located in an ideal position (at an ideal height) in relation to your listening position, which is particularly important for the spatial image and the acoustic neutrality. On the other hand, it helps to prevent interactions between the loudspeaker and the surface on which it is placed, for example a cupboard or shelf. If you want to operate your CLASSIC 3 | CLASSIC Compact 2 on a shelf, you should ensure that it is placed a good hand's width away from the back wall.

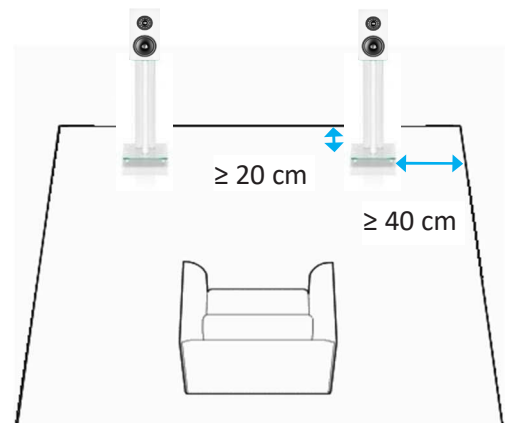


Your loudspeakers are in an ideal position when they are flush with the front of the shelf, which helps to prevent early reflections. If you choose to operate your loudspeakers on a shelf, sideboard or lowboard, we recommend that you use our VCF Component feet in order to mechanically decouple the loudspeakers from the surface. In response to sound energy, shelves and cupboard surfaces in particular tend to produce natural vibrations that can, in turn, be transmitted to the loudspeaker. These micro-vibrations have an adverse effect on the quality of the sound, especially in the midrange area, which may result in a diffuse and less precise sound image. The AUDIO PHYSIC Vibration Control feet stop the transmission of vibrations from the surface, thus resulting in an audible improvement in the level of detail and realistic sound reproduction. Another advantage of the VCF Component feet is that they reliably prevent scratches on cupboard or shelf surfaces.

1. The CLASSIC 3 | CLASSIC Compact 2 loudspeakers should be placed in a position in which the tweeters are at ear height in relation to your listening position.
2. The ideal placement of your loudspeakers in your room involves positioning them in an isosceles triangle arrangement including your listening seat, creating equal spacing between each loudspeaker and the listening position.
3. The distance between the loudspeakers should be around 0.8 - 1.2 times as much as the distance between the loudspeakers and the listening position. The closer you sit to the loudspeakers, the more direct and dry your sound experience will be. As you move further away from the loudspeakers, the sound image will more generous, although the focusing will decrease. The larger the space between the listening position and the loudspeakers, the more you will be aware of the acoustic effects of the room on the sound produced.
4. The CLASSIC 3 | CLASSIC Compact 2 loudspeakers are designed to be set up close to the wall. They should therefore be positioned approximately 20 to 30 centimetres away from the back wall and around 40 centimetres away from the side walls. It is also possible to set up your loudspeakers further away from the surrounding walls according to your personal listening tastes. This position will result in a leaner sound. Our LUNA subwoofer is an ideal addition to our CLASSIC 3 | CLASSIC Compact 2 loudspeakers and is able to significantly extend the depth of the bass reproduction.

Setup close to the wall:

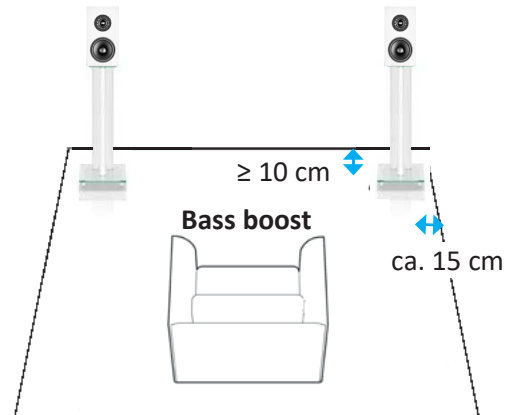
The CLASSIC Compact 2 loudspeakers are configured in such a way that they produce extremely clear and precise bass tones up to a distance of approximately 20 centimetres away from the walls. As they are moved further away from the wall, their sound will become leaner and their bass reproduction more restrained.



5. A broadband increase of lower frequencies occurs when the loudspeakers are placed into the corners of the room. The frequencies may then rise to more than six decibels. Play songs that feature a strong bass line and decide for yourself whether you like the sound when the speakers are positioned in a corner. If the bass tones appear boomy and the voices sound muddy, move the loudspeakers away from the wall and pull them a few centimetres into the room until they produce a clear and precise bass and full-bodied voices.

Setup in the corners of the room:

Low tones become significantly louder.

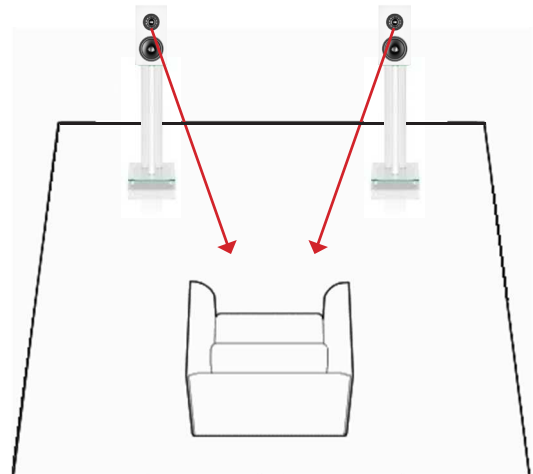


Positioning of CLASSIC 3 | CLASSIC Compact 2

1. Once your loudspeakers are positioned parallel to the side walls, turn them inwards until an imaginary line is pointing from the tweeter of each loudspeaker towards your preferred listening position. If you prefer to listen to music alone, these two imaginary lines coming from the loudspeakers should ‘intersect’ at your listening position. This will result in excellent localisation and spatial imaging.

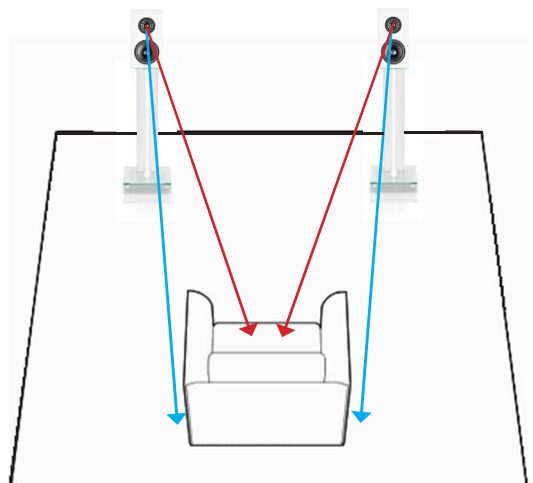
First step:

Angle the loudspeakers so that an imaginary line is in place between the tweeters and your listening position.



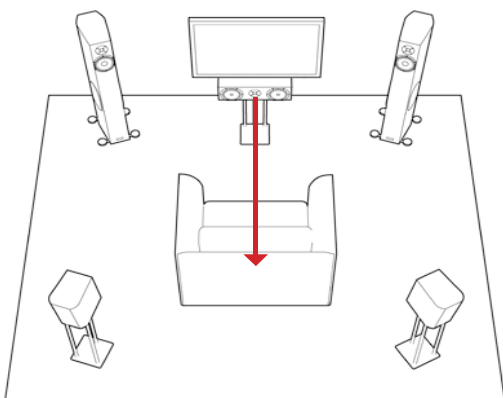
2. If you prefer a wider soundstage and more generous spatial imaging, position the loudspeakers at just a slight angle (imaginary lines in blue in the figure below). Once a specific angle has been reached, the spatial image will begin to lose its structure. You can easily identify the ideal angle by using a mono recording. When the voice of the artist sounds clear again and comes directly from the middle between the loudspeakers, you have found the ideal position.

Second step: *Experiment with the angle. When it comes to positioning your loudspeakers, your listening taste plays an important role. To find the ideal position, mono recordings are extremely useful, particularly those with a singing voice and few instruments.*



Setting Up of CLASSIC Center 2

1. The back of the loudspeaker should be a good hand's width away from the back wall so that you do not bend the connected cables. Placing the loudspeaker even closer to a wall may also be disadvantageous in terms of sound.
2. As a center speaker, the CLASSIC Center should be positioned as centrally as possible between the main loudspeakers. It should definitely be placed directly under your flatscreen television or screen. For an optimal and homogenous sound reproduction, please programme the distances between the individual loudspeakers and the listening position as exactly as possible in the setup menu of your surround receiver. This is the only way of achieving sound reproduction with precise phases.



Our Tip for Even More Precise Details

If you want to increase the sound quality of your CLASSIC Compact or your CLASSIC Center even more in terms of precision and bass response, try out our high-quality VC feet (for example VCF II Component in the image on the right) on your loudspeakers.

The "Vibration Control" feet are ideal for sensitive flooring and also reduce the transmission of vibrations between the loudspeaker and the surface on which it is placed. This results in an audible improvement to the level of detail and realistic sound reproduction. For more information and advice, please contact your dealer.

Sound Advice:

If you want to feel the impact of deepest frequencies, we recommend our subwoofer LUNA for your CLASSIC Loudspeakers.



Technical Specifications

	CLASSIC 3	CLASSIC 5	CLASSIC 8	CLASSIC 12/15	Classic 22/25	Classic 32/35	Classic Center 2	Classic Compact 2
Height	13.8"	38"	41.5"	39.6"	41.5"		6.7"	12.5"
Width	6.7"	6.7"	6.7"	6.7"	6.7"		18"	6.7"
Depth	11.2"	9.1"	11.4"	9.5"	11.4"		9.5"	9.5"
Required Space: Width x Depth	6.7" x 11.2"	8.3" x 11.8"	8.3" x 13.8"	8.3" x 11.8"	8.3" x 13.8"		18" x 9.5"	6.7" x 9.5"
Weight	~7 Kg	~13 Kg	~23 Kg	~15 Kg	~24 kg		~11 kg	~8 kg
Recomm. amplifier power	20-120 watts	20-120 watts	25-150 watts	20-120 watts	25 - 150 watts		20 - 100 watts	20 - 100 watts
Impedance	4 Ohm	4 Ohm	4 Ohm	4 Ohm	4 Ohm		4 Ohm	8 Ohm
Frequency range	45 Hz – 30 KHz	42 Hz – 30 KHz	34 Hz – 30 KHz	38 Hz – 30 KHz	34 Hz - 30 kHz		44 Hz - 30 kHz	50 Hz - 30 kHz
Sensitivity	89 dB	89 dB	89 dB	89 dB	89 dB		89 dB	86 dB
Loudspeake r systems								
Woofe r	-	-	1x 6.7"	1x 5.9"	1 x 9,6"		1 x 5.9"	–
Midwoofer	1x 6.7"	1x 6.7"	1x 6.7"	1x 5.9"	–		–	1 x 5.9"
Midrange	-	-	-	-	1 x 5.9"		1 x 5.9"	–
Tweeter	1x 8/9" / SD	1x 8/9" / SD	1x 8/9" / SD	1x 8/9" / SD	1x 8/9" / SD		1x 8/9" / SD	1x 8/9" / SD

You can find more tips and tricks about setting up your loudspeakers in the technic area of our website at www.audiophysic.com



AUDIO PHYSIC GmbH
Almerfeldweg 38
59929 Brilon / Deutschland
Germany
Tel.+49(0)2961/96170,Fax+49(0)2961/51640
info@audiophysic.com
www.audiophysic.com

[audio physic]

No loss of fine detail