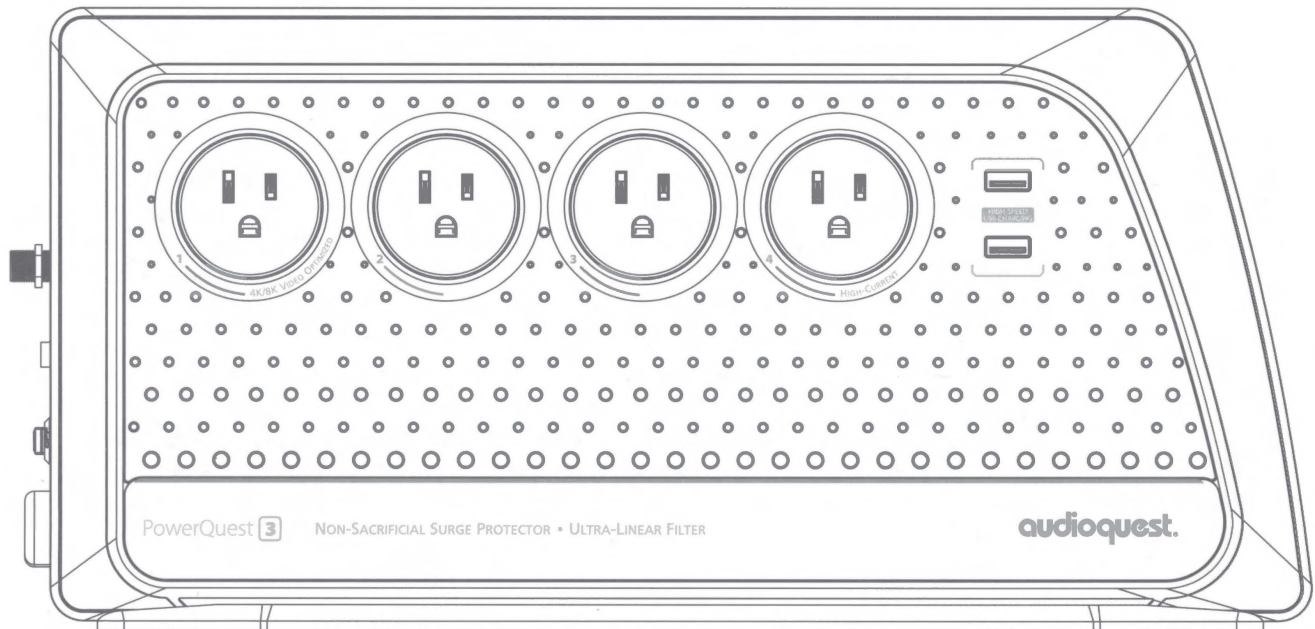


PowerQuest ³

USER MANUAL



Introduction

Thank you for purchasing AudioQuest's PowerQuest 3 Power Conditioner / Surge Protector. Our Ultra-Linear power filtration removes distortion, and does so far more effectively and consistently than typical power conditioners. This assures dramatically improved performance. Unlike traditional surge protectors, non-sacrificial surge suppression prevents high voltage and current from damaging your equipment and ensures your PQ-3 won't wear out or fail over time. See and hear everything as it was intended with PowerQuest.

Safety Information | Warnings

Before operating the PQ-3, please read and observe all safety and operating instructions. Retain these instructions for future reference.

- Do not disassemble or in any way modify the PQ-3. There are no user-serviceable parts inside.
- Keep away from moisture and avoid excessive humidity.
- Do not allow liquids or foreign objects to enter the unit.

audioquest.

Servicing | Return to AudioQuest

Servicing of the PQ-3 must be performed by AudioQuest, and is only required when:

- The PQ-3 has been exposed to rain, flooding, or extreme moisture.
- The PQ-3 does not appear to operate normally. (See "Trouble-Shooting Guide.")
- The PQ-3 has been dropped and sustained considerable physical damage.

If sending the PQ-3 to AudioQuest for servicing (or shipping it for any reason), please use bubble wrap or other professional packaging materials so that it may arrive safely. If you have to send the unit to us and have questions regarding the packaging requirements or best practices, please contact AudioQuest.


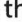
Power Source

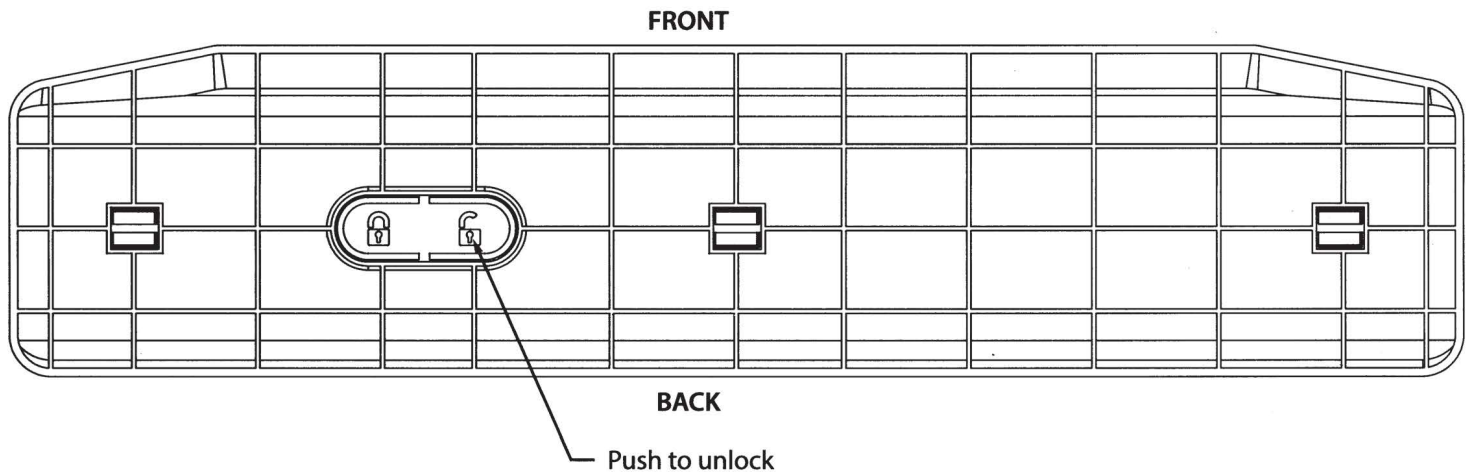
Ideally, the power source to which the PQ-3 is connected should be adequate for use at 120VAC single-phase nominal voltage, 15 amps (current capacity RMS). However, the PQ-3 will operate very well with a 120VAC 20-amp service outlet.

For proper operation, the PQ-3 requires a safety ground (supplied via the power utility AC wall outlet)

Installation

Wall and Detachable Base Mounting Options

1. There are mounting holes on the back of the surge protector for wall or baseboard mounting. To help with the installation, we've included a simple drill template. Position the template in the location where you would like to mount the PQ-3. With the template in place, use a pencil, pen, or marker to accurately mark the mounting holes before drilling. Once the holes have been marked, remove the template.
2. Install screws (not included) on wall or baseboard surface (leaving at least ¼" of the screw exposed).
3. Place and secure the PQ-3 on the mounted screws as you would hang a picture frame on a nail.
4. The PowerQuest PQ-3 features both a slim profile and a rugged floor-mounting base that makes it ideal for mounting behind cabinets. Installation is simple: Insert the rectangular tabs into the corresponding slots on the PQ-3's underside. Slide the base to move the tabs into place. (The base will only slide when correctly oriented.) With the tabs in place, press the lock button  to secure the base onto the unit. Power cords plug straight down to the top-layer AC outlets, making installation trouble-free. For shelf mounting, the floor-mounting base can be easily removed. Simply press the unlock symbol , slide the base to release the tabs from the slots, and remove the base from the unit. This allows easy access to two rows of outlets (8 total).



Specifications

Extreme Voltage Shutdown: 140VAC - Will activate the main power circuit relay to open within less than 0.25 seconds; automatically resets once the incoming power is within a safe range.

Common-Mode Noise Dissipation: In excess of 22dB reduction from 30kHz-100MHz.

Differential-Mode Noise Dissipation: In excess of 22dB reduction from 30kHz-1GHz.

Both filters linearized for dynamic (rising) line impedance with frequency from 0.05 Ohms (source) and 10 to 50 Ohm load, (system current dependent).

Input Current Maximum Capacity: 15 amps RMS

USB Charge Capacity: 4 x Ports – Total capacity 4.8 Amps

Signal Line Protection: Telco – Network – Coaxial (Cable/Satellite)

Weight: 5.51 lbs.

Dimensions: 15.47" L x 3.15" W x 7.40" H

Hook-up Guide

The PQ-3 outlets have been engineered to ensure optimum performance from your home entertainment system. For the very best results, please use the hook-up recommendations below when connecting your system to the PQ-3.

OUTLET 1/5

4K/8K Video Optimized Ultra-Linear Filter:

Best when connected to video screens, televisions, projectors, or universal players.

OUTLETS 2/3/6/7

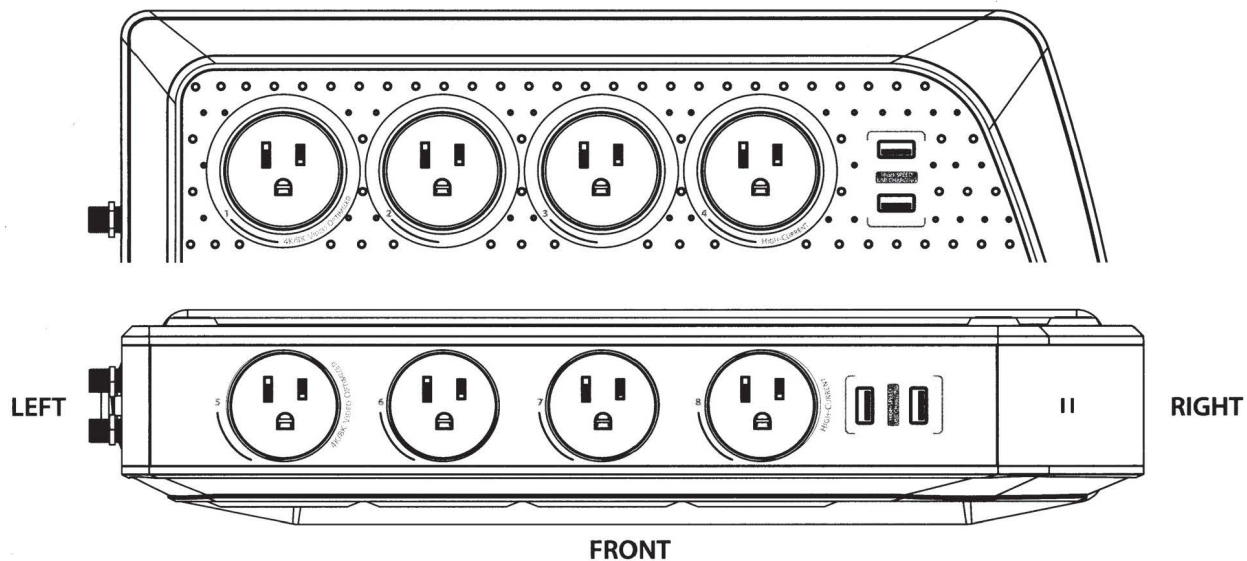
Ultra-Linear Filter:

Best when connected to audio/video source components, computers, modem, or router.

OUTLET 4/8

High-Current:

Best when connected to soundbar, power amplifier, audio/video receiver, or subwoofer.



Operation

Power Switch | Circuit Breaker and LED Power Indicator

Once the components are connected to the appropriate outlet banks, it is safe to energize the PQ-3. On the left side of the PQ-3's chassis, there is a black rocker switch. Firmly press the rocker switch so that its white dot is flush with the "On" label that is on the right portion of the side panel. Typically within less than a second, you should hear an audible "clack" sound from the relay within the unit. At the same time, the LED "Protection On" indicator will glow (opposite side panel), signifying that the unit is operational. (If this does not occur, see the "Trouble-Shooting Guide" in this manual.)

Overvoltage Protection Indicator

One portion of the PQ-3's non-sacrificial surge protection is dedicated to a fast-acting extreme voltage shutdown circuit. If more than 140VAC is present on the incoming AC line for more than a quarter of a second, the circuit will instantly open a high-current relay that will disengage the AC power from all of the PQ-3's AC outlets, activating the red LED "Overvoltage Protection" warning indicator. Once the event has passed, or the building wiring fault has been corrected, the circuit will automatically re-engage.

High-Speed USB Ports

Any of these four ports can be used for fast charging of USB A devices. The maximum current draw for the four charging ports is 4.8 amps total.

Signal Line Surge Protection

The 75-ohm coaxial connectors, RJ11 and RJ45 jacks, are to provide some additional protection in locations where lightning could strike either the home or office in which the PQ-3 is used. These are sacrificial surge devices.

Coaxial connectors are for series connection to either cable or satellite signal. RJ11 are for incoming telco, and RJ45 are for incoming network connection.

Trouble-Shooting Guide

There is no power to any of the AC outlets.

When the PowerQuest's side-panel LED "Protection On" indicator glows, the unit is operational. If this indicator is not lit, consider the following:

- Is the opposite side panel's rocker switch fully flush with the chassis and in the "On" position?
- Is the input AC cord properly plugged into the wall AC service outlet?
- Is the wall's AC outlet functioning properly?

Plug another component, product, or lamp into the wall outlet to verify that power is present and that the electrical panel's circuit breaker has not tripped. If there are only one or two AC outlets that have no output power, a component may be malfunctioning. Verify the AC output with a known simple device such as a lamp.

- Is the 15-amp circuit breaker tripped?

The left side-panel has one 15-amp circuit breaker with a reset button placed above the rocker switch. Simply push the button to reset the breaker. It is quite unlikely this would occur, but if a large appliance or a defective component were to experience a short circuit, this breaker device will activate, thus saving itself and the connected equipment.

If you discover that one or multiple products activate the circuit breaker, check the current consumption rating of that/those products. (Typically, this information can be found on the last page of the component's owner's manual; it should be listed as the power consumption at 120VAC.) The current specification will typically be in watts. Know that 15 amps at 120VAC equals 1800 watts. (You will want to be at least slightly under that number.)

There is no power to any of the AC outlets and the red front-panel Extreme Voltage indicator is lit.

This indicates that either there is more than 140VAC (+/-3V) present on the wall's AC service outlet, or the PQ-3's protection circuit is mis-calibrated. The latter is quite rare. (This circuit is adjustable, but it's tested and retested before it leaves the factory, and it's designed so that shipping will not affect it.) Use an AC voltage meter to determine if your outlet has too much voltage to be safe for operation, or if there is a wiring fault that is causing this to occur.

Once the power is brought into a safe range for operation (90VAC to 137 VAC), the PQ-3's protection circuit will automatically switch to operational mode and the "Protection On" indicator will light.

My home or grounds were hit by lightning. The PQ-3 seems to be functioning properly. Should it be sent in for inspection or service?

If you see or smell smoke coming from the unit, it needs service. Otherwise, if it functions after such an event (which is very likely), there is nothing that would be compromised or damaged. If it fails after such an event, it will fail totally. However, it's unlikely that this would occur. The circuit is designed to easily handle any voltage or current surge that could possibly make it past an electrical panel. The force required to damage the PQ-3 via a power surge would melt the panel and burn the building (in which case, the PowerQuest unit is the least of your worries).

For warranty information, visit www.audioquest.com/PowerQuest

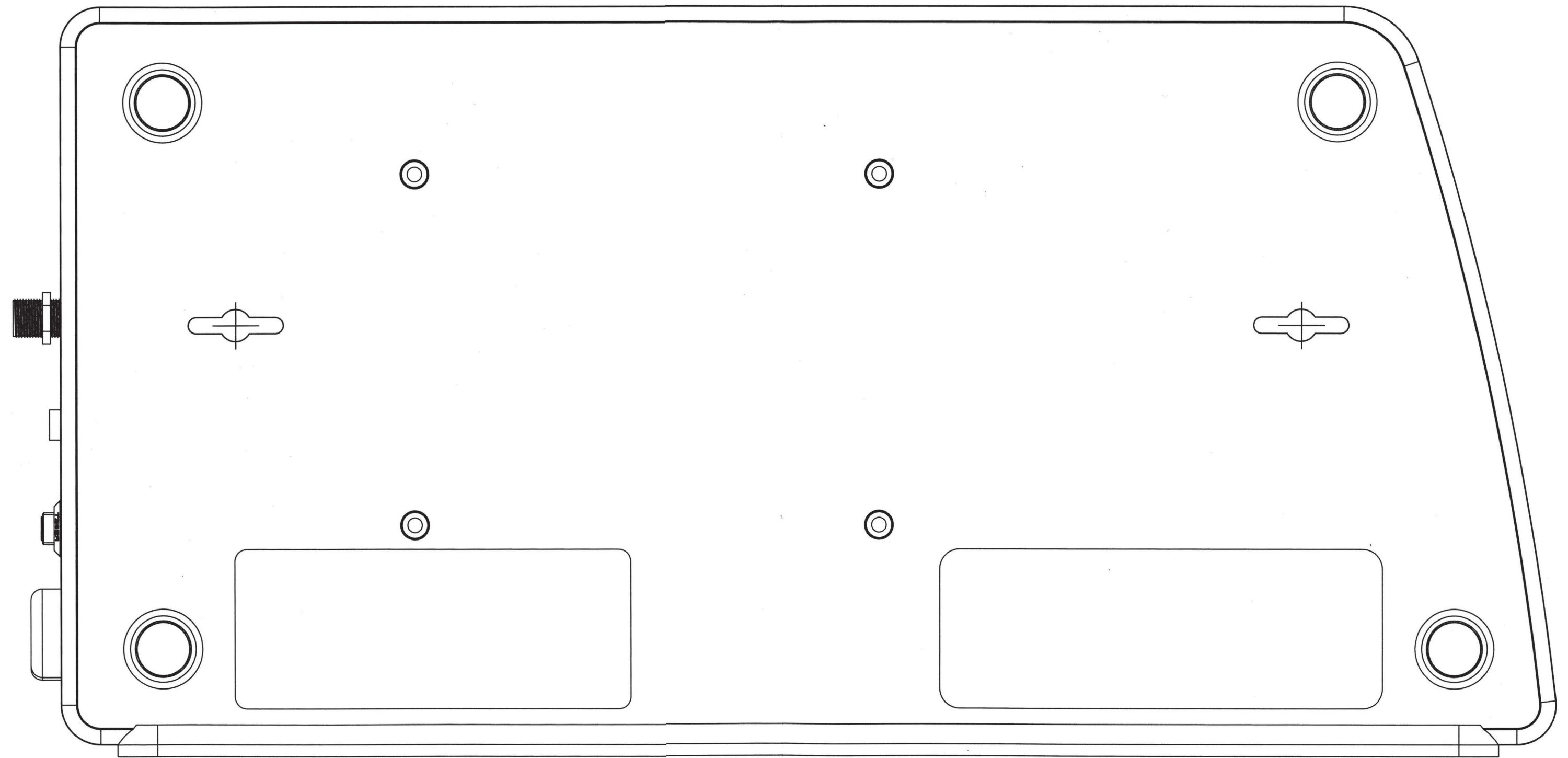


© Copyright 2018 AudioQuest

The information contained herein is subject to change without notice. This document contains proprietary information, which is protected by copyright. No part of this document may be photocopied, reproduced, or translated into another language without the prior written consent of the author.

November 2018.

PowerQuest Drill Template



Place
Stamp
Here

audioquest®

2621 White Road, Irvine, CA 92614 USA

Product Registration

Please complete and mail this registration card today!

Model Name:

PowerQuest 2

PowerQuest 3

Serial Number

Store name

Date Purchased

Your name

Your Address

Your Email Address

Limited Warranty

The Quest Group, DBA: AudioQuest, warrants to the original purchaser of this AudioQuest PowerQuest product, will be free from defects in material and workmanship for a period of five years. Warranty registration can be performed by mailing this card, or via the AudioQuest website <http://www.audioquest.com/PowerQuest/>. Registration is advised. Refer to the product manual for more warranty information.