

Quick Start Guide
Guide de démarrage rapide

zappiti
One 4K HDR



HDD not included.

English • Français



Manufactured under license from Dolby Laboratories.
Dolby and the double-D symbol are trademarks of Dolby Laboratories.



DTS, the Symbol, & DTS and the Symbol together are registered trademarks & DTS 2.0+Digital Out is a trademark of DTS, Inc. Product includes software. © DTS, Inc. All Rights Reserved.

Getting More Information

Due to the regular evolution and the addition of new functionalities, provided by firmware and software updates, it is impossible to cover all functionalities in this user's guide. For this reason, we invite you to visit our online **Zappiti Knowledge Base**. You will find a large amount of tutorials and various help topics concerning the use of the media player and Zappiti applications:

zappiti.uservoice.com/knowledgebase

About Zappiti

Zappiti is a French company based in Paris. Zappiti designs and manufactures only professional grade Video Management Systems; delivering the highest quality, outstanding performance, and best possible user experience. The software development & engineering, design and support teams are located in France (Europe).

All of the Zappiti products are designed to provide our end-user customers with convenient and intuitive access to their entire movie library collection, in stunning 4K, High Definition resolution. The award winning Zappiti devices are being successfully used to improve the movie watching experience, in residential and commercial environments all over the globe.

To ensure the ultimate performance, all Zappiti devices are supplied to authorized resellers through a worldwide network of established and well respected distribution partners.

Zappiti products are distributed in over 40 countries worldwide.

Table of Contents

4 English Quick Start Guide

- 4 • General, Key Features
- 5 • Organize your Video Collection with Movie Covers
- 6 • Package Contents
- 7 • Exterior
- 8 • Remote Control, Connect a Computer Keyboard / Mouse
- 9 • Getting Started, HDMI Outputs, Black Border Issue (overscan)
- 10 • Firmware Upgrade, Audio & Video Settings
- 11 • Zappiti Video, Zappiti Music & Zappiti Explorer, Create an Account
- 12 • Connecting USB Drives, Using Internal Drive, SD / MMC Cards
- 13 • Accessing Network Drives and Access to Zappiti Storage
- 13 • How to Transfer Your Files Using Zappiti Explorer
- 13 • Video And Audio Playback Options, Slideshow Function, Properties
- 13 • How to install an App, Add a Shortcut to the Home Page
- 14 • Ethernet, Wi-Fi, Bluetooth, Audio/Video Mirroring
- 14 • Zappiti Music, How to Control Your Zappiti Using your Tablet / Smartphone
- 15 • How to Create a Movie Collection in Zappiti Video
- 16 • Adding a Movie File, Deleting a Movie File
- 16 • How to Identify Unidentified Movies, How to Identify 3D, 4K and UHD File
- 17 • Parental Control, Personal Categories, Zappiti On Start-Up, Subtitle options
- 17 • Default Subtitles and Language, User Support, Zappiti Db Community

Table des matières

16 Français Guide de démarrage rapide

- 18 • Introduction, fonctions clés
- 19 • Système de jaquettes intégré
- 20 • Contenu de la boîte
- 21 • Vues extérieures
- 22 • Télécommande, Connectez un clavier ou une souris informatique
- 23 • Démarrage, Bordure noire
- 24 • Mise à jour firmware, Réglages audio et vidéo
- 25 • Zappiti Video, Zappiti Music et Zappiti Explorer, Enregistrement
- 26 • Disque dur externe, Périphérique USB, Disque dur interne
- 26 • Utilisation de cartes mémoire SD
- 27 • Accéder aux dossiers réseau
- 27 • Copiez et gérez vos fichiers avec Zappiti Explorer
- 27 • Fonction Diaporama, Touche Info, Installer une app, Ajouter un raccourci sur la page d'accueil
- 28 • Ethernet, Wi-Fi, Bluetooth, Mirroring audio et vidéo
- 28 • Zappiti Music, Contrôlez votre Zappiti via tablette / smartphone
- 29 • Créer une collection de films / séries avec Zappiti Vidéo
- 30 • Utilisation de Zappiti Vidéo, Film non trouvé, Fichiers 3D et UHD
- 31 • Contrôle parental, Catégories personnelles, Zappiti au démarrage, Réglages des sous-titres
- 31 • Sous-titres et langue par défaut, Devenir contributeur Zappiti Db
- 31 • Installer une application tierce, Ajouter un raccourci sur la page d'accueil

General

The Zappiti One 4K HDR is an all-in-one solution for video playback with HDMI 2.0, 10-bits, 4K60p, HEVC, HDR and 3D MVC capabilities.

Key Features

- **HDR:** Display your HDR video content, while also providing increased dynamic range.
- **4K 50/60p:** Display your 4K video content in 3840x2160p at 50 Hz or 60 Hz (HDMI 2.0a).
- **MKV Player:** Playback SD, HD and UHD video contents in MKV, M2TS, DVD / BD / UHD ISO and other modern video file containers and formats, including top quality HEVC/H.265 video codec, with very high bit-rates up to 400 Mbp/s.
- **HDD Rack Option with Hot Swap Function:** Easily and quickly insert and exchange internal 3.5" SATA hard drives.
- **Network Player:** Connect your Zappiti on your local network and enjoy your content from a computer PC/MAC or a NAS via SMB.
- **USB Ports:** Conveniently connect hard drives, USB flash drives, USB card readers, computer mouse / keyboard, and other USB storage devices.
- **USB Port 3.0 and Type-C:** Read or copy your files in ultra high speed.
- **Full Range of A/V Connectors:** S/PDIF coaxial and optical audio output, audio analog RCA, RCVBS, HDMI 2.0 CEC, HDMI Audio only, HDMI Input.
- **Multichannel home cinema audio:** Bitstream (RAW), downmix LPCM stereo .
- **Hi-Res Music Playback:** Play your Hi-Res Audio quality music files and control them from your smartphone / tablet (iOS/Android) without the need of TV.
- **Video Output Flexibility:** Output video in any resolution and format including SD, 1080p (1920x1080), Ultra HD (3840x2160p) and true 4K (4096x2160p) up to 12-bit by primary color.
- **Auto Framerate:** Auto framerate detection 24/50/60p (compatible 24.000 Hz / 23.976 Hz).
- **Playback Memory:** Resume playback from the last position.
- **Advanced File Browser:** Convenient file browser with powerful file management (select, select all, copy, cut, past, delete, rename, ...).
- **Audio playback functions:** Album cover art support, folder playback, random, repeat, loop...
- **Photo slideshows:** Convenient features to easy create beautiful photo slideshow with music and amazing transition effects.
- **Backlit Remote Control:** High quality remote control with direct access and shortcuts with backlit buttons and recordable buttons to control another device.
- **Wi-Fi 5 GHz with 2 dual antennas:** Playback your video content wirelessly with high bitrate.

Vote for Future Features

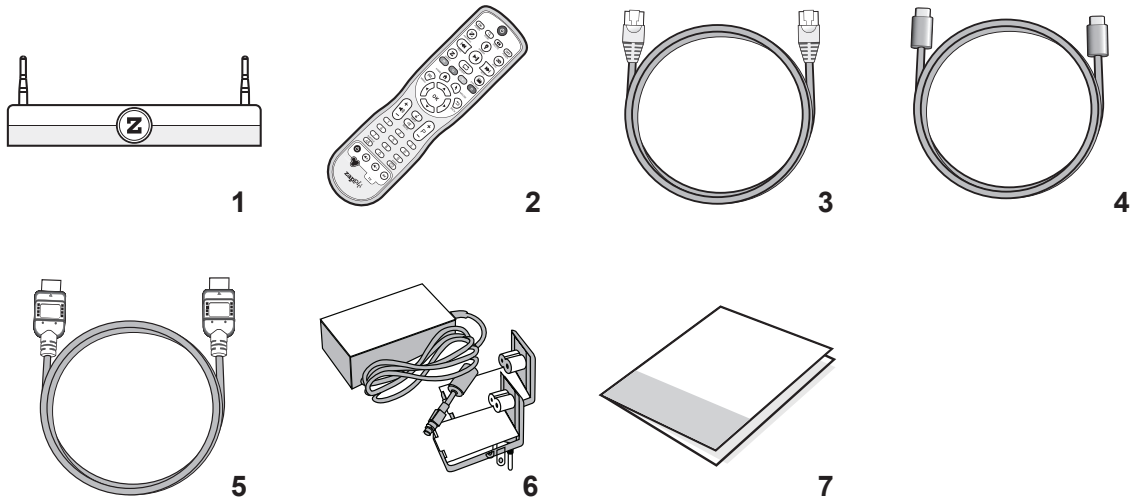
To propose a new function or vote for an upcoming feature, visit:
zappiti.userservice.comzappiti.userservice.com



Organize your Video Collection with Movie Covers

- **Zappiti Video Interface:** Browse your movie and TV show collection with cover art and media information: (subtitles, actors, director, release date...). Zappiti features an automatic category index of movies and TV shows directly to the player, without requiring a computer.
- **Zappiti Search:** Easy access to your movies or TV shows, thanks to Zappiti powerful search engine combined with smart filters (actor, director, length, rating, release date...).
- **Zappiti Stand-Alone:** Add, edit or delete movie covers directly on your Zappiti via the remote control (no PC required). Change the posters, edit the synopsis, change the associate category, create and organize your own personal categories, etc.
- **Zappiti on Start-up:** Enable/disable start-up for Zappiti Video from system boot by Zappiti setting.
- **Zappiti Collections:** Create and manage one collection by each family member or one collection by HDD and switch easily from one collection to another.
- **Parental control:** With the parental control feature, you can designate movies as “children's” and block access to other movies with a PIN code. Thus, your children can safely access only their movies! In addition, the child mode provides direct access to movies for greater ease of use.
- **Movie sagas:** The saga films are automatically placed in groups and sorted by release date. A saga cover dedicated to the collection is associated with the group and movies are displayed in a stunning carousel with great 3D motion effects!
- **Zappiti Off-line:** Save a collection locally and use it without any Internet connection.
- **Zappiti Trailers:** Watch the trailer of your movies.
- **Zappiti Bonus Live:** Watch additional contents such as Making Of, Deleted Scenes, Extracts, Reviews, Bloopers, ... The additional contents are regularly updated for more results.
- **Zappiti Sub:** Easily download the subtitle of a movie or TV show episode, directly from the Zappiti.
- **Zappiti Sync:** Thanks to Zappiti Sync, your movie collections are automatically synchronized to your other Zappiti Player 4K (multiroom) and to all your computers MAC and PC!
- **Zappiti Explorer:** Zappiti Explorer is the easiest way to launch the playback of most of multimedia files such as UHD, BD and DVD ISO, BDMV, M2TS, MKV, MP4, MOV, MP3, FLAC, JPG... Zappiti Explorer makes file exploration so easy!

Package Contents



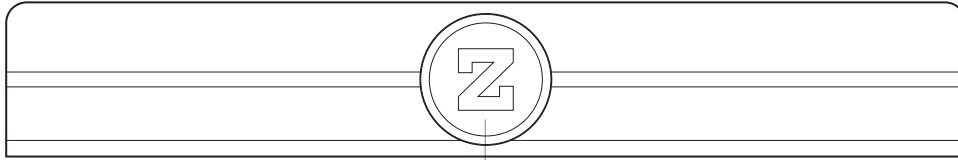
1. Zappiti One 4K HDR
2. IR remote control
3. Ethernet cable
4. USB Type-C cable
5. HDMI 4K cable
6. Power adaptor
7. Quick Install Guide

HDMI Cable

The supplied cable is compatible with 4K HDR. For longer lengths, we recommend the cables offered on **zappiti stores**. All the proposed HDMI cables have been tested in 3840x2160 resolution at 60 Hz, and in 4:4:4 / 10-bit in real situation on Zappiti 4K HDR media players. By choosing one of the cables offered by Zappiti, you will have the insurance of optimal operation. Indeed, a large number of HDMI cables yet certified 4K 60p and 2.0 are not compatible with Zappiti boosted video streams and it can happen that the picture displays jerks, freezes, white pixels, or a black screen .

NOTE: Additional items (optional) may be included into the package, package, on player configuration, region, and distributor.

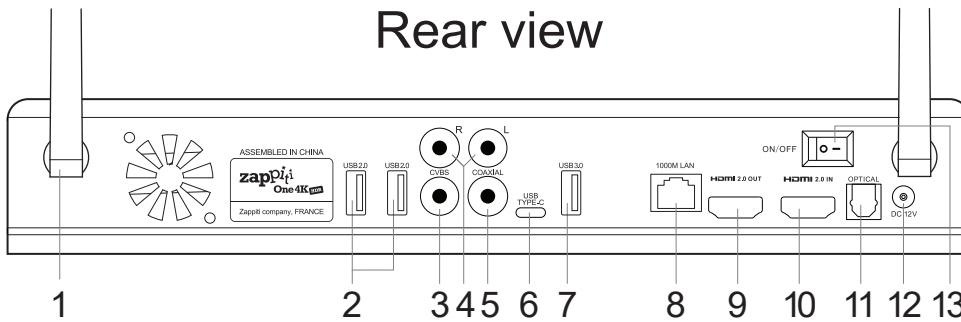
Front View



1

1. LED Indicator

Rear view



1

2

3

4

5

6

7

8

9

10

11

12

13

1. Wi-Fi Antenna

2. USB 2.0 Host

3. Analog Video Output CVBS

4. Analog Audio Output Right / Left

5. Coaxial Digital Audio Output

6. USB TYPE-C

7. USB 3.0 Host

8. LAN 10/100/1000

9. HDMI 2.0 Output

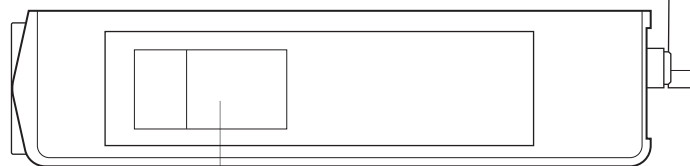
10. HDMI 2.0 Input

11. Optical Digital Audio Output

12. DC Power 12V 2A

13. Power Switch ON/OFF

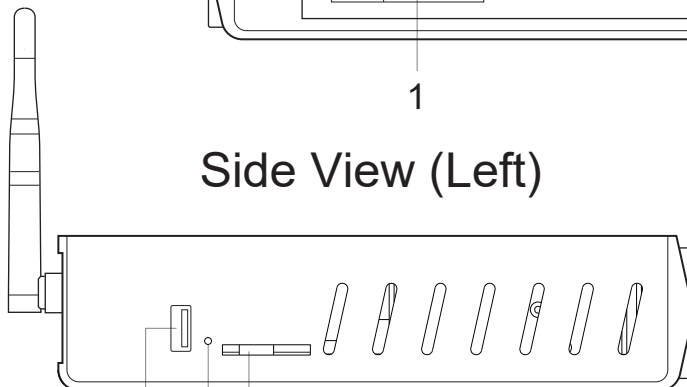
Side View (Right)



1

1. Rack HDD Door

Side View (Left)



1

2

3

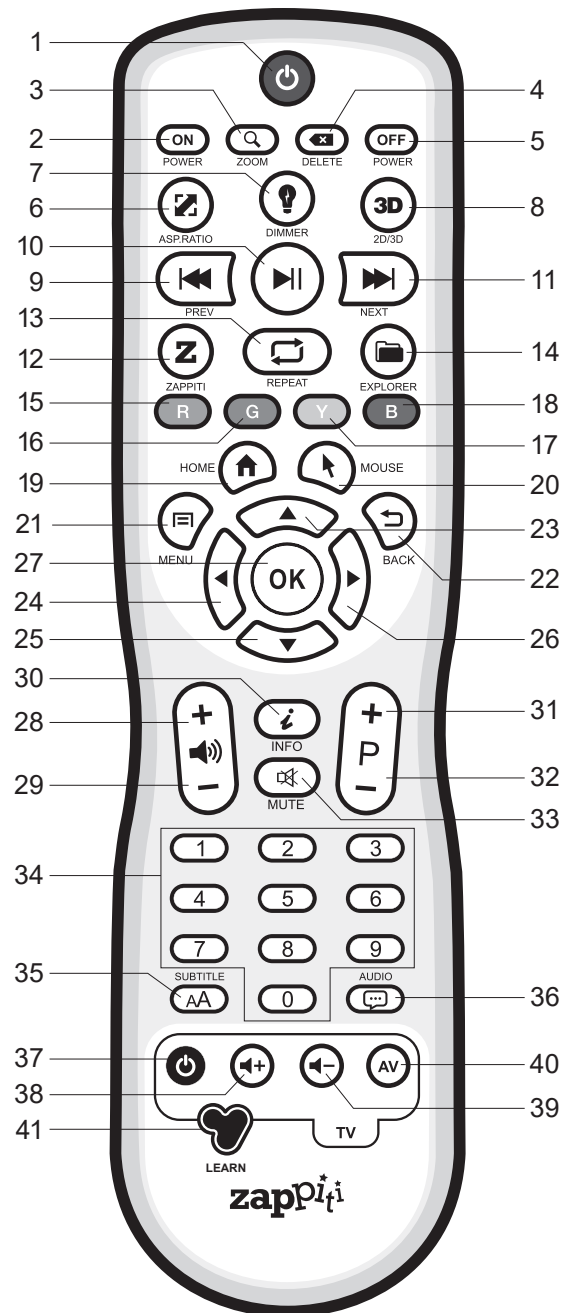
1. USB 2.0 Host

2. Restore

3. SD/MMC Card Reader

Remote Control

1. **POWER:** Toggle power ON/OFF.
2. **POWER ON:** Power ON.
3. **ZOOM:** Zoom In / Out (overscan).
4. **DELETE:** Delete / Change home template.
5. **POWER OFF:** Power OFF.
6. **ASP. RATIO:** Switch the Aspect Ratio.
7. **DIMMER:** Toggle Front LED ON/OFF.
8. **3D:** Toggle 3D mode (2D / 3D).
9. **PREV:** Go to the previous chapter.
10. **PLAY/PAUSE:** Start / Pause playback.
11. **NEXT:** Go to the next chapter.
12. **ZAPPITI:** Zappiti Media Center shortcut.
13. **REPEAT:** Repeat playback (file, all, off).
14. **EXPLORER:** Zappiti Explorer shortcut.
15. **RED:** For future function.
16. **GREEN:** Shortcut to Settings.
17. **YELLOW:** Shortcut to HDMI IN Recording page.
18. **BLUE:** Shortcut to Firmware Upgrade page.
19. **HOME:** Go to Main Menu (Home Page).
20. **MOUSE:** Switch to the virtual mouse mode.
21. **MENU:** Show / Hide the pop-up menu.
22. **BACK:** Return or Stop playback.
- 23-26. **ARROWS:** Navigate menu selection.
- 23,25. **UP:** Fast forward. **DOWN:** Fast backward.
- 24,26. **LEFT/RIGHT:** Timeline navigation (+/-1 min).
27. **OK:** Enter or validate the current item.
- 28-29. **VOLUME +/-:** Increase / Decrease volume.
30. **INFO:** Show / Hide the pop-up info (properties).
- 31-32. **PAGE +/-:** Timeline navigation (+/-10 sec).
33. **MUTE:** Mute audio.
34. **NUMBER Buttons:**
 - 1-9: direct playback access to 10 - 90%.
 - 0: Restart the playback from the beginning.
35. **SUBTITLE:** Subtitle switch / settings.
36. **AUDIO:** Audio track switch.
- 37-41. **TV:** TV remote.
37. **POWER:** Toggle power ON / OFF.
- 38-39. **VOLUME +/-:** Increase / Decrease volume.
41. **LEARN:** Record an external RC.
RC/BACKLIT: Activate backlit.



Programming Buttons

1. Press and hold the LEARN button (41) until the ON button is lit in red (not blinking).
2. Please take the TV remote control then press and hold the button you want to learn (example Vol +) until the Zappiti remote's ON button flashes red (blinking).
3. Take the Zappiti remote control and press the button (37-40) you want to assign to the programming (example Vol +).
4. Repeat steps 2 and 3 for the other buttons to be programmed.
5. To finish programming, quickly press the LEARN button (41).

Note: It is possible to connect a keyboard and a computer mouse to the Zappiti. By default, the keyboard is set in **QWERTY**. To switch the keyboard recognition to **AZERTY** or other key position, first connect your keyboard to one of the available USB ports. Press the **GREEN** button on the remote control to access the Android settings. Then, click **Languages & input**. Finally, choose your language in **Current Keyboard** section, **Android Keyboard & Physical Keyboard**. Warning! The mouse is not compatible with Zappiti Video, Zappiti Music and Zappiti Explorer apps. But it can be useful for third-party apps downloaded from GooglePlay or AptoideTV.

- Please use alkaline AA batteries. Please observe polarity when inserting batteries.
- Please **Remove the plastic film** from the Z logo of the front panel. The IR led is located behind. ⚠
- If RC functions only at short distances or stops functioning, make sure to replace the batteries.
- Point the remote control at the Zappiti. There must be no obstacles between the RC and the media player.
- Some RC buttons may be available only in certain player modes or only during playback of a certain content.

Getting Started

Please make sure there is enough space around the device for proper cooling (10 cm at minimum). Ensure the remote control has batteries installed. Connect the player to your TV and other A/V equipment in an appropriate way. Use HDMI connection to get the best possible audio and video quality. Make sure to power off the player and related A/V equipment before connecting them. Ensure your TV and other A/V equipment are configured to use proper inputs/outputs. For the best audio & video experience, please use the HDMI output.

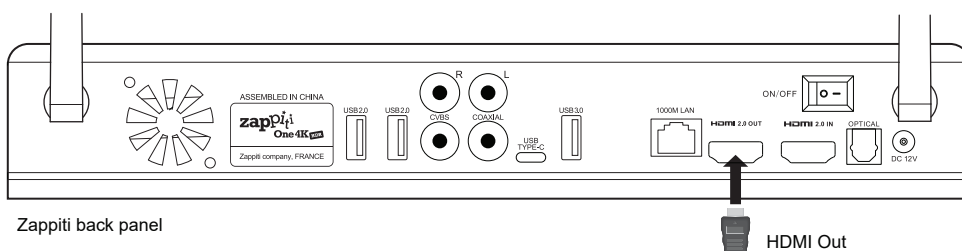
*****Please make sure to use HDMI OUT and not HDMI IN connection to link your Zappiti to your TV or your front projector (or to your AV receiver or soundbar if you are using it).**

Switch on the Zappiti. The media player will perform its initial boot up procedure, which may take up to about 1 minute (depends on apps). During the boot up procedure, "Z" logo is shown on the TV.

*****If you have a black screen or no video signal, please visit the Zappiti Knowledge Base.** ⚠
zappiti.userservice.com/knowledgebase

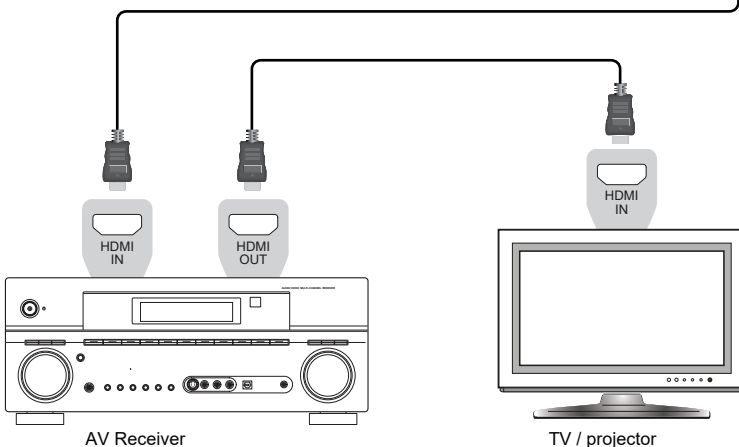
Finally, you should see the main screen with access to applications Video (Media Center), Music and Explorer. On the top you'll find access to the Settings and MyApps.

To adjust the player settings, press the **GREEN** button of your RC or click on "**SETTINGS**" item located on the top of the screen. In particular, you can adjust the following settings: video, audio, and network configurations. To choose the language of the Android menus, please use: **Settings / Personal / Language & input** setting. Zappiti apps use specific language settings. To set Default Audio Language, during video playback, press the **MENU** button of your RC, and click on **Advance**. Then you will be able to set the **Default Audio and Subtitle language**.



Zappiti back panel

HDMI Out



AV Receiver

TV / projector

Black Border & Overscan



If you have a black border problem all around the screen, press the "zoom" button on the remote control (3). You can also adjust the aspect ratio of your TV (**Fit to Screen** option).

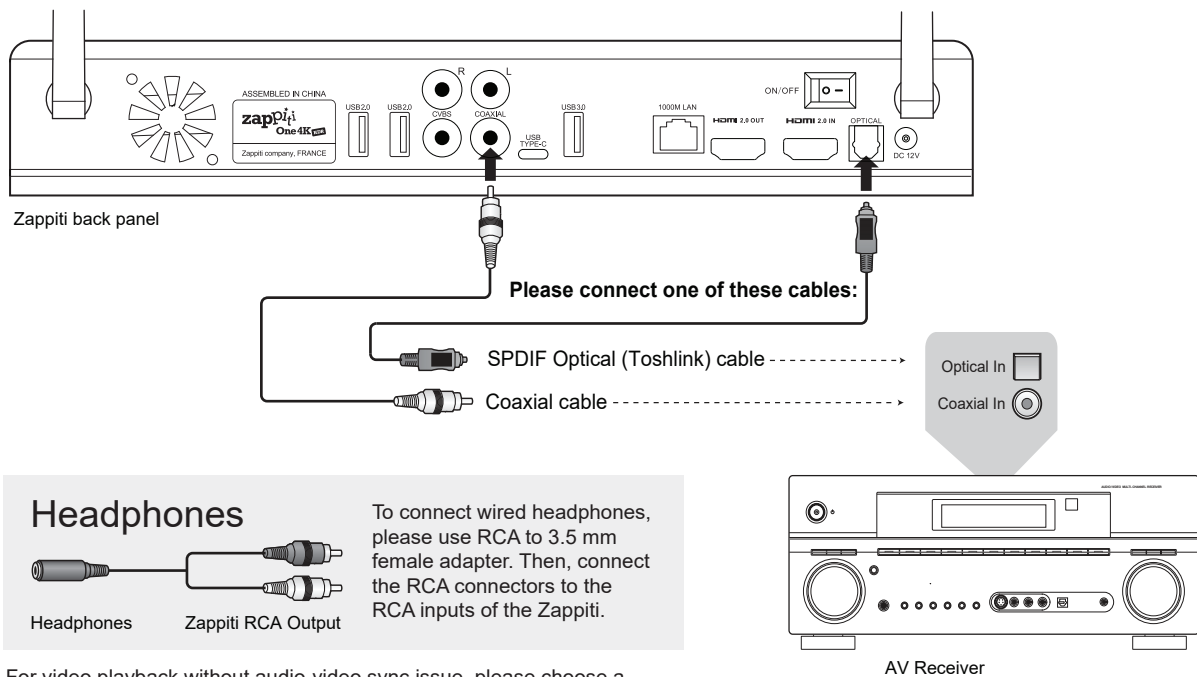
Firmware Upgrade

To access the Firmware upgrade page and update the firmware online or via USB, please press the **BLUE** button of the RC. To check the most recent changes, latest firmware versions and get recovery firmware, please visit our website at: [.../firmwares](#)

Audio Setup

The Audio section of the Settings Menu allows you to configure preferences for audio output formats. To access the audio settings, please go to “**Settings/Device/Sound and notification**”. If you are using an AV receiver compatible with HDMI and multichannel audio, please set the **HDMI output** to “**Auto**”. If your AV receiver is compatible HDMI but not compatible HDR, please connect your Zappiti to your AV receiver using the **S/PDIF** output. You can also force it to “**RAW**” (Bitstream). If your AV receiver is not compatible with DTS and Dolby Digital, please set the **S/PDIF** output to LPCM 2Ch.

Force SD Audio: The **S/PDIF** does not support **HD Audio** such as **DTS-HD** or **Dolby TrueHD**. To convert **HD audio** into **SD Audio** (**DTS-HD** to **DTS** or **Dolby TrueHD** to **Dolby Digital**), please switch “**ON**” the **Force SD Audio** option located in **Settings/Developer options**. More info: zappiti.uservoice.com/knowledgebase



For video playback without audio-video sync issue, please choose a wireless headphones compatible with **Apt-X Low Latency** technology.

Video Setup

By default, the Zappiti is able to auto adjust the video output. But you can manually select the resolution and frequency of the GUI. To force the output resolution, please switch “**ON**” the **Ignoring HDMI EDID** option located in **Settings/Developer options**. Then go back to the general settings by pressing the **BACK** button of your RC, and go to “**Display**”. You will be able to see all the output modes available in Manual Settings but the Auto mode will be not available anymore. To adjust the **Color Space** and the **Deep Color** (OFF/10/12-Bit), go to **Settings/Developer options**. **For the best performances, we advise you the following settings: Y’CbCr 4:4:4 / 10-Bit (if your display is compatible).**

Note: the auto framerate is still activated even if you force the HDMI output in a specific resolution/frequency, however, in some cases, the manual resolution mode can generate some issues.

Use the RC buttons UP, DOWN, LEFT, RIGHT, OK, RETURN to navigate through the player menu. Use the **MENU** RC button to show the list of available commands. Use the **INFO** RC button to show the INFO panel.

The Home Page features 3 main applications: **Zappiti Video**, **Zappiti Music** and **Zappiti Explorer**.

Zappiti Video

Zappiti Video is a media player, software and entertainment hub, featuring an impressive user interface with movie covers. With Zappiti Video, you can experience your entire movie and TV series collection, browse and play your titles from local and network storage media, view cast information, download subtitles, play trailers and much more.

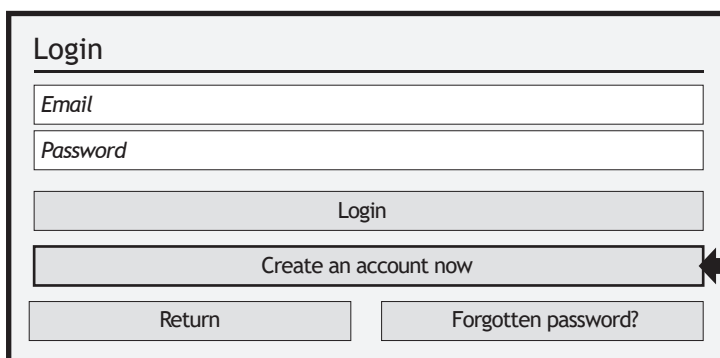
Zappiti Music

Zappiti Music is an app dedicated to music playback designed for Zappiti players. Listen to your favorite tracks, and manage your music collection in a simple way. With Zappiti Music you can play your favorite music stored anywhere on your home network or on a local drive connected to your Zappiti media player. With Zappiti Music, you can control your music playback through your Zappiti media player, from your smartphone or tablet (iOS or Android) without the need of TV. Select the Zappiti media player you want to control and manage your music collection directly from your tablet or smartphone.

Zappiti Explorer

Zappiti Explorer is a File Manager. You can easily explore and launch playback of your music, pictures and video content. But Zappiti Explorer is more than just a file explorer — it also provides many advanced multimedia features and a complete file management system.

Before to start using the Zappiti apps, you have to create a Zappiti account and register your device. First, connect your media player to Internet through Wi-Fi or Ethernet. Please launch one app and select your language. Then, follow the on-screen instructions. If you have never used Zappiti before and if you don't have any Zappiti account, please click on **Create an account now**.



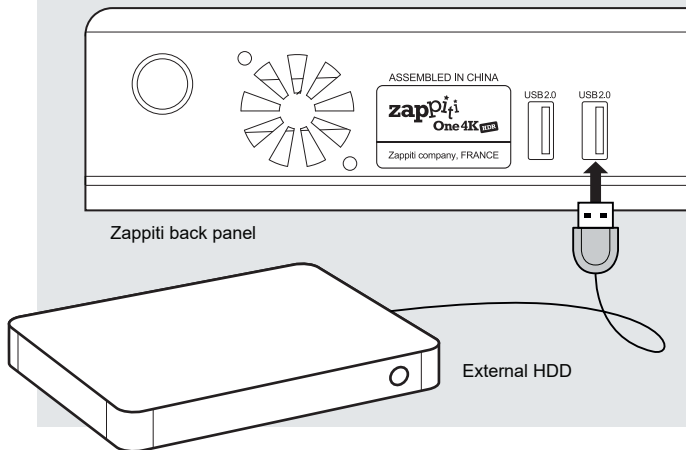
Click here to create a Zappiti account

Then, you'll be invited to enter your Zappiti Token. The token number is printed on a sticker located under the Zappiti case. You'll have to enter it only one time. Then, all the info of your account will be saved in the internal memory.

Note: If you do not have any Internet connection, you can explore your files using: **MyApps/Media Browser**.

External USB

If you are using an external HDD 2.5", please use the USB cable provided with your HDD for best performance.



Connecting USB Drives

You can connect your USB drives to one of the available USB ports. If you want to play video files, USB 2.0 is enough to support very high bitrate (up to 480 Mbps). If you want to transfer files, we advise you to use USB 3.0 or USB Type-C (not available on Zappiti Mini 4K HDR model).

*****Note:** A dedicated USB icon located on the home page can help you to detect if the drive is connected correctly.

Power provided by USB ports may not be enough to allow the USB drive to function correctly; depending on the drive. Please do not disconnect or switch off the USB drive during write (copy / transfer) operations.

The Zappiti players are compatible with UASP HDD docking stations as well as USB hubs.

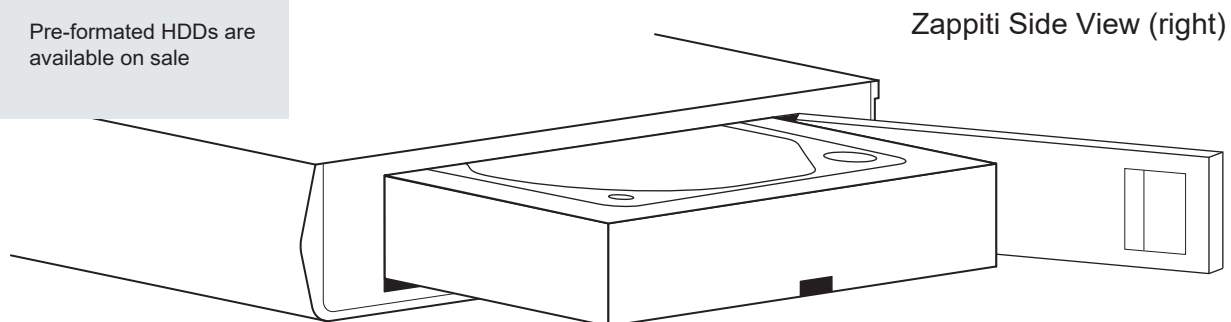
Using Internal Drive

To insert the internal 3.5" SATA HDD, please open the rack door, then insert the drive into the internal enclosure until 3/4, then complete the installation by closing the door. This operation will complete the installation of the disk into the rack. The Zappiti media player is compatible with drives formatted in NTFS, ExFAT, FAT16, FAT32, HFS, EXT2/3. It is not possible to format hard drives via the Zappiti. You must use a computer for this purpose. *In case of NTFS GPT, please use 64 Ko allocation tables. To use a 2.5" internal drive, please use an adapter box.*

Note: Please make sure that your hard drive is correctly formatted before you insert it in the tray. The hard drives dedicated to NAS are not compatible.

More info: zappiti.uservoice.com/knowledgebase

Pre-formatted HDDs are available on sale



Open the tray and insert the HDD, keeping the connectors on the front

Using SD / MMC Memory Cards

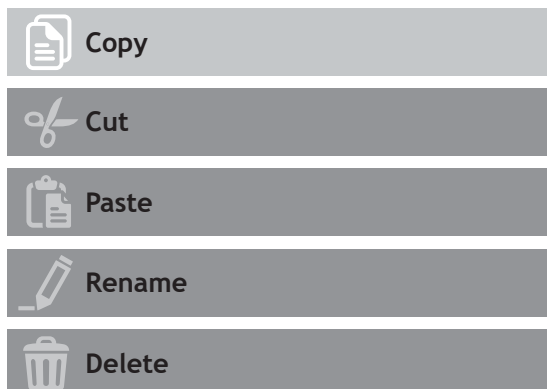
To use a memory card, insert it in the memory card slot located on the left side of the media player. It will be detected as USB device (USB icon on the home page). Some SD memory cards may not be recognized by the player or may work incorrectly ; in such case, please use a different model of memory card.

Accessing Network Drives and Access to Zappiti Storage

The Zappiti media player features a Samba client (SMB) to explore and playback your videos, pictures and music, located on your local network (NAS, computers, ...). The SMB Server is activated by default. You can access your Zappiti using the Zappiti IP address as following: \\192.168.1.15 (example). To find the IP address of your Zappiti, go to: **SETTINGS (GREEN button of the RC) / Ethernet Configuration**. More info about SMB Server, FTP and DLNA Server here: zappiti.uservoice.com/knowledgebase

The Zappiti media player also features a function called **Zappiti Share**, based on Samba server technology. This allows you to access your video, pictures and music content, located on internal HDDs (or local drive connected in USB to the media player) from another Zappiti player 4K or 4K HDR through your local network. You can playback video contents, in 5 different rooms simultaneously, equipped with Zappiti media players. Thanks to **Zappiti Share**, a NAS server or computer is not required to stream your media content in different rooms of your home. To use Zappiti Share, please select **Zappiti Share** instead of **Local drive** in the **Zappiti Video Folder Configuration**.

How to Transfer your Files Using Zappiti Explorer



Zappiti Explorer is a File Explorer, but also a complete file manager with features such as: Copy, Cut, Paste, Select, Select All, Delete, and Rename. Zappiti Explorer is also multi-tasking. To access these functions and display the task manager, press the **MENU** button on the Zappiti's remote control.

Video And Audio Playback Options

The Zappiti Explorer **MENU** also provides access to various video and audio playback options such as sequencing of file playback, loop playback, ...

Slideshow Function

Zappiti Explorer offers a slideshow function with cross fades and transition effects. To access the slide show display settings including the frame time, transitions and effects, press the **MENU** button on the remote control (slide show off). To add a music to a slide show, simply place an audio file in the folder containing your pictures. If several audio files are in the same folder as the photos, the tracks will be linked one after the other and played in alphanumeric order.

Properties

To view the complete technical information of the file being played, press the **INFO** button on the remote control. You will find in particular, the datarate, framerate, video and audio codec and format, size, resolution, and more...

How to Install a New App

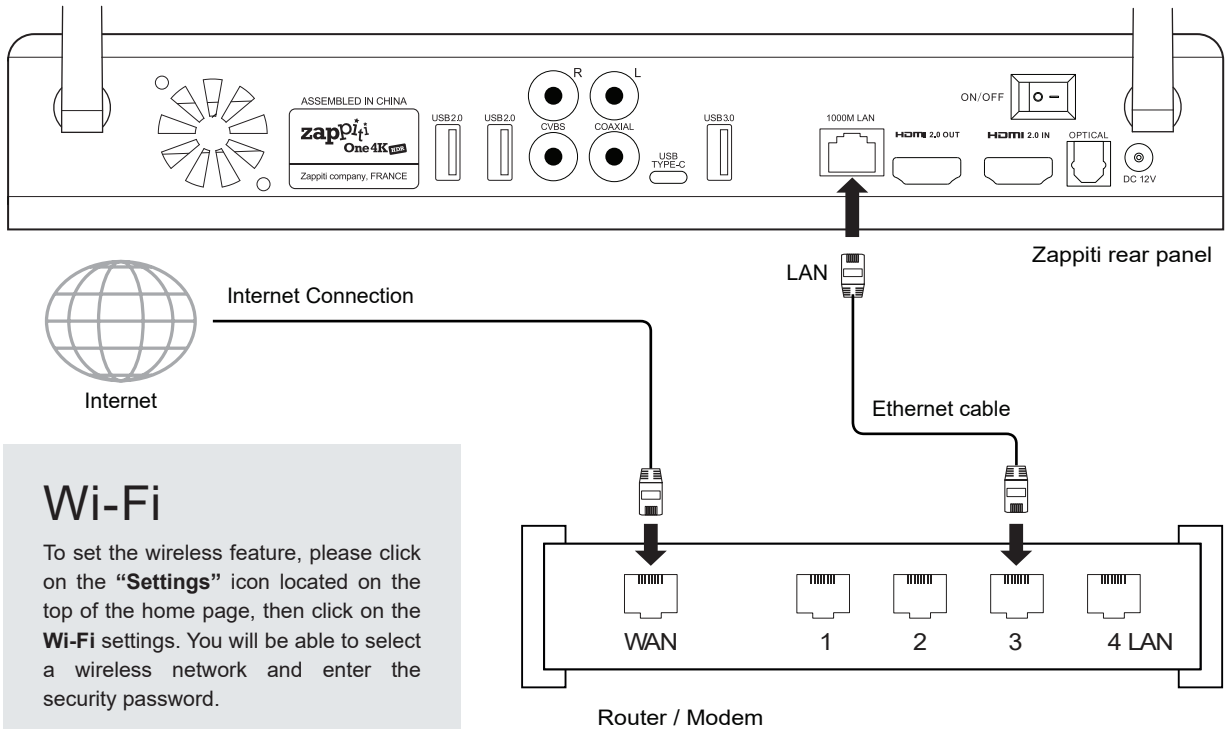
To install a new app, please go to **My Apps / AptoideTV**. You'll find many apps dedicated to media players that can be controlled by RC. You can also use **GooglePlay** but some apps may be not compatible with the Zappiti. If you want to install an **APK** from a USB stick, please use **Zappiti Explorer** or **MediaBrowser**.

How to add an App Shortcut to the Home Page

To add a shortcut to a favorite app on the home page, please click on **+** icon and select your favorite app to add it to the home page.

Ethernet

The Zappiti provides two network connection methods: through Ethernet cable or through the built-in wireless LAN adapter. For the fastest and most stable network connection, we recommend using an Ethernet cable whenever possible. Plug one end of a network cable (straight Ethernet cable) into the **LAN port** on the back of the Zappiti (Category 5E or more). Then, plug the other end of the network cable into a LAN port on the broadband router or modem (or switch if you are using one).



Wi-Fi

To set the wireless feature, please click on the “Settings” icon located on the top of the home page, then click on the **Wi-Fi** settings. You will be able to select a wireless network and enter the security password.

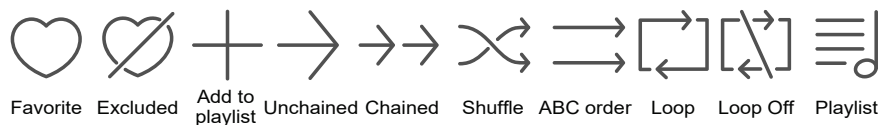
Bluetooth

The Zappiti player is compatible with devices using Bluetooth technology. To access the list of Bluetooth-enabled devices, go to **Settings / Bluetooth**. Then switch the option to “On”.

Audio & Video Mirroring

For more info about mirroring audio & video, please search “mirroring” using the search engine in the Knowledge Base here: zappiti.uservoice.com/knowledgebase

Zappiti Music



On the main page of the Zappiti, you will find Zappiti Music, an app dedicated to Music playback. Use the **UP/DOWN** button to browse your music folders. Use the **RIGHT** button to access the additional options. Press **ENTER** on **Favorite** button to mark the current track as **Favorite**. Press **ENTER** 2 times on **Favorite** button to mark the current track as **Excluded track**. To create a folder shortcut, select a folder, press **MENU** and press **ENTER** on **Create a shortcut**. The shortcut will be placed on the Zappiti Music home page. Press **ENTER** on **Q** to filter a music title by entering a keyword.

How to Control your Zappiti Using your Tablet / Smartphone

You can also control the Music and Video playback using the dedicated apps named Zappiti Video Control and Zappiti Music Control available for iOS and Android. To install them, switch on your tablet or smartphone, then go to the Play Store (Android) or App Store and search them using **Zappiti control** keywords. Then, launch the app and enter your zappiti account credentials. You will be access to you video and music contents and control the music without the need of TV.

How to Create a Movie Collection in Zappiti Video

Before starting, you must create a folder named **MOVIE** on your HDD. Then, place all your movies inside this folder. If you have TV shows, place them in a dedicated folder named **SERIES** or **TV SHOWS**.

Movies

1. On your NAS or HDD, please create a movie folder named **MOVIES**. Place all your movie files in it.
2. Your files should be named with the title of each movie. For example, the file of the movie "Metropolis" should be named "Metropolis.mkv". You can create subfolders in the folder **MOVIES** if you want.

TV Shows / TV Series

1. On your NAS or HDD, please create a folder named **SERIES** or **TV SHOWS**.
2. Then, create a subfolder for each TV Show / Series. You can create a subfolder for each season if you want. Then, place all your TV Show episodes in it.
3. Your episodes must be named as: "Seriename s01e01" ("*Seriename 1x01*" also supported).
For the special episodes, please name them as: "s00e01".

Start your Zappiti. On the main page, click on the first button named **VIDEO**. Choose your language and enter your login. *If you do not have any Zappiti account, please report to page 11.*

Then, click on the button **Connection** located on the bottom of the window.

On the **Folder configuration** window, please click on **Add a folder containing movies** (or TV Shows). If your files are located on a local storage, please click on **Local drives**. If you want to share your video contents with others Zappiti players through your local network, click on **Zappiti Share**. Then click on the storage name. Next, browse it and go inside the Movies (or TV Shows) folder. Finally, when you are in the folder **MOVIES** (or TV SHOWS) click on **OK** button.

WARNING! *When you are in the folder containing your movies or TV Shows DON'T EXPLORE THE MOVIE FOLDERS! Just press OK button. If not, Zappiti will analyse only one movie instead of all the movies. You should add your "MOVIES" folder. Do not add a folder containing only one movie.*

Your folder will be added in the MOVIE folder list (or TV SHOW). You can check the path by looking on the **generated path** located between "MOVIES" button and "Edit" button. Your path should stop to the "MOVIES" folder (or "FILMS" folder). If your path is incorrect, you can modify it by using the **Edit** button. Press **Delete** button to delete the folder from Zappiti. (*Don't worry! Your movies will not be deleted*). If you want to add another folder containing movies or TV Shows, please click on the dedicated button.

Then, press **RETURN** if you don't want to add another folder containing movies. Zappiti will start to scan your folders and analyse your video contents. You can see the current scan task in a dedicated panel. To close the current task panel, press the **RETURN** button of your RC. If you close it, you can display it again through the **MENU** button of your RC.

Done! Now you can enjoy your Zappiti collection! To access to the settings panel again, press the **MENU** button on your remote control. In the settings panel, you'll find many options such as: language (GUI and identification), translations, templates, top movie cover, glass effect, parental control, identification on startup and other options, terms to exclude, token and other account administration.

More info here: zappiti.uservice.com/knowledgebase

ALL

In this section you can find all your video contents sorted by alphabetical order.

MOVIES

In this section you can find all your movies.

TV SHOWS

In this section you can find all your TV Shows and Series Episodes.

RECENT

In this section you can find the most recent video contents.

CATEGORIES

In this section you can find your video contents sorted by categories.

Adding a Movie File

When you add a movie file to your 'Movies' folder, Zappiti will automatically index it during the next restart of the application. To force the analysis, please use the dedicated option located in the Zappiti Menu. (Please use the **MENU** button on the remote).

Deleting a Movie File

When you delete a movie file from your 'Movies' folder, Zappiti automatically removes its cover and descriptive page from your Zappiti collection during the next analysis. You can manually remove a movie using the **Delete** option located in the Zappiti menu.

```
/storage/HDD/Films
Storage ID: 00000000000000
```

If you get a wrong storage ID with « 000000000000 », it means that Zappiti cannot write on the drive due a defective sector. Please format it again.

To access to additional features, press **MENU** button of your IR remote control.

How to Identify Unidentified Movies & TV Shows

Even if your files are not named correctly with the name of the film (or TV show), Zappiti can identify it but only if a Zappiti user previously identified it manually. If you are living in a country where Zappiti is not yet popular, which could happened often at the beginning, mostly if you are using a Zappiti NAS Rip because the generated files are rarely named correctly. But day after day, Zappiti Db will become more and more reliable as users will manually identify files of movies and TV series.

Press **MENU** of the RC and select **X to Identify**. You'll see the list of the files that are not identified. Then, click on the button named **Identify...** On the **Identify window**, please enter again the movie name.

You can also enter the IMDb, TMDb or TVDb ID code to identify your movie or your TV show. On TMDb, TVDb or IMDb, the ID code is located in the URL of the movie page. For instance, the URL of the movie "Metropolis" will be "http://www.imdb.com/title/**tt0017136**". Enter the ID number "**tt0017136**" into the field instead of the title name. Then press the "Search" button. Zappiti will find the right movie at 100%. If your movie or TV show does not exist on TMDb or TVDb, you can add it by creating an account on it.

3D, 4K and UHD Files

The 3D BD ISO, UHD ISO and 4K ISO files as well as BDMV folders for 3D and 4K UHD are not identified automatically. To identify the container, please add the following tags in the name as following:

3D Files: "3D". (For exemple: "Metropolis.3D.iso").

UHD Files: "UHD" or "ULTRAHD" or "ULTRA-HD". (For exemple: "Metropolis.UHD.iso").

4K Files: "4K" or "4096" (For exemple: "Metropolis.2160x4096.iso").

Parental Control

To tag a movie as **Allow for children**, select a movie (or a group of movies), then press the **MENU** button on the RC and click on **Allow for children**. Then, enter a 4-digit pin code.

Parental code

Please enter a 4-digit pin code.
This code will allow you to lock your collection and restrict access to movie tagged "Allowed for children".

* 7 □ □

Cancel

Personal Categories

By default, the movies and TV shows are automatically associated to categories. But you can create your own categories and associate manually your movies. To create a category, go the categories, then press **MENU** and click on **Create a categorie**. Then, enter a name and choose an icon. The contextual menu give also access to additional options such as: modify the position of the categories, edit or remove.



Zappiti On Start-Up

To activate this function, press **MENU**, then go to **Settings**, click on the **second tab** and switch **ON** the option in the list.

Auto-start

Auto launch Zappiti on start-up
↑

Filter and Sort

To sort your movies, press **MENU**, then go to Filter and sort. Then click on the **first item**. Then select the sorting: **A to Z**, **Z to A**, **Release date**, **Duration**, **Addition...** To filter your movies, please click the following options: **Seen**, **Ongoing**, or **Not seen**.

Filter and sort



Subtitle Display Options

To change the subtitle display options such as color, position, or sync, press the **MENU** button on the remote control during video playback, then go to **Subtitle** and change the desired option. To change the vertical position of the Blu-ray subtitles (PGS), go to the **ADVANCE** section, then click on **PGS Subtitle Offset** and decrease or increase the vertical position of the subtitles. To add external subtitles, please use the same name of the video file as following: *Metropolis.mkv / Metropolis-en.srt / Metropolis-es.srt*

Third Party Control

You can control your Zappiti using third party devices such as Control4, Crestron, ProControl, RTI, Logitech, Pronto, ...

More info:

zappiti.uservice.com/knowledgebase

User Support & Zappiti Db

For **User Support**, please contact us at:
tickets@zappiti.uservice.com

To join the **Zappiti Db Community** and create movie covers and fanarts for Zappiti, please contact us

Factory Reset

To reset the Zappiti, go to **MyApps / Factory Reset**.

Introduction

Le Zappiti One 4K HDR est un lecteur multimédia compatible HDMI 2.0, 10-bits, 4K60p, HDR et 3D.

Fonctions clés

- **HDR** : Affichez vos vidéos HDR pour plus de dynamique sur votre écran compatible HDR.
- **4K 50/60p** : Affichez vos contenus vidéo de résolution 3840x2160p en 50 Hz/60 Hz.
- **3D** : Compatibilité 3D MVC (Frame Packing), SbS et Top Bottom. Conversion 2D/3D.
- **MKV** : Lecture de contenu vidéo SD, HD et UHD en format MKV et autres formats de fichiers vidéo récents, tels que HEVC / H.265 pour une qualité supérieure jusqu'à plus de 400 Mb/s.
- **Rack à disque dur à échange à chaud** : Insérez et interchangez facilement vos HDDs.
- **Lecteur réseau** : Lisez vos contenus multimédia stockés sur votre réseau local via SMB.
- **Ports USB** : Connectez facilement des disques durs, clés USB, et autres périphériques USB.
- **Port USB 3.0 et Type-C** : Lisez ou copiez vos fichiers à très haut débit.
- **Connectique A/V complète** : Sorties audio numérique S/PDIF coaxiale et optique, audio analogique, HDMI 2.0 CEC, Vidéo Composite, report IR.
- **Son home cinéma multicanal** : Bitstream, downmix stéréo.
- **Zappiti Music Control** : Pilotez la musique depuis votre tablette / smartphone sans TV.
- **Flexibilité de sortie vidéo** : Affichage vidéo dans différentes résolutions et fréquences, dont SD, 1080p (1920x1080), Ultra HD (3840x2160p) et 4K (4096x2160p) jusqu'à 12 bits.
- **Auto Framerate** : Détection automatique de la fréquence d'image 23,976/24/29,97/30/50/60p
- **Playback Memory** : Reprise de lecture automatique depuis la dernière position de lecture.
- **Langue et sous-titres par défaut** : Choix automatique de la langue et sous-titres par défaut.
- **Explorateur de fichiers** : Explorateur et gestionnaire de fichiers (copier-coller, supprimer, ...).
- **Fonctions de lecture audio** : Prise en charge des pochettes d'album et tags, lecture de dossier, lecture mélangée, favoris, répétition, boucle, listes de lecture (playlists).
- **Diaporama musical** : Fonction diaporama musical avec options de transitions dynamiques.
- **Télécommande rétro-éclairée** : Télécommande rétro-éclairée avec boutons d'accès directs.
- **Wi-Fi 5 GHz double antennes détachables** : Lecture et transfert sans fil à haut débit.

Voter pour les futures fonctionnalités

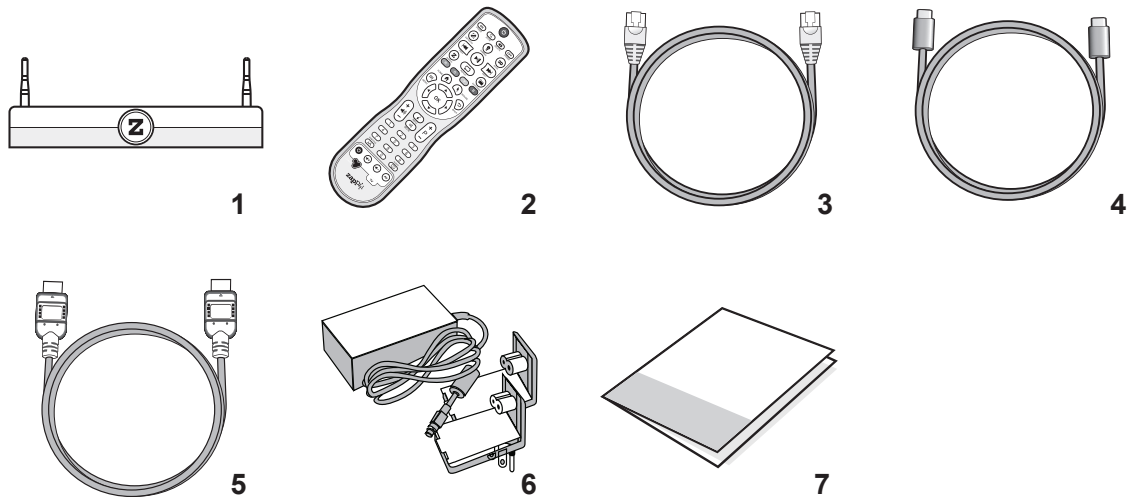
Pour proposer une nouvelle fonctionnalité ou voter pour une fonction à venir, consulter la page suivante: zappiti.uservoice.com



Système de jaquettes intégré

- **Jaquettes** : Système d'exploration par jaquettes pour vos films et séries TV avec présentation des informations (sous-titres, acteurs, réalisateur, date de sortie...). Indexation automatique des films et séries TV par genre. Affichage sur 2, 3, 4 ou 5 lignes de jaquettes.
- **Moteur de recherche** : Retrouvez facilement vos films et séries TV - puissant moteur de recherche, filtres et tris (acteurs, réalisateur, durée, note, date de sortie, ...).
- **Édition depuis le lecteur Zappiti** : Éditez ou supprimez les fiches de films directement à l'aide de la télécommande. Changez les posters, éditez les synopsis, modifiez la catégorie, etc.
- **Zappiti au démarrage** : Lancez automatiquement Zappiti Video au démarrage du lecteur.
- **Multi collections** : Créez une collection de films et séries TV par membre de votre famille ou par disque dur et passez facilement de l'une à l'autre.
- **Contrôle parental** : Grâce à la fonction de contrôle parental, vous pourrez marquer vos films en tant que « film pour enfant » et verrouiller l'accès aux autres films avec un code PIN. Ainsi, vos enfants pourront accéder en toute sécurité à leurs films! En plus, le mode enfant propose un accès direct aux films sans les synopsis pour une plus grande simplicité d'utilisation.
- **Sagas** : Les films d'une saga sont automatiquement placés dans un groupe et triés par date de sortie. Une pochette dédiée à la collection est associée au groupe et les films sont affichés dans un magnifique carousel 3D du plus bel effet!
- **Zappiti Offline (hors ligne)** : Sauvegardez votre collection dans le lecteur pour une utilisation locale sans connection Internet.
- **Bandes annonces** : Visualisez la bande annonce de vos films en langue française.
- **Bonus Live** : Accédez aux contenus associés à vos films tels que making of, scènes coupées, extraits, critiques, bêtisiers, bande originales.
- **Téléchargement automatique de sous-titres** : Grâce à Zappiti, vous pouvez télécharger en un clic les sous-titres d'un épisode de série TV ou d'un film.
- **Zappiti Explorer** : Explorez vos dossiers et lancez la lecture de vos fichiers vidéo d'une manière simple et rapide.

Accessoires fournis



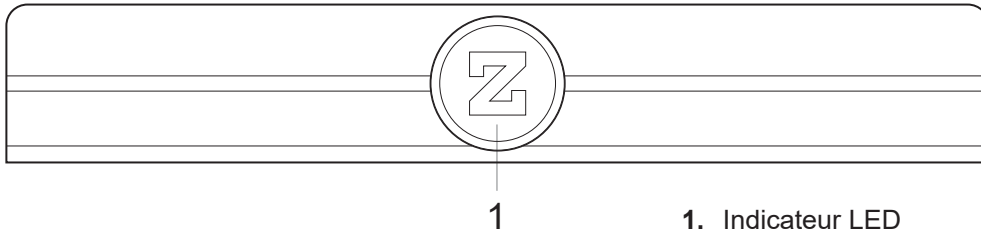
1. Zappiti One 4K HDR
2. Télécommande IR
3. Câble Ethernet
4. Câble USB Type C
5. Câble HDMI 4K
6. Adaptateur secteur
7. Manuel d'utilisation

Câble HDMI

Le câble fourni est compatible 4K HDR. Pour de plus grandes longueurs, nous vous recommandons les câbles proposés sur le site ***zappiti stores***. Tous les câbles proposés ont été testés en résolution 3840x2160 à la fréquence de 60 Hz, et en 4:4:4 / 10 bits en situation réelle sur des lecteurs Zappiti 4K HDR. En choisissant l'un des câbles proposés par Zappiti, vous aurez la certitude d'un fonctionnement optimal. En effet, un grand nombre de câbles HDMI pourtant certifiés 4K 60p et 2.0 ne sont pas compatibles avec les flux vidéo boostés des lecteurs Zappiti et il peut arriver que l'image présente des saccades, des pauses, des pixels blancs, ou un écran noir.

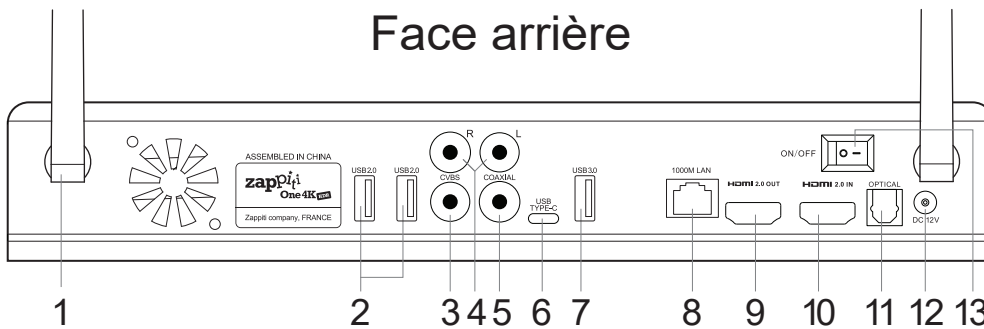
NOTE : des accessoires supplémentaires (optionnels) peuvent être inclus dans la boîte en fonction du pays, du distributeur et de la configuration du lecteur.

Face avant



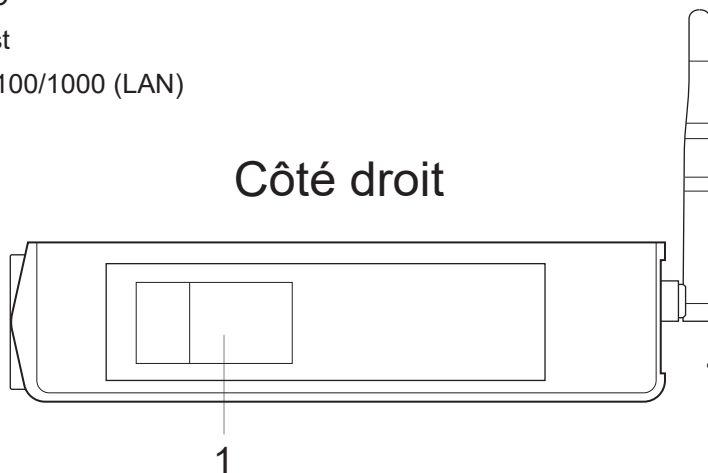
1. Indicateur LED

Face arrière



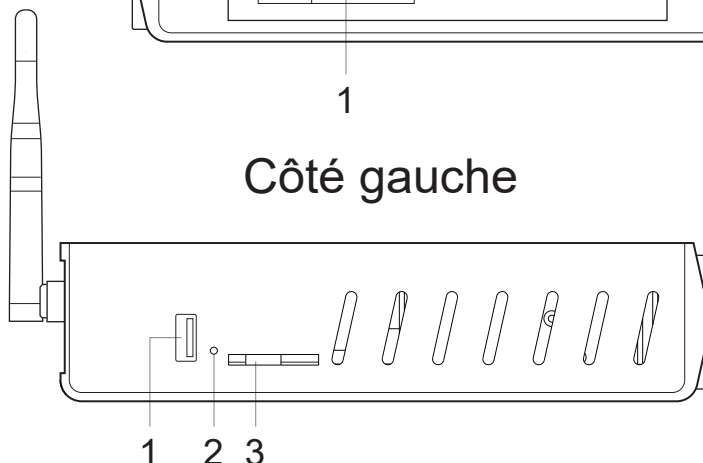
- | | |
|--|---|
| 1. Antennes Wi-Fi | 9. Sortie HDMI 2.0 |
| 2. USB 2.0 Host | 10. Entrée HDMI 2.0 |
| 3. Vidéo Composite | 11. Sortie audio numérique optique |
| 4. Sortie audio analogique Gauche/Droite | 12. Connecteur d'alimentation 12V / 2A |
| 5. Sortie audio numérique coaxiale | 13. Bouton d'allumage / extinction (ON/OFF) |
| 6. USB TYPE-C | |
| 7. USB 3.0 Host | |
| 8. Ethernet 10/100/1000 (LAN) | |

Côté droit



1. Rack à disque dur

Côté gauche

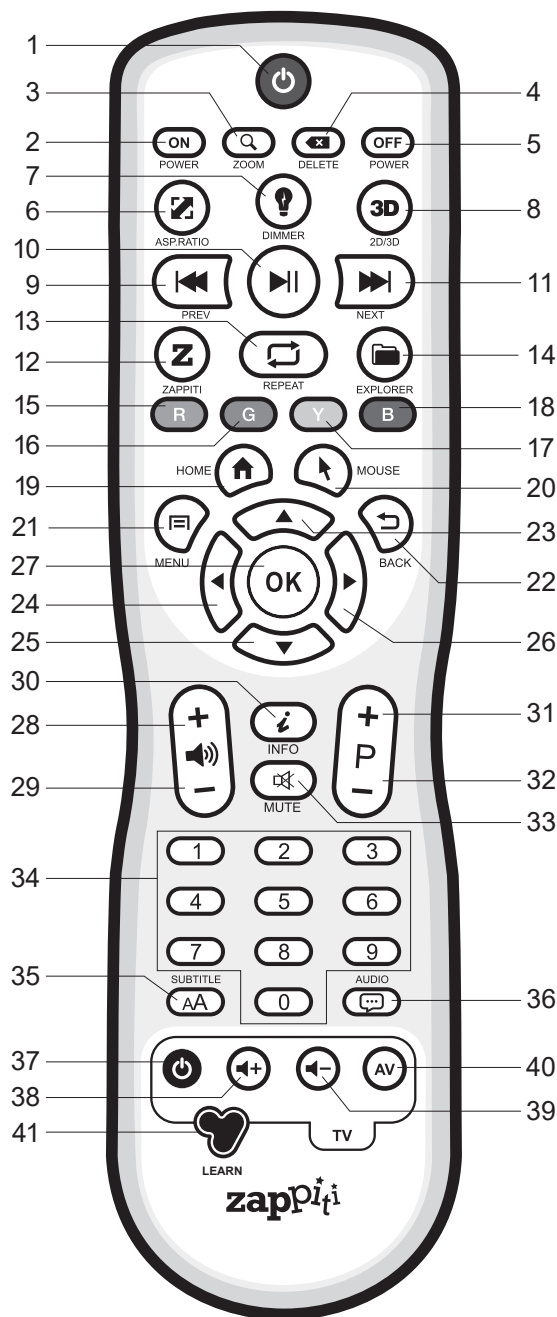


1. USB 2.0 Host
2. Bouton « Restore »
3. Lecteur de cartes mémoires SD/MMC

Télécommande

1. **POWER:** Bouton d'Allumage/Extinction.
2. **POWER ON:** Allumage.
3. **ZOOM:** Rognage de l'écran (overscan).
4. **DELETE:** Suppression / Change le thème graphique.
5. **POWER OFF:** Extinction.
6. **ASP. RATIO:** Changement de ratio.
7. **DIMMER:** Allumage/Extinction du logo.
8. **3D:** 2D/3D.
9. **PREV:** Chapitre précédent.
10. **PLAY/PAUSE:** Lecture/Pause.
11. **NEXT:** Chapitre suivant.
12. **ZAPPITI:** Raccourci Zappiti Media Center.
13. **REPEAT:** Répétition de lecture (OFF, piste, tous).
14. **EXPLORER:** Raccourci Zappiti Explorer.
15. **ROUGE:** Raccourci pour future fonction.
16. **VERT:** Réglages Android (Settings).
17. **JAUNE:** Enregistrement HDMI (HDMI IN).
18. **BLEU:** Mises à jour firmware.
19. **HOME:** Retour à la page d'accueil.
20. **MOUSE:** Mode souris virtuelle.
21. **MENU:** Menu contextuel.
22. **BACK:** Arrêt de la lecture en cours ou retour au menu ou mode précédent.
- 23/25. **HAUT/BAS:** Avance/Retour rapide.
- 24/26. **GAUCHE/DROITE:** Avance/Retour 1 min.
27. **OK:** Entrer ou valider.
- 28-29. **VOLUME +/-:** Modifier le volume.
30. **INFO:** Affiche le panneau d'infos techniques.
- 31-32. **PAGE +/-:** Avance/Retour 10 sec.
33. **MUTE:** Désactivation/Activation de l'audio.
34. **Touches numériques:**
 - 1-9: accès direct (10 - 90% de la durée).
 - 0: Réinitialisation de la position de lecture.
35. **SUBTITLE:** Changement de sous-titres.
36. **AUDIO:** Changement de piste audio.
- 37-41. **TV:** Touches programmables.
37. **POWER:** ON/OFF.
- 38-39. **VOLUME +/-:** Modifier le volume.
41. **LEARN:** Programmation des touches.
Pression rapide: Rétro-éclairage des touches.

Note: la télécommande est rétro-éclairée.



Programmation des touches

1. Pressez longtemps le bouton LEARN (41) jusqu'à ce que le bouton ON soit allumé en Rouge (non clignotant).
2. Prenez la télécommande de la TV et pressez longuement la touche à apprendre (ex. Vol+) jusqu'au clignotement en Rouge du bouton ON de la télécommande Zappiti.
3. Prenez la télécommande Zappiti et pressez l'une des touches programmables à affecter au bouton enregistré (ex. Vol+).
4. Recommencez les opérations des points 2 et 3 pour les autres touches à programmer (37-40).
5. Pour terminer la programmation, pressez rapidement le bouton LEARN (41).

Note: Il est possible de connecter un clavier et une souris informatique au lecteur. Pour passer la reconnaissance du clavier en AZERTY, commencez par connecter votre clavier sur l'un des ports USB. Pressez la touche VERTE de la télécommande pour accéder aux réglages Android. Puis, cliquez sur Langues et saisie. Enfin, choisissez la langue française dans Clavier actuel, Clavier Android et Clavier Physique. Attention! La souris n'est pas compatible avec Zappiti Video, Zappiti Music et Zappiti Explorer. Mais elle peut être utile pour des applications tierces (GooglePlay).

NOTES :

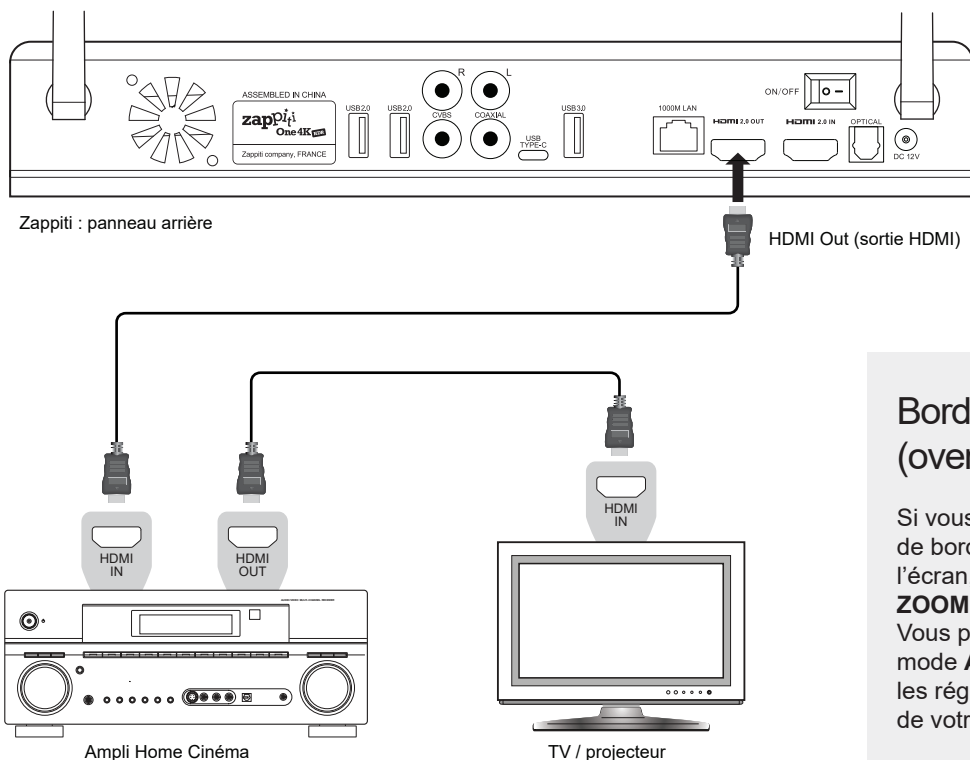
- Utilisez des piles de type AA et pensez à respecter la polarité des piles lors de l'insertion dans la télécommande.
- Retirez le film plastique de protection situé sur le logo Z en façade du Zappiti. Le récepteur IR est situé derrière.
- Si la télécommande ne fonctionne que sur une courte distance ou ne fonctionne pas du tout, remplacez les piles.
- Certaines touches de la télécommande peuvent avoir plusieurs fonctions selon le mode de lecture.
- Dirigez bien la télécommande vers le lecteur. Aucun obstacle ne doit se trouver entre la télécommande et le lecteur.

Démarrage

Pour la bonne marche du lecteur, assurez-vous d'avoir au moins 10 cm d'espace libre de part et d'autre du lecteur. Vérifiez que les piles sont correctement installées dans la télécommande et dans le bon sens de polarité. Connectez le lecteur Zappiti à votre téléviseur ou à tout autre équipement A/V de manière appropriée. Préférez l'utilisation de la connexion HDMI pour une qualité d'image et de son optimale. **ATTENTION !** Veillez à bien connecter votre TV sur le connecteur **HDMI OUT** et non sur le connecteur **HDMI IN** du lecteur Zappiti. Le câble HDMI fourni est compatible 4K et nous recommandons son usage. Si vous souhaitez utiliser un autre câble HDMI, vérifiez qu'il soit bien compatible 4K et surtout certifié 18 Gb/s (HDMI 2.0). Assurez-vous d'éteindre le lecteur ainsi que tous les équipements audio vidéo avant d'effectuer les branchements. Vérifiez bien que votre téléviseur et vos différents appareils soient bien configurés au niveau des entrées, puis allumez vos appareils en commençant par votre téléviseur, puis votre ampli ou votre barre de son et enfin allumez le lecteur Zappiti en commutant le bouton d'alimentation situé à l'arrière du lecteur sur « **ON** ». Vous devriez voir un logo « **Z** » de chargement puis la page d'accueil s'affichera.

En cas de problème lors de l'allumage, veuillez consulter la base de connaissances en ligne: zappiti.userservice.com/knowledgebase

Pour configurer le lecteur en Français, allez dans le menu suivant : **Settings / Personal / Language & input**. Le bouton **Settings** (illustré d'un engrenage sur la page d'accueil) vous permettra d'accéder aux réglages vidéo et audio. Vous pouvez également y accéder directement en pressant le bouton **VERT** de la télécommande. Pour configurer la langue et les sous-titres par défaut pour les contenus vidéo, pressez la touche **MENU** en cours de lecture vidéo, puis cliquez sur **Advance** et choisissez la langue par défaut de votre choix. Pour regarder vos films par défaut en **VF**, sélectionnez **OFF** dans les réglages des sous-titres par défaut. Pour la VOST, choisissez **Français** pour les sous-titres.



Bordure noire (overscan)



Si vous rencontrez un problème de bordure noire tout autour de l'écran, pressez la touche **ZOOM** de la télécommande (3). Vous pouvez aussi choisir le mode **Adapté à l'écran** dans les réglages de ratio d'image de votre TV.

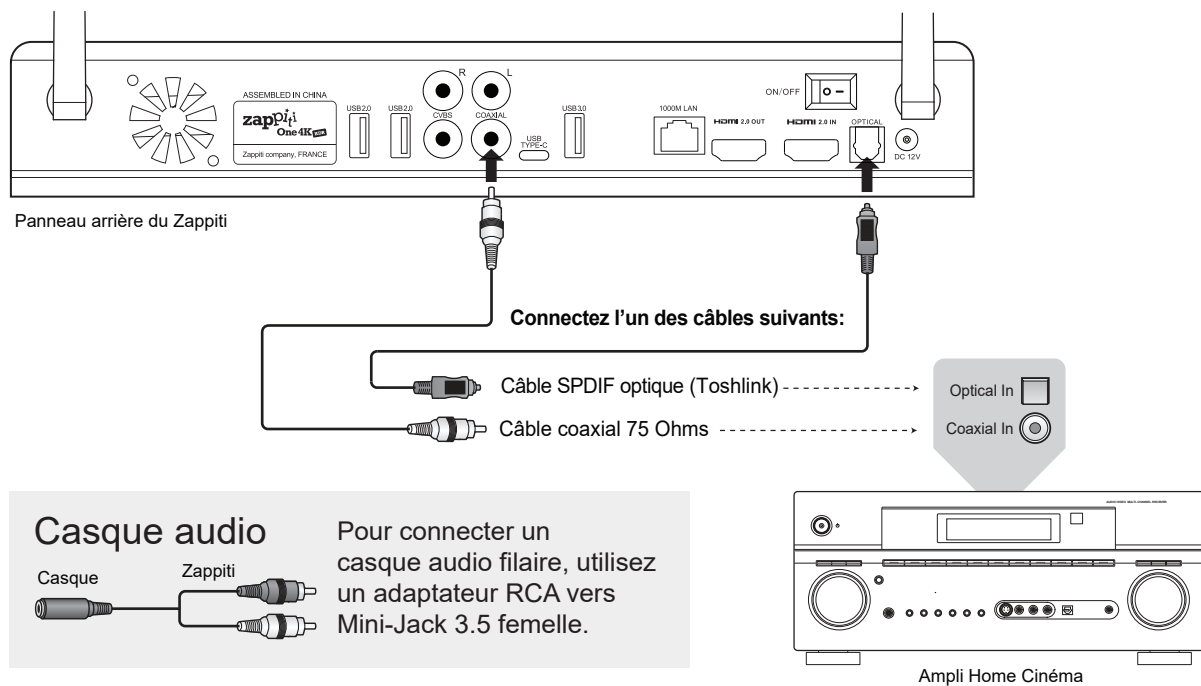
Mise à jour firmware

Pour accéder à la page de mise à jour firmware (micrologiciel), avec installation en ligne ou via USB, appuyez sur le bouton **BLEU** de la télécommande.

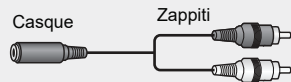
Réglages audio

La section Audio du menu Paramètres (Settings) vous permet de configurer les préférences pour les formats de sortie audio. Pour accéder aux paramètres audio, allez dans «**Settings / Son et notification**». Si vous utilisez un récepteur AV compatible HDMI et multicanal, réglez la **sortie HDMI** sur «**Auto**». Vous pouvez également le forcer sur «**RAW**» (Bitstream). Si votre récepteur AV n'est pas compatible HDMI, réglez la sortie **S/PDIF** sur «**RAW**» (bitstream) pour une configuration en multicanal, ou «**LPCM 2Ch**» pour une configuration en stéréo.

Forcer l'Audio en SD: Le S/PDIF ne prend pas en charge l'audio HD. Pour convertir l'audio HD en audio SD (DTS-HD en DTS ou Dolby TrueHD en Dolby Digital), activez l'option **Forcer l'Audio en SD** située dans Settings / Options développeurs ou en passant par **MENU / Advance Settings** en cours de lecture vidéo. En savoir plus: zappiti.uservice.com/knowledgebase



Casque audio



Pour connecter un casque audio filaire, utilisez un adaptateur RCA vers Mini-Jack 3.5 femelle.

Casque sans fil

Pour éviter les problèmes de synchronisation audio-vidéo, lors de la lecture vidéo, préférez un casque sans fil compatible avec la technologie **AptX Low Latency**.

Réglages vidéo

Par défaut, le lecteur Zappiti peut ajuster automatiquement la sortie vidéo. Mais vous pouvez sélectionner manuellement la résolution et la fréquence de sortie. Pour forcer la résolution de sortie, activez l'option **Ignorer l'EDID HDMI** dans les options **Paramètres/Options pour les développeurs**. Ensuite, revenez aux réglages généraux, en appuyant sur le bouton **BACK** de votre télécommande, et allez dans **Affichage**. Vous pourrez y voir tous les modes de sortie disponibles en activation manuelle, mais le mode Auto ne sera plus accessible. Pour ajuster l'espace de couleur et le Deep Color (8/10/12-bit), allez dans **Settings/Options pour les développeurs**. Si votre TV ou projecteur est compatible, nous vous conseillons le mode **Y'CbCr 4:4:4 / 10 Bits** pour les meilleures performances vidéo.

Remarque: l'auto-framerate est toujours actif même si vous forcez une résolution / fréquence spécifique. D'autre part, le réglage manuel de la résolution peut engendrer des problèmes avec certains appareils. Nous vous recommandons donc d'utiliser le mode **Résolution Auto**.

Utilisez les touches **GAUCHE, DROITE, HAUT, BAS**, pour naviguer dans les menus, **OK** pour valider et **RETURN** pour revenir en arrière ou arrêter la lecture en cours. Utilisez la touche **MENU** de la télécommande pour afficher la liste des commandes disponibles. Utilisez la touche **INFO** pour afficher les informations techniques disponibles en cours de lecture.

La page d'accueil du lecteur Zappiti propose 3 applications, à savoir : **Video, Music** et **Explorer**.

Zappiti Video

Zappiti Video est une application de gestion de collections de films et séries TV. Zappiti Video organise votre collection de vidéos dématérialisées, avec téléchargement automatique des posters, synopsis, infos, acteurs, fonds d'écran, note, etc., classement automatique par catégorie, filtres de tri, moteur de recherche, contrôle parental, téléchargement de sous-titres, bandes annonces, etc.

Zappiti Music

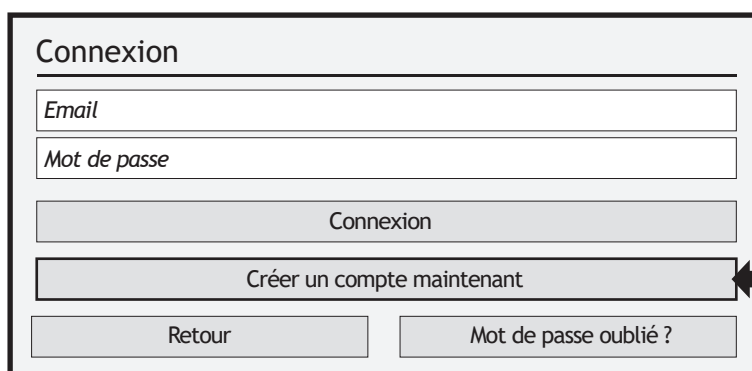
Zappiti Music est une application dédiée à la lecture musicale, conçue pour les lecteurs Zappiti. Grâce à Zappiti Music, vous pouvez profiter pleinement de votre bibliothèque musicale, et organiser vos listes de lecture de manière simple. Avec Zappiti Music, vous pouvez lire votre musique préférée stockée n'importe où sur votre réseau domestique ou sur un disque local connecté à votre lecteur multimédia Zappiti. Vous pouvez aussi contrôler la lecture musicale de votre Zappiti TV éteinte, à l'aide d'une tablette ou d'un smartphone iOS ou Android.

Zappiti Explorer

Zappiti Explorer est un gestionnaire de fichiers. Cette application permet d'explorer et de lancer de manière simple la lecture de vos fichiers vidéo, photo et audio mais propose également de nombreuses fonctionnalités multimédia avancées telles que : des fonctions copier, coller, couper, renommer, supprimer, une fonction de diaporama musical, des fonctions de lecture enchaînée, aléatoire, etc. Pour utiliser les fonctions avancées, pressez la touche **MENU** de la télécommande.

Enregistrement

Avant de commencer à utiliser les applications Zappiti, vous devez créer un compte Zappiti et enregistrer votre appareil. Commencez par connecter votre lecteur multimédia à Internet via Wi-Fi ou Ethernet. Lancer l'une des applications et sélectionnez votre langue. Ensuite, suivez les instructions à l'écran. Si vous n'avez jamais utilisé Zappiti auparavant et si vous n'avez pas de compte Zappiti, veuillez cliquer sur **Créer un compte maintenant**.



Connexion

Email

Mot de passe

Connexion

Créer un compte maintenant

Retour

Mot de passe oublié ?

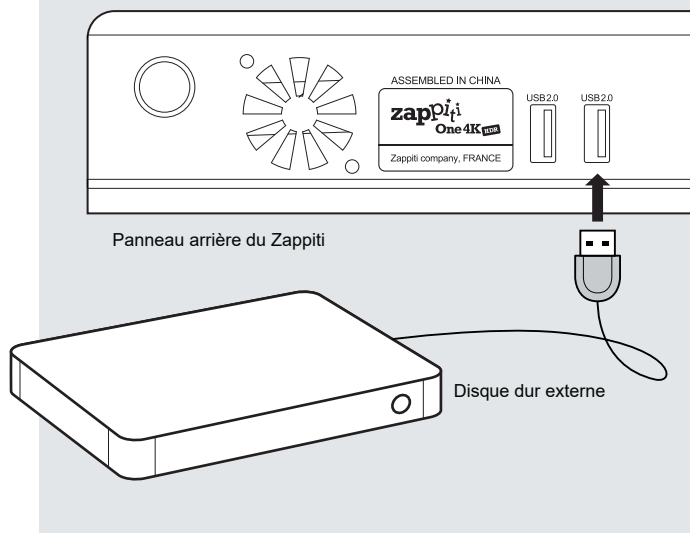
Cliquez ici pour créer un compte Zappiti

Ensuite, vous serez invité à saisir votre numéro de **Token** Zappiti. Le numéro de Token est imprimé sur un autocollant collé sous le boîtier du lecteur Zappiti. Vous n'aurez à le renseigner qu'une seule fois. Ensuite, toutes les informations de votre compte seront sauvegardées dans la mémoire interne du lecteur.

Si vous n'avez pas de connexion Internet, vous pouvez explorer vos fichiers via : **MyApps / MediaBrowser**

Disque dur externe

Si vous utilisez un disque dur externe 2,5", veuillez utiliser le câble USB fourni avec votre disque dur pour des performances optimales.



Périphérique USB

Vous pouvez connecter vos disques durs ou clés USB à l'un des ports USB disponibles. Si vous voulez lire des fichiers vidéo, l'USB 2.0 est suffisant pour supporter un débit très élevé (jusqu'à 480 Mbps). Si vous souhaitez transférer des fichiers, nous vous conseillons d'utiliser les ports USB 3.0 ou USB Type-C.

Note: Une icône USB située en haut à droite de la page d'accueil peut vous aider à détecter si le périphérique est correctement connecté. L'icône est grisée lorsque aucun matériel USB n'est reconnu et blanche s'il est reconnu.

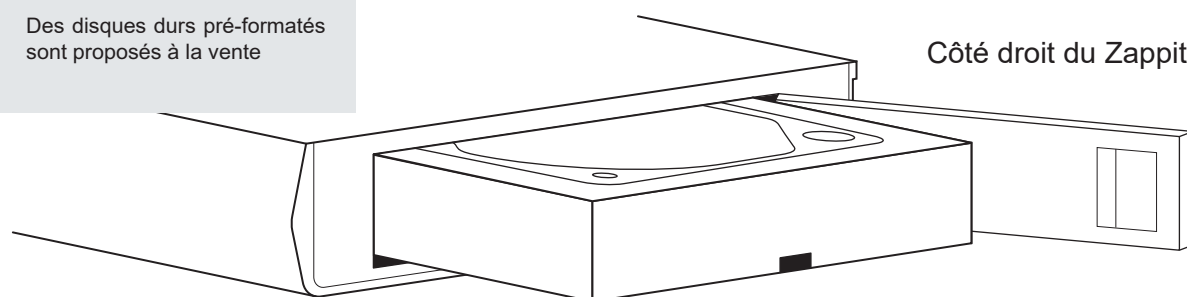
L'alimentation fournie par les ports USB peut ne pas être suffisante pour le bon fonctionnement des disques durs USB. Veuillez ne pas débrancher ou éteindre le lecteur USB pendant les opérations d'écriture (copie).

Les lecteurs Zappiti sont compatibles avec les stations d'accueil pour disque dur utilisant le protocole **UASP**, ainsi qu'avec les **multiprises USB (Hub)**.

Disque dur interne

Pour insérer un disque dur interne SATA de 3,5 pouces, ouvrez la porte du rack HDD, puis insérez-y le disque dur jusqu'au 3/4, puis terminez l'insertion en fermant la porte. Cela aura pour effet de pousser le disque dur jusqu'à sa connexion au port SATA situé au fond du rack. Le lecteur multimédia Zappiti est compatible avec les disques durs formatés en NTFS (WINDOWS), ExFAT, FAT16, FAT32, HFS (MAC OS), EXT 2/3 (LINUX). Pour connecter un disque interne 2.5", utilisez un boîtier d'adaptation. *Assurez-vous que votre disque dur est correctement formaté avec des tables d'allocations de 64 Ko. Attention! Les disques durs dédiés aux serveurs NAS ne sont pas compatibles. Pour plus d'infos, veuillez consulter la **base de connaissance**: zappiti.uservoice.com/knowledgebase*

Des disques durs pré-formatés sont proposés à la vente



Ouvrez la trappe et insérez le disque, connecteurs vers le fond.

Utiliser une carte mémoire SD Card / MMC

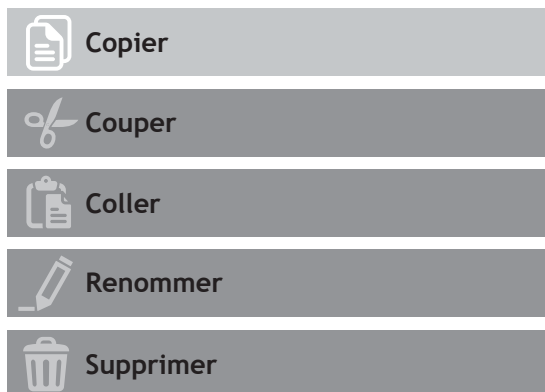
Pour utiliser une carte mémoire, insérez-la dans la fente dédiée située sur le côté gauche du lecteur. Elle sera détectée comme périphérique USB (icône USB sur la page d'accueil). Certaines cartes mémoire SD peuvent ne pas être reconfigurées par le lecteur ou mal fonctionner. Dans ce cas, utilisez un autre modèle de carte mémoire.

Accès réseau

Le lecteur Zappiti est compatible Samba Server (**SMB**). Vous pouvez ainsi explorer et lire vos vidéos, images et musiques situées sur votre réseau local (NAS, ordinateurs, ...) en qualité optimale et de manière fluide. Pour accéder à votre Zappiti en réseau, saisissez son **adresse IP** dans l'explorateur de fichiers de votre ordinateur. Par exemple: \\192.168.1.15. Pour connaître l'adresse IP de votre Zappiti, allez dans **Settings / Configuration Ethernet**. Pour en savoir plus sur les autres fonctions réseau telles que **FTP Server** ou **DLNA Server** (MiniDLNA / UPnP), consultez la base de connaissance: zappiti.uservoice.com/knowledgebase

Le lecteur Zappiti propose également la fonction Zappiti Share (**SMB Server**) pour accéder à vos fichiers vidéo, photo et audio situés sur le disque dur interne (ou lecteur local connecté en USB au lecteur multimédia) depuis un autre lecteur multimédia Zappiti (toutes générations) connecté au réseau. Il est ainsi possible de lire jusqu'à 5 fichiers vidéo en même temps depuis plusieurs pièces de la maison et cela sans serveur NAS ou ordinateur. Pour profiter de cette fonction, configurez l'accès aux dossiers de Zappiti Video en choisissant **Zappiti Share** au lieu de Disque locaux.

Copiez et gérez vos fichiers avec Zappiti Explorer



Zappiti Explorer est un Explorateur de fichiers, mais aussi un gestionnaire de fichiers complet proposant des fonctions telles que: Copier, Couper, Coller, Sélectionner, Sélectionner tout, Supprimer, et Renommer. Zappiti Explorer est aussi multi-tâches. Pour accéder à ces fonctions et au gestionnaire de tâches, pressez le bouton **MENU** de la télécommande du Zappiti.

Options de lecture vidéo et audio

Le **MENU** de Zappiti Explorer permet également d'accéder à différentes options de lecture vidéo et audio telles que l'enchaînement de lecture des fichiers, lecture en boucle, ...

Fonction diaporama

Zappiti Explorer propose une fonction diaporama avec fondus enchaînés et effets de transitions. Pour accéder aux réglages d'affichage du diaporama dont la durée d'enchaînement des photos, les transitions et les effets, pressez la touche **MENU** de la télécommande (diaporama arrêté). Pour associer une musique à un diaporama, placez simplement un fichier audio dans le dossier contenant vos photos. Si plusieurs fichiers audio se trouvent dans le même dossier que les photos, les pistes s'enchaîneront les unes après les autres dans l'ordre alphanumérique.

Touche Info

Pour afficher les infos techniques complètes du fichier en cours de lecture, pressez la touche **INFO** de la télécommande. Vous y trouverez en particulier, le débit, le codec, la résolution...

Installer une application tierce

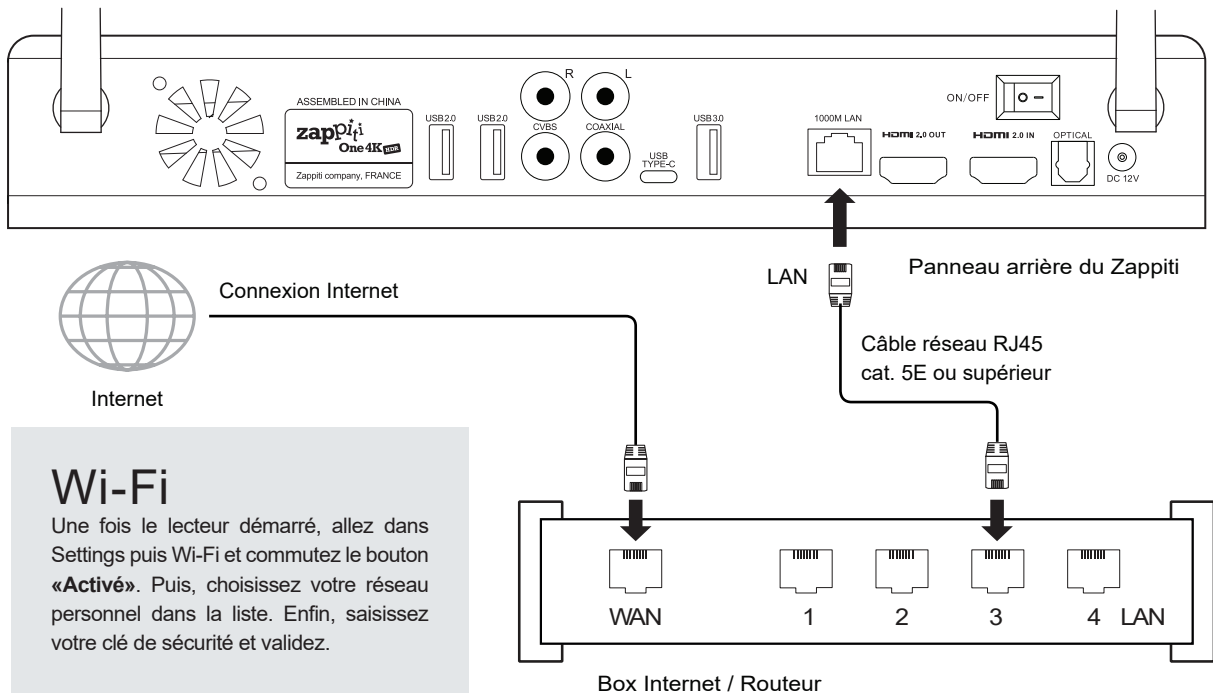
Pour installer une nouvelle application, allez dans **MyApps / AptoideTV**. Vous trouverez de nombreuses applications dédiées aux lecteurs multimédias qui peuvent être contrôlées par télécommande. Vous pouvez aussi utiliser le **GooglePlay**, mais certaines applications seront incompatibles avec le Zappiti. Si vous souhaitez installer un fichier **APK** depuis une clé USB, utilisez **Zappiti Explorer** ou **MediaBrowser**.

Ajouter un raccourci

Pour ajouter un raccourci vers une application favorite sur la page d'accueil, cliquez sur l'icône **+** et sélectionnez votre application préférée pour l'ajouter à la page d'accueil.

Ethernet

Pour une connexion réseau rapide et stable, nous vous recommandons d'utiliser la connexion Ethernet. Branchez une extrémité d'un câble réseau (câble Ethernet droit) dans le port **LAN** à l'arrière du lecteur Zappiti (Catégorie 5E ou plus). Ensuite, branchez l'autre extrémité du câble réseau dans le port **LAN** de votre box, routeur ou votre switch Ethernet si vous en utilisez un. La configuration est automatique. *Notez que certains switches réseau peuvent parfois générer des problèmes de saccades vidéo.*



Wi-Fi

Une fois le lecteur démarré, allez dans Settings puis Wi-Fi et commutiez le bouton «**Activé**». Puis, choisissez votre réseau personnel dans la liste. Enfin, saisissez votre clé de sécurité et validez.

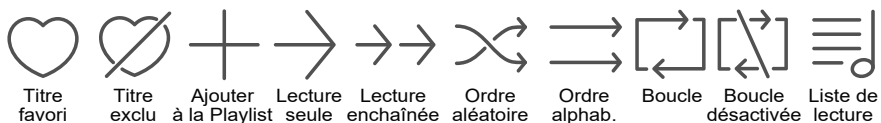
Bluetooth

Le lecteur Zappiti est compatible avec les appareils utilisant la technologie Bluetooth. Pour accéder à la liste des appareils accessibles en Bluetooth, allez dans **Settings / Bluetooth**. Puis commutiez l'interrupteur sur «**Activé**».

Mirroring audio et vidéo

Pour plus d'informations à propos de la fonction mirroring audio et vidéo, veuillez rechercher avec le mot clé "**mirroring**" en utilisant le moteur de recherche dans la **Base de Connaissance** ici: zappiti.uservice.com/knowledgebase

Zappiti Music



Sur la page d'accueil du Zappiti, vous trouverez Zappiti Music, une application dédiée à la lecture musicale. Utilisez les boutons **HAUT / BAS** pour parcourir vos dossiers musicaux. Utilisez le bouton **FLECHE DROITE** de la télécommande pour accéder aux options supplémentaires. Cliquez sur l'icône **Favori** pour ajouter la piste choisie aux favoris. Cliquez 2 fois sur l'icône **Favori** pour marquer la piste en cours comme piste exclue. Pour créer le raccourci d'un dossier, sélectionnez un dossier, pressez la touche **MENU** et cliquez sur **Créer un raccourci**. Le raccourci sera placé sur la page d'accueil de Zappiti Music. Cliquez sur **Q** pour filtrer un titre musical (ou plusieurs) en saisissant un mot-clé.

Contrôlez votre Zappiti via tablette / smartphone

Vous pouvez aussi contrôler la lecture de musique et de vidéo à l'aide des applications dédiées **Zappiti Video Control** et **Zappiti Music Control** disponibles pour iOS / Android. Installation: Allumez votre tablette / smartphone, puis rendez-vous sur le **Play Store** (Android) ou dans l'**App Store** et recherchez l'app à l'aide des mots clés « **Zappiti control** » et installez l'app. Ensuite, lancez l'app et entrez vos identifiants de compte Zappiti. Vous aurez accès à vos vidéos et pourrez contrôler la lecture musicale sans avoir besoin d'allumer votre télévision.

Créer une collection de films / séries avec Zappiti Vidéo

Avant de commencer à utiliser Zappiti, vous devez créer 2 dossiers distincts sur votre espace de stockage dans lequel vous ajouterez tous vos films et tous vos épisodes de séries TV:

Films

1. Créez un dossier « **FILMS** » et placez-y tous vos films et concerts.
2. Renommez les fichiers de vos films avec le nom exact du film. Par exemple le fichier du film « Metropolis » au format MKV devra être nommé « Metropolis.mkv ».

Séries

1. Créez un dossier « **SERIES** » et placez-y toutes vos Séries TV.
2. Vos fichiers d'épisodes doivent être placés dans un dossier dédié à chaque saison. Puis les dossiers des saisons doivent être placés dans un dossier nommé « **SERIES** ». Les fichiers des épisodes doivent être nommés de la manière suivante : « **nomserie s01e01** ». Le format « **nomserie 1x01** » est également supporté. Utilisez « **s00e01** » pour les épisodes spéciaux.

Allumez votre lecteur Zappiti. Sur la page principale, cliquez sur le premier bouton intitulé **VIDEO**. Choisissez votre langue et saisissez vos identifiants Zappiti. Si vous n'avez pas encore de compte Zappiti, nous vous invitons à en créer un (voir page 25). Puis, cliquez sur le bouton **Connexion** situé en bas de la fenêtre.

Dans l'écran de configuration des dossiers, cliquez sur **Ajouter un dossier contenant vos films** (ou séries). Si vos fichiers sont sur un espace de stockage local (disque dur ou clé USB connecté au Zappiti), choisissez **Disques locaux** dans la liste. Si vous avez plusieurs lecteurs, choisissez **Zappiti Share**. Naviguez ensuite jusqu'au dossier **FILMS** (ou **SERIES**), puis cliquez sur le bouton **OK** au bas de la fenêtre une fois à l'intérieur du dossier que vous souhaitez ajouter.

Attention! Si vous cliquez sur OK alors que naviguez dans un sous-dossier situé à l'intérieur du dossier FILMS, seuls les films situés dans ce sous-dossier seront analysés. Il ne faut pas rajouter chaque dossier contenant un film mais uniquement le dossier principal contenant tous les films, même si vous avez des sous-dossiers. Zappiti analysera automatiquement les sous-dossiers.

Votre dossier sera ajouté à la liste des dossiers à analyser. Le nom du dossier ajouté doit apparaître entre le bouton **Films** (ou **Séries**) et le bouton **Editer**. Si le chemin du dossier ne semble pas correct, vous pouvez utiliser le bouton **Editer**. Si vous désirez supprimer un dossier de cette liste, cliquez sur le bouton **Supprimer** (cela ne supprimera pas vos fichiers sur le disque dur mais uniquement le dossier d'indexation). Vous pouvez ajouter d'autres dossiers en répétant la procédure ci-dessus.

Une fois ajouté votre ou vos dossiers **FILMS**, quittez cet écran en pressant la touche **Retour** de la télécommande. Zappiti lancera l'analyse et référencera tous vos fichiers vidéo situés dans les dossiers **FILMS** et **SERIES** précédemment référencés. Un panneau d'information s'affiche ensuite vous indiquant les différentes tâches en cours. Pour le quitter, pressez la touche **RETOUR**. Pour réafficher le panneau de tâches en cours, pressez la touche **MENU**, puis cliquez sur **Tâches en cours**.

La configuration est terminée. Vous pouvez désormais profiter de votre collection de films et séries TV.
Plus d'info: zappiti.uservoice.com/knowledgebase

Pour accéder au panneau de configuration, Pressez le bouton **MENU**. Vous y trouverez de nombreuses options telles que: langue, traductions, thèmes, bandeaux, reflet, contrôle parental, identification au démarrage, compte, tokens, etc.

Utilisation de Zappiti Vidéo

TOUS

Vous y trouverez toutes vos vidéos (films et séries TV), triées par ordre alphabétique.

FILMS

Cette section contient tous vos films.

SÉRIES

Cette section contient toutes vos séries et vos épisodes.

RÉCENTS

Vous y trouverez les dernières vidéos analysées.

CATÉGORIES

Vos vidéos sont classées ici par catégorie (ou genre).

```
/storage/HDD/Films
Storage ID: 0000000000000000
```

Si le Storage ID indique «00000000», cela signifie que Zappiti ne peut pas écrire sur le disque dur. Dans ce cas, reformatez ou remplacez le disque .

Pour accéder à de plus amples fonctionnalités, pressez la touche **MENU** de la télécommande.

Ajout d'un fichier de film

Lorsque vous ajoutez un fichier de film dans votre dossier "Films", Zappiti l'indexera automatiquement au prochain redémarrage de l'application. Pour forcer l'analyse, utilisez l'option dédiée située dans le menu (touche **MENU** de la télécommande).

Suppression d'un fichier de film

Pour supprimer un film, pressez la touche **MENU** puis cliquez sur **Supprimer**.

Film ou épisode non trouvé

Même lorsque vos fichiers ne sont pas nommés correctement avec uniquement le titre du film (ou de la série TV), Zappiti arrive dans la plupart des cas à identifier les films mais uniquement lorsqu'un utilisateur Zappiti a déjà précédemment identifié le même fichier que vous. En effet, Zappiti Db est une base de données propriétaire communautaire et participative. Mais si votre fichier est unique (par exemple si vous l'avez recompressé) ou qu'il n'a jamais été identifié manuellement par un autre utilisateur Zappiti, il ne sera pas identifié. Dans ce cas, suivez cette procédure:

Pressez la touche **MENU** et cliquez sur **X à identifier**. Vous verrez la liste des fichiers non identifiés. Puis, cliquez sur le bouton **Identifier...** Dans le champ de recherche vous pouvez resaisir le nom du film et cliquer sur **Chercher**. Mais une autre technique fiable à 100% consiste à saisir le code d'identification unique du film à la place du nom du film. Le code d'identification IMDb, TMDb ou TVDb se trouve dans l'URL de la fiche descriptive du film. Par exemple, pour le film *Terreur dans le Shanghai-Express* (1972), l'URL sera : <https://www.themoviedb.org/movie/32613-horror-express>. L'ID est donc: **32613**. Dans le champ de saisie, entrez le code ID « **32613** », puis validez. Le film sera identifié correctement. Si un film est incorrectement identifié, sélectionnez-le dans la liste des films, pressez la touche **MENU**, puis cliquez sur **Identifier de nouveau** et utilisez la méthode décrite ci-dessus. Si votre film ou série n'existe pas sur TMDb ou TVDb, vous pouvez créer une fiche de film ou de série. Il vous suffit pour cela de créer un compte sur TMDb ou TVDb. Les films ou séries créés seront ensuite visibles par Zappiti.

Fichiers 3D et UHD

Les fichiers **ISO BD 3D**, **ISO UHD** et **ISO 4K** ainsi que les dossiers **BDMV** pour **3D** et **4K / UHD** ne sont pas identifiés automatiquement. Pour identifier le conteneur, ajoutez les balises suivantes dans le nom:

Fichiers 3D: "3D" (exemple: "Metropolis.3D.iso").

Fichiers UHD: "UHD" ou "ULTRAHD" ou "ULTRA-HD" (exemple: "Metropolis.UHD.iso").

Fichiers 4K: "4K" ou "4096" (exemple: "Metropolis.2160x4096.iso").

Contôle parental

Pour marquer un film comme **Autorisé aux enfants**, sélectionnez un film (ou un groupe), puis pressez le bouton **MENU** et cliquez sur **Autoriser aux enfants**. Entrez ensuite un code PIN à 4 chiffres.

Code parental

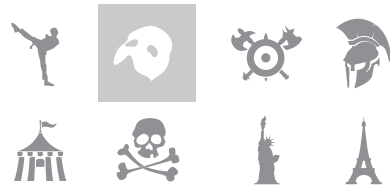
Veillez saisir un code PIN à 4 chiffres. Ce code vous permettra de verrouiller votre collection et restreindre l'accès aux films marqués en tant que « Autorisé pour enfants ».

* 7 □ □

Annuler

Catégories personnelles

Par défaut, les films et les séries TV sont automatiquement associés à des catégories. Mais vous pouvez créer vos propres catégories et associer manuellement vos films. Pour créer une catégorie, allez dans les catégories, puis pressez la touche **MENU** de la télécommande et cliquez sur **Créer une catégorie**. Saisissez un **nom** et choisissez une **icône**. Le menu contextuel donne également accès à des options supplémentaires pour les catégories telles que : modifier la position, éditer ou supprimer.



Zappiti Video au démarrage

Pour activer l'option, lancez Zappiti Vidéo, pressez **MENU**, allez dans **Configuration**/second onglet et activez l'option dans la liste.

Démarrage automatique

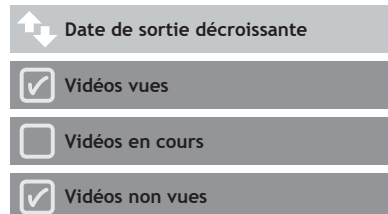
Ouvrir Zappiti Video automatiquement au démarrage du lecteur



Filtres et tris

Pour trier vos films, pressez la touche **MENU**. Puis, dans section **Filtres et tris**, cliquez sur le premier élément. Sélectionnez ensuite le tri souhaité: A à Z, Date de sortie, Durée, Ajout... Pour filtrer vos films, cliquez sur l'option suivante: Vu, En cours ou Non vu.

Filtres et tris



Options d'affichage des sous-titres

Pour modifier les options d'affichage des sous-titres telles que la couleur, la position, ou la synchro, pressez la touche **MENU** de la télécommande en cours de lecture, puis allez dans **Subtitle** et modifiez l'option de votre choix. Pour modifier la position verticale des sous-titres Blu-ray (**PGS**), allez dans la section **ADVANCE**, puis cliquez sur **PGS Subtitle Offset** et modifiez la position des sous-titres.

Codes IR / IP

Vous pouvez contrôler votre lecteur multimédia Zappiti en utilisant des périphériques tiers tels que RTI, ProControl, Control4, Crestron, Logitech...

Plus d'info:

[zappiti.userservice.com/
knowledgebase](http://zappiti.userservice.com/knowledgebase)

Assistance utilisateur et Zappiti Db

Vous pouvez contacter l'**assistance utilisateur** à l'adresse: tickets@zappiti.userservice.com

Pour rejoindre la **communauté Zappiti Db** et participer à la création graphique de posters, contactez-vous

Mode usine

Pour réinitialiser le lecteur: **MyApps / Factory Reset**.

zap*o*l*o*t*i*TM

