

**HR-100/HR-150**  
Handheld Remote, 34/50 Button

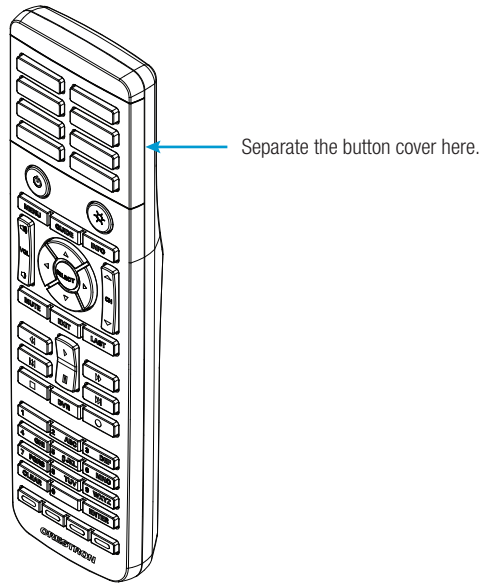


**DO** Change the Buttons and the Cover

The HR-100 and HR-150 ship with all of the buttons installed (four on the HR-100 and eight on the HR-150). Both remotes can be used with none of the buttons installed or two of the buttons installed. The HR-150 can also be used with four or six buttons installed. Both remotes ship with alternate button covers.

To change the buttons and the cover, use the following procedure:

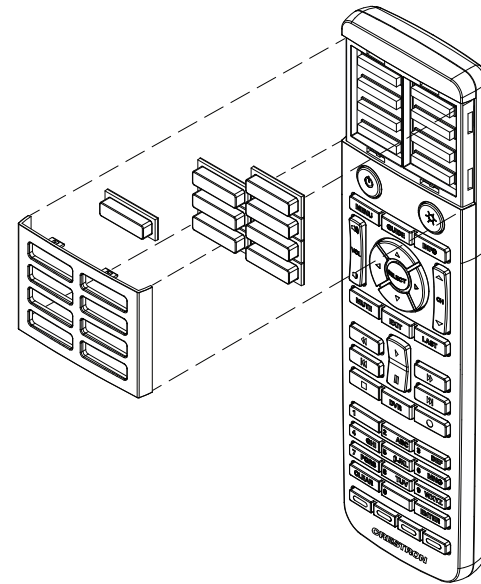
1. Gently separate the button cover from the remote.



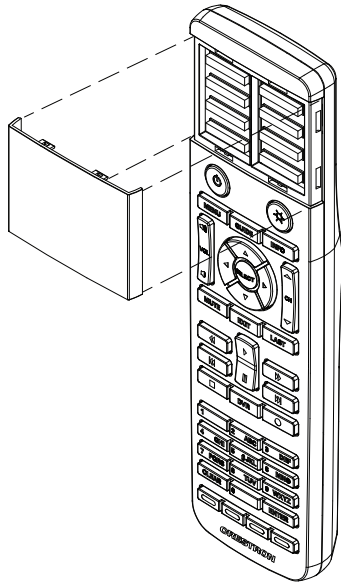
**DO** Check the Box

QTY	PRODUCT	PART NUM.
2	Batteries, AAA Alkaline, x2	2041725
1	Keycaps, 100	4521158
<b>Items for HR-100 Only</b>		
1	Cover, Button, Removable, 2-Button	4520730
1	Cover, Button, Removable, No Button	4520731
<b>Items for HR-150 Only</b>		
1	Cover, Button, Removable, 6-Button	4520696
1	Cover, Button, Removable, 4-Button	4520697
1	Cover, Button, Removable, 2-Button	4520761
1	Cover, Button, Removable, No Button	4520695

2. Remove the buttons as desired.



3. Gently snap the appropriate new button cover into place.



## DO Acquire the Remote

Before an HR-100 or HR-150 can be used with a Crestron® control system, it must first be acquired by an infiNET EX® Wireless Gateway or a control system with a built-in infiNET EX gateway (all sold separately).

1. Press the **ACQUIRE** button on the gateway to enter Acquire mode.
2. On the HR-100 or HR-150, press the **Backlight** (⊛) button four times, holding it down on the fourth press (press, press, press, press+hold). After a few seconds, the backlight flashes, indicating the remote is now in Acquire mode. The remote is automatically acquired by the gateway within two minutes. When the remote has joined the network, the backlight turns on for five seconds.
3. When the process is complete, press the **ACQUIRE** button on the gateway to exit Acquire mode.

## DO Learn More

Visit the website for additional information and the latest firmware updates. To learn more about this product, use a QR reader application on your mobile device to scan the QR images.

### Crestron Electronics

15 Volvo Drive, Rockleigh, NJ 07647  
888.CRESTRON | www.crestron.com

HR-100



HR-150



**CE** As of the date of manufacture, the product has been tested and found to comply with specifications for CE marking.

### Federal Communications Commission (FCC) Compliance Statement

This device complies with part 15 of the FCC Rules. Operation is subject to the following conditions:

(1) This device may not cause harmful interference and (2) this device must accept any interference received, including interference that may cause undesired operation.

**Caution:** Changes or modifications not expressly approved by the manufacturer responsible for compliance could void the user's authority to operate the equipment.

**Note:** This equipment has been tested and found to comply with the limits for a Class B digital device, pursuant to part 15 of the FCC Rules. These limits are designed to provide reasonable protection against harmful interference in a residential installation. This equipment generates, uses and can radiate radio frequency energy and, if not installed and used in accordance with the instructions, may cause harmful interference to radio communications. However, there is no guarantee that interference will not occur in a particular installation.

If this equipment does cause harmful interference to radio or television reception, which can be determined by turning the equipment off and on, the user is encouraged to try to correct the interference by one or more of the following measures:

- Reorient or relocate the receiving antenna.
- Increase the separation between the equipment and receiver.
- Connect the equipment into an outlet on a circuit different from that to which the receiver is connected.
- Consult the dealer or an experienced radio/TV technician for help.

### Industry Canada (IC) Compliance Statement

This device complies with Industry Canada license-exempt RSS standard(s). Operation is subject to the following two conditions: (1) this device may not cause interference and (2) this device must accept any interference, including interference that may cause undesired operation of the device.

Under Industry Canada regulations, this radio transmitter may only operate using an antenna of a type and maximum (or lesser) gain approved for the transmitter by Industry Canada. To reduce potential radio interference to other users, the antenna type and its gain should be so chosen that the equivalent isotropically radiated power (e.i.r.p.) is not more than that necessary for successful communication.

### Industrie Canada (IC) Déclaration de conformité

Le présent appareil est conforme aux CNR d'Industrie Canada applicables aux appareils radio exempts de licence. L'exploitation est autorisée aux deux conditions suivantes : (1) l'appareil ne doit pas produire de brouillage, et (2) l'utilisateur de l'appareil doit accepter tout brouillage radioélectrique subi, même si le brouillage est susceptible d'en compromettre le fonctionnement.

Conformément à la réglementation d'Industrie Canada, le présent émetteur radio peut fonctionner avec une antenne d'un type et d'un gain maximal (ou inférieur) approuvé pour l'émetteur par Industrie Canada. Dans le but de réduire les risques de brouillage radioélectrique à l'intention des autres utilisateurs, il faut choisir le type d'antenne et son gain de sorte que la puissance isotrope rayonnée équivalente (p.i.r.e.) ne dépasse pas l'intensité nécessaire à l'établissement d'une communication satisfaisante.

Crestron product development software is licensed to Crestron dealers and Crestron Service Providers (CSPs) under a limited non-exclusive, non-transferable Software Development Tools License Agreement. Crestron product operating system software is licensed to Crestron dealers, CSPs, and end-users under a separate End-User License Agreement. Both of these Agreements can be found on the Crestron website at [www.crestron.com/legal/software\\_license\\_agreement](http://www.crestron.com/legal/software_license_agreement).

The specific patents that cover Crestron products are listed at <http://www.crestron.com/legal/patents>.

The product warranty can be found at [www.crestron.com/warranty](http://www.crestron.com/warranty).

Certain Crestron products contain open source software. For specific information, please visit [www.crestron.com/opensource](http://www.crestron.com/opensource).

Crestron, the Crestron logo, infiNET EX, and the infiNET EX logo are either trademarks or registered trademarks of Crestron Electronics, Inc. in the United States and/or other countries. Other trademarks, registered trademarks, and trade names may be used in this document to refer to either the entities claiming the marks and names or their products. Crestron disclaims any proprietary interest in the marks and names of others. Crestron is not responsible for errors in typography or photography.

This document was written by the Technical Publications department at Crestron.

©2016 Crestron Electronics, Inc.