

CXC



Published at 28 April 2022. Last revised at 17 February 2026

Table of Contents

- Introduction
- What's included with the CXC?
- Front panel controls
- Operating instructions
- Setup menu
- Control bus

- Rear panel connections
- Remote control
- Getting connected
- Troubleshooting
- Technical specifications
- Frequently Asked Questions (FAQ)

Introduction

This guide is designed to make installing and using this product as easy as possible. Information in this document has been carefully checked for accuracy at the time of printing; however, Cambridge Audio's policy is one of continuous improvement, therefore design and specifications are subject to change without prior notice.

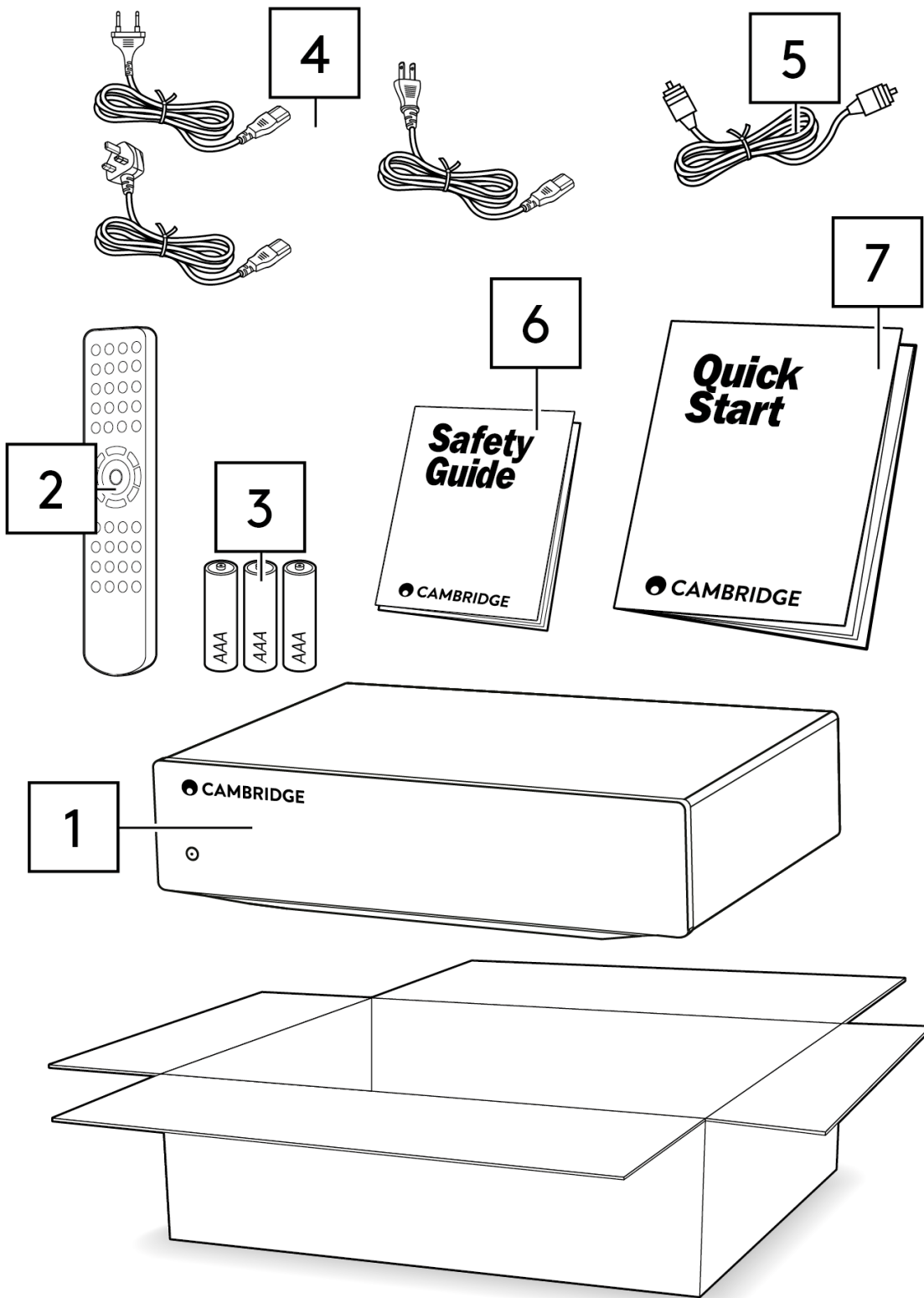
This document contains proprietary information protected by copyright. All rights are reserved. No part of this manual may be reproduced by any mechanical, electronic or other means, in any form, without prior written permission of the manufacturer. All trademarks and registered trademarks are the property of their respective owners.

© Copyright Cambridge Audio Ltd document.write(new Date().getFullYear());

For upcoming news on future products, software updates and exclusive offers, make sure you register your product at <https://www.cambridgeaudio.com/register>

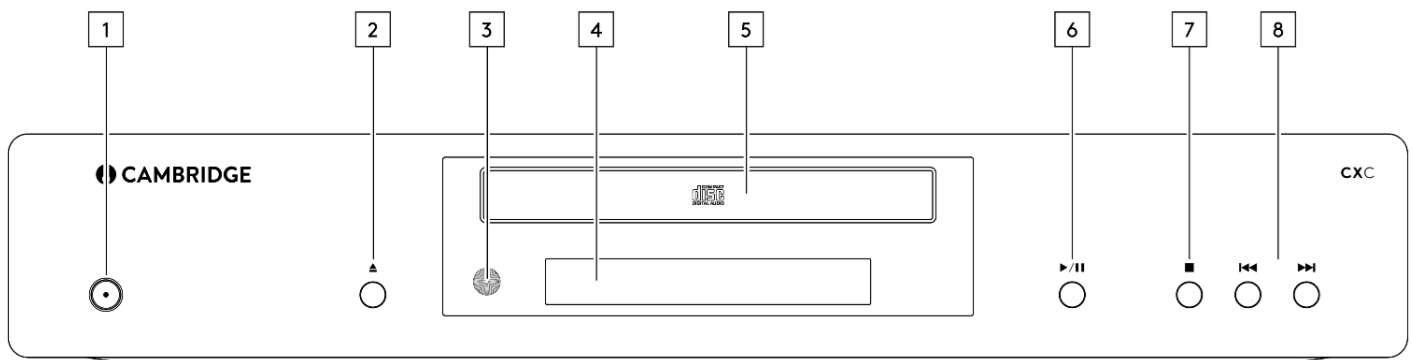
What's included with the CXC?

Inside the box of your CXC you will receive:



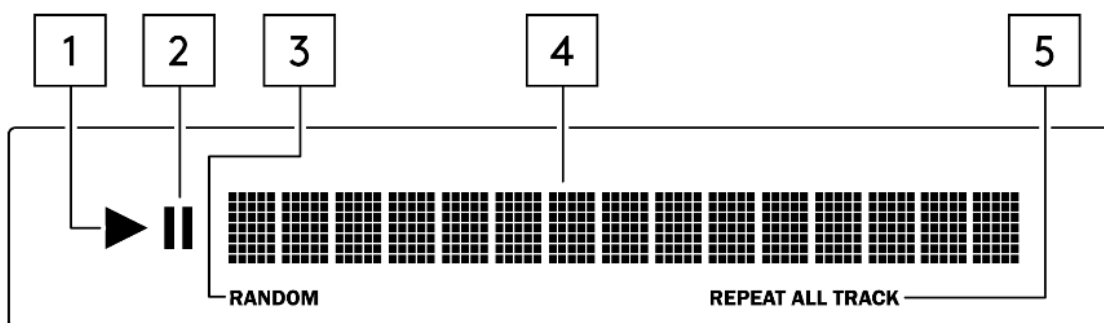
1. CXC CD Transport
2. Remote Control
3. 3 x AAA Batteries
4. UK power cord (5A fused) (Depending on which country the CXC was purchased in), EU power cord (Depending on which country the CXC was purchased in), CU power cord (Depending on which country the CXC was purchased in)
5. Orange Control bus cable.
6. Safety Guide
7. Quickstart Guide

Front panel controls



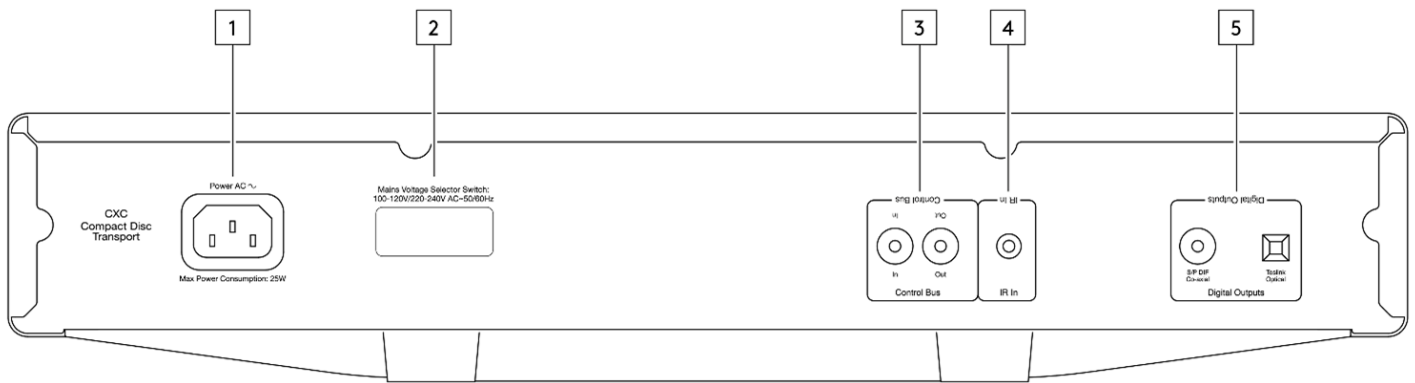
- 1. Standby/On** – Switches the unit between low-power standby mode (indicated by a dim power LED), and on (indicated by a bright power LED). The CXC has Auto Power Down (APD) enabled by default, and the unit will automatically switch to standby after 30 minutes of inactivity.
- 2. Open/Close Button** – Opens or closes the CXC's disc loading tray.
- 3. Infrared Receiver** – Receives infrared commands from the CXC remote. For correct operation there must be a clear line of sight between the infrared receiver, and the CXC remote control
- 4. Display** – The display shows the current selected source and a variety of playback information.
- 5. Disc Tray** – Used for the loading of compact discs, operated by the Open/Close button.
- 6. Play/Pause Button** – Press to play a loaded disc or pause playback.
Note: Pressing this button whilst the disc tray is open will close the tray.
- 7. Stop Button** – Stops CD playback.
- 8. Skip/Scan Buttons** – Press to skip CD tracks. Pressing and holding either button will scan forwards or backwards through the current track. The skip/scan buttons are also used for menu navigation.

Display functions



- 1. Play** – Illuminated during disc playback.
- 2. Pause** – Indicates that disc playback has been paused.
- 3. Display** - Shows playback information including the number of tracks on the CD and the total length of the CD.
- 4. Random** – Indicates that 'random' playback mode has been selected. This will randomise the playback order of the loaded CDs tracks.
- 5. Repeat All/Track** – Illuminated when 'Repeat All' is selected, indicating that the whole CD will be repeated, or 'Repeat Track'

Rear panel connections



1. AC Power Socket – Once you have completed all connections to the CD player, plug the AC power cable into an appropriate mains socket then switch on. Your CD player is now ready for use.

2. Mains Voltage Selector Switch – Switches the CXC mains voltage between 115V and 230V.

Note: For use by certified Cambridge Audio service personnel only.

3. Control Bus – RCA sockets used to send and receive power and volume commands from other connected CX Series products. For more information on the Control Bus, see Control Bus section.

4. IR In – Allows modulated IR commands from an IR repeater or custom install systems to be received by the CD player. Commands received by the IR In socket are not looped out of the Control Bus.

Note: The IR input doesn't provide any power, so any device connected to this input will need to have its own power source.

5. Digital Outputs – The CXC has two digital outputs. One TOSLINK optical which can provide high quality transfer over shorter distances, and one S/P DIF coaxial which can be used for longer connections.

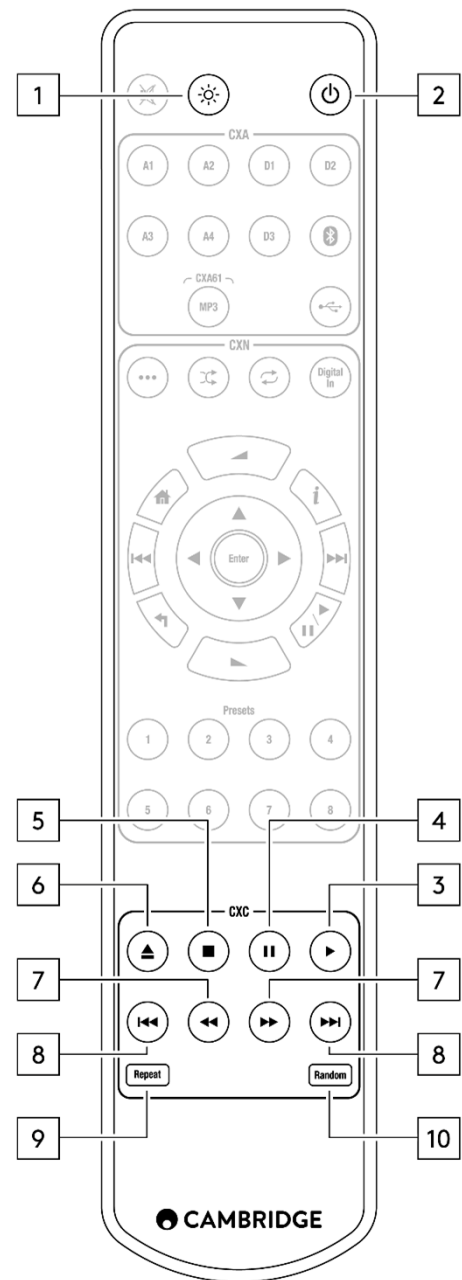
For best results via S/P DIF use a high-quality 75-ohm digital RCA interconnect cable (not one designed for normal audio use).

For best results via TOSLINK use a high-quality fibre optic interconnect cable designed for audio use.

Remote control

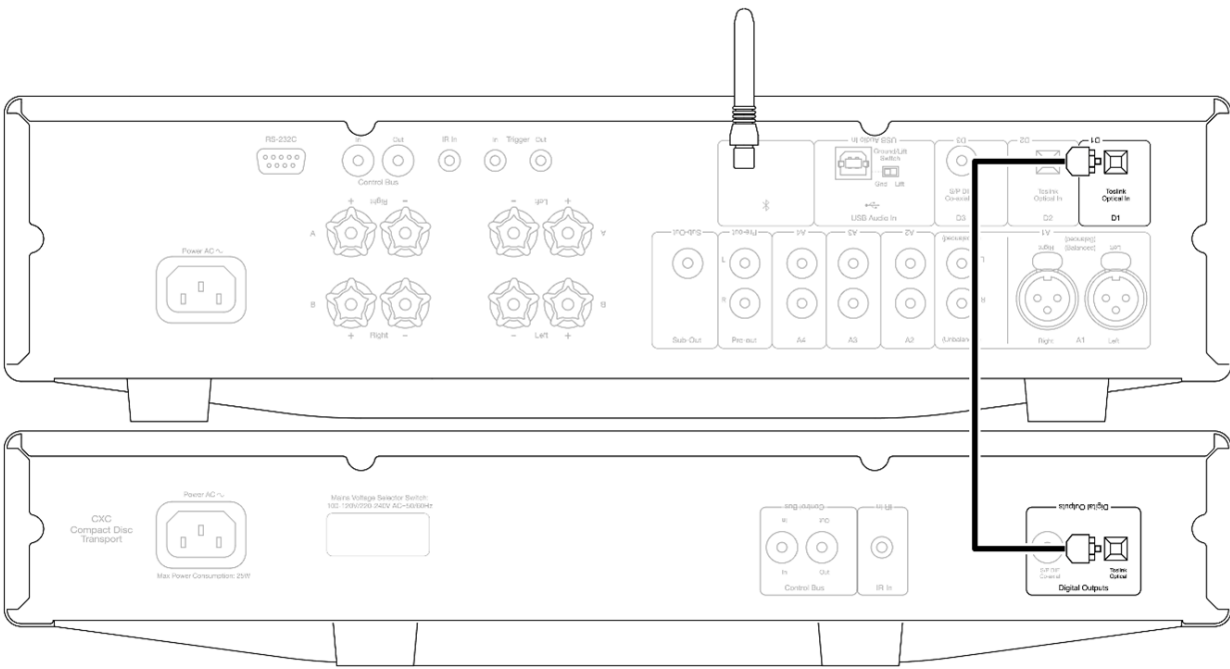
The CXC is supplied with a remote-control handset that duplicates the front panel control functions and is also able to control other CX series products. The supplied AAA batteries must be fitted before the remote control can be used.

- 1. Brightness** – Switches the CXC display backlight between three brightness settings: Bright, Dim, and Off.
 - 2. Standby/On** - Switches the unit between on and low power standby.
 - 3. Play** – Press to play the loaded CD.
 - 4. Pause** – Press to pause CD playback.
 - 5. Stop** – Press to stop CD playback.
 - 6. Open/Close Button** - Opens or closes the CXC's disc loading tray.
 - 7. Scan** - Press and hold to scan within the selected track. Hold down for seven seconds to increase scan speed. Press the right button to fast forward, the left button to rewind.
 - 8. Skip** – Press the left button to skip backwards one track and press the right button to skip forward one track.
 - 9. Repeat** – Press once to 'repeat all', repeating the entire CD. Press twice whilst playing a track to repeat that specific track.
 - 10. Random** – Press to play the entire CD in a randomised order.
- Note:** the 'repeat' and 'random' buttons will function only when the display backlight is in either 'Bright' or 'Dim' modes. If it is set to 'Off', these functions do not respond.
- If the remote control will not function, please check that the batteries have not expired, and that there is nothing blocking the front panel IR receiver.

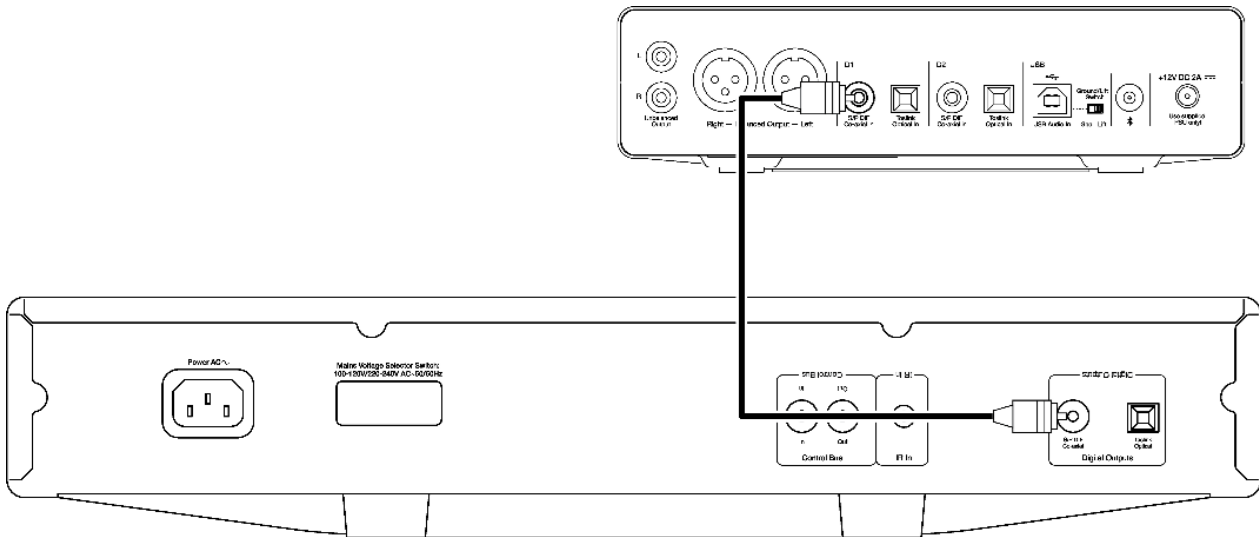


Getting connected

CXC connection with CXA81 via TOSLINK optical:



CXC connection with DacMagic 200M via S/P DIF Coaxial:



Initial setup

1. Connect your CXC to the digital input of your chosen DAC, integrated amplifier, or network streamer. For high quality transfer over shorter distances use the TOSLINK optical output. For longer distance connections use the S/P DIF coaxial output.
2. Confirm that any output, and speaker connections between your chosen DAC, integrated amplifier, or network streamer are secure.
3. Connect the CXC to a mains socket using the included power cable.
4. Power on the unit, open the disc tray, and insert a CD to be loaded.

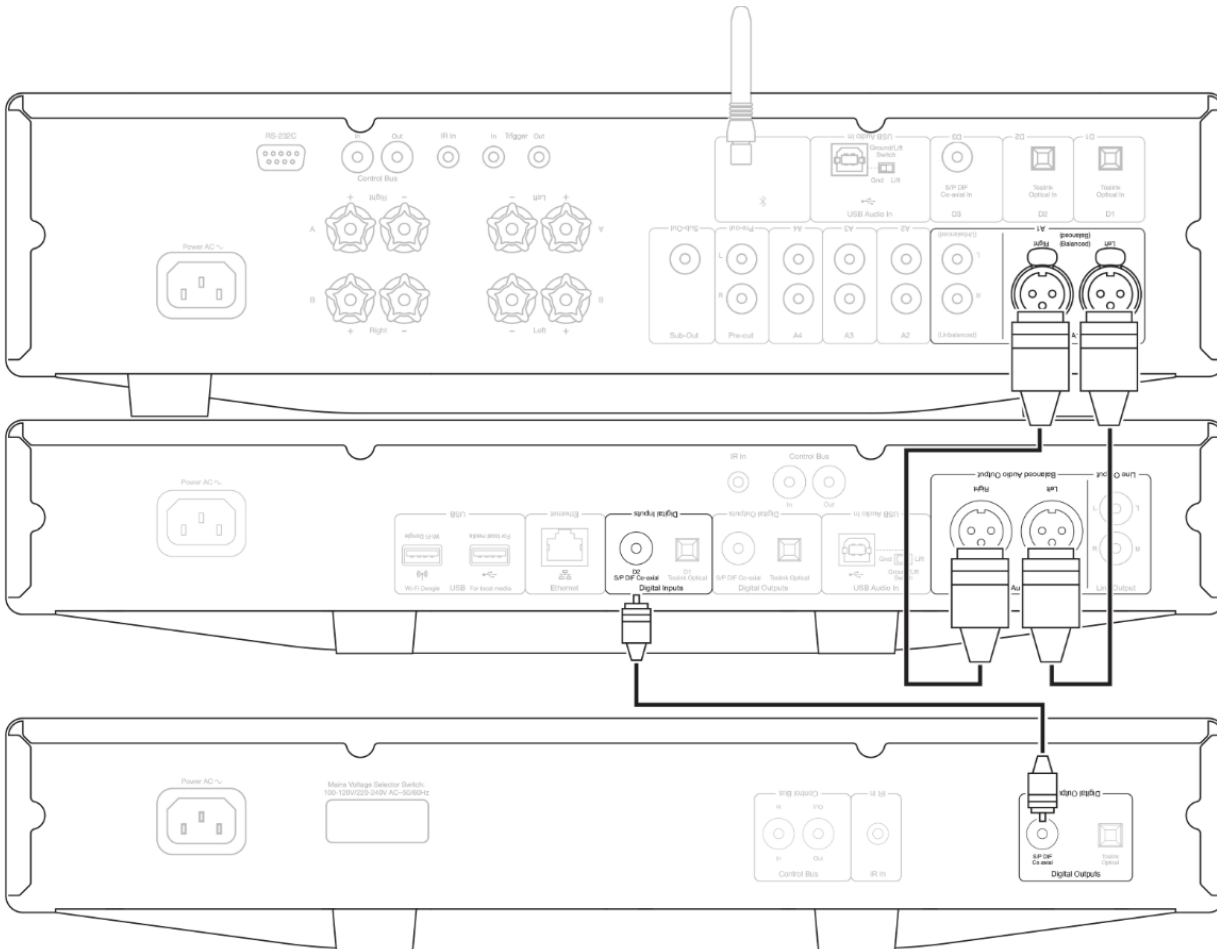
If there is no power to the unit, please see the following steps:

1. Check that the supplied power cable is securely connected to the power adaptor socket on the rear of the CXC.
2. Confirm that the power cable is securely connected to the mains socket, and that the socket is switched on.

If there is a hum coming from the speaker, please ensure that all cable connections are secure.

Connecting CX series equipment

CXC connected to a CXN V2 via S/P DIF alongside a CXA81:



Both the CXN V2, and the CXA61/81 use high quality internal DACs with differing sound profiles. It is worth experimenting with connections between the CXC, the CXN V2, and the CXA61/81 to see which you prefer.

To connect the CXC to a CXN V2 and CXA61/81 using the internal DAC of the CXN V2:

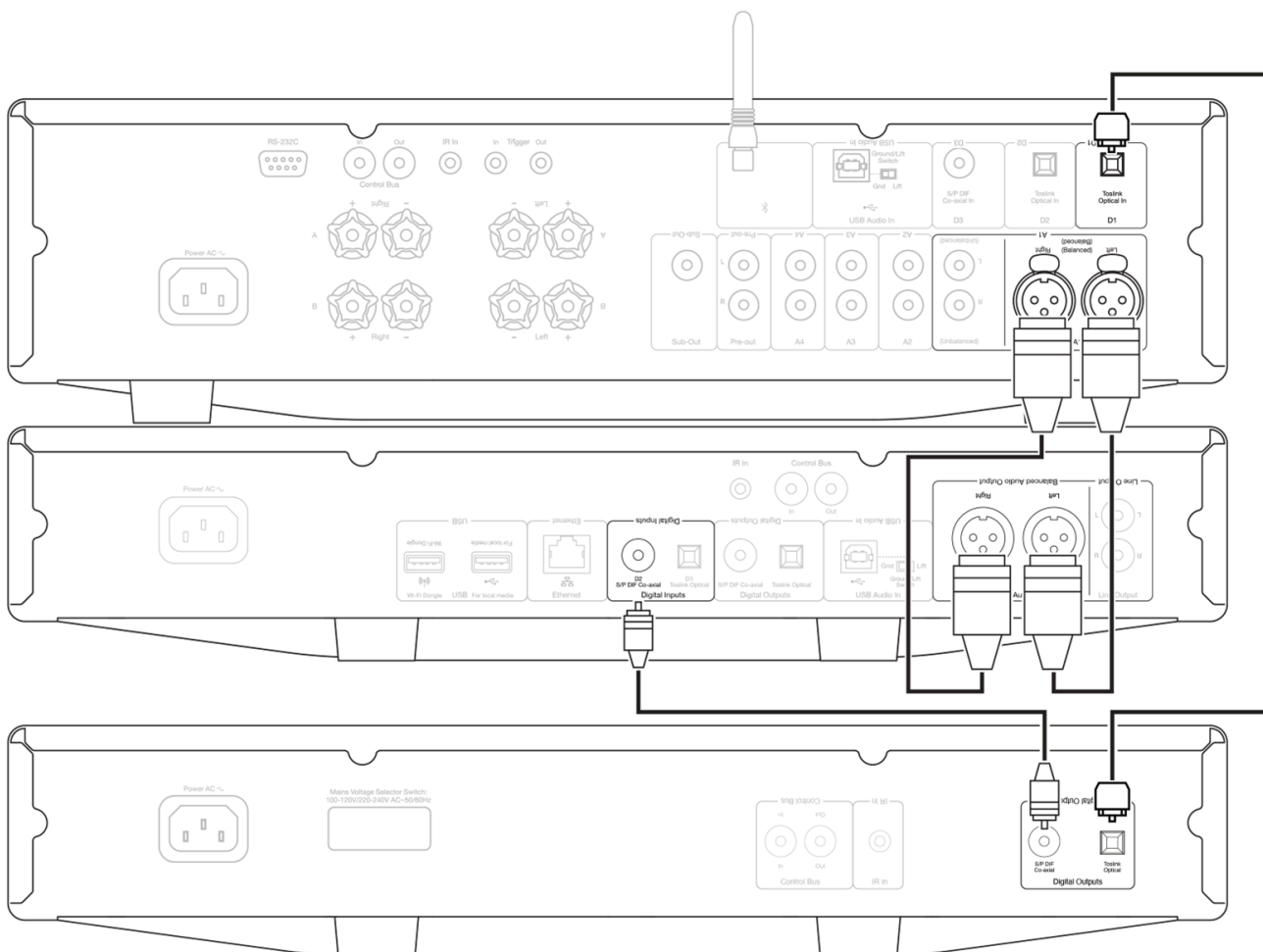
1. Connect the CXC to one of the digital inputs on the CXN V2 using either S/P DIF for a shorter connection, or TOSLINK optical for a longer connection.
2. Connect the CXN V2 outputs to one of the analogue inputs of the CXA61/81 via balanced XLR (CXA81 only), or unbalanced RCA.
3. You will now be able to select the CXC as an audio source on the CXN V2 for high quality CD playback.

Alternatively, the CXC can be connected directly to the CXA61/81 using the S/P DIF input, or one of the TOSLINK

optical inputs. This will then use the internal DAC of the CXA61/81.

As both digital outputs on the CXC are active at the same time it is also possible to connect the CXC directly to both the CXN V2, and CXA61/81 simultaneously giving you the option of two separate listening experiences.

CXC connected to a CXN V2 via S/P DIF, and a CXA81 via TOSLINK optical:



With the above configuration you would be able to choose whether the CXC uses the internal DAC of the CXN V2, or that of the CXA.

Note: For optimal performance use the 'D1' input when connected to a CXA61/81, or DacMagic 200M via TOSLINK. Alternatively, if using the 'D2' input, ensure that 'TV Mode' is disabled.

Operating instructions



The CXC has been designed to only play:

- Compact discs,
- Recordable CDs (CD-R)
- Re-writable CDs (CD-RW) bearing the identification logo shown above

Note: Any CD-R/CD-RW discs should contain properly recorded TOC (Table of Contents) information so that they can be played back.

The CXC can play only the discs recorded in the CD-DA format designed for music reproduction. Do not attempt to play a disc containing other data, such as a CD-ROM for PCs with MP3 or WMA files.

Loading and unloading discs

1. Using the front panel or remote control, press the 'Open/Close' button to open the CXC disc tray.
2. Once the disc tray has fully opened, carefully place a disc into the tray with the label side facing upwards.
3. Close the disc tray by pressing the 'Open/Close' button again. When the tray has fully closed the CXC will read the disc and display the content information.
4. The disc tray can be opened at any time during playback using either the front panel 'Open/Close' button, or the one located on the remote control. Only remove an inserted disc after the disc tray has fully opened.

Important information

- Do not put anything except for a compact disc into the disc tray as this can damage the mechanism.
- Do not force the tray by hand during opening and closing operations.
- To avoid dirt and dust entering the mechanism, keep the disc tray closed when not in use.
- If the compact disc that you are attempting to load is badly scratched or dirty, the player may be unable to read or play it.
- Never attempt to load multiple discs into the disc tray at any time.

Normal disc playback

1. Switch on your CXC, and amplifier. Select the input on your amplifier that is connected to the CXC. Check that the volume is set to a minimum.
2. Load a disc into the disc tray by following the above loading procedure.
3. Once the CXC has successfully read the inserted disc, begin playback by pressing the 'Play' button on the front panel, or on your remote control.
4. When the last track on the CD has finished playing, the display will return to the Table of Contents (TOC).
5. To stop the disc at any point, press the 'Stop' button. To pause the disc, press the 'Pause' button. Playback can then be resumed by pressing the 'Play' button again.

Locating a specific track during playback

1. A single short press of the forward 'Skip/Scan' button will take you to the beginning of the next track on the CD. Repeat as necessary.
2. A single short press of the reverse 'Skip/Scan' button will take you to the beginning of the previous track.

Locating a specific track when playback is stopped

1. A single short press of the forward 'Skip/Scan' button will take you to the beginning of the next track on the CD. Repeat as necessary.
2. A single short press of the reverse 'Skip/Scan' button will take you to the beginning of the previous track.
3. Pressing and holding the 'Skip/Scan' buttons will scroll rapidly through tracks in the relative directions.

4. Press the 'Play' button to start playback from the selected track.

Repeating discs and tracks

1. Once you have loaded a disc to the CXC, press the 'Repeat' button on the remote control once and press 'Play' to repeat the entire disc. 'Repeat All' will appear on the CXC display until the function is turned off.
2. Press the 'Repeat' button on the remote control twice and press 'Play' to repeat the current track. 'Repeat Track' will appear on the CXC display until the function is turned off.
3. Press the 'Repeat' button again either before or during playback to turn off this function.

Playing tracks in a random order

1. Once you have loaded a disc to the CXC, press the 'Random' button on the remote control. 'Random' will appear on the display.
2. Press the 'Play' button. The CXC will now play the entire disc in a randomised order.
3. It is also possible to press the 'Random' button during playback to listen to tracks in a random order from that point onward.

Note: Selecting 'Random' mode when 'Repeat Track' has been selected will automatically cancel 'Repeat Track' mode.

Setup menu

The CXC setup menu allows adjustment of settings related to the Auto-Play, and Auto Power Down (APD) functions.

Note: The setup menu cannot be accessed during disc playback.

Using the setup menu

1. On the front panel of the CXC press and hold the 'stop' button for five seconds. This will open the setup menu.
2. Scroll through the menu using the 'skip/scan' buttons.
3. Use the 'play' button to enter sub-menus and select options.
4. To exit a sub-menu, press the 'stop' button.

Auto play setting – This setting can be enabled from within the setup menu and allows the CXC to play inserted discs without the need for the 'play' button to be pressed.

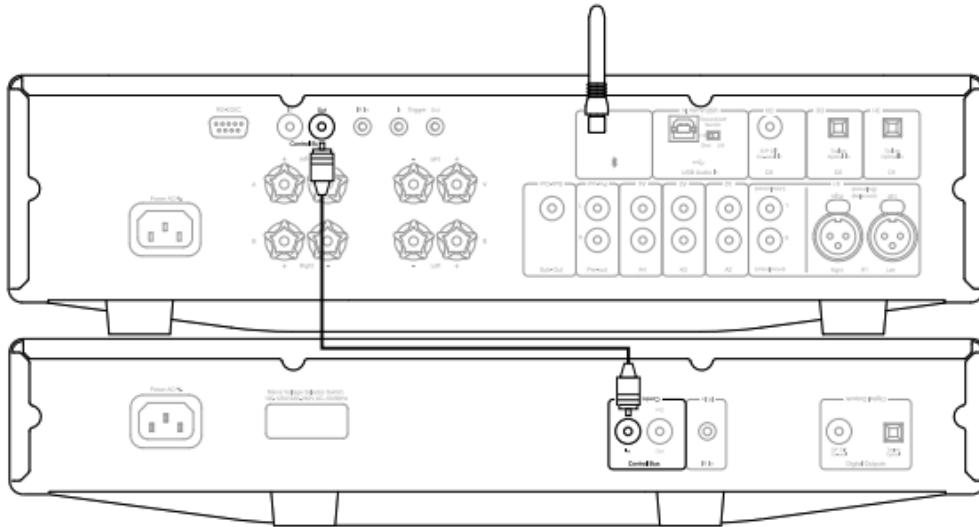
Auto power down (APD) – The CXC comes with APD set to 30-minutes by default and will switch to standby after a 30-minute period of inactivity. This can be switched off completely or the time can be changed between 30, 60, and 120 minutes within the setup menu.

Control bus

Connecting the CXC and CXA61/81 control bus

Connecting the CXC and CXA61/81 via the supplied orange Control Bus cables will ensure that the devices are switched off and on at the same time.

Connect the CXA control bus out to the CXC in.



Note: The CXC and CXA all have an Auto Power Down (APD) function. If APD is enabled and one of the devices is switched on but inactive, the device will automatically power down after the selected APD time. This will then switch off all the other connected devices, due to the Control Bus connection.

If you don't want the devices to go into standby automatically, we would recommend disabling the APD feature on each device.

Troubleshooting

There is no power

- Ensure that the AC power cord is connected securely.
- Ensure the plug is fully inserted into the wall socket and is switched on.
- Check fuse in the mains plug or adaptor.

The player will not read the disc

- Check the disc is not loaded upside down.
- Check that the disc is not too scratched or dirty.

There is no sound

- Ensure that the amplifier is set correctly.
- Check that the interconnects are inserted correctly.

The disc is skipping

- Check that the disc is not too scratched or dirty.
- Ensure the player is on a firm surface and not subject to vibrations.

There is a hum coming from the speakers

- Ensure that all cable connections are secure.

The remote will not function

- Check that the batteries have not expired.

- Ensure that nothing is blocking the remote sensor.

Technical specifications

Total correlated jitter

<0.2ns

S/PDIF and TOSLINK optical output impedance

<75 Ohms

Digital audio outputs

S/PDIF coaxial and TOSLINK optical

Maximum power consumption

25W

Standby power consumption

<0.5W

Dimensions (H x W x D)

85 x 430 x 315mm (3.3 x 16.9 x 12.4")

Weight

4.3kg (10.3lbs)

Frequently Asked Questions (FAQ)

How can I play SACD or MP3/WMA discs on the CXC?

It is not possible to play SACD, MP3 or WMA discs on the CXC. The CXC uses the same S3 servo as our Azur CD players and is optimised for CD playback only.

Why doesn't the CXC have an analogue audio output?

In a 'normal' CD player, the CD's digital information is read and passed through a DAC (Digital to Analogue Converter) inside the CD player. The resulting analogue signal is then output to the amplifier, usually via RCA connection.

The CXC is a CD Transport. This means that the CXC plays the CD and extracts the digital information from the CD disc and outputs it digitally, via S/PDIF Coaxial or Toslink connection.

As we use high-quality ESS Sabre DACs inside our CX Series amplifiers (CXA61/81), we recommend outputting a digital signal from the CD Transport and allow the digital to analogue conversion take place in the amplifier instead.