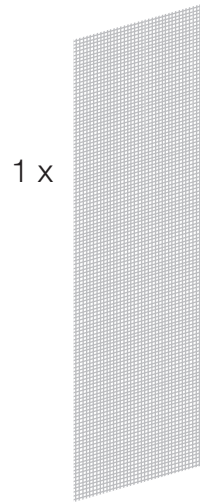
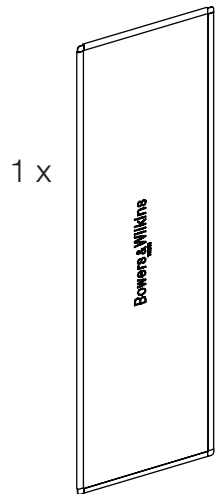
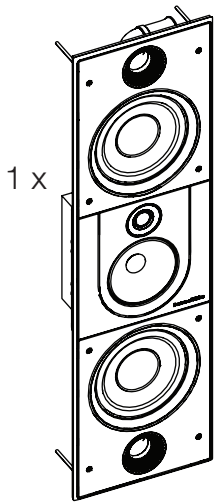


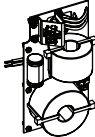
CWM8.3

1

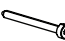



1 x 

2 x 

1 x 

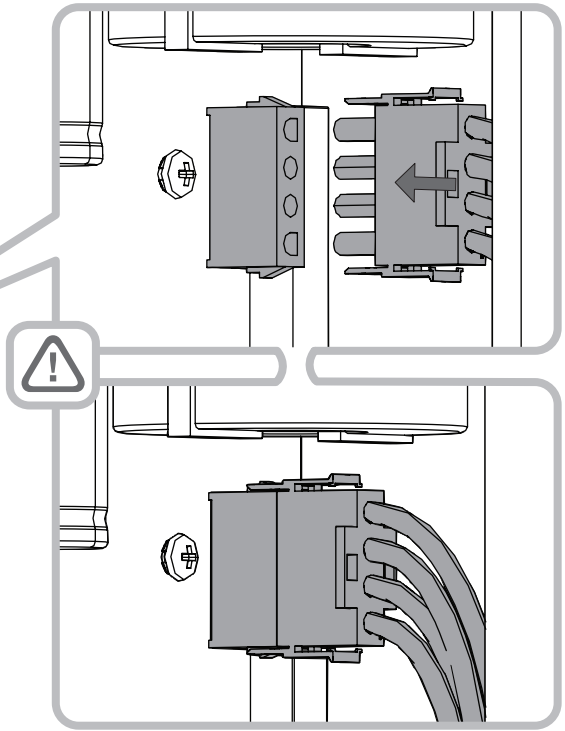
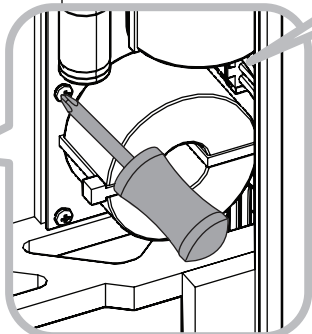
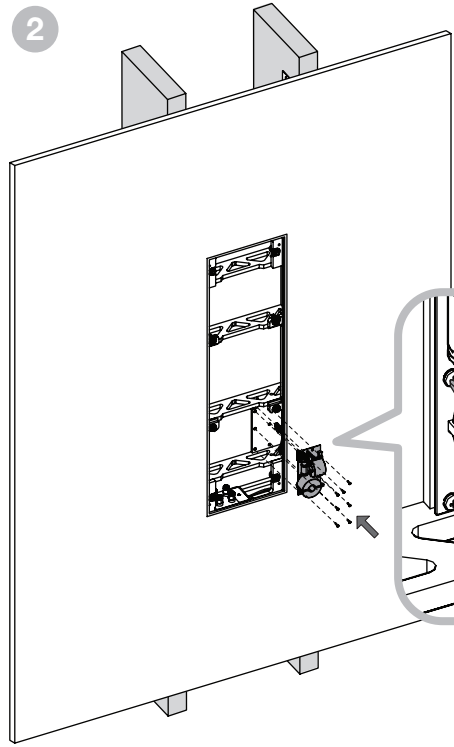
7 x 

8 x 

8 x 

8 x 

2



3

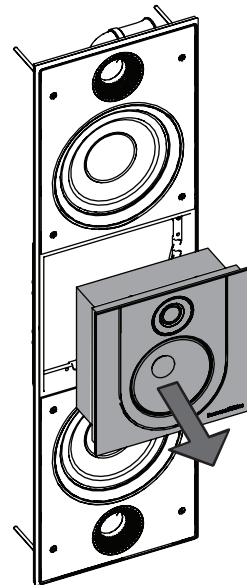
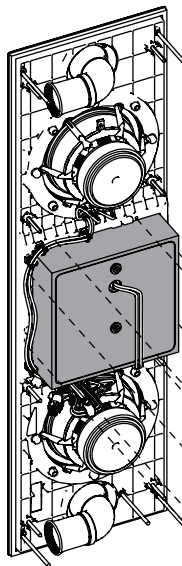


4a

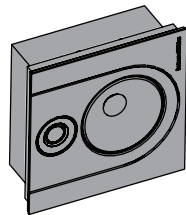
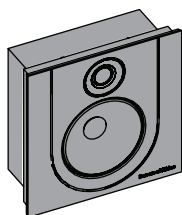


5

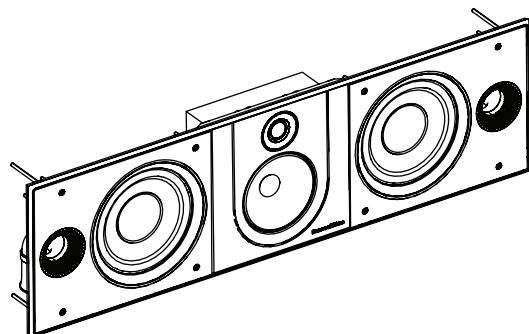
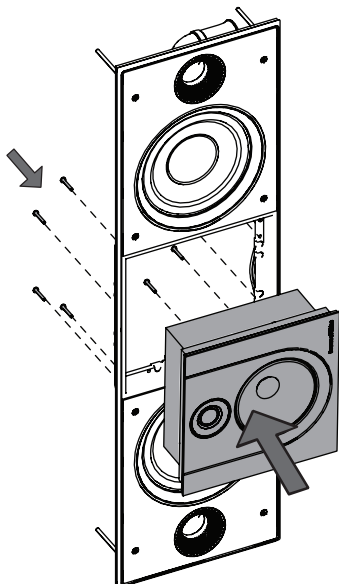
4a



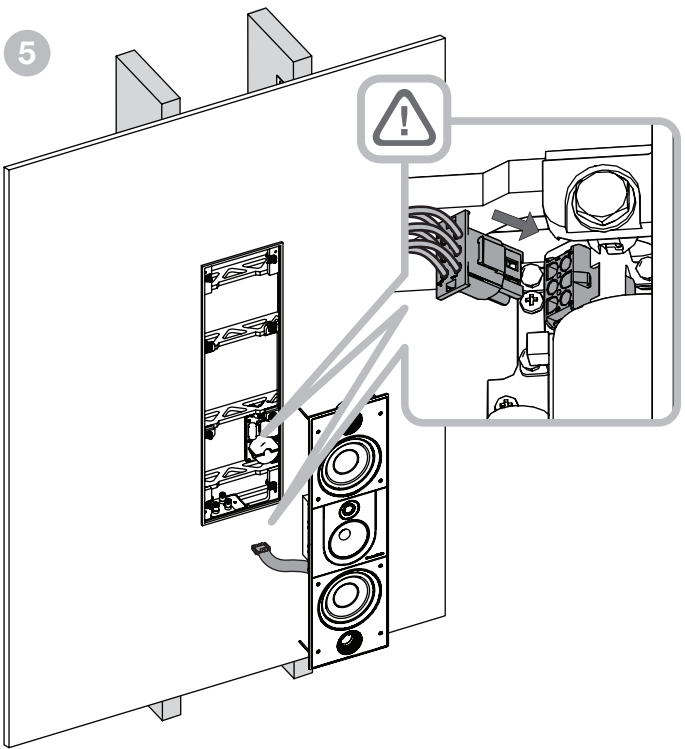
4b



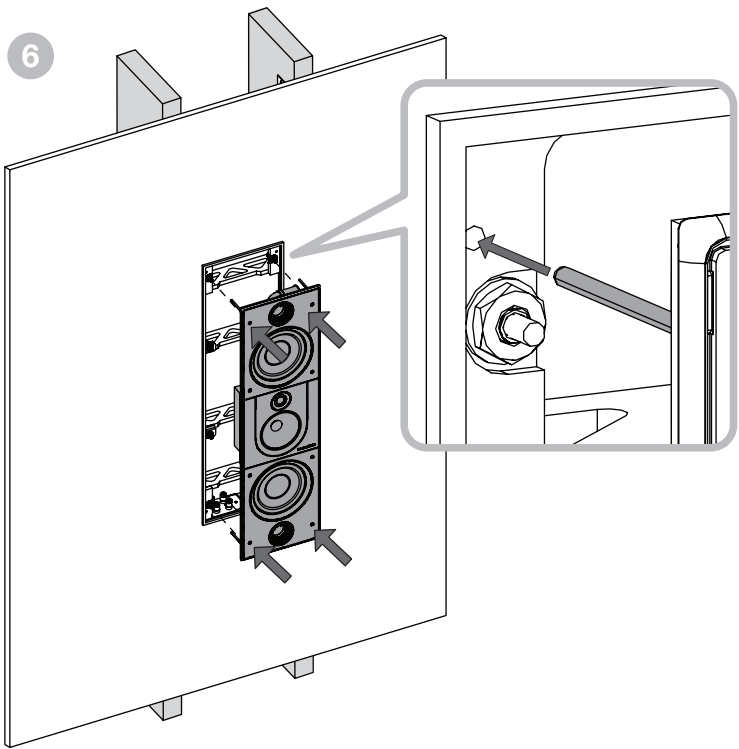
4c



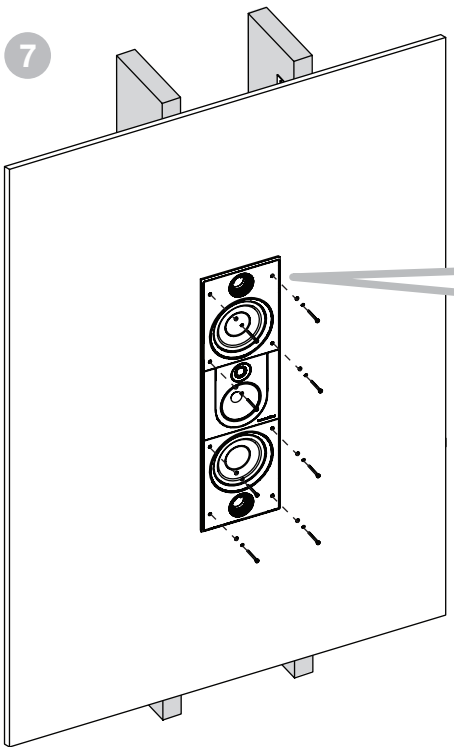
5



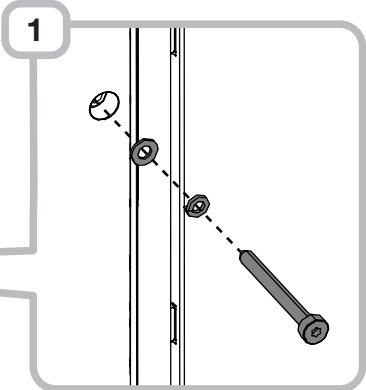
6



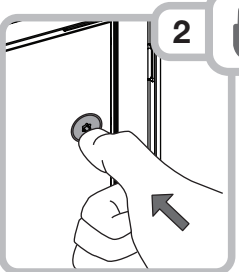
7



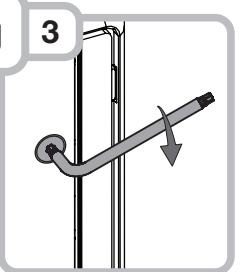
1



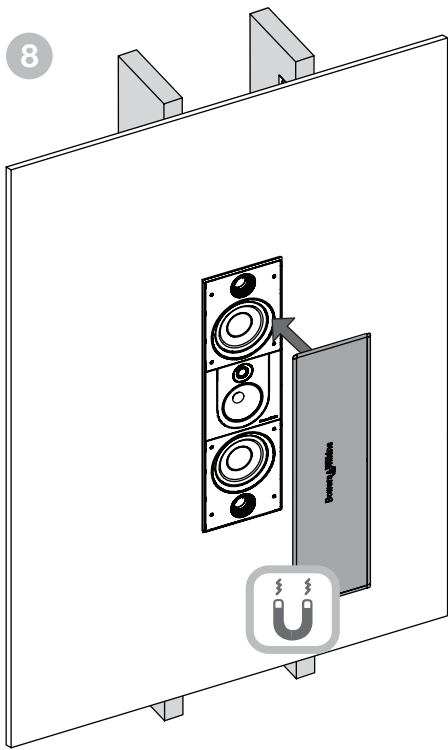
2



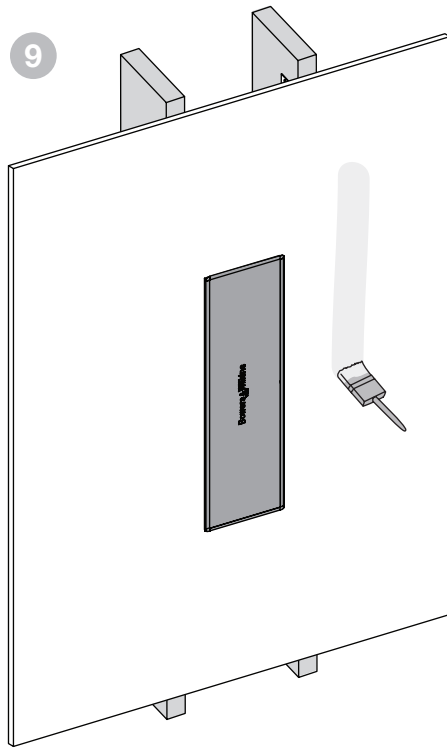
3



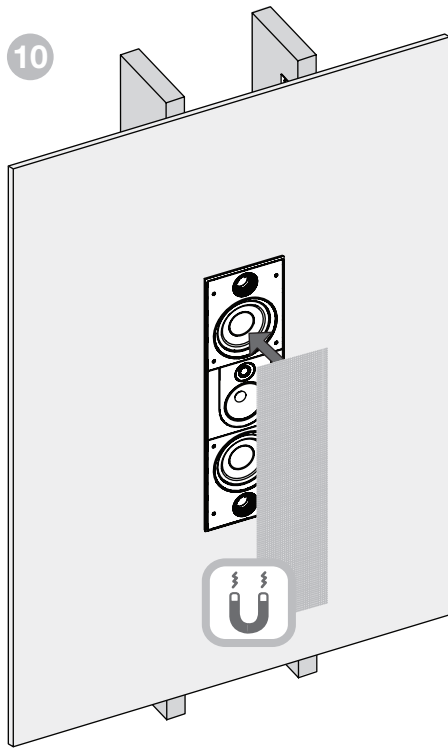
8



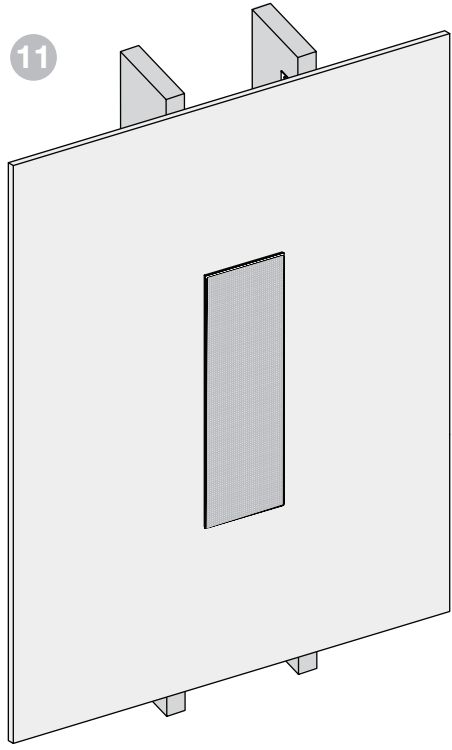
9



10



11



EU DECLARATION OF CONFORMITY

We,

**B&W Group Ltd.**

whose registered office is situated at

**Dale Road, Worthing, West Sussex, BN11 2BH, United Kingdom**

declare under our sole responsibility that the product:

**CWM8.3**

complies with the EU Electro-Magnetic Compatibility (EMC) Directive 89/336/EEC, in pursuance of which the following standards have been applied:

EN 61000-6-1 : 2007

EN 61000-6-3 : 2001

EN 55020 : 2002

EN 55013 : 2001

and complies with the EU General Product Safety 2001/95/EC, in pursuance of which the following standard has been applied:

EN 60065 : 2002

This declaration attests that the manufacturing process quality control and product documentation accord with the need to assure continued compliance.

The attention of the user is drawn to any special measures regarding the use of this equipment that may be detailed in the owner's manual.

Signed:



G Edwards  
Executive Vice President, Operations  
B&W Group Ltd.

# Bowers & Wilkins

B&W Group Ltd  
Dale Road  
Worthing West Sussex  
BN11 2BH England

T +44 (0) 1903221800  
F +44 (0) 1903221801  
info@bwgroup.com  
www.bowers-wilkins.com

B&W Group (UK Sales)  
T +44 (0) 1903221500  
E uksales@bwgroup.com

B&W Group North America  
T +1 9786642870  
E marketing@bwgroupusa.com

B&W Group Asia Ltd  
T +85234729300  
E info@bwgroup.hk

Copyright © B&W Group Ltd. E&OE  
Printed in China.