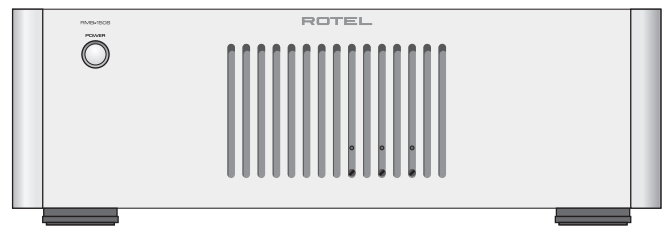




# ROTEL®



## RMB-1506

Six Channel Power Amplifier

Amplificateur de Puissance 6 Canaux

Etapa de Potencia de 6 Canales

Finale di Potenza a 6 Canali

Sechskanal-Endstufe

6 Kanalen Eindversterker

6-Kanals Slutsteg

6-Канального Усилитель Мощности

Owner's Manual

Manuel de l'utilisateur

Bedienungsanleitung

Manual de Instrucciones

Gebruiksaanwijzing

Manuale di istruzioni

Instruktionsbok

Инструкция пользователя

Register your product at  
[www.Rotel.com/register](http://www.Rotel.com/register)

# Important Safety Instructions

**WARNING:** There are no user serviceable parts inside. Refer all servicing to qualified service personnel.

**WARNING:** To reduce the risk of fire or electric shock, do not expose the unit to moisture or water. Do not expose the unit to dripping or splashing. Do not place objects filled with liquids, such as vases, on the unit. Do not allow foreign objects to get into the enclosure. If the unit is exposed to moisture, or a foreign object gets into the enclosure, immediately disconnect the power cord from the wall. Take the unit to a qualified service person for inspection and necessary repairs.

Read all the instructions before connecting or operating the component.

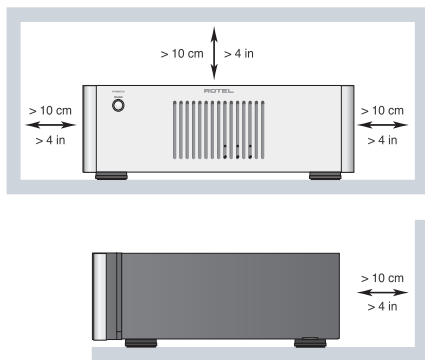
Keep this manual so you can refer to these safety instructions.

Heed all warnings and safety information in these instructions and on the product itself. Follow all operating instructions.

Clean the enclosure only with a dry cloth or a vacuum cleaner.

Do not use this unit near water.

**You must allow a minimum 10 cm or 4 inches of unobstructed clearance around the unit.**



Do not place the unit on a bed, sofa, rug, or similar surface that could block the ventilation openings. If the unit is placed in a bookcase or cabinet, there must be ventilation of the cabinet to allow proper cooling.

Keep the component away from radiators, heat registers, stoves, or any other appliance that produces heat.

**WARNING:** The rear panel power cord connector is the mains power disconnect device. The apparatus must be located in an open area that allows access to the cord connector.

The unit must be connected to a power supply only of the type and voltage specified on the rear panel. (USA: 120 V/60Hz, EC: 230V/50Hz)

Connect the component to the power outlet only with the supplied power supply cable or an exact equivalent. Do not modify the supplied cable. A polarized plug has two blades, with one wider than the other. A grounding plug has two blades plus a third grounding prong. These are provided for your safety. Do not defeat grounding and/or polarization safety provisions. If the supplied plug does not fit your outlet, please consult an electrician for replacement of the obsolete outlet. Do not use extension cords.

The main plug of the power cordset is a disconnect device of the apparatus. In order to completely disconnect the apparatus from the supply mains, the main plug of the power cordset should be unplugged from the mains (AC) outlet. The stand-by LED indicator will not be lit up to show the power cord is unplugged. The disconnect device shall remain readily operable.

Do not route the power cord where it will be crushed, pinched, bent, exposed to heat, or damaged in any way. Pay particular attention to the power cord at the plug and where the cord exits the back of the unit.

The power cord should be unplugged from the wall outlet during a lightning storm or if the unit is to be left unused for a long period of time.

Use only accessories specified by the manufacturer.

Use only with a cart, stand, rack, bracket or shelf system recommended by Rotel. Use caution when moving the unit in a stand or rack to avoid injury from a tip-over.



Use Class 2 wiring for speaker connections to ensure proper insulation and minimize the risk of electrical shock.

Immediately stop using the component and have it inspected and/or serviced by a qualified service agency if:

- The power supply cord or plug has been damaged
- Objects have fallen or liquid has been spilled into the unit
- The unit has been exposed to rain
- The unit shows signs of improper operation
- The unit has been dropped or damaged in any way

**CAUTION**

RISK OF ELECTRIC SHOCK  
DO NOT OPEN

CAUTION: TO REDUCE THE RISK OF ELECTRIC SHOCK, DO NOT REMOVE COVER. NO USER-SERVICEABLE PARTS INSIDE. REFER SERVICING TO QUALIFIED SERVICE PERSONNEL.

**APPLICABLE FOR USA, CANADA OR WHERE APPROVED FOR THE USAGE**

CAUTION: TO PREVENT ELECTRIC SHOCK, MATCH WIDE BLADE OF PLUG TO WIDE SLOT. INSERT FULLY.

ATTENTION: POUR EVITER LES CHOCS ELECTRIQUES, INTRODUIRE LA LAME LA PLUS LARGE DE LA FICHE DANS LA BORNE CORRESPONDANTE DE LA PRISE ET POUSSER JUSQU'AU FOND.

This symbol is to alert the user to the presence of uninsulated dangerous voltages inside the product's enclosure that may constitute a risk of electric shock.

This symbol is to alert the user to important operating and maintenance (service) instructions in this manual and literature accompanying the product.

Rotel products are designed to comply with international directives on the Restriction of Hazardous Substances (RoHS) in electrical and electronic equipment and the disposal of Waste Electrical and Electronic Equipment (WEEE). The crossed wheellie bin symbol indicates compliance and that the products must be appropriately recycled or processed in accordance with these directives.



This symbol means that this unit is double insulated. An earth connection is not required.



Figure 1: Controls and Connections  
 Commandes et branchements  
 Bedienelemente und Anschlüsse  
 Controles y Conexiones  
 De bedieningsorganen en de aansluitingen  
 Controlli e connessioni  
 Kontroller och anslutningar  
 Органы управления и разъемы

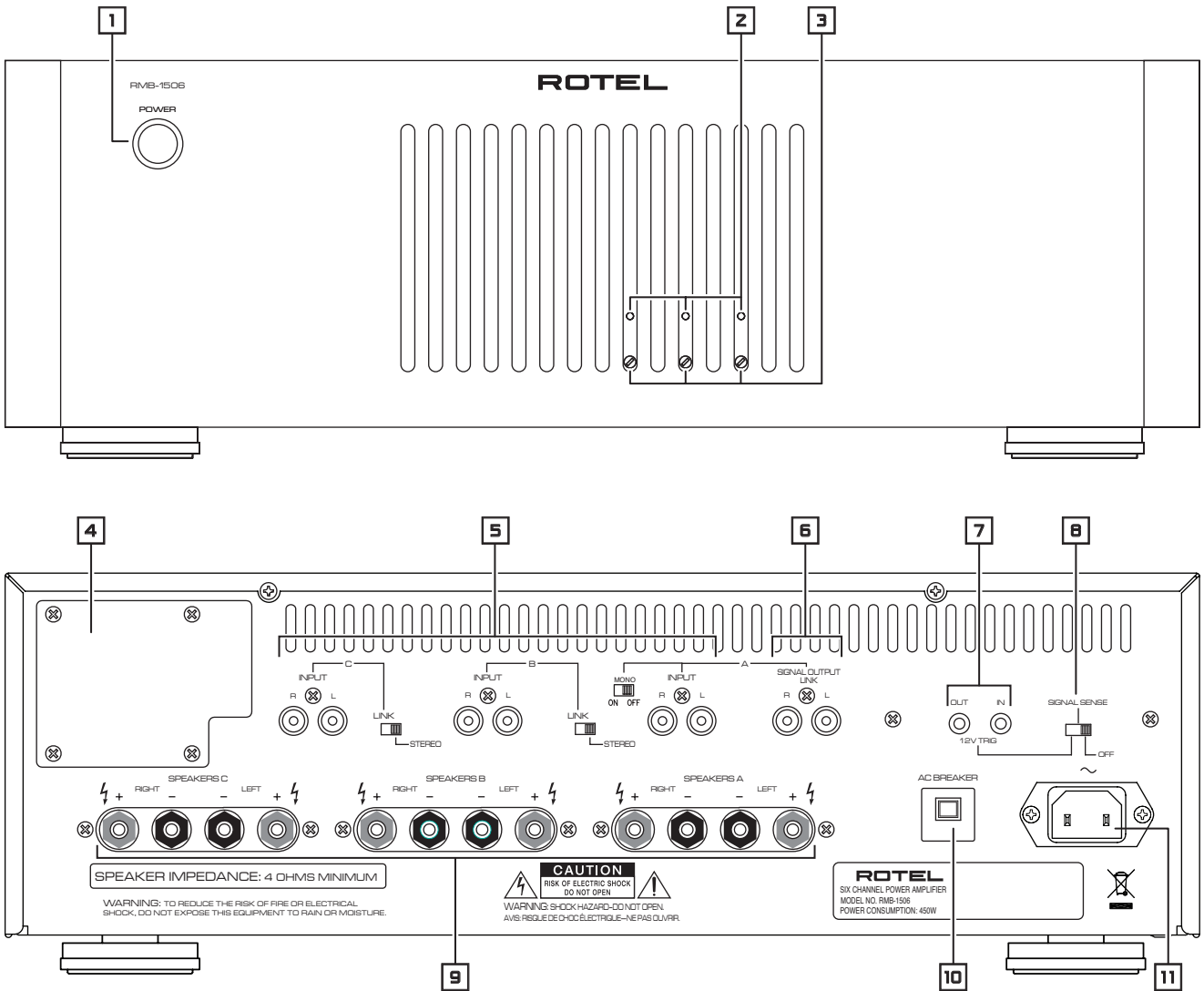
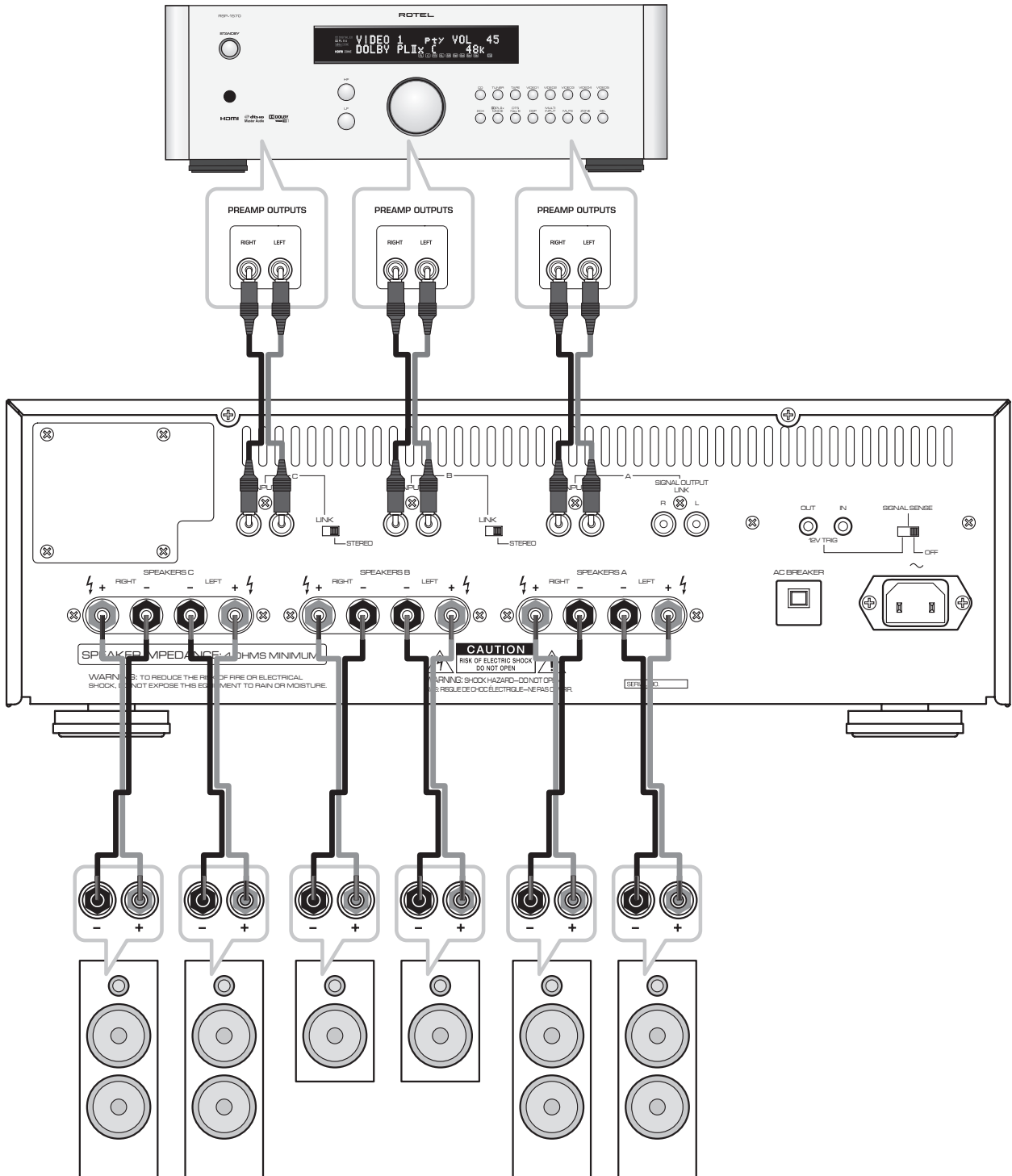


Figure 2: Hook-up Illustration  
Branchements principaux  
Diagrama de Conexiones  
Schema di collegamento  
Anschlussdiagramm  
De in- en uitgangsaansluitingen  
Inkoppling  
Подключение



The logo for ROTEL, consisting of the word "ROTEL" in a bold, white, sans-serif font, centered within a solid black rectangular background.

## **Rotel RMB-1506 & RB-1510**

### **Addendum**

The Mono Switch feature is not installed in the model.

### **Note importante**

Lé sélecteur de mise en mono "Mono Switch" n'est pas disponible sur ce modèle.

### **Nachtrag**

Das Feature Mono-Schalter ist nicht in das Gerät integriert.

### **Nota importante**

Este modelo no incorpora el Conmutador de funcionamiento en Modo Monofónico.

### **Addendum**

L'opzione Mono Switch non è presente su questo modello.

### **Aanvulling**

Monoschakeling is bij deze beide types niet mogelijk.

### **Tillägg**

Mono-omkopplingsfunktioner finns inte på denna modell.

### **Примечание**

Переключатель входов в режим моно – "Mono Switch" в этой модели не задействован.

## Important Notes

### When making connections be sure to:

- ✓ Turn off **all** the components in the system **before** hooking up **any** components, including loudspeakers.
- ✓ Turn off **all** components in the system **before** changing **any** of the connections to the system.

### It is also recommended that you:

- ✓ Turn the volume control of the amplifier all the way down **before** the amplifier is turned **on or off**.

## Remarques importantes

### Pendant les branchements, assurez-vous que :

- ✓ **Tous** les maillons sont éteints **avant** leur branchement, **quels qu'ils soient**, y compris les enceintes acoustiques.
- ✓ Éteignez **tous** les maillons **avant** de modifier **quoi que ce soit** au niveau de leurs branchements, quels qu'ils soient.

### Il est également recommandé de :

- ✓ Toujours baissez le niveau sonore via le contrôle de volume, **avant d'allumer ou d'éteindre** l'amplificateur.

## Wichtige Hinweise

### Achten Sie beim Herstellen der Verbindungen auf Folgendes:

- ✓ Schalten Sie **alle** Komponenten im System ab, **bevor** Sie Geräte (einschließlich Lautsprecher) anschließen.
- ✓ Schalten Sie **alle** Komponenten im System ab, **bevor** Sie Anschlüsse im System verändern.

### Ferner empfehlen wir, dass

- ✓ Sie die Lautstärke herunterdrehen, **bevor** Sie die Endstufe **ein-** oder **abschalten**.

## Notas Importantes

### Cuando realice las conexiones, asegúrese de que:

- ✓ Desactiva **todos** los componentes del equipo, cajas acústicas incluidas, **antes** de conectar **cualquier nuevo componente** en el mismo.
- ✓ Desactiva **todos** los componentes del equipo **antes** de cambiar **cualquier conexión del mismo**.

### También le recomendamos que:

- ✓ Reduzca el nivel de volumen de su amplificador a cero **antes** de **activarlo o desactivarlo**.

## Héél belangrijk:

### Bij het maken van de verbindingen:

- ✓ Zorg dat niet alleen de RMB-1506, maar de **gehele** installatie uitstaat, als nog niet **alle** verbindingen gemaakt zijn.
- ✓ Zorg dat niet alleen de RMB-1506, maar de **gehele** installatie ook uitstaat, **als** u verbindingen gaat **wijzigen**.

### Wij raden u ook aan om

- ✓ de volumeregelaar van de voorversterker geheel dicht te draaien (volkomen naar links) **wanneer** u uw eindversterker **aan- of uitzet**.

## Note importanti

### Quando effettuate i collegamenti assicuratevi di:

- ✓ Spegnerne **tutti** i componenti del sistema **prima** di collegare **qualsiasi** componente, inclusi i diffusori.
- ✓ Spegnerne **tutti** i componenti del sistema **prima** di modificare **qualsiasi** connessione nel sistema.

### Vi raccomandiamo inoltre di:

- ✓ Portare il volume a zero **prima** di **accendere o spegnere** l'amplificatore.

## Viktigt

### Tänk på följande när du gör anslutningar:

- ✓ Stäng av **alla** komponenter i anläggningen **innan** du ansluter nya komponenter, inklusive högtalare.
- ✓ Stäng av **alla** komponenter i anläggningen **innan** du ändrar någon anslutning **i anläggningen**.

### Vi rekommenderar också att du

- ✓ Vrider ner volymen på förstärkaren helt och hållet **innan** förstärkaren stängs av eller sätts på.

## Перед подсоединением:

- ✓ Выключите **все** компоненты, включая колонки.
- ✓ Выключите **все** компоненты в вашей системе, прежде чем что-то в ней **менять**.

### Рекомендуется также:

- ✓ Вывести громкость усилителя на **минимум**, перед тем как **включать или выключать** его.

## Contents

<b>Important Safety Instructions</b> .....	<b>2</b>
Figure 1: Controls and Connections	3
Figure 2: Hook-up Illustration	4
Important Notes	5
<b>About Rotel</b> .....	<b>6</b>
<b>Getting Started</b> .....	<b>7</b>
Features	7
A Few Precautions	7
Placement	7
Optional Fan Kit <b>4</b>	7
<b>AC Power and Control</b> .....	<b>7</b>
AC Power Input <b>11</b>	7
Power Switch and Indicator Light <b>1</b>	8
Auto Turn On/Off Mode Selector <b>8</b>	8
12V Trigger Input <b>7</b>	8
12V Trigger Output <b>7</b>	8
Circuit Breaker <b>10</b>	8
Protection Indicators <b>2</b>	8
<b>Signal Connections</b> .....	<b>8</b>
RCA Inputs <b>5</b>	8
Mono Switch <b>5</b>	8
Linking the Inputs <b>5</b>	9
Input Level Controls <b>3</b>	9
Signal Output Link <b>6</b>	9
<b>Speakers</b> .....	<b>9</b>
Speaker Selection	9
Speaker Wire Selection	9
Polarity and Phasing	9
Speaker Connections <b>9</b>	9
<b>Troubleshooting</b> .....	<b>10</b>
Front Panel Power Indicator Is Not Lit	10
No Sound	10
Protection Indicator Is Lit	10
<b>Specifications</b> .....	<b>10</b>

## About Rotel

Our story began nearly 50 years ago. Over the decades, we have received hundreds of awards for our products and satisfied hundreds of thousands of people who take their entertainment seriously - like you!

Rotel was founded by a family whose passionate interest in music led them to manufacture high-fidelity components of uncompromising quality. Through the years, that passion has remained undiminished and the family goal of providing exceptional value for audiophiles and music lovers, regardless of their budget, is shared by all Rotel employees.

Rotel's engineers work as a close team, listening to, and fine tuning, each new product until it reaches their exacting musical standards. They are free to choose components from around the world in order to make that product the best they can. You are likely to find capacitors from the United Kingdom and Germany, semiconductors from Japan or the United States, while toroidal power transformers are manufactured in Rotel's own factory.

We all have concerns about our environment. And, as more and more electronics are produced and later discarded, it is especially important for a manufacturer to do all it can to engineer products that have a minimum negative impact on landfill sites and water tables.

At Rotel, we are proud to do our part. We have reduced the lead content in our electronics by using special ROHS solder, while our new Class D (not digital) amplifiers are up to five times more efficient than our legacy designs and still deliver power and performance. These products run cool, give minimum wasted energy, are good for the environment and give better sound too.

Finally, we have printed this brochure on recycled paper stock.

While we understand that these are small first steps, they are still important ones. And we continue to pursue new methods and materials for a cleaner and greener manufacturing process.

All of us at Rotel thank you for buying this product. We are sure it will bring you many years of enjoyment.

## Getting Started

Thank you for purchasing the Rotel RMB-1506 Six Channel Power Amplifier. When used in a high-quality music or home theater system, your Rotel amplifier will provide years of musical enjoyment.

The RMB-1506 is a sophisticated six-channel power amplifier. Discrete output devices, a massive power supply with toroidal transformer, premium components, and Rotel's Balanced Design ensure superb sound quality. High current capability allows the RMB-1506 to drive difficult speaker loads with ease.

### Features

- Six-channel power amplifier, with 50 watts per channel output into 8 ohms.
- Front panel input level controls.
- User-selectable power on/off configuration: manual, automatic signal sensing, or controlled by remote 12 volt trigger signal.
- Provision for installation of optional cooling fan for increased heat dissipation and performance.
- Protection circuitry against fault conditions with front panel indicators.
- Input linking, input mono switch and signal output link connectors for maximum system configuration flexibility.

### A Few Precautions

Please read this manual carefully. In addition to basic installation and operating instructions, it provides valuable information on various RMB-1506 system configurations as well as general information that will help you get optimum performance from your system. Please contact your authorized Rotel dealer for answers to any questions you might have. In addition, all of us at Rotel welcome your questions and comments.

Save the RMB-1506 shipping carton and all enclosed packing material for future use. Shipping or moving the RMB-1506 in anything other than the original packing material may result in severe damage to your amplifier.

Keep the original sales receipt. It is your best record of the date of purchase, which you will need in the event warranty service is ever required.

### Placement

Place the RMB-1506 on a solid, level surface away from sunlight, heat, moisture, or vibration.

Don't stack other components or objects on top of the RMB-1506. Don't let any liquid fall into the unit.

Likewise, remember the weight of the amplifier when you select an installation location. Make sure that the shelf or cabinet can support its considerable bulk.

The RMB-1506 generates heat during normal operation. Do not block ventilation openings. **Allow a minimum of 10 cm or 4 inches of unobstructed space around the unit.** If installed in a cabinet, make sure that there is adequate ventilation.

### Optional Fan Kit

The RMB-1506's generous heatsinks provide adequate cooling for most installations. However, when installing the amplifier in a confined space or near other heat-generating components, additional cooling may be desirable. The optional RKBF-1 fan kit can be easily installed for additional forced air cooling. In addition to lowering operating temperatures, the optional fan kit improves the performance of the amplifier, especially when driving difficult loudspeaker loads. See your Rotel dealer for information on the optional fan kit.

---

**Note:** *The optional cooling kit generates mechanical fan noise during operation. When using the fan cooling, select a location for the amplifier where the noise will not be intrusive.*

---

## AC Power and Control

### AC Power Input

Your RMB-1506 is configured at the factory for the proper AC line voltage in the country where you purchased it (USA: 120 volts/60 Hz, Europe: 230 volts/50 Hz). The AC line configuration is noted on a label on the back panel.

The RMB-1506 is supplied with the proper AC power cord. Use only this cord or an exact equivalent. Do not modify the supplied cord. Do not use an extension cord.

Be sure the power switch on the front panel of the RMB-1506 is turned off. Then, plug one end of the cord into the AC power connector on the back panel of the amplifier. Plug the other end into an appropriate AC outlet.

If you are going to be away from home for an extended period of time, it is a sensible precaution to unplug your amplifier.



### Power Switch and Indicator Light 1

The power switch is located on the left side of the front panel. To turn the amplifier on (or to activate either of the optional automatic power-on modes), push the switch in.

The indicator light around the switch will light, indicating that the amplifier is turned on. To turn the amplifier off, push the button again and return it to the out position.

### Auto Turn On/Off Mode Selector 2

The RMB-1506 provides three different options for manual or automatic power on/off operation. These modes are selectable using a three-position slide switch on the back panel as follows:

- **With the switch in the OFF position**, the amplifier is turned on or off manually using the front panel power switch. Also use this mode if you are using a switched AC outlet to control power to the amplifier.
- **With the switch in the SIGNAL SENSE position**, the amplifier turns on automatically when a signal is detected at the inputs. The amplifier will go into standby mode several minutes after no signal is no longer present. The front panel power switch overrides this function. It must be ON for the signal sensing to work. Turning the switch OFF cuts power to the amplifier, regardless of whether or not a signal is present.
- **With the switch in the 12V TRIG position**, the amplifier is turned on automatically when a 12 volt trigger signal is present at the 12V TRIG input to the left of the switch. The amplifier goes into standby mode if the +12 volt signal is not present. The front panel POWER SWITCH overrides this function. It must be ON for the +12V trigger to work. Turning the switch OFF cuts power to the amplifier, regardless of whether or not a trigger signal is present.

### 12V Trigger Input 3

An input jack for connecting the wires carrying a +12 volt trigger signal from a Rotel preamp or surround sound processor to turn the amplifier on and off. To use this feature the adjacent slide switch must be placed to the left position (see previous section).

The TRIGGER INPUT accepts any control signal (AC or DC) ranging from 3 volts to 30 volts. Use a cable with mono 3.5 mm mini-plugs on both ends. The +12 V DC signal appears at the "tip" connector.

### 12V Trigger Output 4

The 12V TRIG jack labeled OUT is used to pass the remote turn-on signal to a second Rotel amplifier. Any 12V Trigger signal at the INPUT jack will be passed through to the OUT jack.

### Circuit Breaker 5

A circuit breaker on the rear panel protects the amplifier's electrical circuitry. Generally, the circuit breaker will only open under a fault condition which results in excessive current draw. To reset the circuit breaker, press the button. Should it repeatedly open, contact your authorized Rotel dealer for troubleshooting assistance.

### Protection Indicators 6

A thermal protection circuit protects the amplifier against potential damage in the event of extreme or faulty operating conditions. Unlike many designs, the RMB-1506's protection circuit is independent of the audio signal and has no impact on sonic performance. Instead, the protection circuit monitors the temperature of the output devices and shuts down the amplifier if temperatures exceed safe limits.

In addition, the RMB-1506 includes overcurrent protection which operates only when load impedance drops too low.

Should a faulty condition arise, the amplifier will stop playing and one or more of the PROTECTION LEDS on the front panel will light. If this happens, turn the amplifier off, let it cool down for several minutes, and attempt to identify and correct the problem. There are independent PROTECTION LEDS for each pair of channels which may help in troubleshooting the cause of the problem. When you turn the amplifier back on, the protection circuit will automatically reset and the PROTECTION LEDS should go out.

In most cases, the protection circuitry activates because of a fault condition such as shorted speaker wires, or inadequate ventilation causing an overheating condition. In very rare cases, highly reactive or extremely low impedance speaker loads could cause the protection circuit to engage.

## Signal Connections

The RMB-1506 provides standard conventional input connections — unbalanced RCA type connections as found on nearly all audio equipment.

There is also a pair of SIGNAL OUTPUT LINK connections for passing the input signal connected to the "A" pair of channels on to another audio component. Additionally, the input signal to the "A" pair of channels can be automatically linked to the inputs for the "B" and/or "C" channels, so that a separate input signal cable is not required for those channels, for example in large systems where the RMB-1506 is being used to drive multiple pairs of speakers.

### RCA Inputs 7

See Figure 2

There are two RCA inputs for each of the three pair of amplifier channels. These RCA inputs accept audio signals from preamplifiers or surround sound processors. Use high quality audio interconnect cables for best performance.

For each pair of amplifier channels, connect the left channel output of your preamp to the LEFT INPUT on the RMB-1506. Connect the right channel of your preamp to the RIGHT INPUT. Make sure that the input slide switch to the right of the RCA inputs is in the STEREO position.

### Mono Switch 8

When the MONO switch is in the ON position, the "A" left channel input is connected to the right channel.

## Linking the Inputs

You can link the inputs for groups “B” and/or “C” to the “A” inputs by placing the input slide switch to the right of each pair of RCA inputs in the LINK position. When linked, no input connection is required for that group. The input signal from the “A” group is sent to the linked pair of channels, allowing you to use four or six amplifier channels with the same stereo input signals.

## Input Level Controls

Three controls on the front panel, one for each pair of channels, provide input level adjustments. These allow you to adjust the gain of the amplifier to match other components in the system. The A level control changes the gain of the “A” channels; the B level control changes the “B” channels; the C level control changes the “C” channels.

To adjust these controls, use a small, flatblade screwdriver. Turn the control clockwise to increase gain. Turn counterclockwise to reduce gain.

## Signal Output Link

This pair of RCA connections can be used to pass the unprocessed input signals to another audio component, for example to “daisy-chain” an additional amplifier to drive a second set of speakers. The input signals connected to the “A” channels is also available at these LINK outputs.

---

**Note:** These input signals from the “A” channels can also be linked to the “B” and/or “C” inputs by playing the INPUT SELECT switch associated with that pair of channels in the LINK position.

---

# Speakers

The RMB-1506 has three groups of speaker connectors, one for each pair of amplifier channels.

## Speaker Selection

The nominal impedance of the loudspeaker(s) connected to the RMB-1506 should be a minimum of 4 ohms. When driving multiple pairs of speakers connected in parallel, the effective impedance the amplifier sees is cut in half. For example, when driving two pair of 8 ohm speakers, the amplifier sees a 4 ohm load. When driving multiple speakers in parallel, select speakers with a nominal impedance of 8 ohms or higher.

## Speaker Wire Selection

Use insulated two-conductor stranded wire to connect the RMB-1506 to the speakers. The size and quality of the wire can have an audible effect on the performance of the system. Standard speaker wire will work, but can result in lower output or diminished bass response, particularly over longer distances. In general, heavier wire will improve the sound. For best performance, you may want to consider special high-quality speaker cables. Your authorized Rotel dealer can help in the selection of appropriate cables for your system.

## Polarity and Phasing

The polarity or positive/negative orientation of the connections for every speaker and amplifier connection must be consistent so all the speakers will be in phase. If the polarity of one connection is mistakenly reversed, bass output will be very weak and stereo imaging degraded. All speaker wire is marked so you can identify the two conductors. There may be ribs or a stripe on the insulation of one conductor. The wire may have clear insulation with different color conductors (copper and silver). There may be polarity indications printed on the insulation. Identify the positive and negative conductors and be consistent with every speaker and amplifier connection.

## Speaker Connections

See Figure 2

The RMB-1506 has two pair of color coded connections for each group of amplifier channels, one for the left speaker, the other for the right speaker. Labels above the connectors show the proper connections for connecting speakers. These speaker connectors accept bare wire, connector lugs, or “banana” type connectors (except in the European Community countries where their use is not permitted).

Route the wires from the RMB-1506 to the speakers. Give yourself enough slack so you can move the components enough to allow access to the speaker connectors.

If you are using banana plugs, connect them to the wires and then plug into the backs of the speaker connectors. The collars of the speaker connectors should be screwed in all the way (clockwise).

If you are using terminal lugs, connect them to the wires. If you are attaching bare wires directly to the speaker connectors, separate the wire conductors and strip back the insulation from the end of each conductor. Be careful not to cut into the wire strands. Unscrew (turn counterclockwise) the speaker connector collar. Place the connector lug around the shaft, or insert the bundled wire into the hole in the shaft. Turn the collars clockwise to clamp the connector lug or wire firmly in place.

---

**Note:** Be sure there are no loose wire strands that could touch adjacent wires or connectors.

---

For each group of channels, connect the left speaker to the pair of speaker connectors labeled LEFT. Connect the right speaker to the speaker connectors labeled RIGHT. Follow the labels printed above the connectors, Make sure that the positive terminal of the speaker is connected to the + terminal on the amplifier. Make sure that the negative terminal of the speaker is connected to the – terminal of the amplifier.

## Troubleshooting

Most difficulties in audio systems are the result of poor or wrong connections, or improper control settings. If you encounter problems, isolate the area of the difficulty, check the control settings, determine the cause of the fault and make the necessary changes. If you are unable to get sound from the RMB-1506, refer to the suggestions for the following conditions:

### Front Panel Power Indicator Is Not Lit

No main power to the RMB-1506. Check AC power connections at the amplifier and the AC outlet. Check the front panel power switch. Make sure that it is set to the ON position. If using signal sensing auto power-on, make sure that a signal is present at the inputs. If using 12V trigger power-on, make sure that a trigger signal is present at rear panel 12V TRIG IN connector.

### No Sound

If the amp is getting AC power, but is producing no sound, check the PROTECTION INDICATORS on the front panel. If lit, see below. If not, check all of your connections and control settings on associated components.

### Protection Indicator Is Lit

The front panel PROTECTION INDICATORS light when the RMB-1506 protection circuits have shut off the amplifier. Typically, this occurs only when the ventilation openings are blocked, when there is faulty speaker wiring, or after a period of extreme use. Turn off the system and wait for the amp to cool. Then push the front panel power switch in and out to reset the protection devices. If the problem is not corrected or reoccurs, there is a problem with the system or the amplifier itself.

## Specifications

**Continuous Power Output** (*into 8 ohms, 20-20k Hz, < 0.03% THD*)  
6 x 50 watts/channel all channels driven

**Continuous Power Output into 4 ohms** (*DIN 1 kHz, 1.0% THD*)  
6 x 80 watts/channel all channels driven

**Total Harmonic Distortion** (*20Hz-20kHz, 8 ohms*)  
Continuous rated power: < 0.03%  
One-half rated power: < 0.03%  
1 watt power: < 0.03%

**Intermodulation Distortion** (*60 Hz: 7 kHz, 4:1*)  
< 0.03%

**Damping Factor** (*20-20,000 Hz, 8 ohms*)  
>200

**Input Impedance**  
20 k Ohms

**Input Sensitivity**  
1.0 volt

**Amplifier Gain**  
26 dB

**Input Overload Level**  
5.0 volt

**Peak Current**  
> 25 A

**Frequency Response** (*±1 dB*)  
10Hz –100kHz

**S/N Ratio** (*IHF A*)  
115 dB

**Crosstalk/Separation**  
> 70 dB

**Speaker Impedance**  
4 ohms minimum

**Auto Turn On Level** (*with all inputs*)  
1 mV input signal

**Power Requirements**  
USA: 120 Volts, 60 Hz  
Europe: 230 Volts, 50 Hz

**Power Consumption**  
450 Watts  
Idle: 42 Watts  
Standby: 2.6 Watts

**Dimensions** (*W x H x D*)  
431 x 144 x 424 mm  
17 x 5.7 x 16.7 in

**Weight** (*net*)  
15.3 kg, 33.75 lb.

**Panel Height**  
3U, 132.6 mm/5.2 in

All specifications are accurate at the time of printing.  
Rotel reserves the right to make improvements without notice.

## Remarques importantes concernant la sécurité

**ATTENTION** : Il n'y a à l'intérieur aucune pièce susceptible d'être modifiée par l'utilisateur. Adressez-vous impérativement à une personne qualifiée.

**ATTENTION** : Pour réduire tout risque d'électrisation ou d'incendie, ne pas exposer l'appareil à une source humide, ou à tout type de risque d'éclaboussure ou de renversement de liquide. Ne pas poser dessus d'objet contenant un liquide, comme un verre, un vase, etc. Prenez garde à ce qu'aucun objet ou liquide ne tombe à l'intérieur de l'appareil par ses orifices de ventilation. Si l'appareil est exposé à l'humidité ou si un objet tombe à l'intérieur, débranchez-le immédiatement de son alimentation secteur, et adressez-vous immédiatement et uniquement à une personne qualifiée et agréée.

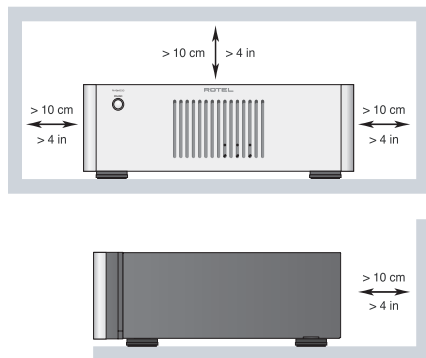
Tous les conseils de sécurité et d'installation doivent être lus avant de faire fonctionner l'appareil. Conservez soigneusement ce livret pour le consulter à nouveau pour de futures références.

Tous les conseils de sécurité doivent être soigneusement respectés. Suivez les instructions. Respectez les procédures d'installation et de fonctionnement indiquées dans ce manuel.

L'appareil doit être nettoyé uniquement avec un chiffon sec ou un aspirateur.

Ne pas utiliser cet appareil à proximité d'une source d'eau.

**L'appareil doit être placé de telle manière que sa propre ventilation puisse fonctionner, c'est-à-dire dans un espace libre d'une dizaine de centimètres minimum autour de lui. Il ne doit pas être posé sur un fauteuil, un canapé, une couverture ou toute autre surface susceptible de boucher ses ouïes d'aération ; ou placé dans un meuble empêchant la bonne circulation d'air autour des orifices d'aération.**



Cet appareil doit être placé loin de toute source de chaleur, tels que radiateurs, chaudières, bouches de chaleur ou d'autres appareils (y compris amplificateurs de puissance) produisant de la chaleur.

**ATTENTION** : La prise secteur en face arrière constitue le moyen principal pour connecter/déconnecter l'appareil de son alimentation secteur. L'appareil doit donc être installé de telle manière que ce câble d'alimentation soit accessible en permanence.

Cet appareil doit être branché sur une prise d'alimentation secteur, d'une tension et d'un type conformes à ceux qui sont indiqués sur la face arrière de l'appareil (USA : 120 V/60 Hz, CE : 230 V/50 Hz)

Brancher l'appareil uniquement grâce au cordon secteur fourni, ou à un modèle équivalent. Ne pas tenter de modifier ou changer la prise. Notamment, ne pas tenter de supprimer la prise de terre (troisième broche de la prise) si celle-ci est présente. Si la prise n'est pas conforme à celles utilisées dans votre installation électrique, consultez un électricien agréé. Ne pas utiliser de cordon rallonge.

Prendre garde à ce que ce cordon d'alimentation ne soit pas pincé, écrasé ou détérioré sur tout son trajet, et à ce qu'il ne soit pas mis en contact avec une source de chaleur. Vérifiez soigneusement la bonne qualité des contacts, à l'arrière de l'appareil comme dans la prise murale.

La prise d'alimentation secteur constitue le moyen radical de déconnexion de l'appareil. Elle doit donc rester en permanence accessible, car sa déconnexion constitue la seule assurance que l'appareil n'est plus alimenté par le secteur. La diode LED de mise en veille Standby ne s'allume plus lorsque ce cordon d'alimentation est débranché.

Prendre garde à ce que ce cordon d'alimentation ne soit pas pincé, écrasé ou détérioré sur tout son trajet, et à ce qu'il ne soit pas mis en contact avec une source de chaleur. Vérifiez soigneusement la bonne qualité des contacts, à l'arrière de l'appareil comme dans la prise murale.

Débranchez le câble d'alimentation en cas d'orage, ou si l'appareil ne doit pas être utilisé pendant une longue période.

N'utilisez que des accessoires préconisés par le constructeur.

N'utilisez que des meubles, supports, systèmes de transport recommandés par Rotel. Procédez toujours avec la plus extrême précaution lorsque vous déplacez l'appareil, afin d'éviter tout risque de blessure.

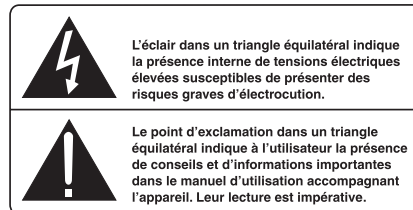


Utilisez un câble de type Classe 2 pour la liaison avec les enceintes acoustiques, afin de garantir une installation correcte et de minimiser les risques d'électrocution.

Si l'appareil ne doit pas être utilisé pendant une longue période, la prise secteur sera débranchée.

L'appareil doit être immédiatement éteint, débranché puis retourné au service après-vente agréé dans les cas suivants :

- Le câble d'alimentation secteur ou sa prise est endommagé.
- Un objet est tombé, ou du liquide a coulé à l'intérieur de l'appareil.
- L'appareil a été exposé à la pluie.
- L'appareil ne fonctionne manifestement pas normalement.
- L'appareil est tombé, ou le coffret est endommagé.



Tous les appareils Rotel sont conçus en totale conformité avec les directives internationales concernant les restrictions d'utilisation de substances dangereuses (RoHS) pour l'environnement, dans les équipements électriques et électroniques, ainsi que pour le recyclage des matériaux utilisés (WEEE, pour Waste Electrical and Electronic Equipment). Le symbole du conteneur à ordures barré par une croix indique la compatibilité avec ces directives, et le fait que les appareils peuvent être correctement recyclés ou traités dans le respect total de ces normes.



Ce symbole signifie que cet appareil bénéficie d'une double isolation électrique. Sa prise d'alimentation n'a pas besoin d'être reliée à la terre ou à une masse particulière.



## Sommaire

Figure 1: Commandes et branchements	3
Figure 2: Branchements principaux	4
Remarques importantes	5
<b>Remarques importantes concernant la sécurité</b> .....	<b>11</b>
<b>Au sujet de Rotel</b> .....	<b>12</b>
<b>Pour démarrer</b> .....	<b>13</b>
Caractéristiques principales	13
Installation	13
Kit de ventilation optionnel [4]	13
<b>Alimentation secteur et mise sous tension</b> .....	<b>13</b>
Prise d'alimentation secteur [11]	13
Interrupteur de mise sous tension et indicateur de fonctionnement [1]	14
Sélecteur de mode de mise sous tension ON/OFF [6]	14
Entrée Trigger 12 volts [7]	14
Sortie Trigger 12 volts [7]	14
Disjoncteur [10]	14
Indicateurs de protection [2]	14
<b>Branchements des signaux en entrée</b> .....	<b>14</b>
Entrées RCA [5]	15
Sélecteur Mono [5]	15
Relier les entrées [5]	15
Contrôles du niveau d'entrée [3]	15
Renvoi de signal de sortie [6]	15
<b>Enceintes acoustiques</b> .....	<b>15</b>
Sélection des enceintes	15
Choix de la section du câble d'enceintes	15
Polarité et mise en phase	15
Branchement des enceintes [9]	15
<b>Problèmes de fonctionnement</b> .....	<b>16</b>
L'indicateur Power de mise sous tension ne s'allume pas	16
Pas de son	16
Diode de protection allumée	16
<b>Spécifications</b> .....	<b>16</b>

## Au sujet de Rotel

Notre histoire commence il y a environ 50 ans. Depuis, au fil des années, nous avons reçu des centaines de prix et de récompenses, et sommes satisfaits des centaines de milliers de personnes – comme vous !

Rotel a été fondée par une famille passionnée de musique, qui a décidé de fabriquer des maillons Haute Fidélité sans compromis aucun. Depuis sa création, cette passion est restée intacte, et cette famille s'est fixée comme objectif de proposer à tous les audiophiles et mélomanes les meilleurs appareils possibles, quel que soit leur budget. Une volonté partagée par tous les employés de Rotel.

Les ingénieurs Rotel travaillent selon une équipe très soudée, écoutant, peaufinant chaque nouveau modèle jusqu'à ce qu'il atteigne exactement leurs standards – très élevés – de musicalité. Ils sont libres de choisir des composants en provenance du monde entier, afin de concevoir le produit le meilleur possible. C'est ainsi que vous trouverez dans nos appareils des condensateurs d'origine britannique ou allemande, des transistors japonais ou américains, tandis que les transformateurs toriques sont toujours fabriqués dans nos propres usines Rotel.

Nous sommes tous concernés par la qualité de l'environnement. Et, comme de plus en plus de produits électroniques sont fabriqués puis éliminés quelques années plus tard, il est désormais essentiel qu'un constructeur fabrique tous ses produits en veillant à ce qu'ils aient un impact minimum sur la terre et les nappes phréatiques.

Chez Rotel, nous sommes très fiers d'apporter notre pierre à ce nouvel édifice. Nous avons réduit la teneur en plomb de nos électroniques, en utilisant notamment une soudure spéciale ROHS, tandis que notre nouvelle gamme d'amplificateurs fonctionnant en classe D (non numérique) présente un rendement cinq fois supérieur aux générations conventionnelles précédentes, délivrant pourtant encore plus de puissance, avec une qualité encore supérieure. Ces appareils ne chauffent pas, dépensent beaucoup moins d'énergie, sont donc très bons pour l'environnement tout en étant encore plus musicaux.

En plus, nous imprimons tous nos catalogues et manuels sur papier recyclé.

Ce ne sont certes que de petites étapes. Mais ne sont-ce pas justement les plus importantes ? Nous continuons activement la recherche et la mise au point de nouvelles méthodes, et l'utilisation de nouveaux matériaux pour aboutir à un processus de fabrication général plus écologique et plus propre.

Tous les membres de l'équipe Rotel vous remercient pour l'achat de cet appareil. Nous sommes persuadés qu'il vous offrira de nombreuses années d'intense plaisir musical.

## Pour démarrer

Merci d'avoir acheté cet amplificateur de puissance six canaux Rotel RMB-1506. Il a été spécialement conçu pour contribuer à des heures et des heures de plaisir musical, que vous l'utilisiez dans une chaîne haute fidélité ou au sein d'un système Home Cinema.

Le RMB-1506 est un amplificateur de puissance six canaux particulièrement sophistiqué. Des composants de sortie indépendants de type discrets, une très grosse alimentation équipée de transformateurs toriques et de composants de premier choix, ainsi que le principe de conception Rotel «Balanced Design » garantissent des performances sonores remarquables. Sa très haute capacité en courant permet au RMB-1506 d'alimenter les enceintes acoustiques les plus difficiles.

### Caractéristiques principales

- Six canaux d'amplification, fournissant une puissance de 50 watts par canal, sur charge de 8 ohms.
- Contrôles de gain d'entrée en face avant.
- Configuration de mise sous tension «on/ off» sélectionnée par l'utilisateur: manuelle, automatique, par réception d'un signal à l'entrée, ou contrôlée par l'envoi d'une tension de commutation «trigger» 12 volts.
- Possibilité d'installation d'un kit de ventilation optionnel pour améliorer la dissipation de la chaleur et les performances.
- Circuit de protection totale, avec indicateurs en face avant.
- Sortie de renvoi du signal d'entrée, sans modification, pour alimentation d'autres amplificateurs indépendants.

### Quelques précautions

Veuillez lire ce manuel d'utilisation très soigneusement. Il vous donne toutes les informations nécessaires aux branchements et fonctionnement du RMB-1506. Si vous vous posez encore des questions, n'hésitez pas à contacter immédiatement votre revendeur agréé Rotel.

Conservez soigneusement l'emballage du RMB-1506. Il constitue le meilleur et le plus sûr moyen pour le transport futur de votre nouvel appareil. Tout autre emballage pourrait en effet entraîner des détériorations irréversibles à l'appareil.

Conservez la facture de votre appareil: c'est la meilleure preuve de votre propriété et de la date réelle d'achat. Elle vous sera utile en cas de nécessité de retour au service après-vente.

### Installation

Posez le RMB-1506 sur une surface plane et solide, éloigné des rayons directs du soleil, de la chaleur, de l'humidité ou des vibrations.

Ne posez pas d'autres maillons, ou objets, sur le dessus du RMB-1506. Ne laissez aucun liquide s'introduire dans l'appareil.

N'oubliez pas non plus, lors de son installation, qu'il s'agit d'un appareil lourd. L'étagère ou le support utilisés doivent être suffisamment robustes et rigides.

Le RMB-1506 génère de la chaleur pendant son fonctionnement normal. Ne bloquez donc pas ses ouvertures de refroidissement. **Il doit y avoir environ 10 cm de dégagement tout autour lui** pour permettre le bon fonctionnement de sa ventilation, et une bonne circulation d'air tout autour du meuble qui le supporte.

### Kit de ventilation optionnel

Les radiateurs généreusement dimensionnés du RMB-1506 fournissent un refroidissement suffisant dans la majorité des installations. Cependant, dans le cas d'un montage en rack, ou si l'amplificateur est installé dans un espace particulièrement confiné, ou encore à côté d'autres appareils générant également de la chaleur, une ventilation forcée supplémentaire peut être souhaitable. Le kit de ventilation optionnel RKBF-1 s'installe aisément et fournit cette ventilation forcée supplémentaire. Même dans les conditions de fonctionnement aux plus basses températures, le kit de ventilation optionnel améliore les performances de l'amplificateur, notamment lorsqu'il alimente des enceintes acoustiques présentant une charge particulièrement complexe. Consultez votre revendeur agréé Rotel au sujet de ce kit de ventilation optionnel.

---

**Note:** le kit de ventilation optionnel émet un bruit de fonctionnement mécanique lorsqu'il est activé. Si vous désirez l'utiliser, choisissez un emplacement pour l'amplificateur tenant compte de ce bruit supplémentaire.

---

## Alimentation secteur et mise sous tension

### Prise d'alimentation secteur

Le RMB-1506 est configuré en usine pour s'adapter à l'installation électrique utilisée dans votre pays d'utilisation (USA: 120 volts/60 Hz; Europe: 230 volts/50 Hz). Cette configuration est indiquée sur une étiquette, visible sur la face arrière de l'appareil.

Le RMB-1506 est livré avec son propre câble d'alimentation secteur. N'utilisez que ce câble, ou sont équivalent exactement semblable. Ne tentez pas de modifier ce câble. N'utilisez pas de câble rallonge.

Assurez-vous que l'interrupteur de mise sous tension Power Switch, en face avant, est bien en position «éteint» (OFF). Branchez alors le cordon secteur en face arrière sur la prise repérée POWER CONNECTOR, puis l'autre extrémité dans la prise murale d'alimentation.

Si vous vous absentez pendant une longue période, nous vous conseillons de débrancher la prise murale d'alimentation.



### Interrupteur de mise sous tension et indicateur de fonctionnement 1

L'interrupteur de mise sous tension se trouve sur la face avant de l'amplificateur. Il suffit d'appuyer dessus pour mettre l'amplificateur sous tension. L'anneau lumineux placé juste autour s'allume alors. Une nouvelle pression sur l'interrupteur éteint l'appareil.

### Sélecteur de mode de mise sous tension ON/OFF 6

Le RMB-1506 vous propose trois options différentes pour sa mise sous tension, manuelle ou automatique. Ces options sont choisies à partir d'un sélecteur à trois positions, placé en face arrière de l'appareil:

- **Avec le sélecteur en position repérée «OFF»,** l'amplificateur est mis sous ou hors tension manuellement, via sa touche Power en face avant. Vous utiliserez aussi ce mode si le câble secteur de l'amplificateur est branché sur une prise commutée, déclenchée déjà par un autre maillon.
- **Lorsque le sélecteur est placé sur sa position repérée «SIGNAL SENSE» (capteur de signal),** l'amplificateur s'allume automatiquement lorsqu'il détecte un signal sur ses entrées modulation. Il se remet en mode de veille Standby si aucun signal n'est détecté au bout de quelques minutes. L'interrupteur Power de la face avant doit être déjà pressé (mode ON) pour que cette détection de signal fonctionne. Sinon, l'amplificateur reste éteint en présence ou non d'un signal sur ses entrées.
- **Lorsque le sélecteur est placé sur la position repérée «+ 12V TRIG»,** l'amplificateur s'allume automatiquement lorsqu'une tension de 12 volts est envoyée sur sa prise jack 3,5 mm placée à gauche du sélecteur. Il se remet en mode de veille Standby dès que cette tension disparaît sur la prise. L'interrupteur POWER SWITCH en face avant est placé avant ce sélecteur: il doit être pressé (ON) pour que la commutation TRIGGER 12 V soit effective et efficace. Couper l'alimentation avec cet interrupteur (OFF) éteint l'amplificateur, qu'il y ait ou non une tension de 12 volts sur la prise TRIGGER.

### Entrée Trigger 12 volts 7

La prise jack 3,5 mm repérée IN est prévue pour transporter la tension de 12 volts nécessaire au fonctionnement de la commutation TRIGGER que nous venons de décrire, la tension étant envoyée par un processeur Surround ou préamplificateur Rotel. Pour être efficace, le sélecteur doit être sur sa position la plus à gauche (voir paragraphe précédent).

Cette entrée accepte en fait une tension continue ou alternative, d'une valeur comprise entre 3 et 30 volts. Utilisez un câble équipé de prises mini-jacks 3,5 mm mono à chacune de ses extrémités. Le positif «+ 12 V» se trouve sur la pointe des mini-jacks.

### Sortie Trigger 12 volts 7

La prise 12 V TRIG repérée OUT permet de brancher une autre prise jack 3,5 mm pour renvoyer la tension de commutation 12 volts vers un autre appareil. La tension 12 volts n'est toutefois présente que si la prise INPUT est réellement alimentée par une telle tension, tension renvoyée alors sur la prise OUT.

### Disjoncteur 10

Un disjoncteur, accessible en face arrière, protège les circuits électriques de l'amplificateur. Ce disjoncteur ne s'activera généralement qu'en cas d'utilisation inappropriée, se traduisant par la présence d'un courant excessif. Pour réarmer le disjoncteur, pressez ce bouton. S'il s'enclenche à nouveau à plusieurs reprises, contactez immédiatement votre revendeur agréé Rotel.

### Indicateurs de protection 12

Un circuit de protection thermique protège l'amplificateur contre tout dommage éventuel dû à des conditions de fonctionnement anormales ou extrêmes. Contrairement à la majorité des autres amplificateurs de puissance, le circuit de protection du RMB-1506 est totalement indépendant du trajet du signal audio, et n'a donc aucune influence sur les performances musicales. Ce circuit contrôle aussi en permanence la température des étages de sortie, et coupe automatiquement l'amplificateur si celle-ci dépasse une valeur normale.

De plus, le RMB-1506 intègre une protection contre les surcharges qui se met en service si l'impédance de charge en sortie devient trop basse.

Si un fonctionnement anormal survient, l'amplificateur s'arrête de fonctionner et une ou plusieurs des diodes LED «PROTECTION» (une par paire de canaux) de la face avant s'allume(nt), indiquant un problème sur un des canaux, ou les deux canaux.

Si cela se produit, éteignez l'amplificateur, et laissez-le se refroidir naturellement pendant plusieurs minutes. Profitez-en pour tenter d'identifier et de corriger le problème. Lorsque vous rallumerez l'amplificateur, le circuit de protection doit normalement se réinitialiser automatiquement, et la ou les diodes PROTECTION s'éteindre.

Dans la plupart des cas, la mise en service de la protection est due à un court-circuit dans les câbles des enceintes acoustiques, ou à cause d'un mauvais respect de la ventilation correcte de l'amplificateur. Dans de très rares cas, la charge à très faible impédance ou très réactive de certaines enceintes acoustiques peut entraîner la mise en service de la protection.

## Branchements des signaux en entrée

Le RMB-1506 propose des entrées asymétriques de type RCA, standard traditionnel que l'on trouve sur la quasi-totalité des maillons audio complémentaires.

Il y a également une paire de prises RCA supplémentaire, repérée SIGNAL OUTPUT LINK, qui permet de renvoyer le signal branché sur la paire de canaux repérée «A» vers les entrées des paires de canaux repérées «B» et/ou «C», ce qui permet d'alimenter plusieurs paires d'enceintes acoustiques avec le même signal sans avoir à utiliser de câbles externes supplémentaires.

## Entrées RCA

Voir Figure 2

Il y a deux entrées par prises RCA pour chacune des trois paires de canaux d'amplification. Elles acceptent le signal de sortie en provenance d'un préamplificateur ou d'un processeur Surround. N'utilisez que des câbles de liaison de très haute qualité pour les meilleures performances possibles.

Pour chaque paire de canaux, branchez la sortie gauche (left) du préamplificateur sur l'entrée repérée LEFT INPUT du RMB-1506. Branchez la sortie droite de la même manière, sur la prise repérée RIGHT INPUT. Assurez-vous que le commutateur placé à droite des entrées RCA est bien dans la position STEREO.

## Sélecteur Mono

Lorsque le sélecteur MONO est sur sa position ON, l'entrée du canal gauche A est reliée au canal d'amplification droit.

## Relier les entrées

Vous pouvez relier les entrées des groupes repérés «B» et/ou «C» aux entrées repérées «A» en positionnant le sélecteur se trouvant à droite de chaque paire de prises RCA correspondantes dans la position «LINK». Dans ce cas, plus aucun câblage n'est nécessaire sur les entrées placées sur LINK. Le signal d'entrée branché sur «A» est envoyé automatiquement aux paires de canaux ainsi reliées, ce qui vous permet d'utiliser les six canaux d'amplification à partir du même signal d'entrée stéréo.

## Contrôles du niveau d'entrée

Trois contrôles placés en face avant, un pour chaque paire de canaux, permettent de régler le gain en entrée. Cela permet d'équilibrer le niveau sonore de tous les composants, même dans les installations les plus complexes. Le bouton repéré «A» règle le gain de la paire de canaux «A»; le bouton repéré «B» règle le gain de la paire «B»; et le bouton repéré «C» règle le gain de la paire repérée «C».

Pour régler ces boutons, utilisez un tournevis à lame étroite et fine: pour augmenter le niveau dans le sens des aiguilles d'une montre, et dans le sens inverse pour diminuer le niveau.

## Renvoi de signal de sortie

Cette paire de prises RCA peut être utilisée pour transmettre le signal, non traité, envoyé au RMB-1506, vers un autre amplificateur indépendant «chaîné» au premier, par exemple pour alimenter une seconde paire d'enceintes acoustiques. C'est le signal d'entrée envoyé sur les canaux «A» qui est disponible sur ces sorties LINK.

---

**Note:** Les signaux d'entrée branchés sur la paire «A» peuvent toujours être également envoyés vers les entrées «B» et/ou «C» en positionnant le sélecteur repéré «INPUT SELECT» sur la position LINK, pour la paire de canaux que l'on désire ainsi associer.

---

## Enceintes acoustiques

Le RMB-1506 possède trois paires de prises pour enceintes acoustiques, soit une paire par paire de canaux d'amplification.

### Sélection des enceintes

L'impédance nominale de chaque enceinte branchée sur le RMB-1506, suivant le mode de fonctionnement choisi doit être au minimum de 4 ohms. Souvenez-vous d'autre part que lorsqu'un amplificateur alimente plus d'une enceinte en parallèle, l'impédance résultante est divisée par deux. Par exemple, deux enceintes, de 8 ohms chacune, branchée simultanément sur le même canal donnent une impédance de 4 ohms, vue par l'amplificateur. Si vous branchez deux enceintes sur le même canal, choisissez des modèles d'impédance nominale 8 ohms minimum.

### Choix de la section du câble d'enceintes

Utilisez du câble deux conducteurs isolés pour relier le RMB-1506 aux enceintes. La taille et la qualité du câble peuvent avoir de l'influence sur les performances musicales. Un câble standard fonctionnera, mais il peut présenter des limitations quant à la dynamique réellement reproduite ou à la qualité du grave, surtout sur de grandes longueurs. En général, un câble de plus fort diamètre entraîne une amélioration du son. Pour des performances optimales, penchez-vous sur l'offre en terme de câbles spécialisés, de très haute qualité. Votre revendeur agréé Rotel est en mesure de vous renseigner efficacement à ce sujet.

### Polarité et mise en phase

La polarité – autrement dit l'orientation correcte du «+» et du «-» pour chaque branchement entre le RMB-1506 et les enceintes acoustiques doit être respectée pour toutes les enceintes, afin que celles-ci soient toutes en phase. Si la phase d'une seule enceinte est inversée, il en résultera un manque de grave sensible et une dégradation importante de l'image stéréophonique. Tous les câbles sont repérés afin que vous puissiez identifier clairement leurs deux conducteurs. Soit les câbles sont différents (un cuivré, un argenté), soit la gaine est de couleur différente (filet de couleur), soit elle est gravée. Assurez-vous que vous repérez bien le conducteur pour toutes les liaisons, et que vous respectez parfaitement la phase sur toutes les enceintes acoustiques, par rapport à l'entrée.

### Branchement des enceintes

Voir Figure 2

Le RMB-1506 est équipé d'une paire de bornes vissantes, repérées par leur code de couleur (-) et (+), pour chaque groupe de canaux d'amplification. Les inscriptions gravées au-dessus de chaque prise indiquent le branchement correct. Ces prises acceptent indifféremment du câble nu, des cosses ou fourches spéciales, ou encore des fiches banane (sauf en Europe, où les nouvelles normes CE l'interdisent).

Tirez les câbles de l'amplificateur RMB-1506 vers les enceintes acoustiques. Prévoyez suffisamment de longueur pour qu'ils ne subissent aucune contrainte sur toute leur longueur et que vous puissiez déplacer les éléments sans qu'ils soient tendus.

Si vous utilisez des fiches dites «banane», connectez-les d'abord aux câbles, puis branchez-les à l'arrière des prises des enceintes acoustiques. Les bornes des enceintes doivent rester totalement vissées (sens des aiguilles d'une montre) avant leur insertion.



Si vous utilisez des fourches, commencez par les relier/souder sur les câbles. Si vous utilisez du fil nu, dénudez tous les câbles sur une longueur suffisante, et torsadez les brins de chaque conducteur de telle manière qu'aucun brin ne puisse venir en contact avec un autre d'un autre conducteur (court-circuit). Suivant la taille des torsades, insérez-les dans les trous centraux des prises ou entourez-le autour des axes de celles-ci (sens des aiguilles d'une montre), de la même manière que pour les fourches. Dans tous les cas, serrez fermement à la main les bornes vissantes.

**Note:** Vérifiez bien qu'il n'y ait aucun brin qui vienne en contact avec des brins ou la prise adjacente.

Pour chaque paire de canaux d'amplification, branchez l'enceinte de gauche sur la paire de prises repérées LEFT. Branchez l'enceinte de droite sur la paire de prises repérées RIGHT. Suivez les inscriptions portées au-dessus des prises pour respecter la bonne polarité «+» et «-». Assurez-vous que la prise négative de l'enceinte est bien reliée à la prise négative de l'amplificateur.

## Problèmes de fonctionnement

La majorité des problèmes survenant dans une installation haute fidélité est due à de mauvais branchements, ou à une mauvaise utilisation d'un ou de plusieurs maillons. Si le problème est bien lié au RMB-1506, il s'agit très certainement d'un mauvais branchement. Voici quelques vérifications de base qui résolvent la majorité des problèmes rencontrés:

### L'indicateur Power de mise sous tension ne s'allume pas

L'amplificateur RMB-1506 n'est pas alimenté par le secteur. Vérifiez la position de l'interrupteur de mise sous tension Power (position ON). Si vous avez choisi l'option de mise sous tension par présence d'un signal à l'entrée SIGNAL SENSING, assurez-vous qu'un tel signal est bien présent ! Idem pour la position 12 V TRIG., ou une tension de commutation doit bien être présente sur la prise jack correspondante.

### Pas de son

Si l'amplificateur est bien sous tension mais qu'aucun son n'en sort, regardez les diodes PROTECTION INDICATORS sur la face avant. Si elles sont allumées, voir le paragraphe suivant. Si elles sont éteintes, vérifiez tous les maillons du système, la qualité des branchements et la position des diverses commandes.

### Diode de protection allumée

Le circuit de protection PROTECTION INDICATORS est entré en fonctionnement et la diode de protection correspondante s'est allumée. Cela arrive principalement quand les ouïes d'aération ont été obstruées, quand il y a un court-circuit dans les sorties enceintes, ou si l'amplificateur a fonctionné très longtemps à puissance maximum. Éteignez l'amplificateur et attendez qu'il refroidisse. Le fait d'appuyer à nouveau sur l'interrupteur de mise sous tension pour rallumer l'appareil entraînera la réinitialisation automatique des circuits de protection. Si la protection se remet à fonctionner, il y a un problème dans le système ou l'amplificateur lui-même.

## Spécifications

**Puissance de sortie continue sur 8 ohms** (20 – 20 000 Hz, DHT < 0,03 %)

6 x 50 watts/canal sur 8 ohms, tous les canaux en service

**Puissance de sortie continue sur 4 ohms** (DIN 1 kHz, DHT 1 %)

6 x 80 watts/canal sur 4 ohms, tous les canaux en service

**Distorsion harmonique totale** (20 – 20 000 Hz, 8 ohms)

Puissance maximale continue: < 0,03 %

Demi-puissance: < 0,03 %

Puissance 1 watt: < 0,03 %

**Distorsion d'intermodulation** (60 Hz: 7 kHz, 4:1)

< 0,03 %

**Facteur d'amortissement** (20 – 20 000 Hz, 8 ohms)

> 200

**Impédance d'entrée**

20 kilohms

**Sensibilité d'entrée**

1 volt

**Gain d'amplification**

26 dB

**Niveau de saturation de l'entrée**

5 volts

**Courant de crête**

> 25 A

**Réponse en fréquence** ( $\pm 1$  dB)

10 Hz – 100 kHz

**Rapport signal/bruit** (pondéré A IHF)

115 dB

**Diaphonie/Séparation des canaux**

> 70 dB

**Impédance des enceintes**

4 ohms minimum

**Seuil d'activation de la mise sous tension automatique**

1 mV signal entrée

**Alimentation**

USA: 120 volts, 60 Hz

Europe: 230 volts, 50 Hz

**Consommation**

450 watts

Moyenne: 42 watts

En veille: 2,6 watts

**Dimensions** (L x H x P)

431 x 144 x 424 mm

**Poids** (net)

15,3 kg

**Hauteur face avant**

3U, soit 132,6 mm

Toutes les spécifications sont certifiées exactes au moment de l'impression. Rotel se réserve le droit d'apporter des améliorations sans préavis.

# Wichtige Sicherheitshinweise

**WARNUNG:** Im Innern des Gerätes befinden sich keine vom Bediener zu wartenden Teile. Alle Servicearbeiten müssen von qualifiziertem Servicepersonal durchgeführt werden.

**WARNUNG:** Zum Schutz vor Feuer oder einem elektrischen Schlag darf das Gerät weder Feuchtigkeit noch Wasser ausgesetzt werden. Achten Sie darauf, dass keine Spritzer in das Gerät gelangen. Stellen Sie keine mit Flüssigkeit gefüllten Gegenstände (z. B. Vasen) auf das Gerät. Das Eindringen von Gegenständen in das Gehäuse ist zu vermeiden. Sollte das Gerät trotzdem einmal Feuchtigkeit ausgesetzt sein oder ein Gegenstand in das Gehäuse gelangen, so trennen Sie es sofort vom Netz. Lassen Sie es von einem Fachmann prüfen und die notwendigen Reparaturarbeiten durchführen.

Lesen Sie sich alle Hinweise vor dem Anschließen und dem Betrieb des Gerätes genau durch.

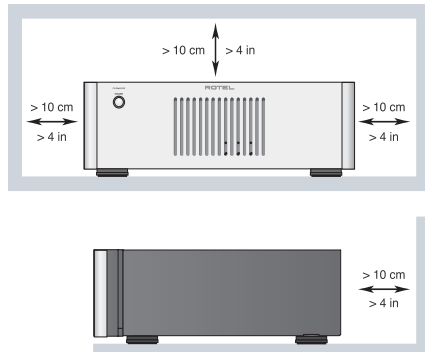
Bewahren Sie die Bedienungsanleitung so auf, dass sie jederzeit Zugriff auf diese Sicherheitshinweise haben.

Alle Warn- und Sicherheitshinweise in dieser Bedienungsanleitung und auf dem Gerät müssen genau beachtet werden. Außer den beschriebenen Handgriffen sind vom Bediener keine Arbeiten am Gerät vorzunehmen.

Reinigen Sie das Gehäuse nur mit einem weichen, trockenen Tuch oder einem Staubsauger.

Nutzen Sie das Gerät nicht in der Nähe von Wasser.

**Stellen Sie sicher, dass um das Gerät ein Freiraum von 10 cm gewährleistet ist.**



Stellen Sie das Gerät weder auf ein Bett, Sofa, Teppich oder ähnliche Oberflächen, damit die Ventilationsöffnungen nicht verdeckt werden. Das Gerät sollte nur dann in einem Regal oder in einem Schrank untergebracht werden, wenn eine ausreichende Luftzirkulation gewährleistet ist.

Stellen Sie das Gerät nicht in die Nähe von Wärmequellen (Heizkörper, Wärmespeicher, Öfen oder sonstige wärmeerzeugende Geräte).

**WARNUNG:** Die Verbindung mit dem Netz kann nur über den Netzeingang an der Geräterückseite unterbrochen werden. Das Gerät muss so aufgestellt werden, dass Sie freien Zugriff auf den Netzeingang haben.

Bevor Sie das Gerät in Betrieb nehmen, prüfen Sie, ob die Betriebsspannung mit der örtlichen Netzspannung (Europa: 230 V/50 Hz) übereinstimmt. Die Betriebsspannung ist an der Rückseite des Gerätes angegeben.

Schließen Sie das Gerät nur mit dem dazugehörigen zweipoligen Netzkabel an die Wandsteckdose an. Modifizieren Sie das Netzkabel auf keinen Fall. Versuchen Sie nicht, die Erdungs- und/oder Polarisationsvorschriften zu umgehen. Passt der Stecker nicht in die Steckdose, wenden Sie sich an einen qualifizierten Fachmann. Verwenden Sie keine Verlängerungskabel.

Netzkabel sind so zu verlegen, dass sie nicht beschädigt werden können (z. B. durch Trittbelastung, Möbelstücke oder Erwärmung). Besondere Vorsicht ist dabei an den Steckern, Verteilern und den Anschlussstellen des Gerätes geboten.

Bei Gewitter oder wenn Sie das Gerät für eine längere Zeit nicht in Betrieb nehmen ziehen Sie den Netzstecker aus der Steckdose.

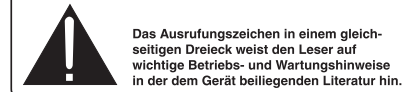
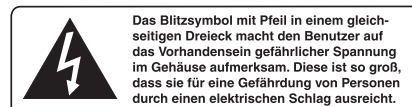
Benutzen Sie nur vom Hersteller empfohlenes Zubehör.

Verwenden Sie nur von Rotel empfohlene Transportmittel, Racks, Halterungen oder Regalsysteme. Seien Sie vorsichtig, wenn Sie das Gerät in einem Ständer oder Rack bewegen, um Verletzungen durch Umkippen vorzubeugen.



Verwenden Sie gemäß Class 2 isolierte Lautsprecherkabel, um eine ordnungsgemäße Installation zu gewährleisten und die Gefahr eines elektrischen Schlages zu minimieren.

- Schalten Sie das Gerät sofort aus und ziehen Sie geschultes Fachpersonal zu Rate, wenn:
- das Netzkabel oder der Stecker beschädigt sind,
  - Gegenstände bzw. Flüssigkeit in das Gerät gelangt sind,
  - das Gerät Regen ausgesetzt war,
  - das Gerät nicht ordnungsgemäß funktioniert bzw. eine deutliche Leistungsminderung aufweist,
  - das Gerät hingefallen ist bzw. beschädigt wurde.



Rotel-Produkte entsprechen den internationalen Richtlinien über die Beschränkung der Verwendung bestimmter gefährlicher Stoffe in Elektro- und Elektronikgeräten (Restriction of Hazardous Substances (kurz RoHS genannt)) und über Elektro- und Elektronik-Altgeräte (Waste Electrical and Electronic Equipment (WEEE)). Die durchgestrichene Mülltonne steht für deren Einhaltung und besagt, dass die Produkte ordnungsgemäß recycelt oder diesen Richtlinien entsprechend entsorgt werden müssen.



Dieses Symbol bedeutet, dass das Gerät doppelt isoliert ist. Es muss daher nicht geerdet werden.



## Inhaltsverzeichnis

Figure 1: Bedienelemente und Anschlüsse	3
Figure 2: Anschlussdiagramm	4
Wichtige Hinweise	5
<b>Wichtige Sicherheitshinweise</b> .....	<b>17</b>
<b>Die Firma Rotel</b> .....	<b>18</b>
<b>Zu dieser Anleitung</b> .....	<b>19</b>
Ausstattungsmerkmale	19
Einige Vorsichtsmaßnahmen	19
Aufstellung des Gerätes	19
Optionales Lüfter-Kit <b>4</b>	19
<b>Netzspannung und Bedienung</b> .....	<b>19</b>
Netz Eingang <b>11</b>	19
Netzschalter und Betriebsanzeige <b>1</b>	19
Auto Turn on/off-Schalter <b>8</b>	20
12-V-Trigger-Eingang <b>7</b>	20
12-V-Trigger-Ausgang <b>7</b>	20
Sicherungsautomat <b>10</b>	20
PROTECTION-LEDs <b>2</b>	20
<b>Signalanschlüsse</b> .....	<b>20</b>
Cinch-Eingänge <b>5</b>	20
Mono-Schalter <b>5</b>	20
LINK-Funktion <b>5</b>	20
Pegelsteller <b>3</b>	21
Signal Output Link <b>6</b>	21
<b>Lautsprecher</b> .....	<b>21</b>
Auswahl der Lautsprecher	21
Auswahl der Lautsprecherkabel	21
Polarität und Phasenabgleich	21
Anschließen der Lautsprecher <b>9</b>	21
<b>Störungssuche und -beseitigung</b> .....	<b>22</b>
Die Betriebsanzeige an der Gerätefront leuchtet nicht	22
Kein Ton	22
Die PROTECTION-LEDs leuchten	22
<b>Technische Daten</b> .....	<b>22</b>

## Die Firma Rotel

Unsere Geschichte begann vor ungefähr 50 Jahren. In den folgenden Jahrzehnten haben wir Hunderte von Auszeichnungen für unsere Produkte erhalten und unzähligen Menschen echten Hörgenuss bereitet, denen gute Unterhaltung wichtig ist.

Rotel wurde von einer Familie gegründet, deren Interesse an Musik so groß war, dass sie beschloss, hochwertigste HiFi-Produkte herzustellen und Musikliebhabern ungeachtet ihres Geldbeutels einen außergewöhnlichen Wert zukommen zu lassen. Ein Ziel, das von allen Rotel-Mitarbeitern verfolgt wird.

Die Ingenieure arbeiten als Team eng zusammen. Sie hören sich jedes neue Produkt an und stimmen es klanglich ab, bis es den gewünschten Musikstandards entspricht. Die eingesetzten Bauteile stammen aus verschiedenen Ländern und wurden ausgewählt, um das jeweilige Produkt zu optimieren. So finden Sie in Rotel-Geräten Kondensatoren aus Großbritannien und Deutschland, Halbleiter aus Japan oder den USA und direkt bei Rotel gefertigte Ringkerntransformatoren.

Wir fühlen uns unserer Umwelt gegenüber verpflichtet. Und da immer mehr Elektronik produziert wird und später entsorgt werden muss, ist es von Herstellerseite besonders wichtig, Produkte zu entwickeln, die unsere Mülldeponien und Gewässer möglichst wenig belasten.

Rotel ist stolz darauf, seinen Beitrag zu leisten. So konnten wir den Bleianteil in unserer Elektronik durch bleifreies Lötten reduzieren. Unsere neuen Class-D-Verstärker (nicht digital) arbeiten bis zu 5-mal effizienter als ältere Verstärker-Designs, ohne dabei an Leistung und Performance zu verlieren. Mit ihren geringeren Wärmeverlusten schonen diese Produkte nicht nur die Umwelt, sie überzeugen auch klanglich.

Last, not least ist diese Anleitung auf Recyclingpapier gedruckt.

Dies sind zwar kleine, aber wichtige Schritte. Und wir forschen weiter nach Verfahren und Materialien für einen saubereren und umweltfreundlicheren Herstellungsprozess.

Vielen Dank, dass Sie sich für dieses Rotel-Produkt entschieden haben. Wir sind sicher, dass Sie in den nächsten Jahren viel Freude daran haben werden.

## Zu dieser Anleitung

Vielen Dank, dass Sie sich für die Rotel-Sechskanal-Endstufe RMB-1506 entschieden haben. In einem hochwertigen Musik- oder HiFi-Cinema-System werden Sie mit dieser Rotel-Endstufe viele Jahre Musikgenuss pur erleben.

Die RMB-1506 ist eine moderne Sechskanal-Endstufe. Sie überzeugt dank diskreter Leistungstransistoren, einem leistungsstarken Netzteil mit Ringkerntransformator, erstklassigen Bauteilen und Rotels Balanced-Design-Konzept mit höchster Wiedergabequalität. Aufgrund der hohen Stromlieferfähigkeit kann die RMB-1506 problemlos mit anspruchsvollen Lautsprechern kombiniert werden.

### Ausstattungsmerkmale

- Sechskanal-Endstufe mit 50 Watt pro Kanal an 8 Ohm.
- Pegelsteller an der Gerätefront.
- Power on/off-Konfiguration: Manuell, über Eingangssignal-Erkennung oder über 12-Volt-Trigger-Signal.
- Einbauvorrichtung für einen optionalen Lüfter zur verstärkten Wärmeabführung und verbesserten Performance.
- Schutzschaltung bei Störungen mit LED-Anzeigen an der Gerätefront.
- Schaltbare Eingangssignal-Verteilung, Mono-Schalter, gepufferte Link-Ausgänge für eine maximale Flexibilität bei der Systemkonfiguration.

### Einige Vorsichtsmaßnahmen

Lesen Sie sich die Bedienungsanleitung bitte vor der Inbetriebnahme genau durch. Neben grundsätzlichen Installations- und Bedienungshinweisen (bitte beachten Sie auch die Sicherheits- und Warnhinweise am Anfang der Bedienungsanleitung) enthält sie allgemeine Informationen, die Ihnen helfen werden, Ihr System mit seiner maximalen Leistungsfähigkeit zu betreiben. Bitte setzen Sie sich bei etwaigen Fragen mit Ihrem autorisierten Rotel-Fachhändler in Verbindung.

Bewahren Sie den Versandkarton und das übrige Verpackungsmaterial der RMB-1506 für einen eventuellen späteren Einsatz auf. Der Versand oder Transport der Endstufe in einer anderen als der Originalverpackung kann zu erheblichen Beschädigungen des Gerätes führen.

Bewahren Sie bitte die Original-Kaufquittung auf. Sie belegt am besten das Kaufdatum, das für Sie wichtig wird, sobald Sie eine Garantieleistung in Anspruch nehmen.

### Aufstellung des Gerätes

Stellen Sie die RMB-1506 auf eine stabile, ebene Oberfläche. Setzen Sie das Gerät weder direktem Sonnenlicht, extremer Wärme, Feuchtigkeit noch starken Vibrationen aus. Stellen Sie keine anderen Gegenstände (Geräte oder sonstige Dinge) auf die RMB-1506. Es darf keine Flüssigkeit in das Gerät gelangen.

Berücksichtigen Sie beim Aufstellen das Gewicht der Endstufe. Stellen Sie sicher, dass Regal bzw. Schrank stabil genug sind, um die RMB-1506 zu tragen.

Die RMB-1506 erwärmt sich während des normalen Betriebes. Die entstehende Wärme kann unter normalen Bedingungen über die Ventilationsöffnungen abgeführt werden. **Um das Gehäuse muss ein Freiraum von mindestens 10 cm gewährleistet sein.** Stellen Sie sicher, dass bei Unterbringung in einem Schrank eine ausreichende Luftzirkulation sichergestellt ist.

### Optionales Lüfter-Kit

In den meisten Installationen bieten die großzügig ausgeführten Kühlkörper eine ausreichende Wärmeabführung. Jedoch kann es bei der Installation in andere räumlich begrenzte Bereiche in der Nähe wärmeerzeugender Komponenten sinnvoll sein, für zusätzliche Kühlung zu sorgen. Zu diesem Zweck können Sie einfach das optionale Lüfter-Kit RKBF-1 installieren. Einerseits reduziert es die Betriebstemperatur, andererseits erhöht es die Performance der Endstufe (insbesondere, wenn anspruchsvolle Lautsprecher angeschlossen sind). Lassen Sie sich diesbezüglich von Ihrem autorisierten Rotel-Fachhändler beraten.

---

**Hinweis:** Das optionale Lüfter-Kit erzeugt während des Betriebes mechanische Geräusche. Wählen Sie daher bei Nutzung dieses Kits einen Standort für die Endstufe, an dem das Geräusch nicht störend wirkt.

---

## Netzspannung und Bedienung

### Netzeingang

Ihre RMB-1506 wird von Rotel so eingestellt, dass sie der in Ihrem Land üblichen Wechselspannung (Europa: 230 Volt/50 Hz, USA: 120 Volt/60 Hz) entspricht. Diese Einstellung ist an der Geräterückseite angegeben.

Die RMB-1506 wird mit dem passenden Netzkabel geliefert. Verwenden Sie nur dieses oder ein vergleichbares Kabel. Modifizieren Sie das beiliegende Kabel nicht. Verwenden Sie kein Verlängerungskabel.

Stellen Sie sicher, dass die RMB-1506 vor dem Anschließen an das Netz abgeschaltet ist, sich der Netzschalter also in der AUS-Position befindet. Verbinden Sie nun das Netzkabel mit dem Netzeingang am Gerät. Stecken Sie das andere Ende in eine Wandsteckdose.

Sind Sie für längere Zeit nicht zu Hause, sollten Sie Ihre Endstufe aus Sicherheitsgründen vom Netz trennen.

### Netzschalter und Betriebsanzeige

Der Netzschalter befindet sich an der Gerätefront der RMB-1506. Zum Einschalten (oder um einen der optionalen Power on-Modi zu aktivieren) drücken Sie den Netzschalter. Der Ring um den Schalter beginnt zu leuchten und zeigt an, dass die Endstufe eingeschaltet ist. Drücken Sie zum Ausschalten der Endstufe erneut den Netzschalter.

### Auto-Turn on/off-Schalter

Die RMB-1506 verfügt an der Rückseite über einen Schiebeschalter, über den Sie zwischen drei verschiedenen Modi wählen können:

- **Befindet sich der Schalter in der OFF-Position**, wird die Endstufe manuell über den Netzschalter an der Gerätefront ein- und ausgeschaltet. Wählen Sie diese Einstellung auch, wenn die Endstufe an eine schaltbare Netzsteckdose angeschlossen ist.
- **Befindet sich der Schalter in der SIGNAL SENSE-Position**, so schaltet sich die Endstufe automatisch ein, wenn an den Eingängen ein Signal anliegt. Kommt über einen Zeitraum von mehreren Minuten kein Signal an, schaltet die Endstufe in den Standby-Modus. Diese Funktion kann nur genutzt werden, wenn der Netzschalter an der Gerätefront vorher eingeschaltet wurde.
- **Befindet sich der Schalter in der 12V TRIG-Position**, wird die Endstufe automatisch eingeschaltet, wenn am 12V TRIG-Eingang links neben dem Schiebeschalter ein 12-V-Trigger-Signal anliegt. Liegt kein +12-V-Signal an, schaltet die Endstufe in den Standby-Modus. Diese Funktion kann nur genutzt werden, wenn der Netzschalter an der Gerätefront vorher eingeschaltet wurde.

### 12-V-Trigger-Eingang

An die mit IN gekennzeichnete Anschlussbuchse kann zum Ein- und Ausschalten der Endstufe ein Anschlusskabel zur Übertragung eines +12-V-Trigger-Signals von einem Rotel- Vorverstärker bzw. -Surround-Prozessor angeschlossen werden. Dazu ist der daneben liegende Schiebeschalter in die linke Position zu setzen (siehe Abschnitt oben).

Der TRIGGER-EINGANG reagiert auf Gleich- oder Wechselspannungssignale von 3 bis 30 Volt. Verwenden Sie ein Kabel mit 3,5-mm-Klinkensteckern an beiden Enden. Das +12-V-Gleichspannungssignal liegt an der Steckerspitze.

### 12-V-Trigger-Ausgang

Die mit OUT gekennzeichnete 12V TRIG-Buchse wird zur Feineinschaltung eines zweiten Rotel-Verstärkers genutzt. Das 12-V-Ausgangssignal ist verfügbar, sobald ein 12-V-Trigger-Signal an der mit IN gekennzeichneten Buchse anliegt.

### Sicherungsautomat

Ein Sicherungsautomat an der Geräterückseite schützt den elektrischen Schaltkreis der Endstufe. In der Regel löst er nur bei Überstrom aus. Durch den Schalter kann der Stromkreis – nach Beseitigen der Störung – problemlos wieder hergestellt werden. Sollte er wiederholt auslösen, so setzen Sie sich bitte mit Ihrem autorisierten Rotel-Fachhändler in Verbindung.

### PROTECTION-LEDs

Die thermische Schutzschaltung der RMB-1506 schützt die Endstufe vor möglichen Schäden durch extreme oder fehlerhafte Betriebsbedingungen. Sie ist im Gegensatz zu vielen anderen Konstruktionen unabhängig vom Audiosignal und beeinflusst den Klang nicht. Statt dessen überwacht sie die Temperatur an den Leistungstransistoren und schaltet die Endstufe ab, sobald bestimmte Temperaturgrenzen überschritten werden.

Darüber hinaus ist in die RMB-1506 ein Überstromschutz integriert, der nur dann anspricht, wenn die Lastimpedanz zu stark abnimmt.

Sollte es zu einer Störung kommen, schaltet sich die Endstufe ab. Die entsprechende(n) PROTECTION-LED(s) beginnt(beginnen) zu leuchten.

Schalten Sie die Endstufe aus. Lassen Sie sie einige Minuten abkühlen. Versuchen Sie, den Grund für die Störung herauszufinden und zu beheben. Für jedes Kanalpaar gibt es unabhängige PROTECTION-LEDs, die bei der Suche nach der Ursache für das Problem helfen können. Beim erneuten Einschalten der Endstufe setzt sich die Schutzschaltung automatisch zurück, und die LEDs erlöschen.

In den meisten Fällen wird die Schutzschaltung durch eine Fehlfunktion, wie z.B. durch kurzgeschlossene Lautsprecherkabel oder eine unzureichende Belüftung, die schließlich zu einer Überhitzung führt, aktiviert. In sehr seltenen Fällen können Lautsprecher mit einer extrem niedrigen Impedanz die Schutzschaltung aktivieren.

## Signalanschlüsse

Die RMB-1506 verfügt über unsymmetrische Cinch-Eingänge, wie sie an jedem hochwertigen Audiogerät zu finden sind.

Darüber hinaus befinden sich an der Geräterückseite SIGNAL OUTPUT LINK-Anschlüsse, die das an Kanalpaar „A“ anliegende Eingangssignal zu einer anderen Audiokomponente leiten. Ferner kann das an Kanalpaar „A“ anliegende Eingangssignal automatisch zu den Eingängen der Kanäle „B“ und/oder „C“ gesendet werden, so dass für diese Kanäle kein separates Eingangssignalkabel erforderlich ist. Dies kann z. B. in großen Systemen hilfreich sein, in denen an die RMB-1506 mehrere Lautsprecherpaare angeschlossen werden.

### Cinch-Eingänge

Siehe Abbildung 2

Für jedes Verstärkerkanalpaar gibt es zwei Cinch-Eingänge. An diese Cinch-Eingänge können Vorverstärker bzw. Surround-Prozessoren angeschlossen werden. Verwenden Sie hochwertige Verbindungskabel, um eine erstklassige Klangqualität zu gewährleisten.

Verbinden Sie bei jedem Verstärkerkanalpaar den Ausgang des linken Kanals Ihres Vorverstärkers mit dem Anschluss LEFT INPUT an der RMB-1506. Schließen Sie den rechten Kanal Ihres Vorverstärkers an den Anschluss RIGHT INPUT an. Stellen Sie sicher, dass sich der Eingangswahlschalter in der STEREO-Position befindet.

### Mono-Schalter

Befindet sich der MONO-Schalter in der ON-Position, wird der Eingang des linken Kanals „A“ mit dem rechten Kanal verbunden.

### LINK-Funktion

Sie können die Eingänge für Gruppe „A“ mit den Eingängen der Gruppen „B“ und/oder „C“ verbinden, indem Sie den jeweiligen Schalter in die LINK-Position bringen. Für diese Gruppe ist dann kein Eingangsanschluss erforderlich. Das Eingangssignal von Gruppe „A“ wird zu dem verbundenen Paar von Kanälen gesendet, so dass Sie vier oder sechs Verstärkerkanäle mit denselben Stereoeingangssignalen nutzen können.

## Pegelsteller

Über die drei an der Gerätefront befindlichen Steller (einer pro Kanalpaar) können die Pegel eingestellt und auf diese Weise an die anderen Komponenten im System angepasst werden. Über den mit A gekennzeichneten Steller wird der Pegel der Kanäle „A“ verändert, über den mit B gekennzeichneten Steller der Pegel der Kanäle „B“ und über den mit C gekennzeichneten Steller der Pegel der Kanäle „C“.

Drehen Sie die Pegelsteller mit einem kleinen Schlitzschraubendreher im Uhrzeigersinn, um den Pegel zu erhöhen und gegen den Uhrzeigersinn, um den Pegel zu reduzieren.

## Signal Output Link

Über diese beiden Cinch-Ausgänge können die Eingangssignale unverändert zu einer anderen Audiokomponente geleitet werden. So kann z. B. eine zusätzliche Endstufe zum Betrieb eines zweiten Lautsprecherpaares angeschlossen werden. Die an den mit „A“ gekennzeichneten Kanälen anliegenden Eingangssignale stehen auch an diesen LINK-Ausgängen zur Verfügung.

---

**Hinweis:** Diese Eingangssignale von den Kanälen „A“ können auch an die Eingänge „B“ und/oder „C“ weitergeleitet werden, indem der jeweilige Schalter in die LINK-Position gebracht wird.

---

## Lautsprecher

Die RMB-1506 verfügt über drei Gruppen von Lautsprecheranschlussklemmen (eine Gruppe für jedes Verstärkerkanalpaar).

### Auswahl der Lautsprecher

Die nominale Impedanz des(der) an die RMB-1506 angeschlossenen Lautsprechers (Lautsprecher) sollte mindestens 4 Ohm betragen. Lassen Sie beim Betrieb mehrerer parallel geschalteter Lautsprecherpaare einige Vorsicht walten, da sich die effektive, vom Verstärker wahrgenommene Impedanz verringert. Beim Betrieb von zwei Paar 8-Ohm-Lautsprechern beispielsweise beträgt die Last für den Verstärker 4 Ohm. Werden mehrere parallel geschaltete Lautsprecher angeschlossen, empfehlen wir, Lautsprecher mit einer nominalen Impedanz von mindestens 8 Ohm einzusetzen.

### Auswahl der Lautsprecherkabel

Verbinden Sie die RMB-1506 und die Lautsprecher über ein isoliertes, zweiadriges Kabel. Aufbau und Qualität des Kabels können hörbare Effekte auf die Musikkwiedergabe haben. Standard-„Klingeldraht“ wird funktionieren, jedoch können vor allem bei größeren Kabellängen Leistungsverluste und eine ungleichmäßige Wiedergabe des Frequenzspektrums das Ergebnis sein. Allgemein gilt, dass Kabel mit größerem Querschnitt eine verbesserte Wiedergabequalität gewährleisten. Für höchste Wiedergabequalität sollten Sie die Benutzung von speziellen, hochwertigen Lautsprecherkabeln erwägen. Ihr autorisierter Rotel-Fachmann wird Ihnen bei der Auswahl dieser Lautsprecherkabel gerne weiterhelfen.

## Polarität und Phasenabgleich

Die Polarität – die positive/negative Ausrichtung der Anschlüsse – muss für jede Lautsprecher-/Verstärkerverbindung phasengleich sein. Wird die Polarität einer Verbindung irrtümlicherweise umgekehrt, führt dies zu einem unausgewogenen Klangbild mit schwachen Bässen.

Die Kabel sind zur Identifizierung gekennzeichnet. So kann die Isolationsschicht eines Leiters gerippt oder ein Leiter mit einem Streifen markiert sein. Das Kabel kann verschiedenfarbige Leiter (Kupfer und Silber) besitzen und von einer transparenten Isolationsschicht umgeben sein. Bei anderen Kabeln wird die Polaritätsangabe auf die Isolationsschicht gedruckt. Unterscheiden Sie zwischen positiven und negativen Leitern. Achten Sie beim Anschluss an Lautsprecher und Verstärker auf die gleiche Polung.

## Anschließen der Lautsprecher

Siehe Abbildung 2

Die RMB-1506 verfügt an der Rückseite für jede Gruppe von Verstärkerkanälen über zwei Paar farbig gekennzeichnete Anschlussklemmen, eins für den linken Lautsprecher und eins für den rechten. Der Kennzeichnung oberhalb der Schraubklemmen können Sie entnehmen, wie die Lautsprecher anzuschließen sind. An diese Anschlussklemmen können blanke Drähte oder Kabelschuhe angeschlossen werden.

Führen Sie das Kabel von der RMB-1506 zu den Lautsprechern. Lassen Sie genügend Raum, damit Sie die Komponenten bewegen können und so einen freien Zugang zu den Lautsprechern sicherstellen.

Bei der Verwendung von Kabelschuhen verbinden Sie diese mit den Kabeln, stecken die Kabelschuhe hinten unter die Anschlussklemmen und drehen die Schraubklemmen im Uhrzeigersinn fest.

Sollten die Lautsprecherkabel direkt (ohne Kabelschuhe) an die Lautsprecherklemmen angeschlossen werden, so entfernen Sie an den Kabelenden ca. 15 mm der Isolation. Lösen Sie die Polklemmen durch Drehen gegen den Uhrzeigersinn. Verdrillen Sie die blanken Kabelenden, um ein Zerfasern zu vermeiden, und stecken Sie das verdrillte Kabel hinter die Polklemmen. Anschließend drehen Sie die Polklemmen im Uhrzeigersinn fest.

---

**Hinweis:** Achten Sie bitte darauf, dass die blanken Kabelenden vollständig an den Polklemmen untergebracht sind und somit das Berühren benachbarter Drähte oder Anschlüsse ausgeschlossen ist.

---

Bei jeder Gruppe von Kanälen verbinden Sie den linken Lautsprecher mit den mit LEFT gekennzeichneten Schraubklemmen. Schließen Sie den rechten Lautsprecher an die mit RIGHT gekennzeichneten Schraubklemmen an. Gehen Sie dabei wie oberhalb der Schraubklemmen gekennzeichnet vor. Stellen Sie sicher, dass der positive Anschluss am Lautsprecher mit der mit + gekennzeichneten Schraubklemme verbunden wird. Stellen Sie sicher, dass der negative Anschluss am Lautsprecher an die mit - gekennzeichnete Schraubklemme angeschlossen wird.



## Störungssuche und -beseitigung

Die meisten Probleme sind in Audiosystemen auf fehlerhafte oder verkehrte Anschlüsse zurückzuführen. Tritt ein Problem auf, isolieren Sie den problematischen Bereich, prüfen die Einstellungen der Bedienelemente, legen die Ursache für die Störung fest und nehmen die erforderlichen Änderungen vor. Ist kein Ton zu hören, so gehen Sie folgendermaßen vor:

### Die Betriebsanzeige an der Gerätefront leuchtet nicht

Die RMB-1506 bekommt keinen Netzstrom. Prüfen Sie die Netzanschlüsse an der Endstufe und der Wandsteckdose. Stellen Sie sicher, dass der Netzschalter an der Gerätefront gedrückt wurde. Ist die Eingangssignal-Erkennung aktiviert, prüfen Sie, ob an den Eingängen ein Signal anliegt. Nutzen Sie die 12-V-Trigger-Funktion, so stellen Sie sicher, dass am 12V-TRIG IN-Anschluss an der Rückseite ein Trigger-Signal anliegt.

### Kein Ton

Bekommt die Endstufe Strom und ist trotzdem kein Ton zu hören, prüfen Sie, ob die PRO-TECTION-LEDs an der Gerätefront leuchten. Wenn ja, lesen Sie den Abschnitt unten. Leuchten sie nicht, prüfen Sie alle Verbindungen und die Einstellungen der angeschlossenen Komponenten.

### Die PROTECTION-LEDs leuchten

Die PROTECTION-LEDs an der Gerätefront leuchten, wenn die Schutzschaltkreise der RMB-1506 reagieren. Dies kommt in der Regel nur vor, wenn beispielsweise die Ventilationsöffnungen verdeckt sind, die Verkabelung zu den Lautsprechern nicht ordnungsgemäß ist usw. Schalten Sie das System aus und warten Sie, bis es sich abgekühlt hat. Anschließend drücken Sie den Netzschalter an der Gerätefront ein und aus, um die Schutzschaltungen zurückzusetzen. Kann die Störung dadurch nicht beseitigt werden oder tritt sie erneut auf, liegt das Problem im System oder in der Endstufe selber.

## Technische Daten

**Dauerabgangsleistung an 8 Ohm** (20 Hz – 20 kHz, Klirrfaktor 0,03 %)

6 x 50 Watt/Kanal an 8 Ohm, alle Kanäle genutzt

**Dauerabgangsleistung an 4 Ohm** (DIN 1 kHz, Klirrfaktor 1,0 %)

6 x 80 Watt/Kanal an 4 Ohm, alle Kanäle genutzt

**Gesamtklirrfaktor** (20 Hz – 20 kHz, 8 Ohm)

bei Nennleistung: < 0,03 %

bei halber Nennleistung: < 0,03 %

bei 1 Watt: < 0,03 %

**Intermodulationsverzerrung** (60 Hz: 7 kHz, 4:1)

< 0,03 %

**Dämpfungsfaktor** (20 Hz – 20 kHz, 8 Ohm)

>200

**Eingangsimpedanz**

20 kOhm

**Eingangsempfindlichkeit**

1,0 V

**Verstärkung**

26 dB

**Überlastspannung** (Eingang)

5,0 V

**Spitzenstrom**

>25 A

**Frequenzgang** ( $\pm 1$  dB)

10 Hz – 100 kHz

**Geräuschspannungsabstand** (IHF A)

115 dB

**Übersprechen/Trennung**

>70 dB

**Lautsprecherimpedanz**

Minimum 4 Ohm

**Einschaltautomatik** (Pegel an allen Eingängen)

Eingangssignal 1 mV

**Spannungsversorgung**

USA: 120 V, 60 Hz

Europa: 230 V, 50 Hz

**Leistungsaufnahme**

450 Watt

42 Watt (im Leerlauf)

2,6 Watt (Standby)

**Abmessungen** (B x H x T)

431 x 144 x 424 mm

**Nettogewicht**

15,3 kg

**Panelhöhe**

3 U, 132,6 mm

Diese Bedienungsanleitung entspricht dem technischen Stand bei Drucklegung. Änderungen in Technik und Ausstattung vorbehalten.

## Información Importante Relacionada con la Seguridad

**ADVERTENCIA:** No hay componentes manipulables por el usuario en el interior del aparato. Cualquier operación de mantenimiento debe ser llevada a cabo por personal cualificado.

**ADVERTENCIA:** Para reducir el riesgo de que se produzca un incendio o una descarga eléctrica, asegúrese de que el aparato no esté expuesto a goteos ni salpicaduras y que no se coloquen objetos que contengan líquidos —copas, vasos— encima del mismo. No permita que ningún objeto extraño penetre en el interior del aparato. Si el aparato está expuesto a la humedad o algún objeto extraño penetra en su interior, desconecte inmediatamente el cable de alimentación de la red eléctrica. En caso de que fuera necesario, envíe el aparato a un especialista cualificado para su inspección y posterior reparación.

Lea todas las instrucciones del presente manual antes de conectar o hacer funcionar el aparato.

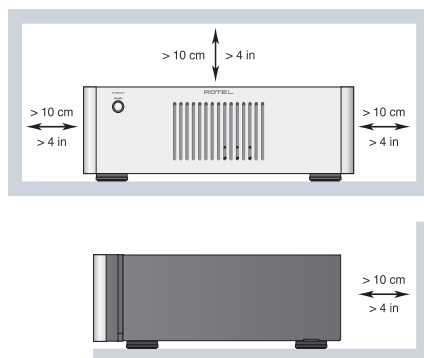
Conserve este manual cerca de usted para el caso de que necesite revisar las instrucciones de seguridad que se indican a continuación.

Tenga siempre en mente las advertencias y la información relativa a seguridad que figuran tanto en estas instrucciones como en el propio aparato. Siga al pie de letra todas las instrucciones relacionadas con el funcionamiento del mismo.

Limpie el exterior del aparato únicamente con una gamuza seca o un aspirador.

No utilice este aparato cerca de agua.

**Debe dejar un mínimo de 10 centímetros de espacio libre alrededor del aparato.** No coloque nunca el aparato en una cama, un sofá, una alfombra o una superficie similar susceptible de bloquear las ranuras de ventilación. Si el aparato está ubicado en la estantería de una librería o un mueble, debe haber suficiente espacio a su alrededor y ventilación en el mueble para permitir una refrigeración adecuada.



Mantenga al aparato alejado de radiadores, estufas, cocinas o de cualquier otra instalación que produzca calor.

**ADVERTENCIA:** El conector del cable de alimentación del panel posterior hace las veces de dispositivo de desconexión de la red eléctrica. El aparato debe ubicarse en un área que permita acceder a dicho conector.

El aparato debe ser conectado únicamente a una fuente de alimentación del tipo y la tensión especificados en su panel posterior (120 V/60 Hz para EE.UU. y 230/50 Hz para los países de la Comunidad Europea).

Conecte el aparato a una toma de corriente eléctrica únicamente a través del cable de alimentación suministrado de serie o un equivalente exacto del mismo. No modifique de ningún modo dicho cable. Una clavija polarizada tiene dos patillas, una más ancha que la otra. Una clavija polarizada tiene dos patillas más una tercera para conexión a tierra. Tal configuración permite aumentar la seguridad durante el funcionamiento del aparato. No intente desactivar los terminales destinados a la conexión a tierra o polarización. Si la clavija suministrada con el aparato no se adapta a su toma de corriente, le rogamos que contacte con un técnico autorizado para que proceda a la sustitución de esta última. No utilice ningún tipo de cable de extensión.

La clavija principal del cable de alimentación hace las veces de elemento de desconexión del aparato. Con el fin de desactivar por completo el aparato de la red eléctrica, la mencionada clavija debería desconectarse de la toma de corriente eléctrica alterna. En este caso, el indicador luminoso de la posición de espera no se activará para indicar que el cable de alimentación está desconectado.

No haga pasar el cable de alimentación por lugares en que pueda ser aplastado, pinchado, doblado en ángulos críticos, expuesto al calor o dañado de algún modo. Preste particular atención al punto de unión entre el cable y la toma de corriente y también a la ubicación de esta última en el panel posterior del aparato.

El cable de alimentación debería desconectarse de la red eléctrica durante las tormentas o cuando el aparato no vaya a ser utilizado durante un largo período de tiempo (por ejemplo las vacaciones de verano).

Utilice únicamente accesorios especificados por el fabricante.

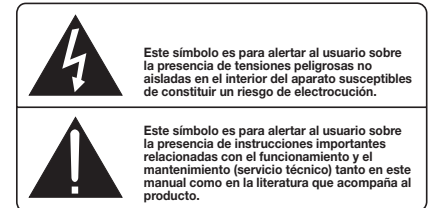
Utilice únicamente muebles, soportes o estantes recomendados por Rotel. Sea cuidadoso cuando mueva el aparato ubicado en un mueble o soporte para evitar posibles daños provocados por el volcado del mismo.



Cuando conecte los terminales de conexión a cajas del aparato, le rogamos que utilice cableado de Clase 2 para garantizar el correcto aislamiento del mismo y minimizar el riesgo de que se produzca una descarga eléctrica.

Desconecte inmediatamente el aparato y envíelo a un servicio técnico cualificado para su inspección/reparación si:

- El cable de alimentación o alguna clavija del mismo ha sido dañado
- Han caído objetos o se ha derramado líquido en el interior del aparato.
- El aparato ha sido expuesto a la lluvia.
- El aparato muestra signos de funcionamiento inadecuado.
- El aparato ha sido golpeado o dañado de algún modo.



Los productos Rotel han sido diseñados para satisfacer la normativa internacional relativa a la Restricción del Uso de Sustancias Peligrosas (RoHS) en equipos eléctricos y electrónicos y la eliminación de Desperdicios Referentes a Equipos Eléctricos y Electrónicos (WEEE). El símbolo con el cubo de la basura indica el pleno cumplimiento de estas directrices y que los productos correspondientes deben ser reciclados o procesados adecuadamente en concordancia con las mismas.



Este símbolo significa que el aparato está doblemente aislado, por lo que no requiere ninguna conexión a tierra.





## Contenido

Figure 1: Controles y Conexiones	3
Figure 2: Diagrama de Conexiones	4
Notas Importantes	5
<b>Información Importante Relacionada con la Seguridad</b>	<b>23</b>
<b>Acerca de Rotel</b>	<b>24</b>
<b>Unas Palabras Sobre los Vatios</b>	<b>24</b>
<b>Para Empezar</b>	<b>24</b>
Funciones y Prestaciones Relevantes	24
Algunas Precauciones	25
Colocación	25
Kit de Ventilación Opcional <b>[4]</b>	25
<b>Alimentación y Control</b>	<b>25</b>
Toma de Corriente Eléctrica Alterna <b>[11]</b>	25
Conmutador e Indicador Luminoso de Puesta en Marcha <b>[1]</b>	25
Selector del Modo de Arranque/Desconexión Automática <b>[8]</b>	25
Entrada para Señal de Disparo de 12V <b>[7]</b>	26
Salida para Señal de Disparo de 12V <b>[7]</b>	26
Interruptor <b>[10]</b>	26
Indicadores Luminosos de Protección <b>[2]</b>	26
<b>Conexiones de Señal</b>	<b>26</b>
Entradas RCA <b>[5]</b>	26
Conmutador de Funcionamiento en Mono <b>[5]</b>	26
Enlace de las Entradas <b>[5]</b>	27
Controles de Nivel del Panel Frontal <b>[3]</b>	27
Conectores de Salida para Enlace ("Signal Output Link") <b>[6]</b>	27
<b>Cajas Acústicas</b>	<b>27</b>
Selección de las Cajas Acústicas	27
Selección del Cable de Conexión a las Cajas Acústicas	27
Polaridad y Puesta en Fase	27
Conexión de las Cajas Acústicas <b>[9]</b>	27
<b>Problemas y Posibles Soluciones</b>	<b>28</b>
El Indicador Luminoso del Panel Frontal No Se Activa	28
No Hay Sonido	28
Los Indicadores Luminosos de Protección Están Activados	28
<b>Características Técnicas</b>	<b>28</b>

## Acerca de Rotel

Nuestra historia empezó hace casi 50 años. A lo largo de todas estas décadas, hemos recibido cientos de premios por nuestros productos y satisfecho centenares de miles de clientes que se toman muy en serio, al igual que usted, sus momentos de ocio.

Rotel fue fundada por una familia cuyo entusiasta interés por la música le condujo a diseñar y construir componentes de Alta Fidelidad sin ningún tipo de compromiso. Esta pasión ha permanecido inalterada durante todo este tiempo, hasta el punto de que el objetivo de los fundadores de la compañía -proporcionar productos de la máxima calidad a melómanos y audiófilos independientemente de cuales sean sus posibilidades económicas- es compartido por todos sus empleados.

Los ingenieros de Rotel trabajan como un equipo compacto, escuchando y llevando a cabo el ajuste fino de cada nuevo producto hasta que satisface de manera exacta los estándares de calidad musical para los que fue diseñado. Para lograrlo, disponen de la máxima libertad para escoger los mejores componentes allí donde se encuentren. Le sorprenderá agradablemente encontrar exquisitos condensadores procedentes del Reino Unido y Alemania o semiconductores de Japón o Estados Unidos, mientras que los transformadores toroidales de potencia son construidos en la propia factoría de Rotel.

Tonos nosotros nos preocupamos por nuestro entorno. Y a medida que se producen y posteriormente desechan más y más aparatos electrónicos, para un fabricante resulta especialmente importante hacer todo lo que le sea posible para poner a punto que tengan un impacto mínimo en los vertederos de basura y las capas freáticas.

En Rotel estamos orgullosos de contribuir con nuestra parte. Hemos reducido el contenido en plomo de nuestros componentes electrónicos utilizando una soldadura RoHS especial, mientras que nuestros nuevos amplificadores en Clase D (que no digitales) son hasta cinco veces más eficientes que nuestros diseños tradicionales a la vez que siguen ofreciendo una excelente dosis de potencia y prestaciones. La temperatura de funcionamiento de estos productos es baja y la energía que desperdician es mínima, a la vez que son amables con el medio ambiente proporcionan un sonido superior.

Finalmente, queremos que sepa que hemos impreso este catálogo en papel reciclado.

Aunque entendemos que estas últimas consideraciones son sólo unos primeros pasos, también tenemos muy claro que ello no quita que sean importantes. Y continuaremos buscando nuevos materiales y métodos de fabricación para conseguir que nuestros procesos de fabricación sean lo más limpios y ecológicos posible.

Le agradecemos que haya adquirido este producto. Estamos seguros de que le proporcionará largos años de disfrute en la escucha de sus grabaciones musicales favoritas.

## Para Empezar

Gracias por comprar la Etapa de Potencia de Seis Canales Rotel RMB-1506. Utilizado en un sistema de reproducción musical o audiovisual de alta calidad, este amplificador le permitirá disfrutar durante muchos años de sus composiciones musicales y bandas sonoras favoritas.

La RMB-1506 es una etapa de potencia de seis canales altamente sofisticada. El uso de dispositivos de salida discretos, una generosa fuente de alimentación equipada con un transformador toroidal, componentes electrónicos de primera calidad y el exclusivo Diseño Equilibrado de Rotel aseguran una soberbia calidad sonora. Una elevada capacidad de entrega de corriente hace posible que la RMB-1506 pueda atacar con extrema facilidad las cajas acústicas más difíciles del mercado en las más variadas condiciones de trabajo.

### Funciones y Prestaciones Relevantes

- Etapa de potencia de seis canales con una salida de 50 vatios continuos por canal sobre 8 ohmios.
- Controles en el panel frontal para ajustar el nivel de entrada.
- Configuración de arranque/desactivación seleccionable por el usuario: manual, por detección automática de señal o controlada por una señal de disparo remota de 12 V continuos.
- Posibilidad de instalación de un ventilador adicional para mejorar la disipación térmica y las prestaciones.
- Circuitería de protección contra errores de funcionamiento con indicadores luminosos en el panel frontal.
- Enlace interno de señales de entrada, conmutador de funcionamiento en mono y conectores de salida para enlace con el fin de maximizar la flexibilidad de configuración.

## Algunas Precauciones

Le rogamos que lea cuidadosamente el presente manual de instrucciones. Además de las instrucciones básicas de instalación y puesta a punto de la RMB-1506, incluye información de gran valor sobre las diferentes configuraciones que permite el aparato, así como reseñas generales que le ayudarán a optimizar las prestaciones de su sistema. Le rogamos asimismo que para cualquier duda o consulta contacte con su distribuidor autorizado de productos Rotel. No le quepa la menor duda de que todos sus comentarios y observaciones serán bien recibidos.

Guarde el embalaje de la RMB-1506 y todo el material en él contenido para un posible uso futuro del mismo. El embalaje o transporte de la RMB-1506 en condiciones diferentes de las originales puede dañar seriamente el aparato.

Guarde en su poder la factura de compra original puesto que es la mejor manera de que usted se acuerde de la fecha de compra de la RMB-1506, un dato esencial en caso de que necesitara algún tipo de asistencia técnica durante el período de garantía.

## Colocación

Coloque la RMB-1506 encima de una superficie sólida y equilibrada lejos de la luz solar, el calor, la humedad o las vibraciones.

No amontone otros componentes de A/V u objetos encima de la RMB-1506. No deje que penetre ningún líquido en el interior del aparato.

Asimismo, tenga en cuenta el peso del amplificador cuando seleccione una ubicación determinada para su instalación. Por lo tanto, asegúrese de que la estantería o mueble utilizado pueda soportar el peso y el volumen de la RMB-1506.

La RMB-1506 genera calor durante su funcionamiento normal. No bloquee nunca las ranuras de ventilación. **Debería dejar un espacio libre de al menos 10 centímetros alrededor del aparato.** En caso de que la RMB-1506 esté instalada en el interior de un mueble, asegúrese de que tenga la ventilación adecuada.

## Kit de Ventilación Opcional

Los generosos disipadores térmicos de la RMB-1506 proporcionan una refrigeración adecuada del aparato para la mayoría de instalaciones. No obstante, cuando el amplificador se instala en un rack o en cualquier otro tipo de espacio cerrado cerca de otros componentes que generen calor el uso de refrigeración adicional puede resultar aconsejable. En estas circunstancias, es posible instalar fácilmente el kit de ventilación opcional RKBF-1 para disponer de ventilación forzada extra. Además de reducir las temperaturas de funcionamiento, el citado ventilador opcional mejora las prestaciones del amplificador, en especial cuando este último tenga que atacar cajas acústicas difíciles. Para más información sobre el kit de ventilación opcional, consulte con su distribuidor autorizado de productos Rotel.

---

**Nota:** El kit de refrigeración opcional genera un cierto ruido mecánico durante su funcionamiento. En consecuencia, cuando decida instalarlo le recomendamos que seleccione para el amplificador una ubicación lo más discreta posible.

---

## Alimentación y Control

### Toma de Corriente Eléctrica Alterna

Su RMB-1506 está configurada en fábrica para que trabaje con la tensión de red correspondiente al país en que haya sido adquirida (230 V/50 Hz para Europa y 120 V/60 Hz para EE.UU.). Dicha configuración está indicada en un lugar visible del panel posterior del aparato.

La RMB-1506 se suministra de serie con el correspondiente cable de alimentación. Utilice únicamente dicho cable o un equivalente exacto del mismo. No modifique el cable de alimentación suministrado de serie. No utilice ningún tipo de cable de extensión.

Asegúrese de que el Conmutador de Puesta en Marcha del panel frontal de la RMB-1506 esté desconectado (es decir hacia fuera). A continuación, conecte uno de los extremos del cable de alimentación suministrado de serie en el receptáculo correspondiente del panel posterior del amplificador y el otro a una toma de corriente alterna apropiada.

Si va a estar fuera de su casa durante un largo período de tiempo -por ejemplo las vacaciones de verano-le recomendamos, como precaución básica, que desconecte su amplificador de la red eléctrica.

### Conmutador e Indicador Luminoso de Puesta en Marcha

El Conmutador de Puesta en Marcha está ubicado en el panel frontal. Púselo para poner en marcha el amplificador (o para activar uno cualquiera de los modos de arranque automático opcionales). El anillo situado alrededor de dicho conmutador se activará, indicando que el amplificador está plenamente operativo. Para desactivar el aparato, basta con que pulse de nuevo el mencionado botón a fin de que éste regrese a su posición inicial (hacia fuera).

### Selector del Modo de Arranque/Desconexión Automática

La RMB-1506 incorpora tres opciones diferentes para su puesta en marcha/desconexión manual o automática. Estos modos pueden seleccionarse con ayuda de un pequeño interruptor deslizante de tres posiciones situado en el panel posterior del aparato.

- **Cuando el conmutador está en la posición "OFF",** el amplificador se activa o desactiva manualmente con el interruptor de puesta en marcha del panel frontal. Opte también por esta modalidad de funcionamiento si va a utilizar una toma de corriente eléctrica conmutada para alimentar la RMB-1506.
- **Cuando el conmutador está situado en la posición "SIGNAL SENSE" (DETECCION DE SEÑAL),** el amplificador se activa automáticamente cuando se detecta la presencia de señal en una cualquiera de sus entradas. Si durante unos minutos no se aplica ninguna señal de audio a las entradas de la RMB-1506, el aparato volverá a la posición de espera. El conmutador de puesta en marcha del panel frontal ignora esta función. Dicho conmutador deberá estar en la posición ON para que el sensor de señal actúe. Si sitúa el conmutador en cuestión OFF, se interrumpirá el suministro de energía al amplificador independientemente de que haya o no una señal en sus entradas.

- **Con el conmutador situado en la posición 12V TRIG**, el amplificador se pondrá en marcha automáticamente en cuanto detecte una señal de disparo de 12 voltios continuos en la toma 12V TRIG situada justo a la izquierda del mencionado conmutador. Si no se detecta ninguna señal de +12 voltios continuos, el amplificador se situará en la posición de espera. El CONMUTADOR DE PUESTA EN MARCHA del panel frontal ignora esta función, debiendo estar situado en ON para que el circuito de disparo de +12 voltios funcione correctamente. Si el conmutador en cuestión se sitúa en OFF, se interrumpirá el suministro de energía al amplificador independientemente de que esté presente o no una señal de disparo.

### Entrada para Señal de Disparo de 12V

Se trata de una toma de entrada diseñada para conectar cables que transporten una señal de disparo de +12 voltios continuos procedente de un preamplificador o procesador de sonido envolvente Rotel capaz de activar o desactivar su etapa de potencia. Para utilizar esta función, el conmutador deslizante adyacente deber ser colocado en la posición izquierda (ver sección anterior).

La TRIGGER INPUT acepta cualquier señal de control (continua o alterna) cuyo valor esté comprendido entre 3 y 30 voltios. Utilice un cable terminado en miniclavijas monofónicas de 3'5 mm en sus dos extremos. La señal de +12 voltios continuos aparecerá en la "punta" del conector.

### Salida para Señal de Disparo de 12V

La toma para señal de disparo de 12 voltios continuos (12V TRIG) designada por OUT se utiliza para enviar la señal de activación a distancia a un segundo amplificador Rotel. A través de la toma OUT se enviará cualquier señal de disparo de 12 voltios continuos presente en la toma INPUT.

### Interruptor

Un interruptor situado en el panel posterior protege la circuitería eléctrica del amplificador. Por regla general, dicho interruptor sólo se abrirá cuando se produzca una condición de fallo derivada de una demanda de corriente excesiva. Para reinicializar el interruptor, pulse el botón correspondiente. En caso de que el interruptor se abra repetidamente, contacte con su distribuidor autorizado de productos Rotel para que le proporcione la asistencia adecuada.

### Indicadores Luminosos de Protección

La RMB-1506 incorpora un circuito de protección térmica que la protege frente a cualquier daño potencial que pudiera producirse en caso de un funcionamiento en condiciones extremas o de que hubiese fallos en el aparato. Al contrario de lo que sucede en muchos diseños de su clase, la circuitería de protección de la RMB-1506 es independiente de la señal de audio y por tanto no tiene el más mínimo impacto en las prestaciones musicales. De este modo, el circuito de protección monitoriza la temperatura de los dispositivos de salida y desconecta el amplificador si la temperatura de funcionamiento excede los límites de seguridad prefijados.

Además, la RMB-1506 incluye una protección frente a los excesos de corriente que funciona únicamente cuando el valor de la impedancia de carga (es decir de las cajas acústicas) es excesivamente bajo.

En el caso de que se produjera un funcionamiento defectuoso de su RMB-1506, el aparato dejaría de funcionar y se activaría uno o más de los INDICADORES LUMINOSOS DE PROTECCION de su panel frontal para confirmarlo. Si esto sucede, desconecte completamente el amplificador, déjelo enfriar durante varios minutos e intente identificar y corregir el problema. Hay INDICADORES LUMINOSOS DE PROTECCIÓN independientes para cada par de canales que le ayudarán a la hora de localizar la causa del problema. Cuando vuelva a poner de nuevo en marcha el aparato, el circuito de protección se reinicializará automáticamente y los INDICADORES LUMINOSOS DE PROTECCION deberían apagarse.

En la mayoría de casos, la circuitería de protección se activa como consecuencia de una condición de funcionamiento incorrecto, como por ejemplo la unión (cruce) de los cables de conexión de las cajas acústicas o una ventilación inadecuada que provoque el sobrecalentamiento del aparato. En algunos casos muy concretos (y raros), una impedancia de las cajas extremadamente baja o altamente reactiva podría provocar la activación de los circuitos de protección.

## Conexiones de Señal

La RMB-1506 incorpora conectores de entrada RCA convencionales (no balanceados) idénticos a los que pueden encontrarse en la práctica totalidad de componentes de audio.

Además, hay una pareja de tomas SIGNAL OUTPUT LINK ("SALIDAS PARA ENLACE") cuyo cometido es enviar la señal de entrada presente en el par de terminales "A" a otro componente de audio. Adicionalmente, la señal de entrada presente en el citado par de canales "A" puede ser automáticamente enlazada a las entradas correspondientes a los pares de canales "B" y "C"; esto quiere decir que no se necesitará un cable de señal separado para dichos canales (por ejemplo en sistemas de gran envergadura en los que la RMB-1506 se utilice para excitar varias parejas de cajas acústicas).

### Entradas RCA

Ver Figura 2

Hay dos entradas RCA para cada uno de los tres pares de canales de amplificación. Estas entradas equipadas con conectores RCA aceptan señales de audio procedentes de preamplificadores o procesadores de sonido envolvente. Para lograr los mejores resultados posibles, utilice cables de interconexión de audio de alta calidad.

Para cada par de canales de amplificación, conecte la salida correspondiente al canal izquierdo de su preamplificador a la ENTRADA IZQUIERDA ("LEFT INPUT") de la RMB-1506. Repita el mismo proceso para el canal derecho. Asegúrese de que el conmutador INPUT SELECT esté situado en la posición STEREO.

### Conmutador de Funcionamiento en Mono

Cuando el conmutador MONO está en la posición ON, la entrada "A" correspondiente al canal izquierdo se conecta al canal derecho.

## Enlace de las Entradas

Si lo desea, usted puede enlazar las entradas correspondientes a los grupos de canales "B" y/o "C" a las entradas "A" colocando el conmutador INPUT SELECT correspondiente al grupo seleccionado en la posición LINK ("ENLACE"). Una vez enlazado, dicho grupo de entradas no necesitará que se le conecte ninguna señal. La señal de entrada correspondiente al grupo "A" es enviada al par de canales enlazados, permitiéndole destinar cuatro o seis canales de amplificación a la misma señal estereofónica.

## Controles de Nivel del Panel Frontal

Tres controles – uno para cada par de canales - situados en el panel frontal hacen que sea posible controlar el nivel de la señal entrante. Dichos controles permiten al usuario ajustar la ganancia del amplificador para igualar el nivel de volumen de otros componentes del equipo. El control de nivel A cambia la ganancia del par de canales "A" mientras que el control de nivel B hace lo propio con el par de canales "B" y el C con el par de canales "C".

Para ajustar estos controles, utilice un pequeño destornillador de cabeza plana. Gire el control en sentido horario para aumentar la ganancia y en sentido antihorario para reducirla.

## Conectores de Salida para Enlace ("Signal Output Link")

Estos dos conectores RCA pueden utilizarse para enviar señales de entrada sin procesar a otro componente de audio, lo que resulta útil para, por ejemplo, "encadenar" un amplificador adicional para excitar una segunda pareja de cajas acústicas. En estas salidas LINK también estarán presentes las señales de entrada correspondientes al par de canales "A".

---

**Nota:** Las señales de entrada correspondientes al par de canales "A" también pueden ser enlazadas a las entradas "B" y/o "C" situando el conmutador INPUT SELECT asociados a estos dos últimos pares de canales en la posición LINK.

---

## Cajas Acústicas

La RMB-1506 incorpora tres grupos –uno para cada par de canales- de terminales de conexión a cajas acústicas.

### Selección de las Cajas Acústicas

La impedancia nominal de cada una de las cajas acústicas conectadas a la RMB-1506 debería ser de al menos 4 ohmios. Cuando ataque dos parejas de cajas acústicas conectadas en paralelo, tenga en cuenta que la impedancia efectiva que el amplificador "ve" se divide entre dos. Por ejemplo, cuando ataque dos parejas de cajas acústicas de 8 ohmios el amplificador verá una carga de 4 ohmios... y así sucesivamente. Por lo tanto, cuando vaya a atacar varias cajas acústicas conectadas en paralelo seleccione modelos cuya impedancia nominal sea de 8 o más ohmios.

### Selección del Cable de Conexión a las Cajas Acústicas

Utilice un cable de dos conductores perfectamente aislado para conectar la RMB-1506 a las cajas acústicas. El tamaño y la calidad de dicho cable pueden tener un efecto audible sobre las prestaciones de la totalidad de su equipo. Un cable de conexión de calidad estándar funcionará pero es posible que provoque una disminución de la potencia de salida o una atenuación de la respuesta en graves,

en particular si la longitud del mismo es elevada. En general, un cable más consistente mejorará la calidad del sonido. Para conseguir unas prestaciones óptimas, debería considerar la compra de cables de alta calidad especialmente diseñados para aplicaciones de audio. Su distribuidor autorizado de productos Rotel debería estar en condiciones de ayudarle a seleccionar los cables más apropiados para su equipo.

## Polaridad y Puesta en Fase

La polaridad, es decir la orientación positiva/negativa de las conexiones correspondientes a cada caja acústica y a la unión con el amplificador, debe ser coherente, de modo que todas las cajas acústicas del sistema estén en fase. Si la polaridad de una conexión se invierte por error, se producirá una fuerte caída de la respuesta en graves, así como una degradación perceptible de la imagen estereofónica global. Todos los cables de conexión a cajas están marcados de tal modo que usted pueda identificar fácilmente los dos conductores. Puede haber marcas o líneas impresas en el revestimiento aislante de uno de los conductores. El cable también puede presentar un claro aislamiento al incorporar conductores de distintos colores (cobre y plata). También puede haber indicaciones de polaridad impresas en el revestimiento aislante. Identifique los conductores positivos y negativos y sea coherente con cada una de las conexiones del amplificador y las cajas acústicas.

## Conexión de las Cajas Acústicas

Ver Figura 2 7

La RMB-1506 incorpora dos pares de terminales de conexión codificados en color para cada grupo de canales de amplificación. Las etiquetas situadas encima de los conectores muestran cómo deben efectuarse las conexiones. Estos terminales de conexión a cajas aceptan cable pelado, conectores de tipo horquilla o conectores de tipo banana doble (excepto en los países de la Comunidad Europea, donde su uso no está permitido).

Lleve los cables desde la RMB-1506 hasta las cajas acústicas de su equipo. Procure que tengan la longitud suficiente para que se pueda acceder sin problemas a los terminales de conexión de aquéllas.

Si tiene pensado utilizar conectores de tipo banana, únalos primero a los cables y a continuación insértelos en la zona posterior de los terminales de conexión a cajas. En cualquier caso, las tuercas de fijación de los terminales de conexión deberían girarse por completo en sentido horario.

Si piensa utilizar terminales de tipo horquilla, conéctelos en primer lugar a los cables. Si piensa colocar directamente cable pelado a los terminales de conexión, separe los cables correspondientes a cada conductor y quite la parte superior del revestimiento aislante. Asegúrese de no cortar ninguno de los conductores propiamente dichos. Libere (girándolas en sentido contrario de las agujas del reloj) las tuercas de fijación y a continuación coloque los conectores alrededor de los terminales de conexión o el cable pelado en el orificio transversal que hay en los mismos. Gire en sentido horario las tuercas de fijación para sujetar firmemente en su lugar el conector o el cable de conexión.

---

**Nota:** Asegúrese de que no haya cables sueltos que puedan tocar los cables o conductores adyacentes.

---

Para cada grupo de canales, conecte la caja acústica izquierda a la pareja de conectores a cajas designados por LEFT. Conecte la caja acústica derecha a la pareja de conectores a cajas designados por RIGHT. Siga las indicaciones impresas en las etiquetas situadas encima de los conectores. Asegúrese de que el terminal positivo de la caja acústica esté conectado al terminal positivo (+) del amplificador. Asegúrese de que el terminal negativo de la caja acústica esté conectado al terminal negativo (-) del amplificador.

## Problemas y Posibles Soluciones

La mayoría de dificultades que suelen producirse en los sistemas de audio son el resultado de conexiones realizadas incorrectamente o ajustes inapropiados. En caso de que se encuentre con algún problema, aisle en primer lugar el área afectada, compruebe los ajustes de control realizados, determine la causa del fallo y haga los cambios necesarios. Si se ve incapaz de hacer funcionar de nuevo la RMB-1506, considere las sugerencias que le damos para las siguientes condiciones:

### El Indicador Luminoso del Panel Frontal No Se Activa

No entra corriente eléctrica en la RMB-1506. Compruebe las conexiones relativas al suministro de señal eléctrica tanto del amplificador como de su propia casa. Compruebe el conmutador de puesta en marcha del panel frontal. Asegúrese de que esté situado en la posición ON. En caso de que utilice el sistema de puesta en marcha automática mediante detección de señal, asegúrese de que haya una señal en las entradas del aparato. En caso de que utilice activación a distancia mediante señal de disparo de 12 voltios continuos, asegúrese de que haya señal en la pertinente conexión del panel posterior de la RMB-1506.

### No Hay Sonido

Si el amplificador recibe señal eléctrica alterna pero no produce sonido, compruebe el estado de los INDICADORES DE PROTECCION situados en su panel frontal. Si dichos indicadores está activados, lea las líneas que siguen. En caso contrario, compruebe todas las conexiones de su equipo y los ajustes correspondientes a cada uno de los componentes del mismo.

### Los Indicadores Luminosos de Protección Están Activados

Los INDICADORES LUMINOSOS DE PROTECCION del panel frontal se activan cuando los circuitos de protección de la RMB-1506 han interrumpido el funcionamiento normal del aparato. Por regla general, esto sólo suele ocurrir cuando las ranuras de ventilación están bloqueadas, cuando hay una conexión incorrecta de las cajas acústicas o después de un período de utilización en condiciones extremas. Desconecte su equipo y espere que el amplificador se enfríe. A continuación, pulse repetidamente el conmutador de puesta en marcha del panel frontal de la RMB-1506 para reinicializar los dispositivos de protección. Si la anomalía no es corregida y vuelve a hacer acto de presencia, significa que hay un problema en su equipo o en el propio amplificador.

## Características Técnicas

**Potencia Continua de Salida sobre 8 ohmios** (20-20.000 Hz, THD < 0'03%)

6x50 vatios, todos los canales excitados

**Potencia Continua de Salida sobre 4 ohmios** (DIN 1 kHz, THD 1%)

6x80 vatios, todos los canales excitados

**Distorsión Armónica Total (THD)** (20-20.000 Hz, 8 ohmios)

a la potencia nominal: <0'03%

a la mitad de la potencia nominal: <0'03%

a 1 vatios: <0'03%

**Distorsión por Intermodulación** (60 Hz:7 kHz, 4:1)

<0'03%

**Factor de Amortiguamiento** (20-20.000 Hz, 8 ohmios)

>200

**Impedancia de Entrada**

20 kohmios

**Sensibilidad de Entrada**

1 voltio

**Ganancia del Amplificador**

26 dB

**Nivel de Sobrecarga de Entrada**

5 voltios

**Corriente de Pico**

>25 A

**Respuesta en Frecuencia** ( $\pm 1$  dB)

10-100.000 Hz

**Relación Señal/Ruido** (norma IHF/ponderación A)

115 dB

**Diafonía/Separación entre Canales**

>70 dB

**Impedancia de las Cajas Acústicas** (modo Normal)

mínima de 4 ohmios

**Umbral de Arranque Automático** (con todas las entradas)

señal de entrada de 1 mV

**Alimentación**

Versión para EE.UU.: 120 voltios/60 Hz

Versión para Europa: 230 voltios/50 Hz

**Consumo**

450 vatios

En vacío: 42 vatios

En el modo de espera ("Standby"): 2'6 vatios

**Dimensiones** (An x Al x P)

431 x 144 x 424 mm

**Peso Neto**

15'3 kg

**Altura del Panel Frontal**

3U, 132'6 mm

Todas estas especificaciones son correctas en el momento de la impresión del presente manual de instrucciones.

Rotel se reserva el derecho a realizar modificaciones en las mismas sin aviso previo.

## Belangrijke Veiligheidsinstructies

**WAARSCHUWINGEN:** Laat u alstublieft het apparaat gesloten, er bevinden zich binnenin geen door u te bedienen of te herstellen onderdelen. Iedere reparatie dient door een gekwalificeerde technicus verricht te worden.

**WAARSCHUWINGEN:** Om het risico op elektrische schokken of brand te vermijden, moet u zorgen dat het apparaat niet nat wordt. Zet dus geen objecten gevuld met water, b.v. een vaas bloemen, op het apparaat. Zorg er ook voor dat er geen voorwerpen in de behuizing terecht kunnen komen. Mocht het apparaat toch nat zijn geworden of voorwerpen in de behuizing terecht zijn gekomen, ontkoppel dan meteen het toestel van het lichtnet en breng het naar een erkende audiotechnicus ter controle en/of eventuele reparatie.

Lees de gehele gebruiksaanwijzing. Voordat u met het apparaat gaat werken is het van groot belang dat u weet hoe u ermee om moet gaan en dat zo veilig mogelijk.

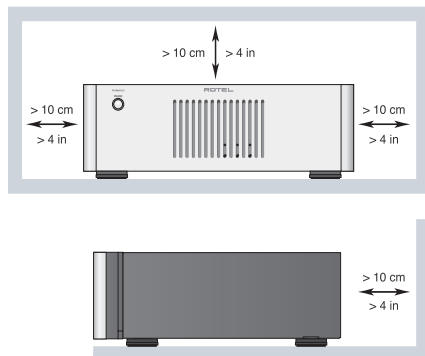
Bewaar deze gebruiksaanwijzing op een plek, die u zich na verloop van tijd nog weet te herinneren.

De waarschuwingen op het apparaat en in de gebruiksaanwijzing zijn belangrijk, sla ze niet in de wind.

Als het apparaat vuil wordt, stof het dan af met een zachte, droge doek, of maak gebruik van een stofzuiger. Gebruik nooit een oplosmiddel van welke soort dan ook.

Gebruik het apparaat niet op natte of vochtige plaatsen.

**Het apparaat moet dusdanig gebruikt worden, dat een behoorlijke koeling niet in het gedrang komt. Laat om het apparaat minstens een ruimte van 10cm. vrij.**



Gebruik het apparaat dus niet op: een bed, een sofa, een plaid of andere onregelmatige oppervlakken waardoor de ventilatiegaten geblokkeerd zouden kunnen worden. Ook het inbouwen in een te kleine ruimte kan een voldoende koeling in de weg staan.

Het apparaat moet verre gehouden worden van warmtebronnen zoals: radiatoren en kachels, maar ook van andere versterkers.

**LET OP:** Uiterst rechts op de achterzijde van het apparaat bevindt zich de lichtnet aansluiting. Zorg ervoor dat het apparaat zo is opgesteld dat u er te allen tijde bij kunt.

Het apparaat mag alleen aangesloten worden op het voltage, zoals aangegeven op de achterzijde. Hier in de Benelux 230V/50Hz.

Het apparaat dient alleen aangesloten te worden middels de bijgeleverde netkabel of een soortgelijk. Doe in ieder geval nooit iets met het netsnoer. Doe ook geen pogingen om de aarding of polariteit van het apparaat te wijzigen en gebruik geen verlengkabels.

De lichtnetstekker van het apparaat kan losgekoppeld worden. Om er echter zeker van te zijn dat hij echt losgekoppeld is, kunt u beter het lichtnetsnoer uit het muurcontact halen. Het stand-by lampje is uit om u te tonen dat de versterker werkelijk van het lichtnet is verwijderd.

De lichtnetkabel dient zo neergelegd te worden, dat hij niet in het looppad ligt of geklemd kan worden tussen scherpe voorwerpen. Vooral de aansluitpunten zijn belangrijk: de aansluiting op de wandcontactdoos en daar waar de kabel op het apparaat wordt aangesloten.

Wanneer het apparaat voor langere tijd niet gebruikt wordt en tijdens onweer, dient de lichtnetkabel uit het lichtnet verwijderd te zijn.

Gebruik alleen die accessoires die door de fabrikant aanbevolen worden.

Plaats het apparaat op een vast plat oppervlak, sterk genoeg om zijn gewicht te dragen. Vermijd verrijdbare instabiele opzetmeubels.



Het apparaat zal in service gegeven moeten worden wanneer één van de volgende situaties zich voordoet:

- Wanneer het netsnoer en/of stekker beschadigd zijn.
- Wanneer er toch voorwerpen/vloeistof in het apparaat terecht zijn gekomen.
- Als het apparaat in de regen heeft gestaan.
- Als het apparaat niet normaal functioneert of een duidelijk afwijkend gedrag vertoont.
- Wanneer het apparaat gevallen is en/of de kast beschadigd is.



Rotel Producten worden zo ontworpen dat zij voldoen aan de internationale regels betreffende de beperking van milieuvriendelijke grondstoffen die gebruikt kunnen worden in elektrische en elektronische apparatuur. Het symbool met de vuilcontainer met het kruis erdoor betekent voor u dat u, wanneer u dit apparaat wilt afvoeren, dit moet doen volgens de regels die daarvoor hier gelden.



Dit symbool wil zeggen dat het betreffende apparaat dubbel geaard is. Een separate aarding is dus overbodig.





## Inhoud

Figurr 1: De bedieningsorganen en de aansluitingen	3
Figuur 2: De in- en uitgangsaansluitingen	4
Héél belangrijk	5
<b>Wij van Rotel</b> .....	<b>30</b>
<b>Aan de slag met de RMB-1506</b> .....	<b>31</b>
Gebruikseigenschappen	31
Een paar voorzorgsmaatregelen	31
Een plek voor de RMB-1506	31
Optionele ventilatorset <b>4</b>	31
<b>Het aansluiten op het lichtnet en de bediening</b> .....	<b>31</b>
De lichtmetaansluiting <b>11</b>	31
De aan/uitschakelaar met bijbehorende indicator <b>1</b>	31
De automatische aan/uit keuzeschakelaar <b>6</b>	32
De +12 volts schakelingang <b>7</b>	32
De +12 volts schakeluitgang <b>7</b>	32
De circuitonderbreker <b>10</b>	32
De beveiligingsindicatoren <b>2</b>	32
<b>De ingangen</b> .....	<b>32</b>
De cinch-ingangen <b>5</b>	32
Mono-schakelaar <b>5</b>	33
Het doorlussen van het ingangssignaal <b>5</b>	33
De ingangsniveauregelaars <b>3</b>	33
De doorlusverbinding van het ingangssignaal <b>6</b>	33
<b>Luidsprekers</b> .....	<b>33</b>
De luidsprekerkeuze	33
De keuze van de luidsprekerkabel	33
Alles in fase	33
Het aansluiten van de luidsprekers <b>9</b>	33
<b>Wat te doen bij problemen</b> .....	<b>34</b>
De lichtnetindicator werkt niet	34
Geen geluid	34
De beveiligingsindicatoren lichten op	34
<b>Technische gegevens</b> .....	<b>34</b>

## Wij van Rotel

Onze geschiedenis begon bijna 50 jaar geleden. Gedurende die tijd mochten we honderden onderscheidingen ontvangen en hebben we honderdduizenden mensen, die hun thuisamusement serieus nemen – zoals u - gelukkig kunnen maken.

Rotel werd opgericht door een familie met een gepassioneerde betrokkenheid bij muziek, die hen leidde tot het produceren van geluidsapparatuur van onberispelijke kwaliteit. In de loop der jaren is die passie onveranderd gebleven en het familiedoel om audiofielen en muzikliefhebbers, ongeacht hun budget, topkwaliteit te bieden, wordt nog steeds door iedere Rotel-medewerker gesteund.

Rotel's technici werken als een hecht team al tweakend en luisterend totdat ieder nieuw product dat muzikale niveau heeft bereikt, dat hun bij de aanvang van het project voor ogen stond. Zij worden volkomen vrijgelaten in hun keuze van componenten, waar ze ook op de wereld vandaan moeten komen. In Rotel apparatuur kunt u condensatoren tegenkomen uit Duitsland en Engeland, of half geleiders uit Amerika en Japan. De ringkerntransformatoren komen echter altijd uit eigen huis.

We maken ons allemaal zorgen over het milieu. Daar er steeds meer elektronica-producten worden gefabriceerd en ook later weer worden afgedankt, is het voor een fabrikant van het grootste belang om er alles aan te doe, producten te vervaardigen die een zo min mogelijk negatieve impact hebben op natuur en grondwater.

Bij Rotel zijn we er trots op ons steentje te kunnen bijdragen. We hebben bijvoorbeeld het aandeel lood in onze elektronica aanzienlijk teruggebracht door over te stappen op een speciaal ROHS (Restriction of Hazardous Substances) soldeer, terwijl wij onze klasse D (niet de D van digitaal) versterkers vijfmaal zo efficiënt gemaakt hebben t.o.v. onze vroegere ontwerpen, met handhaving van vermogen en prestatie. Ze blijven koel, vermorsen vrijwel geen energie meer, zijn dus minder belastend voor het milieu en klinken nog beter ook!

Tussen twee haakjes, deze handleiding is gedrukt op hergebruikt papier.

Wij realiseren ons dat dit de eerste stapjes zijn, maar ze zijn voor ons zeer belangrijk en we blijven nieuwe wegen en materialen zoeken voor een schonere en meer "groene" productiewijze,

Door de aanschaf van dit product danken wij u voor het in ons gestelde vertrouwen en wensen wij u er veel en langdurig plezier mee.

## Aan de slag met de RMB-1506

Wij danken u voor de aankoop van onze RMB-1506 eindversterker. Wij zijn ervan overtuigd, dat de muziek d.m.v. deze RMB-1506 ten gehore gebracht, voor u een jarenlange bron van plezier zal zijn.

De RMB-1506 is een hoogontwikkelde zeskanals eindversterker, voor het verrichten van zeer hoge prestaties in een audioketen. Volkomen gescheiden uitgangstrappen, een zeer ruim bemeten energiehuishouding, eerste klas onderdelen en natuurlijk Rotel's "Balanced Design" concept staan borg voor een excellente geluidskwaliteit. Bovenstaande kenmerken maken de RMB-1506 tot de ideale kompaan voor moeilijk aan te sturen luidsprekereenheden.

### Gebruikseigenschappen

- Zes kanalen eindversterker, met een vermogen van 50 watts per kanaal aan 8 ohm.
- Niveau-instelling d.m.v. instelpotentiometers op de voorkant.
- Door gebruiker instelbare aan/uitschakelmogelijkheden: handmatig, automatisch bij signaal aanbod of d.m.v. een 12 volts "trigger" signaal.
- Ruimte voor het aanbrengen van een koelventilator voor gebruik onder extra zware omstandigheden.
- Beveiligd tegen extreem en verkeerd gebruik met aanduidingen op de voorkant.
- Om de versterker multi-inzetbaar te maken, hebben wij hem uitgerust met doorverbindbare ingangen, een mono-schakelaar en doorsluitingen op de uitgangen.

### Een paar voorzorgsmaatregelen

Leest u vooral goed de gebruiksaanwijzing. Er staat behalve over het installeren en de bediening, belangrijke informatie in over de verschillende manieren waarop u de RMB-1506 in uw installatie kan inpassen, alsmede algemene richtlijnen om het maximale uit uw audio-installatie te halen. Mocht u, ondanks onze pogingen om het u zo duidelijk mogelijk te maken, toch nog vragen hebben aarzel dan niet om met uw Rotel dealer contact op te nemen: hij heeft vast en zeker de antwoorden. U mag ook contact met ons opnemen, wij staan open voor uw vragen en commentaar.

Bewaar als het even kan de verpakking. Altijd handig bij een eventuele verhuizing of wanneer het apparaat opgestuurd moet worden voor reparatie, want er is geen betere bescherming tijdens transport dan zijn eigen doos.

Dit zijn Rotel's algemene garantievoorwaarden: 5 jaar op de elektronische onderdelen, 2 jaar op de mechanische onderdelen en 1 jaar op een laserunit. Voor het claimen van garantie moet u wel in het bezit zijn van de originele aankoopfactuur. De garantie is niet overdraagbaar.

### Een plek voor de RMB-1506

Ook houdt hij niet van hitte, vocht en trillingen. Vooral niets op de versterker plaatsen en zorg ervoor dat er geen vloeistof in de versterker terecht kan komen.

Het spreekt voor zich dat u bij het uitkiezen van een plek het toch wel hoge gewicht van de RMB-1506 in de gaten houdt.

De RMB-1506 produceert ook onder normale omstandigheden nogal wat warmte. De koelribben en de ventilatieopeningen zijn echter onder normale condities ruim voldoende om deze warmte adequaat te kunnen afvoeren. **Zorg dat de RMB-1506 de ruimte heeft ( $\pm 10$ cm. rondom).** Plaatst u hem in een meubel, zorg dan voor voldoende ventilatie.

### Optionele ventilatorset

De RMB-1506' ruim uitgevoerde koelplaten zorgen voor voldoende koeling onder normale omstandigheden. Wanneer echter door rackmontage of een andere benauwde omstandigheid gecombineerd met ook warmte afgevend apparaten de temperatuur wel erg ver oploopt, kan een extra koeling nodig zijn. Daarvoor hebben we de optioneel verkrijgbare ventilatorset RKB-1 op de markt gebracht. Deze is zeer eenvoudig te installeren. Een bijkomend voordeel van deze ventilator is dat de versterkerprestaties worden verbeterd, speciaal bij het aansturen van moeilijke luidsprekerbelastingen. Laat u over deze set informeren door uw Rotel-adviseur.

**Extra Informatie:** Deze koelset maakt wel wat geluid tijdens zijn werk. Het lijkt ons dan ook verstandig de eindversterker op een plaats te zetten waar uw luisterplezier niet door dat geluid wordt bedorven.

## Het aansluiten op het lichtnet en de bediening

### De lichtnet aansluiting

Uw RMB-1506 is ingesteld op het lichtnet voltage van het land waarin hij gekocht is. In uw geval dus 230/240 volts. U kunt het ingestelde voltage controleren op de achterkant van het apparaat.

Wij hebben het juiste netsnoer bij de RMB-1506 gedaan. Gebruik alleen dit snoer of een perfect equivalent. Gebruik NOOIT een verlengsnoer. U kunt een z.g. spanningsblok gebruiken, echter alleen als deze geschikt is voor de hoeveelheid stroom die de RMB-1506 uit het lichtnet trekt.

Zorg dat de versterker uitgeschakeld staat wanneer u het bijgeleverde netsnoer op de versterker en op het lichtnet aansluit.

Als u van plan bent om langdurig van huis te zijn, adviseren wij u uw gehele beeld en geluidsinstallatie (dus ook de RMB-1506) van het lichtnet te ontkoppelen.

### De aan/uitschakelaar met bijbehorende indicator

De aan/uitschakelaar vindt u links op de voorkant van de versterker onder de aanduiding "POWER". Wanneer u de RMB-1506 aan wilt zetten drukt u deze toets in. De ring rond deze toets licht nu op, ten teken dat de versterker aanstaat. Wanneer u nu nogmaals de schakelaar indrukt, gaat hij uit.



## De automatische aan/uit keuzeschakelaar

U kunt op drie manieren de RMB-1506 al dan niet automatisch aan/uit zetten. U kunt kiezen met de schakelaar op de achterkant van de versterker op de onderstaande wijze:

- **Met deze schakelaar in de uit ("OFF") positie**, kunt u de RMB-1506 middels de schakelaar "POWER" op de voorkant handmatig aan-en uitzetten. Gebruik deze manier ook wanneer u met de geschakelde spanningsuitgang op de achterkant een ander apparaat b.v. een voorversterker aan/uit wilt zetten.
- **Met deze schakelaar in de SIGNAL SENSE positie**, wordt de RMB-1506 automatisch aangeschakeld zodra er een signaal op de ingang komt. De versterker gaat weer uit ("STANDBY") wanneer de RMB-1506 gedurende enkele minuten geen signaal meer ontvangt. Het gebruik van de aan/uit schakelaar op de voorkant doet deze functie echter teniet. Deze schakelaar moet dus op aan ("ON") staan voor deze functie. Staat deze schakelaar op uit ("OFF") dan staat de versterker onder alle omstandigheden dan ook echt uit.
- **Met deze schakelaar in de "12V TRIG" positie**, wordt de versterker automatisch aangeschakeld wanneer er een 12 volt signaal verschijnt op de 3.5mm "12 TRIG IN" aansluiting links van deze schakelaar. Zodra dit 12V. signaal verdwijnt gaat de RMB-1506 uit. Ook deze "auto-aan/uit" functie werkt echter niet wanneer de "POWER" schakelaar op de voorkant van de versterker niet is ingedrukt.

## De +12 volts schakelingang

Op deze 3.5mm plugaansluiting moet u een signaal van +12 volts zetten, van b.v. een Rotel voorversterker of surround-processor, om de versterker op afstand aan en uit te kunnen schakelen. Om deze functie te kunnen gebruiken moet de betreffende schakelaar in de linker positie gezet worden (zie vorige paragraaf).

Deze schakelingang werkt bij zowel gelijkals wisselspanning en deze mag variëren tussen 3 en 30 volts. Voor deze functie heeft u een kabel nodig met aan beide zijden een 3.5mm miniplug. Het 12 volt signaal staat op de tip van de plug.

## De +12 volts schakeluitgang

De 3.5mm aansluiting gemerkt "OUT" is om het schakelsignaal over te brengen naar een ander component dat op eenzelfde wijze werkt. Op deze aansluiting staat alleen een 12 volts signaal als ook op de aansluiting "IN" een 12 volts signaal staat.

## De circuitonderbreker

Een circuitonderbreker op de achterkant beschermt de voeding van de versterker. Normaal gesproken wordt dit circuit alleen aangesproken onder bedreigende en extreme omstandigheden die resulteren in een excessief hoge stroomafname. Om de onderbrekerfunctie te herstellen drukt u op de toets "AC BREAKER". Wordt deze circuitonderbreker regelmatig aangesproken dan wordt het tijd uw Rotel adviseur om technische steun te vragen.

## De beveiligingsindicatoren

De RMB-1506 is uitgerust met een thermische beveiliging, welke de versterker behoedt voor schade veroorzaakt door foutief of extreem gebruik. In tegenstelling tot vele andere versterkers, werkt dit beveiligingscircuit onafhankelijk van het audiosignaal, dus heeft het geen invloed op de geluidswaergave. De beveiliging houdt continu de temperatuur in de gaten en schakelt de versterker uit wanneer deze te heet wordt.

Bovendien heeft de RMB-1506 een stroombeveiligingscircuit, die hem beschermt tegen te lage luidsprekerimpedanties.

Mocht deze alarmsituatie zich voordoen, dan stopt de versterker met het produceren van geluid en één of meerdere indicators "PROTECTION" gaat/n branden. Gebeurt dit, schakel de versterker dan uit, laat hem gedurende enkele minuten afkoelen en probeer er ondertussen achter te komen wat de oorzaak van het probleem zou kunnen zijn. Wanneer u nu de versterker weer aanzet, zal het beveiligingscircuit zichzelf herstellen en blijft/blijven de indicator/s uit.

In de meeste gevallen wordt het beveiligingscircuit geactiveerd door een foutieve aansluiting b.v. kortsluiting van de luidsprekerbedrading of slechte ventilatie met oververhitting als gevolg. Slechts in uitzonderlijke gevallen zal de impedantie (extreem laag) of de Inductie (zeer hoog) van een luidspreker de oorzaak zijn van het ingrijpen van het beveiligingscircuit.

## De ingangen

Zoals vrijwel alle huiskamercomponenten sluit u de RMB-1506 aan middels kabels met de bekende cinchpluggen.

Tevens hebben we de RMB-1506 uitgerust met een signaaldoorvoeraansluiting om ingangssignaal "A" onversterkt door te kunnen voeren naar een ander component. Bovendien kan het ingangssignaal op ingang "A" doorgeschakeld worden op ingangen "B" en "C". Zodoende heeft u geen extra ingangskabels nodig voor die andere kanalen, wanneer u de versterker gaat gebruiken in een systeem waarin hij meerdere paren luidsprekereenheden moet aansturen.

## De cinch-ingangen

Zie figuur 2

De RMB-1506 is uitgerust met één stel ingangen per versterkerpaar. Deze ingangen zijn voor het ontvangen van het uitgangssignaal van een voorversterker of "surround-processor". Gebruik als het even kan kwaliteitskabels voor deze verbindingen.

Verbind de linker uitgang van uw voorversterker met één van de aansluitingen "INPUT L" van de RMB-1506. Verbind de rechter uitgang van uw voorversterker met één van de aansluitingen "INPUT R". Zorg ervoor dat de ingangsschakelaar naast de ingang op "STEREO" staat.

## Mono-schakelaar

Wanneer de schakelaar "MONO" aan ("ON") wordt gezet, worden het linker en rechter kanaal aan elkaar doorverbonden.

## Het doorlussen van het ingangssignaal


U heeft de mogelijkheid de ingangsparen "B" en "C" door te lussen naar ingangspaar "A" door de schakelaar naast de betreffende ingang op "LINK" te zetten. Wanneer de betreffende ingang op deze wijze is doorgelust is een aparte set verbindingskabels voor dit ingangspaar niet nodig. Het ingangssignaal van ingangspaar "A" wordt nu ook doorgegeven naar het versterkerpaar dat u heeft doorgelust (GELINKD). U kunt zodoende drie paar eindversterkers van hetzelfde stereo ingangssignaal voorzien.

## De ingangsniveauregelaars

Met de drie potentiometers op de voorkant, kunt u het geluidsniveau van de versterker per stereopaar instellen. Zo kunt u de RMB-1506 aanpassen aan andere componenten in een gecompliceerde installatie. De regelaar gemerkt "A" regelt het niveau van stereopaar "A", die gemerkt met "B" het stereopaar "B" en die gemerkt met "C" stereopaar "C".

Gebruik een kleine platte schroevendraaier om de niveaus in te stellen: rechtsom hoger en linksom lager.

## De doorlusverbinding van het ingangssignaal

Dit paar cinch-aansluitingen kan gebruikt worden om een onversterkt signaal door te sturen naar een ander component, bij voorbeeld het doorlussen naar een andere eindversterker voor een extra stel luidsprekers. Het ingangssignaal "A" staat op deze twee uitgangen  ("SIGNAL OUTPUT LINK") dan altijd tot uw beschikking.

---

**Extra Informatie:** De ingangssignalen op ingangen "A" kunnen ook doorgelust worden naar ingangen "B" en/of "C", door de schakelaar naast de betreffende ingang op "LINK" te zetten.

---

## Luidsprekers

De RMB-1506 heeft drie paar kleurcodeerde luidsprekeraansluitingen, één paar per kanaal.

### De luidsprekerkeuze

De nominale impedantie van de luidsprekers die u op de RMB-1506 mag aansluiten is minimaal 4 ohm. Wenst u parallel een tweede paar luidsprekers aan te sluiten op de RMB-1506, dan wordt de totaalimpedantie altijd lager dan de laagste impedantie. Voorbeeld: Wanneer u twee stel luidsprekers van 8 ohm wilt aansluiten dan "ziet" de versterker slechts een 4 ohm belasting. Wanneer u dus een tweede stel luidsprekers wenst aan te sluiten zorg dan dat de impedantie per speaker niet lager is dan 8 ohm.

### De keuze van de luidsprekerkabel

Om de volle potentie van deze versterker te kunnen ondergaan adviseren wij u hoge kwaliteit luidsprekerkabel te gebruiken. Standaard twee-aderig draad werkt wel, maar, en u kunt het geloven of niet, de kwaliteit van de kabel is echt van grote invloed

op de to-tale prestaties van uw installatie, vooral bij grotere lengtes. Gebruik dan daarom ook dik luidsprekerdraad, wellicht zou u kunnen overwegen speciaal luidsprekerkabel aan te schaffen. Informeer eens bij uw Rotel leverancier over de diverse mogelijkheden voor uw installatie.

### Alles in fase

Het is niet alleen belangrijk dat u de luidsprekers met de juiste kanalen verbindt, (hiermee bedoelen wij links aanlinks en rechts aanrechts enz.), maar ook dat u ze correct aansluit t.o.v. het signaal. Kortom, wat moet u doen?

Zorg ervoor dat de + (rood) van de speaker aan de + van de versterker is aangesloten en dus de - (zwart) van de speaker aan de - van de versterker. Goede luidsprekerkabel, zoals in het vorige onderwerp besproken is, om het u gemakkelijk te maken, meestal gemerkt doordat een tekst op een van de twee aders is afgedrukt of inderdaad een van de twee geleiders gemerkt is met een kleur. Als u die tekst of kleur op alle kanalen als plus aanhoudt dan weet u dat u het goed gedaan heeft. Controle is dan ook niet meer noodzakelijk.

### Het aansluiten van de luidsprekers

Zie *figuur 2*

De RMB-1506 heeft twee paar kleurcodeerde luidsprekeraansluitingen per groep, één paar per kanaal. De aanduidingen boven de connectoren tonen u de correcte verbindingwijze. De genoemde connectoren kunnen aangesloten worden met kaal gestripte kabel, middels de bekende kabelvorkjes en met banaanpluggen, hoewel dat laatste binnen de Europese gemeenschap (officieel) niet mag.

Gebruik genoeg kabel om eventueel bij calamiteiten de luidspreker of de versterker weg te kunnen schuiven.

Als u tegen alle community-regels in toch banaanpluggen wilt gebruiken, moet u de draaipluggen van de RMB-1506 wel helemaal indraaien.

Het beste is om verbindingvorkjes voor de luidsprekeraansluitingen te gebruiken. Wilt u echter de kabels direct aan de luidsprekeruitgangen monteren, strip dan de juiste hoeveelheid isolatie van de kabel zonder het draad zelf af te snijden en steek deze dan door het gat van de verbindingssas nadat u de draaipluggen heeft losgedraaid. Draai deze dan vervolgens weer vast.

---

**Extra Informatie:** Let er vooral goed op dat er geen verdwaalde draadjes van de ene luidsprekeruitgang de andere uitgang raken!

---

Sluit de linker luidsprekers aan op de connectoren gemerkt "LEFT" en de rechter luidsprekers op de connectoren gemerkt "RIGHT". Zorg dat de plus van de luidspreker, meestal rood gemerkt, op de plus van de versterker wordt aangesloten en de min, meestal zwart, op de min van de versterker.

## Wat te doen bij problemen

De meeste problemen in geluidsinstallaties ontstaan door slechte aansluitingen of het verkeerd gebruik van de knoppen en toetsen. Als u problemen tegenkomt, probeer ze dan te lokaliseren: check eerst de bedieningsorganen en maak eventueel de juiste correcties. Komt u er dan nog niet uit, probeer dan de onderstaande suggesties:

### De lichtnetindicator werkt niet

Het is duidelijk: uw RMB-1506 ziet het lichtnet niet. Controleer of de aan/uitschakelaar "POWER" wel ingedrukt is en controleer tevens of de lichtnetkabel wel goed en stevig is aangesloten. Check ook of er wel een muzieksignaal aanwezig is wanneer u de aan/uitwijze "SIGNAL SENSING" heeft gekozen en of er wel een +12 volts signaal is wanneer u deze wijze van aan/uitschakelen gebruikt.

### Geen geluid

De lichtnetindicator brandt wel, maar jammer genoeg weinig welluidende klanken. Controleer eerst de beveiligingsindicatoren branden. Is dat inderdaad het geval, handel dan als onderstaand. Zo niet, check dan alle verbindingen en of de toetsen en knoppen van de voorafgaande apparatuur wel correct staan. Overtuig u er van of de ingangsverbindingen wel overeenstemmen met de mono/stereoconfiguratie van de luidsprekeraansluitingen

### De beveiligingsindicatoren lichten op

Als de beveiligingsindicatoren oplichten is er iets loos. Er zijn nu drie mogelijkheden: de ventilatiegaten bovenop de versterker worden geblokkeerd, er heerst kortsluiting bij de luidsprekeruitgangen of er is een tijdje lang extreem met de RMB-1506 te keer gegaan. Zet de versterker eerst uit, check dan de eerste twee mogelijkheden. De derde mogelijkheid weet u zelf het best. Wacht een paar minuten om de RMB-1506 de gelegenheid te geven af te koelen. Zet de versterker weer aan. Nu moet het probleem zijn opgelost. Doet hij het nog niet of treedt het verschijnsel weer op, dan is het tijd om contact met uw leverancier op te nemen.

## Technische gegevens

### Continue uitgangsvermogen aan 8 ohm alle kanalen functionerend

(20-20.000 Hz. < 0,03% THD)

6x50 Watts p/kan. aan 8 ohm.

### Continue uitgangsvermogen aan 4 ohm alle kanalen functionerend

(DIN bij 1kHz. en 1% THD)

6x80 Watts p/kan. aan 4 ohm.

### Totale harmonische vervorming (20-20.000 Hz. 8 ohm)

< 0,03% bij vol vermogen, half vermogen en bij 1 Watt

### Intermodulatie vervorming (60 Hz: 7 kHz., 4: 1)

< 0,03%

### Dempingsfactor (20-20.000 Hz. aan 8 ohm)

> 200

### Ingangsimpedantie

20 k ohm

### Ingangsgoedigheid

1 V.

### Versterkingsfactor

26 dB

### Oversturingniveau aan de ingang

5 V.

### Piekstroom

> 25 A.

### Frequentiebereik ( $\pm 1$ dB)

10 Hz. – 100 kHz.

### Signaal/ruisverhouding (IHF, A netwerk)

115 dB.

### Kanaalscheiding

> 70 dB.

### Luidsprekerimpedantie

4 ohm minimaal

### Activeringsniveau bij "SIGNAL SENSE"

1 mV aan de ingang

### Lichtnetspanning

120 V. 60 Hz. Of 230 V. 50 Hz.

### Vermogensopname

450 Watts

42 Watts verlies

2.6 Watts in "standby"

### Afmetingen

431 x 144 x 424 mm. (bxhxd)

### Netto gewicht

15.3 kg

### Hoogte van het voorpaneel

3 U, 132.6 mm.

Gegevens en ontwerp zijn voorbehouden.

Rotel houdt zich het recht voorbehouden om zonder mededeling vooraf verbeteringen aan te brengen.

## Importanti informazioni di Sicurezza

**ATTENZIONE:** Non vi sono all'interno parti riparabili dall'utente. Per l'assistenza fate riferimento a personale qualificato.

**ATTENZIONE:** Per ridurre il rischio di incendio e di scossa elettrica non esponete l'apparecchio all'umidità o all'acqua. Non esponete il prodotto a schizzi d'acqua. Non posizionate contenitori d'acqua, ad es. vasi, sull'unità. Evitare che cadano oggetti all'interno del cabinet. Se l'apparecchio è stato esposto all'umidità o un oggetto è caduto all'interno del cabinet, staccate il cavo di alimentazione dalla presa. Portare l'apparecchio ad un centro di assistenza qualificato per i necessari controlli e riparazioni.

Leggere attentamente tutte le istruzioni prima di collegare l'apparecchio alla rete di alimentazione ed utilizzarlo.

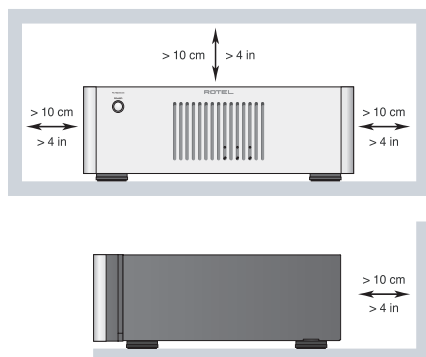
Conservate questo manuale per ogni riferimento futuro alle istruzioni di sicurezza.

Seguire attentamente tutte le avvertenze e le informazioni sulla sicurezza contenute in queste istruzioni e sul prodotto stesso. Seguire tutte le istruzioni d'uso.

Pulire il cabinet solo con un panno asciutto o con un piccolo aspirapolvere.

Non utilizzate questo prodotto vicino all'acqua.

**Mantenere 10 cm circa di spazio libero da tutti i lati del prodotto.**



Non posizionate l'apparecchiatura su un letto, divano, tappeto, o superfici che possano bloccare le aperture di ventilazione. Se l'apparecchio è posizionato in una libreria o in mobile apposito, fate in modo che ci sia abbastanza spazio attorno all'unità per consentire un'adeguata ventilazione e raffreddamento.

Tenete l'unità lontano da fonti di calore come termosifoni, termoconvettori, stufe, o altri apparecchi che producono calore

**ATTENZIONE:** Per potere togliere completamente l'alimentazione all'unità bisogna scollegare il cavo di rete AC. Questo prodotto dovrebbe essere posizionato in uno spazio aperto che permetta di accedere agevolmente al connettore del cavo di alimentazione.

L'apparecchiatura deve essere collegata esclusivamente ad una sorgente di alimentazione elettrica del tipo indicato sul pannello posteriore dell'unità. (USA: 120V/60Hz, EC: 230V/50Hz)

Collegate l'unità alla presa di alimentazione solo con il cavo che viene fornito o con uno equivalente. Non modificate il cavo in dotazione in alcun modo. Non cercate di eliminare la messa a terra o la polarizzazione, sono previste per la vostra sicurezza. Non utilizzate prolunghe.

Per scollegare completamente il prodotto dall'alimentazione, il cavo di alimentazione dovrebbe essere scollegato dalla presa AC, che dovrebbe essere sempre facilmente accessibile. Quando il cavo di alimentazione è scollegato dalla presa il LED indicatore standby sarà spento.

Non fate passare il cavo di alimentazione dove potrebbe essere schiacciato, pizzicato, piegato ad angoli acuti, esposto al calore o danneggiato. Fate particolare attenzione al posizionamento del cavo di alimentazione all'altezza della presa e nel punto in cui esce dalla parte posteriore dell'apparecchio.

Il cavo di alimentazione dovrebbe essere scollegato dalla presa durante i temporali, o quando l'apparecchiatura rimane inutilizzata per un periodo piuttosto lungo.

Utilizzate esclusivamente accessori indicati dal produttore.

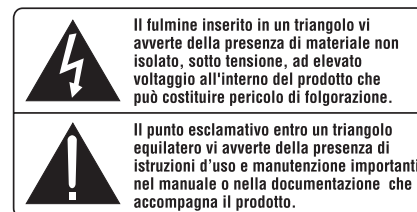
Utilizzate solo carrelli, stand, rack, staffe o mensole raccomandati da Rotel. Fate attenzione quando spostate l'unità su un mobile con ruote poiché potrebbe cadere e provocare danni a cose o persone.



Utilizzate cavi per i diffusori isolati in Classe 2 per garantire un adeguato isolamento e limitare eventuali rischi di shock elettrico.

L'apparecchiatura deve essere disattivata immediatamente e fatta ispezionare da personale qualificato quando:

- Il cavo di alimentazione o la spina sono stati danneggiati.
- Sono caduti oggetti, o del liquido è stato versato nell'apparecchio.
- L'apparecchiatura è stata esposta alla pioggia.
- L'apparecchiatura non sembra funzionare in modo normale.
- L'apparecchiatura è caduta, o è stata danneggiata in qualche modo.



I prodotti Rotel sono realizzati in conformità con le normative internazionali: Restriction of Hazardous Substances (RoHS) per apparecchi elettronici ed elettrici, ed alle norme Waste Electrical and Electronic Equipment (WEEE). Il simbolo del cestino con le ruote e la croce sopra, indica la compatibilità con queste norme, e che il prodotto deve essere riciclato o smaltito in ottemperanza a queste direttive.



Questo simbolo indica che questo prodotto è doppiamente isolato. Non è necessario il collegamento della messa a terra.



## Indice

Figura 1: Controlli e connessioni	3
Figura 2: Collegamenti ingresso preamp ed uscita per diffusori	4
Note importanti	5
<b>Importanti informazioni di Sicurezza</b> .....	<b>35</b>
<b>Alcune Parole Sulla Rotel</b> .....	<b>36</b>
<b>Per Cominciare</b> .....	<b>37</b>
Caratteristiche	37
Alcune precauzioni	37
Posizionamento	37
Kit di raffreddamento a ventola opzionale <b>4</b>	37
<b>Alimentazione e comandi</b> .....	<b>37</b>
Alimentazione in corrente alternata <b>11</b>	37
Interruttore di accensione e LED indicatore <b>1</b>	38
Selettore modalità automatica Accensione/spengimento <b>8</b>	38
Ingresso TRIGGER 12V <b>7</b>	38
Uscita TRIGGER 12V <b>7</b>	38
Interruttore di protezione <b>10</b>	38
Indicatori di protezione <b>2</b>	38
<b>Collegamenti di segnale</b> .....	<b>38</b>
Ingressi RCA <b>5</b>	38
Commutatore Mono <b>5</b>	39
Collegamento degli ingressi <b>5</b>	39
Controlli degli ingressi di linea <b>3</b>	39
Uscita del segnale Link <b>6</b>	39
<b>Diffusori</b> .....	<b>39</b>
Scelta dei diffusori	39
Scelta dei cavi dei diffusori	39
Polarità e fase	39
Collegamento dei diffusori <b>9</b>	39
<b>Risoluzione dei problemi</b> .....	<b>40</b>
Il LED indicatore Power sul pannello frontale non sia accende	40
Nessun suono	40
Nessun suono da sorgenti digitali	40
<b>Caratteristiche tecniche</b> .....	<b>40</b>

## Alcune Parole Sulla Rotel

La nostra storia ha avuto inizio quasi 50 anni fa. Nel corso del tempo abbiamo ricevuto centinaia di riconoscimenti per la qualità dei nostri prodotti e soddisfatto centinaia di migliaia di audiofili ed amanti della musica. Proprio come voi!

Rotel è stata fondata da una famiglia la cui passione per la musica ha portato alla realizzazione di componenti alta fedeltà di qualità senza compromessi. Attraverso gli anni questa passione non si è affievolita e l'obbiettivo di realizzare apparecchi di straordinario valore per veri audiofili, indipendentemente dal loro budget, continua ad essere condiviso da tutti coloro che vi lavorano.

I nostri progettisti operano in stretto contatto tra loro ascoltando ed affinando ogni nuovo prodotto fino a raggiungere determinati standard qualitativi. Viene loro offerta una totale libertà di scelta sui componenti per ottenere le migliori prestazioni possibili. Non è raro quindi trovare in un Rotel condensatori di fabbricazione inglese o tedesca, semiconduttori giapponesi o americani, con la sola eccezione dei trasformatori di alimentazione, prodotti come tradizione nelle nostre fabbriche.

Noi tutti abbiamo a cuore i temi dell'ambiente. Pensando che al termine della loro vita operativa gli apparecchi elettronici verranno dismessi, è molto importante per un costruttore responsabile fare tutto il possibile affinché abbiano un impatto ambientale il più possibile ridotto.

Alla Rotel siamo orgogliosi di fare la nostra parte riducendo il contenuto di piombo nei nostri apparecchi rispettando rigorosamente la normativa RoHS. Inoltre abbiamo sviluppato amplificatori finali in Classe D (non digitale) fino a cinque volte più efficienti rispetto ai modelli tradizionali a parità di potenza e prestazioni. Questi modelli non producono calore durante il funzionamento, dissipando quindi pochissima energia ed offrono un suono perfino migliore.

Da ultimo poi, abbiamo stampato queste pagine su carta riciclata.

Certamente si tratta di piccoli passi, ma importanti perché nella giusta direzione. Ed è nostra intenzione proseguire, cercando di migliorare i processi produttivi ed utilizzare materiali sempre più rispettosi dell'ambiente.

Noi tutti di Rotel vi ringraziamo per aver acquistato questo prodotto che, siamo sicuri, vi accompagnerà per molti anni di puro divertimento e soddisfazione.

## Per Cominciare

Grazie per aver acquistato l'amplificatore finale a 6 canali Rotel RMB-1506. Se utilizzato in un sistema home theater o stereo di alta qualità, il vostro amplificatore Rotel vi permetterà di godere di molti anni di buona musica.

L'RMB-1506 è un sofisticato amplificatore finale a 6 canali a discreti, dotato di un potente trasformatore di alimentazione, componenti selezionati, condensatori ad alta corrente che assicurano la possibilità di pilotare anche i carichi più impegnativi ed è progettato seguendo le regole del Rotel Balanced Design Concept, che garantisce le superbe qualità sonore dei nostri prodotti.

### Caratteristiche

- Amplificatore finale a 6 canali, con potenza di 50W per canale su 8ohm.
- Controllo dei livelli di ingresso sul pannello frontale.
- Possibilità di selezionare la modalità di accensione/spengimento: manuale, con rilevazione automatica del segnale in ingresso, o attraverso un segnale esterno trigger a 12V.
- Predisposizione per installazione del kit opzionale di raffreddamento a ventola per aumentare la dissipazione del calore e delle prestazioni.
- Circuito di protezione con segnalazione sul pannello frontale.
- Collegamento segnali in ingresso, commutatore ingresso mono e connettori di collegamento dei segnali in uscita per la massima flessibilità di configurazione del sistema

### Alcune precauzioni

Vi preghiamo di leggere con attenzione questo manuale. Insieme alle istruzioni d'uso e di installazione di base, fornisce una valida informazione sulle varie configurazioni del RMB-1506 ed altre informazioni generali che vi aiuteranno a sfruttare al meglio il vostro sistema. Siete pregati di mettervi in contatto con il vostro rivenditore autorizzato Rotel per eventuali domande o dubbi a cui non trovate risposta in questo manuale. Inoltre, tutti noi della Rotel saremo lieti di rispondere a qualsiasi vostra domanda e commento.

Conservate la scatola di imballo ed il materiale di protezione accluso del RMB-1506 per eventuali necessità future. La spedizione o lo spostamento del RMB-1506 in qualsiasi altro contenitore che non sia l'imballo originale potrebbe causare seri danni al prodotto.

Conservate la ricevuta d'acquisto originale. E' la prova di acquisto del prodotto contenente la data di acquisto, che vi servirà nell'eventualità di dovere ricorrere ad interventi di riparazione in garanzia.

### Posizionamento

Posizionate il RMB-1506 su una superficie piana e solida lontano da raggi del sole diretti, fonti di calore o umidità e vibrazioni.

Non sovrapponetevi al RMB-1506 altri componenti. Fate attenzione che non cadano liquidi o altri oggetti nell'unità.

Assicuratevi che lo scaffale o il mobile possano sostenerne il peso.

L'RMB-1506 genera calore durante il normale funzionamento. Non ostruite le aperture di ventilazione. **Lasciate almeno 10cm di spazio libero attorno all'unità.** Se installato in un cabinet, assicuratevi che ci sia una adeguata ventilazione.

### Kit di raffreddamento a ventola opzionale

Il generoso dissipatore del RMB-1506 è in gradoni smaltire adeguatamente il calore prodotto durante il funzionamento nella maggior parte delle installazioni; comunque, nel caso in cui l'installazione a rack o di altro tipo lo richieda, potrebbe essere necessario aumentare la ventilazione. Il kit opzionale di raffreddamento ad aria forzata: RKBF-1 può essere facilmente installato: oltre ad abbassare la temperatura di funzionamento, il kit opzionale aumenta le prestazioni dell'amplificatore, specialmente quando pilota carichi difficili. Chiedete maggiori informazioni a riguardo del kit opzionale di raffreddamento al vostro rivenditore Rotel.

---

**Nota:** Il kit opzionale di raffreddamento genera rumore meccanico durante il funzionamento, per cui quando lo utilizzate, posizionate l'amplificatore in modo da non recare disturbo all'ascolto.

---

## Alimentazione e comandi

### Alimentazione in corrente alternata

Il vostro RMB-1506 è configurato dalla fabbrica per funzionare alla tensione di alimentazione appropriata del paese in cui l'avete acquistato (USA: 120volt/60Hz AC; Europa:230 volt/50Hz AC). La tensione di alimentazione AC impostata è indicata su un adesivo posto sul retro del vostro apparecchio.

Collegate l'unità alla presa di alimentazione solo con il cavo che viene fornito o con uno equivalente. Non modificate il cavo in dotazione in alcun modo. Non utilizzate prolunghe.

Assicuratevi che l'interruttore principale sul pannello frontale del RMB-1506 sia in posizione "OFF". Quindi inserite il cavo fornito in dotazione nell'apposita presa AC INPUT sul retro dell'apparecchio e successivamente inserite l'altro capo del cavo nella presa di alimentazione di rete.

Il cavo di alimentazione dovrebbe essere scollegato dalla presa se l'apparecchiatura rimane inutilizzata per un periodo piuttosto lungo.

### Interruttore di accensione e LED indicatore

L'interruttore di accensione si trova sul pannello frontale del vostro amplificatore. Per attivare l'amplificatore, premetelo. L'anello attorno all'interruttore si illuminerà, indicando lo stato di attivazione dell'amplificatore. Per spegnere l'amplificatore, premete nuovamente il tasto che tornerà in posizione esterna.

### Selettore modalità automatica Accensione/spegnimento

L'RMB-1506 dispone di tre differenti modalità per l'accensione/spegnimento manuale o automatico. Queste modalità sono selezionabili utilizzando un selettore a tre posizioni sul pannello posteriore dell'unità:

- **Con il selettore in posizione OFF**, l'amplificatore viene acceso e spento manualmente tramite l'interruttore posto sul pannello frontale. Potete anche utilizzare questa modalità se state usando una presa AC comandata per alimentare l'amplificatore.
- **Con il selettore in posizione SIGNAL SENSE**, l'amplificatore si accende automaticamente quando rileva un segnale in ingresso, e si mette in modalità standby alcuni minuti dopo che il segnale non è più presente; l'interruttore sul pannello frontale annulla questa funzione, deve essere in posizione ON per poter essere attivata. Mettendo l'interruttore su OFF si toglie l'alimentazione all'amplificatore, e si annulla questa modalità.
- **Con il selettore in posizione 12V TRIG**, l'amplificatore si accende automaticamente quando rileva un segnale trigger 12V sull'ingresso 12V TRIG, posto a sinistra del selettore. L'amplificatore si mette in modalità standby se il segnale +12V non è più presente. L'interruttore sul pannello frontale annulla questa funzione, deve essere in posizione ON per poter essere attivata. Mettendo l'interruttore su OFF si toglie l'alimentazione all'amplificatore, e si annulla questa modalità.

### Ingresso TRIGGER 12V

Questo connettore può ricevere un segnale trigger 12V da un preamplificatore o da un processore surround Rotel per attivare l'accensione o lo spegnimento automatico dell'unità. Per utilizzare questa funzione, il selettore adiacente deve essere posizionato su 12V TRIG (vedi sezione precedente).

L'ingresso TRIGGER accetta qualsiasi segnale di controllo (AC o DC) da 3 a 30Volts, inviato attraverso un cavo con terminali da 3.5mm su entrambi i capi. Il segnale +12 V DC viene trasmesso dalla punta del connettore.

### Uscita TRIGGER 12V

Il connettore 12V TRIG indicato con la dicitura: OUT serve per reinviare il segnale di attivazione ad un altro amplificatore Rotel. Ogni segnale Trigger 12V presente sull'ingresso INPUT sarà inviato anche al connettore OUT.

### Interruttore di protezione

L'interruttore presente sul pannello posteriore protegge i circuiti elettrici dell'amplificatore. Generalmente, interverrà solo in caso di condizioni di guasto che possono dare luogo a sbalzi di corrente. Per ripristinarlo, premete il tasto. Se dovesse intervenire continuamente, contattate il vostro rivenditore autorizzato Rotel o un centro assistenza tecnica.

### Indicatori di protezione

Una protezione termica protegge l'amplificatore da danni conseguenti a condizioni di funzionamento estreme o inadeguate. Diversamente da altri prodotti, il circuito di protezione del RMB-1506 è indipendente dal segnale audio e non ha nessuna influenza sulle prestazioni sonore: il circuito di protezione tiene sotto controllo la temperatura degli stadi finali e disattiva l'amplificatore se la temperatura si alza oltre i limiti di sicurezza.

Inoltre l'RMB-1506 è dotato di una protezione contro gli sbalzi di corrente che interviene solo quando l'impedenza del carico si abbassa troppo.

Nel caso si verifichi una condizione di guasto, l'amplificatore smette di riprodurre il segnale ed uno o più LED di protezione sul pannello frontale si illuminano.

Se questo accade, spegnete l'amplificatore, lasciatelo raffreddare alcuni minuti, e provate ad individuare e risolvere il problema. Ci sono LED indicatori di protezione indipendenti per ogni coppia di diffusori, che possono aiutarvi ad individuare la causa del problema. Quando riaccendete l'amplificatore, il circuito di protezione si ripristinerà automaticamente ed i LED di protezione si spegneranno.

Nella maggior parte dei casi, il circuito di protezione si attiva in seguito ad un corto circuito o dei cavi dei diffusori o a causa di una ventilazione inadeguata che porta ad un surriscaldamento dell'amplificatore; in casi molto rari, può essere causato da una impedenza molto bassa o molto reattiva dei diffusori.

## Collegamenti di segnale

L'RMB-1506 è dotato di connessioni standard RCA non bilanciate, come quasi tutti i componenti audio. Inoltre dispone di una coppia di uscite SIGNAL OUTPUT LINK per inviare lo stesso segnale in ingresso ad un altro componente audio.

Visono anche unacoppia di connettori SIGNAL OUTPUT LINK per trasmettere il segnale in ingresso collegato alla coppia di canali "A" ad un altro componente audio. Inoltre, il segnale in ingresso ai diffusori "A" può essere automaticamente trasmesso agli ingressi dei canali "B" o "C", in modo che non sia necessario un altro cavo di segnale in ingresso per questi canali; come ad esempio in sistemi più complessi, dove l'RMB-1506 viene usato per pilotare più coppie di diffusori.

### Ingressi RCA

Vedi figura 2

Ci sono due ingressi RCA per ognuna delle tre coppie dei canali dell'amplificatore. Questi ingressi RCA accettano segnali audio da preamplificatori o processori surround. Raccomandiamo l'utilizzo di cavi audio di alta qualità per ottenere i migliori risultati.

Per ogni coppia di canali, collegate l'uscita del canale sinistro del vostro preamplificatore con l'ingresso LEFT INPUT del RMB-1506. Collegate l'uscita del canale destro del vostro preamplificatore con l'ingresso RIGHT INPUT del RMB-1506. Assicuratevi che il selettore INPUT SELECT sia in posizione: STEREO.



## Commutatore Mono

Quando il commutatore MONO è in posizione ON, l'ingresso del canale sinistro "A" è connesso al canale destro.

## Collegamento degli ingressi

Potete collegare gli ingressi dei gruppi "B" e/o "C" agli ingressi "A", posizionando il selettore INPUT SELECT per quel gruppo in posizione LINK. Quando sono collegati, non è necessaria nessuna connessione in ingresso per quel gruppo. Il segnale in ingresso dal gruppo "A" viene inviato ai canali collegati, permettendovi di utilizzare quattro o sei canali amplificati con lo stesso segnale stereo in ingresso.

## Controlli degli ingressi di linea

I tre controlli sul pannello frontale, uno per ogni coppia di canali, vi permettono di regolare i livelli di ingresso per equipararli agli altri componenti del sistema. Il selettore A comanda il guadagno dei canali "A", il selettore B controlla i canali "B" ed il selettore C controlla i canali "C".

Per cambiare la regolazione dei canali, agite sui controlli mediante un piccolo cacciavite a taglio; ruotate in senso orario per aumentare il guadagno, in senso antiorario per ridurlo.

## Uscita del segnale Link

Questa coppia di connettori RCA possono essere usati per inviare i segnali in ingresso ad un altro componente audio senza nessuna processazione, ad esempio per collegare in modalità "daisy-chain" un ulteriore amplificatore per pilotare un secondo set di diffusori. I segnali in ingresso collegati ai canali "A" sono disponibile anche su queste uscite LINK.

---

**Nota:** Questi segnali in ingresso dai canali "A" possono essere inviati agli ingressi "B" e/o "C" impostando il selettore INPUT SELECT sulla coppia di diffusori relativa in posizione LINK.

---

## Diffusori

L'RMB-1506 è dotato di tre coppie di connettori per i diffusori, una coppia per ogni canale.

### Scelta dei diffusori

L'impedenza nominale dei diffusori collegati al RMB-1506 dovrebbe essere almeno di 4 ohm. Quando vengono collegate in parallelo più coppie di diffusori, l'impedenza effettiva che l'amplificatore rileva è la metà, per esempio: se si collegano due coppie di diffusori da 8 ohm, l'amplificatore rileva un carico da 4 ohm. Quando pilotate più diffusori collegati in parallelo, accertatevi che abbiano una impedenza nominale di 8 ohm o superiore.

### Scelta dei cavi dei diffusori

Per collegare l'RMB-1506 ai diffusori utilizzate cavi isolati bipolari. La sezione e la qualità del cavo possono avere effetti udibili sulla qualità della riproduzione del sistema: potete utilizzare dei cavi standard per diffusori, ma potrebbero dare luogo ad una uscita di basso livello o ad una risposta alle basse frequenze inadeguata, in particolar modo con cavi molto lunghi. In generale, dei cavi di buona qualità miglioreranno il suono. Se volete ottenere le migliori prestazioni, dovrete considerare l'acquisto di cavi per diffusori di alta qualità; il vostro rivenditore Rotel potrà aiutarvi nella scelta dei cavi adatti al vostro sistema.

## Polarità e fase

La polarità, o orientamento positivo/negativo, dei collegamenti di ogni diffusore ed amplificatore deve sempre essere rispettata, in modo che tutti i diffusori siano in fase. Se la polarità di una connessione viene erroneamente invertita, la riproduzione delle basse frequenze sarà molto debole e l'immagine stereo risulterà degradata. Tutti i cavi per diffusori sono contrassegnati in modo da poterli identificare facilmente: solitamente su uno dei due cavi è presente una striscia colorata o un altro segno di riconoscimento simile; oppure, se l'isolante dei cavi è trasparente, i conduttori sono di colori diversi (uno di colore rame ed uno argento); oppure potrebbe essere indicata la polarità direttamente sull'isolante. Identificate i conduttori positivi e negativi e prestate attenzione ad ogni collegamento che effettuate sull'amplificatore e sui diffusori.

## Collegamento dei diffusori

Vedi figura 2

Le due coppie di terminali dei diffusori del RMB-1506 sono identificati con un codice a colori per ogni canale, una coppia per il diffusore sinistro ed una coppia per quello destro. Fate riferimento alle indicazioni sui connettori. I connettori dei diffusori accettano terminali di tipo "banana" (eccetto che per la Comunità Europea dove il loro uso non è consentito).

Stendete i cavi dal RMB-1506 ai diffusori. Lasciate i cavi un po' più lunghi del necessario per darvi la possibilità di spostare i componenti ed accedere ai connettori dei diffusori.

Se utilizzate connettori a banana, collegateli ai cavi e quindi inseriteli nei connettori sul pannello posteriore. Il collare a vite dei terminali deve essere avvitato completamente (in senso orario).

Se state usando terminali ad anello aperto, collegateli ai cavi. Se collegate direttamente i cavi spellati ai terminali del RMB-1506, separate i cavi se state utilizzando cavi bipolari, e quindi spellate i terminali dei cavi. Fate attenzione a non tagliare anche il cavo interno quando lo spellate. Svitare (in senso antiorario) i collari a vite. Posizionate i terminali ad anello aperto attorno al corpo del connettore, o il cavo spellato sul foro interno del connettore. Avvitare il collare in senso orario per bloccare il connettore ad anello aperto o il cavo.

---

**Nota:** Assicuratevi che eventuali fili che fuoriescono dalla parte spellata del cavo, non vadano a toccare il cavo o il connettore adiacente.

---

Per ogni gruppo di canali, collegate il diffusore sinistro con i due connettori dei diffusori contrassegnati: LEFT. Collegate il diffusore destro con i due connettori dei diffusori contrassegnati: RIGHT. Seguite le indicazioni sui connettori, ed assicuratevi di rispettare la corretta polarità: il terminale positivo del diffusore deve essere collegato al terminale + dell'amplificatore; il terminale negativo del diffusore deve essere collegato al terminale -dell'amplificatore



## Risoluzione dei problemi

La maggior parte dei problemi nei sistemi audio è dovuta a collegamenti non effettuati a dovere o sbagliati, o impostazioni di controllo errate. Se riscontrate problemi, isolate l'area interessata, verificate le impostazioni degli apparecchi, determinate la causa del problema ed apportate le necessarie correzioni. Se non siete in grado di fare funzionare il RMB-1506, prendete spunto dalle indicazioni sotto riportate:

### Il LED indicatore Power sul pannello frontale non si accende

L'amplificatore non è alimentato; assicuratevi che il cavo di alimentazione AC sia inserito correttamente nel pannello posteriore e in una presa di alimentazione funzionante. Controllate l'interruttore sul pannello frontale, assicuratevi che sia in posizione ON. Se avete abilitato la modalità di attivazione automatica con rilevamento del segnale in ingresso, assicuratevi che il segnale arrivi agli ingressi dell'amplificatore. Se avete abilitato la modalità di attivazione automatica tramite segnale Trigger 12V, assicuratevi che il segnale Trigger 12V arrivi agli ingressi Trigger +12V sul retro dell'amplificatore.

### Nessun suono

Se l'amplificatore è alimentato correttamente, ma non viene emesso nessun suono, controllate i LED indicatori di protezione: PROTECTION sul pannello frontale. Se sono accesi, andate al paragrafo successivo. Se non sono accesi, verificate tutti i collegamenti e le impostazioni dei componenti collegati al RMB-1506. Assicuratevi che le connessioni degli ingressi e dei diffusori siano adeguati alla configurazione stereo/mono selezionata.

### Nessun suono da sorgenti digitali

I LED indicatori di protezione: PROTECTION si accendono quando è intervenuto il circuito di protezione del RMB-1506. Normalmente, accade solo quando le aperture di ventilazione sono ostruite, quando c'è un errore nei collegamenti, o dopo un periodo di uso molto intenso. Spegnete l'amplificatore e lasciatelo raffreddare; quindi premete l'interruttore di accensione sul pannello frontale due volte per resettare il circuito di protezione. Se il problema non è risolto o si ripresenta immediatamente, potrebbe essere un problema interno all'amplificatore stesso.

## Caratteristiche tecniche

### Potenza di uscita continua su 8 ohm (20-20kHz, <0.03% THD)

6 x 50W/ch su 8 ohm, tutti i canali in funzione

### Potenza di uscita continua su 4 ohm (DIN 1 kHz, 1.0% THD)

6 x 80W/ch su 4 ohm, tutti i canali in funzione

### Distorsione armonica totale (20-20kHz, 8 ohm)

In regime di potenza continua: <0.03%

A metà potenza continua: <0.03%

Ad 1W di potenza: <0.03%

### Distorsione di intermodulazione (60Hz:7kHz, 4:1)

<0.03%

### Fattore di attenuazione (20Hz-20000Hz, 8 ohm)

>200

### Impedenza di ingresso

20 Kohm

### Sensibilità di ingresso

1.0 Volt

### Guadagno dell'amplificatore

26dB

### Livello di sovraccarico di ingresso

5.0 Volt

### Picco di corrente

>25 A

### Risposta in frequenza ( $\pm 1$ dB)

10 Hz – 100 kHz

### Rapporto segnale rumore (IHF pesato-A)

115 dB

### Separazione/Crosstalk

> 70dB

### Impedenza dei diffusori

Minimo 4 ohm

### Livello di segnale per l'attivazione automatica (per tutti gli ingressi)

Segnale in ingresso 1 mV

### Alimentazione (AC)

USA: 120 Volt, 60Hz

Europa: 230 Volt, 50Hz

### Consumo

450W W

Minimo: 42 W

Standby: 2.6 W

### Dimensioni (LxAxP)

431 x 144 x 424 mm

17 x 5.7 x 16.7 in

### Peso (netto)

15.3 kg / 33.75 lb.

### Altezza pannello frontale

3U, 132.6mm / 5.2 in

Tutte le caratteristiche sono esatte al momento della stampa.  
Rotel si riserva il diritto di apportare miglioramenti senza alcun preavviso.

## Viktiga säkerhetsinstruktioner

**WARNING:** Det finns inga delar inuti som kan lagas av användaren. Anlita alltid en behörig servicetekniker för all service.

**WARNING:** För att undvika risk för elektriska stötar och brand, utsätt inte apparaten för vatten eller fukt. Ställ aldrig föremål som kan läcka eller droppa vatten, till exempel blomkrukor, i närheten av apparaten. Se till att inga föremål kommer in i apparaten. Om apparaten utsätts för fukt eller väta, eller om eller om främmande föremål kommer in i den, dra omedelbart ur nätkabeln ur vägguttaget. Lämna sedan in apparaten till en behörig servicetekniker för översyn och eventuell reparation.

Läs alla instruktioner innan du ansluter eller använder apparaten.

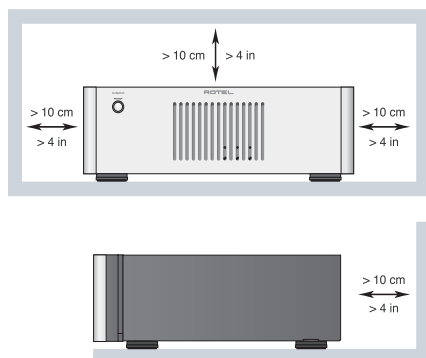
Behåll denna instruktionsbok så att du kan studera dessa säkerhetsinstruktioner.

Följ alla varningar och säkerhetsföreskrifter i instruktionsboken och på själva apparaten. Följ alltid alla användarinstruktioner.

Använd bara en torr trasa eller dammsugaren när du ska rengöra apparaten.

Använd inte den här enheten i närheten av vatten.

Se till att det alltid finns minst 10 cm fritt utrymme runt apparaten. Ställ inte apparaten på en säng, soffa, matta eller liknande yta som kan blockera ventilationshålen. Om apparaten placeras i en bokhylla eller i ett skåp, måste det finnas utrymme för god ventilation.



Placera inte apparaten nära element eller andra anordningar som alstrar värme.

**WARNING:** Huvudströmmen stängs av genom att man kopplar loss nätkabeln från anslutningen på baksidan. Apparaten måste placeras på en plats där man enkelt kommer åt kabelanslutningen.

Apparaten måste anslutas till ett vägguttag som motsvarar specifikationerna som anges på apparatens baksida. (USA: 120 V/60 Hz, Europa: 230 V/50 Hz)

Anslut endast apparaten till vägguttaget med den medföljande nätkabeln eller en exakt motsvarighet. Modifiera inte den medföljande nätkabeln. En ojordad kontakt har endast två metallstift. En jordad kontakt har även två metallbleck på varje sida. Dessa finns där för din säkerhet. Ändra inte jord eller polaritet.

Om kontakten på nätkabeln som medföljer inte passar i ditt vägguttag, anlita en elektriker för att ersätta det gamla uttaget. Använd inte någon förlängningskabel. Apparaten stängs av genom att huvudkontakten på nätkabeln kopplas ur. För att helt koppla bort strömmen från apparaten, koppla ur nätkabeln från nätspänningsuttaget. Lysdioden för vänteläge lyser inte när nätkabeln är urkopplad.

Placera ej kabeln där den kan bli skrapad, klämd, böjd, utsatt för värme eller skadad på något sätt. Var extra nog med att inte skada kabeln vid kontakterna i kabelns ändrar.

Nätkabeln ska kopplas ur vägguttaget under åskväder eller om apparaten inte ska användas under en längre tid.

Använd endast tillbehör som rekommenderas av tillverkaren.

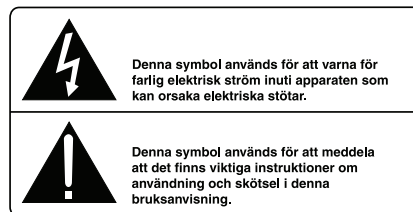
Använd endast med en bänk, ett stativ, ett rack, en konsol eller en hylla som rekommenderats av Rotel. Var försiktig när du flyttar enheten i ett stativ eller ett rack så att du inte skadar dig ifall anläggningen tipsar.



Använd klass 2-kablar till högtalaranslutningen för att minimera risken för elektriska stötar och för att se till att installationen blir säker.

Sluta omedelbart att använda apparaten och låt en behörig servicetekniker kontrollera den om

- nätkabeln eller kontakten har skadats.
- främmande föremål eller vätska har kommit in i apparaten.
- apparaten har utsatts för regn.
- apparaten visar tecken på felaktig funktion
- apparaten har tappats eller skadats på något sätt.



Rotels produkter är utformade för att följa de internationella direktiven RoHS (Restriction of Hazardous Substances) och WEEE (Waste Electrical and Electronic Equipment) som behandlar hur uttjänta och elektroniska produkter tas om hand. Symbolen med den överkorsade soptunnan innebär att produkterna måste återvinnas eller tas om hand enligt dessa direktiv.



Denna symbol betyder att apparaten är dubbelisolerad och inte behöver jordas.



## Innehåll

Figur 1: Kontroller och anslutningar	3
Figure 2: Ingång för förstärkare och högtalarutgångar	4
Viktigt	5
<b>Viktiga säkerhetsinstruktioner</b>	<b>41</b>
<b>Om Rotel</b>	<b>42</b>
<b>Introduktion</b>	<b>43</b>
Att tänka på	43
Placering	43
Fläktatts <b>4</b>	43
<b>Ström och strömfunktioner</b>	<b>43</b>
Ström <b>11</b>	43
Strömbrytare och strömindikator <b>1</b>	44
Av/På-lägen <b>6</b>	44
Ingång för 12 V-styrsignal <b>7</b>	44
Utgång för 12 V-styrsignal <b>7</b>	44
Säkringskrets <b>10</b>	44
Skyddsindikatorer <b>2</b>	44
<b>Anslutningar för insignaler</b>	<b>44</b>
RCA-ingångar <b>5</b>	44
Mono-omkopplare <b>5</b>	45
Länka insignalerna <b>5</b>	45
Justering av insignaler <b>3</b>	45
RCA-utgångar <b>6</b>	45
<b>Högtalare</b>	<b>45</b>
Val av högtalare	45
Val av högtalarkabel	45
Polaritet och fas	45
Anslutning av högtalare <b>9</b>	45
<b>Felsökning</b>	<b>46</b>
Frontpanelens strömindikator lyser inte	46
Inget ljud hörs	46
Skyddsindikatorns lampa lyser	46
<b>Specifikationer</b>	<b>46</b>

## Om Rotel

Vår historia började för nästan 50 år sedan. Genom decennierna har vi tagit emot hundratals priser för våra produkter och gjort hundratalsentals människor nöjda, människor som tar sin underhållning på allvar – precis som du!

Rotel grundades av en familj med ett passionerat intresse för musik. Detta ledde till en egen tillverkning av hifi-produkter med en kompromisslös kvalitet. Genom åren har denna passion för musik, som delas av hela Rotels personal, varit oförminskad, och målet har alltid varit att tillverka prisvärda produkter för både audiofiler och musikälskare, vilken budget de än har.

Rotels ingenjörer arbetar i team och har ett nära samarbete. Tillsammans lyssnar de på och finslipar varje produkt tills den når upp till Rotels höga krav på kvalitet. De får välja komponenter från hela världen för att göra produkterna så bra som möjligt. I apparaterna hittar du ofta allt från brittiska och tyska kondensatorer till japanska och amerikanska halvledare, samt toroidaltransformatorer som tillverkas i Rotels egen fabrik.

Vi oroar oss alla för miljön, och allteftersom fler och fler elektronikprodukter tillverkas och sedan kasseras blir det allt viktigare för tillverkare att göra allt de bara kan för att ta fram produkter som har en så liten negativ inverkan på miljön som möjligt när de slutligen hamnar på sopstationen.

Vi på Rotel är stolta över att dra vårt strå till stacken. Vi har minskat blyinnehållet i vår elektronik genom att använda en särskild RoHS-kompatibel lödmetall, samtidigt som våra nya klass D-förstärkare (ej digitala) är upp till fem gånger effektivare än våra äldre konstruktioner, samtidigt som de fortfarande levererar kraft och prestanda. Dessa produkter är svala, ger ett minimum av energiförluster och är bra för miljön – samtidigt som de ger ett bättre ljud.

Slutligen har vi tryckt den här skriften på återvunnet papper.

Vi vet att det här bara är några små första steg, men det gör dem inte mindre viktiga. Och vi strävar hela tiden efter att finna nya metoder och material som kan ge en renare och miljövänligare tillverkningsprocess.

Alla vi på Rotel tackar dig för att du har köpt den här produkten. Vi är säkra på att den kommer att ge dig många års njutning och glädje.

## Introduktion

Tack för att du köpt 6-kanalsslutsteget Rotel RMB-1506. I ett kvalitetssystem för musik eller hemmabio kommer det att ge dig många års musikalisk njutning.

RMB-1506 är ett sofistikerat slutsteg med sex kanaler. Den separat utgångsenheten, den kraftfulla strömförsörjningen med toroidal-transformator, de förstklassiga komponenterna och Rotels Balanced Design garanterar en mycket hög ljudkvalitet. Den kraftiga strömförsörjningen gör att RK-650 kan driva krävande högtalare utan problem.

### Funktioner

- 6-kanals slutsteg med en effekt på 50 watt per kanal i 8 ohm.
- Reglage för insignalernas nivåer på front-panelen.
- Flera Av/På-lägen: manuell, automatisk styrning via insignal eller via 12-volts styrsignal (trigger).
- Kan förses med fläkt för att förbättra avkylning och öka prestanda.
- Säkringskretsar med indikatorer på front-panelen skyddar mot felanvändning.
- Länkning av signaler, mono-omkopplare och anslutningar för länkning av utsignaler för maximal flexibilitet.

### Att tänka på

Läs denna instruktionsbok noggrant. Den ger dig grundläggande instruktioner om hur du installerar och använder RMB-1506 i olika anläggningar. Om du har några frågor är du alltid välkommen att kontakta din Rotel-återförsäljare. Alla vi på Rotel uppskattar dina frågor och synpunkter.

Spara kartongen och allt förpackningsmaterial till RMB-1506 för framtida behov. Att skicka eller flytta förstärkaren i en annan förpackning kan skada den allvarligt.

Spara ditt originalkvitto från köptillfället. Det är det bästa beviset för när du köpt apparaten, vilket kan vara viktigt i händelse av service- och garantianspråk.

### Placering

Ska RMB-1506 ställas på en stabil, plan yta och inte utsätts för starkt solljus, hetta, fukt eller vibrationer.

Ställ inte andra komponenter eller föremål ovanpå RMB-1506. Se till att inte apparaten utsätts för vätska.

Tänk också på förstärkarens vikt när du väljer placering. Se till att apparatens vikt kan bäras av hyllan eller bänken den ska ställas på.

RMB-1506 alstrar värme även vid normal användning. Täck inte över ventilationshålen. **Se till att det finns 10 cm fritt utrymme runt om apparaten.** Om apparaten placeras i en bokhylla eller skåp måste det finnas utrymme för god ventilation.

### Fläktsats

De stora kylflänsarna är tillräckliga för att kyla av RMB-1506 i de flesta ljudsystem. Om förstärkaren används i rack eller i trånga utrymmen, eller om den står i närheten av värmealstrande utrustning, så kan den dock behöva extra avkylning. Fläktsatsen RKBF-1 är extrautrustning och kan enkelt installeras och ge denna önskade avkylning. Förutom att sänka arbetstemperaturen så ökar fläktsatsen förstärkarens prestanda, och det gäller särskilt vid svåra högtalarlaster. Kontakta din Rotel-återförsäljare för mer information.

---

**Obs!** Den extra kylningen orsakar ett mekaniskt fläktljud. Om fläktsatsen används bör förstärkaren placeras på ett sådant sätt att fläktljudet inte hörs.

---

## Ström och strömfunktioner

### Ström

Din RMB-1506 är fabriksinställd på rätt voltal för vad som gäller i det land där du köpte den (Europa 230 V/50 Hz och USA 115 V/60 Hz). Fabriksinställningen finns utmärkt med en dekal på apparatens baksida.

RMB-1506 levereras med en strömkabel. Använd endast denna kabel eller en exakt motsvarighet. Modifiera inte strömkabeln som ingår. Använd inte någon förlängningskabel.

Försäkra dig om att huvudströmbrytaren på förstärkarens frontpanel är avslagen. Anslut sedan strömkabeln till kontakten på förstärkarens baksida och sedan till vägguttaget.

Om du kommer att vara bortrest en längre tid är det en lämplig försiktighetsåtgärd att dra ut förstärkarens strömkabel ur vägguttaget.

## Strömbrytare och strömindikator

Strömbrytaren sitter på din förstärkares front. Tryck in strömbrytaren för att slå på förstärkaren. Ringen kring brytarknappen börjar då lysa, vilket talar om att förstärkaren är påslagen. Slå av förstärkaren genom att trycka på strömbrytaren en gång till och därmed trycka ut den.

## Av/På-lägen

RMB-1506 kan slås på och stängas av på tre olika sätt. Dessalägen väljs genom att använda brytaren på baksidan på följande sätt:

- **Med brytaren i läge "OFF":** Förstärkaren slås på och av med strömbrytaren på förstärkarens front. Använd även detta läge om du slår på och av förstärkaren genom att bryta strömmen från vägguttaget.
- **Med brytaren i läge "SIGNAL SENSE":** Förstärkaren slås på automatiskt när det kommer en insignal. Förstärkaren återgår till viloläge ett par minuter efter det att insignalerna upphör. Strömbrytaren på fronten fungerar fortfarande och måste vara i läge "ON" för att signalavkänningen ska fungera. Om strömbrytaren står i läge "OFF" är förstärkaren avslagen, oavsett om den får någon signal eller inte.
- **Med brytaren i läge "12V TRIG":** Förstärkaren slås på automatiskt av en 12-volts styrsignal i ingången till vänster om brytaren på baksidan. Förstärkaren återgår till viloläge om den inte får någon styrsignal. Strömbrytaren på fronten fungerar fortfarande och måste vara i läge "ON" för att signalavkänningen ska fungera. Om strömbrytaren står i läge "OFF" är förstärkaren avslagen, oavsett om den får någon signal eller inte.

## Ingång för 12 V-styrsignal

Ingången märkt "12V TRIG IN" används för att ansluta en 12-volts styrsignal från en Rotel förförstärkare eller surroundprocessor, som sedan styr om förstärkaren ska slås på eller av. För att använda denna funktion måste brytaren till höger stå i vänstra läget (se föregående stycke).

TRIGGER INPUT-ingången kan ta emot en signal (likström eller växelström) som ligger mellan 3 volt och 30 volt via en kabel som har 3,5-millimeters minijack-pluggar. Styrsignalen överförs i pluggens yttersta del.

## Utgång för 12 V-styrsignal

Utgången som är märkt "12V TRIG OUT" används för att "länka" vidare en 12-voltssignal till en annan Rotel-förstärkare. Denna utsignal är bara tillgänglig om det finns en insignal ansluten till "12V TRIG IN"-ingången.

## Säkringskrets

Förstärkarens elektriska kretsar skyddas av en 16-amperes säkring på baksidan. Säkringen löses i normala fall bara ut när ett fel uppstår som gör att förstärkaren drar för mycket ström. Du kan återställa säkringen genom att trycka på knappen. Om säkringen löser ut flera gånger kontaktar du din Rotel-återförsäljare och får hjälp med felsökning.

## Skyddsindikatorer

RMB-1506 skyddas av skydds- och värmekretsar mot extrem eller felaktig användning. Till skillnad från liknande konstruktioner är skyddskretsarna inte beroende av ljudsignalen och påverkar därför inte ljudkvaliteten. Skyddskretsarna känner i stället av temperaturen på utgångsenheterna och stänger av slutsteget om den blir för hög.

Förstärkaren har även ett skydd mot överbelastning som aktiveras om impedanslasten sjunker för mycket.

Om något fel skulle uppstå slutar förstärkaren spela och en eller flera "PROTECTION" lampor på frontpanelen tänds. Om detta händer stänger du av förstärkaren och låter den kylas av i ett par minuter. Försök sedan att lokalisera felet och rätta till det. När du sedan sätter på förstärkaren igen nollställs skyddskretsarna och skyddsindikatorerna på frontpanelen bör slockna.

I de flesta fall aktiveras skyddskretsarna bara om något fel har uppstått. Detta kan till exempel vara en kortsluten högtalarkabel eller otillräcklig ventilation som orsakar överhettning. I mycket sällsynta fall kan skyddskretsarna även aktiveras av högtalare med extremt låg impedans.

## Anslutningar för insignaler

RMB-1506 har anslutningar för vanliga, obalanserade RCA-kontakter. Det är en typ av kontakter som används i nästan all audioutrustning.

Det finns också en uppsättning "SIGNAL OUTPUT LINK"-utgångar som överför insignalen till de båda "A"-kanalerna till andra apparater. Insignalen till de båda "A"-kanalerna kan länkas automatiskt till "B" och/eller "C"-kanalerna så att det inte behövs någon separat signalkabel till dessa i stora anläggningar där RMB-1506 används för att driva flera par högtalare med samma stereosignal.

## RCA-ingångar

Se figur 2.

Det finns två RCA-ingångar för vart och ett av de tre paren förstärkarkanaler. Dessa tar emot signaler från en förförstärkare eller surroundprocessor. Använd signalkablar av hög kvalitet för högsta prestanda.

För varje par kanaler ansluter du signalen från vänster kanal på förförstärkaren till "LEFT"-ingången på RMB-1506, och signalen från höger kanal till "RIGHT"-ingången. Se till att omkopplaren till höger om RCA-ingångarna står i "STEREO"-läget.

## Mono-omkopplare

När omkopplaren MONO står i ON-läget ansluts vänster kanals insignal "A" till den högra kanalen.

## Länka insignalerna

Du kan länka insignalerna till grupp "B" och/ eller "C" till "A"-insignalerna genom att ställa omkopplaren till höger om varje par insignaler till "LINK"-läget. Du behöver sedan inte förse kanalerna med signaler via någon signalkabel. Insignalen till grupp "A"-ingångarna överförs till de länkade kanalerna så att du kan använda fyra eller sex förstärkarkanaler med samma stereosignal.

## Justering av insignaler

Du kan ställa in nivån på insignalen med de tre reglagen på frontpanelen. Med hjälp av dessa kan du justera förstärkningen så att den passar till andra komponenter i anläggningen. "A"-reglaget styr de båda "A"-kanalerna, "B"-reglaget styr de båda "B"-kanalerna och "C"-reglaget styr de båda "C"-kanalerna.

Använd en liten skruvmejsel för att ställa in reglagen. Skruva medsols för att höja nivån och motsols för att sänka nivån.

## RCA-utgångar

"SIGNAL OUTPUT LINK"-utgången kan användas för att överföra insignalerna till "A" ingångarna vidare till annan utrustning, till exempel om du vill använda flera slutsteg för att driva många högtalare. Du ansluter i så fall RMB-1506 till ett annat slutsteg med hjälp av en signalkabel med RCA-kontakter.

---

**Obs!** Insignalerna från "A"-kanalerna kan även länkas till "B"-och/ eller "C"-kanalerna genom att sätta "INPUT SELECT"-omkopplarna till "LINK"-läget.

---

## Högtalare

RMB-1506 har tre uppsättningar högtalarterminaler, en för varje par högtalarkanaler.

### Val av högtalare

Den nominella impedansen på högtalarna som är anslutna till varje kanal på RMB-1506 får inte understiga 4 ohm. Om du ansluter flera par högtalare parallellt så halveras impedansen. Två högtalarpar med en impedans på 8 ohm vardera innebär till exempel att förstärkaren får en last på 4 ohm. Använd alltid högtalare med en nominell impedans på 8 ohm eller högre om du vill ansluta två högtalarpar parallellt.

### Val av högtalarkabel

Använd en skärmad och tvåledad högtalarkabel för att ansluta dina högtalare till RMB-1506. Högtalarkabelns storlek och kvalitet påverkar anläggningens ljudkvalitet. En standardkabel kan fungera, men kan också minska utsignalens styrka och dämpa basåtergivningen, särskilt i anläggningar med långa kablar. Rent allmänt fungerar grövre kablar bäst. För bästa resultat bör du överväga att skaffa högtalarkablar av hög kvalitet. Din Rotel-återförsäljare kan hjälpa dig att välja rätt kablar till din anläggning.

### Polaritet och fas

När du ansluter högtalarkablarna måste du se till att polariteten blir rätt. Plus- och minusledarna måste sitta på rätt ställe på alla förstärkare och högtalare. Om polariteten i någon anslutning av misstag blir omvänd, minskas basåtergivningen och stereoperspektivet försämras. Alla kablar är märkta så att du kan se vilken ledare som är vilken – det kan till exempel finnas en färgmarkering eller en fasad kant på den ena ledaren, eller så kan kabeln vara genomskinlig och ha olika färger på själva ledarna (koppar och silver). Var konsekvent när du ansluter kablarna och använd alltid samma markering för polaritet både på högtalarna och på förstärkaren.

### Anslutning av högtalare

Se figur 2.

RMB-1506 har ett par färgkodade anslutningar för varje grupp av förstärkarkanaler, en för den vänstra och en för den högra högtalaren. Övanför varje anslutning visas hur kablarna ska kopplas in. Högtalarterminalerna tar emot avskalad kabel samt banan- eller spadkontakter (utom i EU, där banankontakter inte är tillåtna).

Dra kablarna från förstärkaren till högtalarna. Se till att kabeln är tillräckligt lång för att du ska kunna flytta komponenterna och komma åt anslutningarna på baksidan.

Om du använder banankontakter skruvar du på dem på högtalarkabeln och pluggar in dem i högtalarterminalerna. Terminalhylsorna ska vara helt inskruvade (medsols). Om du använder spadkontakter fäster du dem på ledarna och om du använder avskalad kabel direkt i högtalarterminalerna så separerar du ledarna och skalar av isoleringen. Var noga med att du inte skalar av själva koppartrådarna. Skruva sedan upp terminalhylsan (motsols) och anslut spadkontakten runt terminalen eller trä den skalade kabeln genom terminalen. Skruva sedan fast terminalhylsan ordentligt.

---

**Obs!** Se till att det finns några lösa kabeltrådar som kan komma i kontakt med intilliggande kablar.

---

Anslut den vänstra högtalaren till högtalarterminalerna som är märkta "LEFT" och den högra högtalaren till terminalerna som är märkta "RIGHT". Upprepa detta för varje par högtalare som ansluts. Var noga med att kabelns positiva ledare ansluts till förstärkarens terminal som är märkt "+" och att den negativa ledaren ansluts till terminalen som är märkt "-".

## Felsökning

De flesta problem som kan uppstå i en anläggning beror på felaktiga anslutningar eller inställningar. Om du stöter på problem försöker du lokalisera felet och kontrollerar dina anslutningar. Försök hitta orsaken till felet och gör sedan de ändringar som behövs. Om du inte får något ljud ur RMB-1506 så kommer här ett par förslag på vad du kan göra:

### Frontpanelens strömindikator lyser inte

RMB-1506 har inte någon ström. Kontrollera strömkabeln och alla anslutningar. Kontrollera strömbrytaren på frontpanelen och se till att den står i läge "ON". Om du använder automatisk påslagning kontrollerar du att det kommer en insignal till förstärkaren. Om du använder automatiska styr signaler så kontrollerar du att det finns en styrkabel till "12V TRIG IN"-ingången på baksidan.

### Inget ljud hörs

Om slutsteget får ström men inte ger ifrån sig något ljud kontrollerar du "PROTECTION"-lamporna på frontpanelen. Om de lyser läser du mer i nästa stycke. Om de inte lyser kontrollerar du alla anslutningar och inställningar på övriga komponenter i anläggningen.

### Skyddsindikatorns lampa lyser

Frontpanelens skyddsindikatorer ("PROTECTION") lyser när skyddskretsarna har stängts av slutsteget. Detta händer i normala fall bara om ventilationshålen är blockerade, om du använder en felaktig högtalarkabel eller om slutsteget har använts extremt mycket. Stäng av slutsteget och låt det kyla av ett tag. Tryck sedan in och ut på strömbrytaren för att "nollställa" skyddskretsarna. Om felet inte rättas till beror det på något fel i anläggningen eller i själva slutsteget.

## Specifikationer

### Kontinuerlig effekt i 8 ohm (20–20 000 Hz, <math><0,03\% THD</math>)

6 x 50 watt i 8 ohm, alla kanalerna drivna

### Kontinuerlig effekt i 4 ohm (DIN 1 kHz, 1,0 % THD)

6 x 80 watt i 4 ohm, alla kanalerna drivna

### Total harmonisk förvrängning (20–20 000 Hz, 8 ohm)

Kontinuerlig effekt: <math><0,03\%</math>

Halv effekt: <math><0,03\%</math>

1 watt: <math><0,03\%</math>

### Intermodulationsförvrängning (60 Hz:7 kHz, 4:1)

<math><0,03\%</math>

### Dämpfaktor (20–20 000 Hz, 8 ohm)

> 200

### Ingångsimpedans

20 kohm

### Ingångskänslighet

1,0 volt

### Förstärkning (gain)

26 dB

### Överlastnivå

5,0 volt

### Max strömstyrka

> 25 A

### Frekvensomfång ( $\pm 1$ dB)

10–100 000 kHz

### Signal/brus-förhållande (IHF A)

115 dB

### Kanalseparation

> 70 dB

### Högtalarimpedans

4 ohm minimum

### Nivå för automatisk påslagning (alla insignaler)

1 mV

### Strömförsörjning

Europa: 230 Volt, 50 Hz

USA: 120 Volt, 60 Hz

### Strömförbrukning

450 watt

Tomgång: 42 watt

Viloläge: 2,6 watt

### Mått (B x H x D)

431 x 144 x 424 mm

### Vikt

15,3 kg

### Frontpanelens höjd

132,6 mm (3U)

Alla specifikationer är korrekta vid tryckningen.

Rotel reserverar sig rätten att göra framtida förbättringar utan vidare meddelande.



## Важные инструкции по безопасности

**ПРЕДОСТЕРЕЖЕНИЕ:** Внутри нет частей, доступных для обслуживания пользователю. Доверьте обслуживание квалифицированному мастеру.

**ПРЕДОСТЕРЕЖЕНИЕ:** Для снижения опасности возгорания или поражения электрическим током не подвергайте данный аппарат воздействию дождя или влаги. Не допускайте попадания посторонних предметов внутрь корпуса. Если внутрь корпуса попала влага или посторонний предмет, немедленно выньте вилку шнура питания из розетки. Доставьте аппарат к квалифицированному специалисту для осмотра и возможного ремонта.

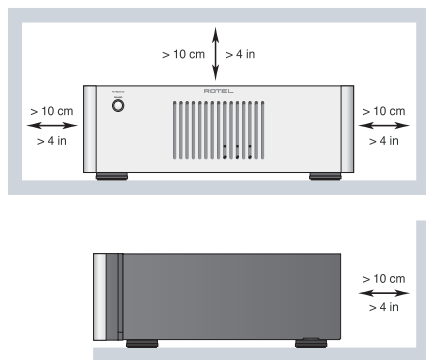
Прежде чем подсоединять аппарат и управлять им, прочтите все инструкции. Сохраните руководство по эксплуатации для дальнейшего использования.

Обращайте внимание на предостережения, указанные на корпусе аппарата и в данном руководстве. Управляйте аппаратом в соответствии с инструкциями.

Производите очистку корпуса только сухой тканью или пылесосом.

Не используйте это устройство вблизи воды.

Оставьте не менее 10 см свободного пространства вокруг аппарата для обеспечения циркуляции воздуха.



Не ставьте аппарат на кровать, диван, ковер или подобную мягкую поверхность, которая может загородить вентиляционные отверстия. Если аппарат встраивается в шкаф или другой корпус, этот корпус должен вентилироваться для обеспечения охлаждения аппарата.

Держите аппарат подальше от радиаторов отопления, обогревателей, печей и любых других устройств, выделяющих тепло.

**ПРЕДОСТЕРЕЖЕНИЕ:** Сетевой разъем на задней панели предназначен для быстрого отсоединения устройства от электрической сети. Устройство должно обеспечивать свободный доступ к задней панели, чтобы сетевой кабель можно было быстро выдернуть.

Сетевое напряжение, к которому подсоединяется аппарат, должно соответствовать требованиям, указанным на задней панели аппарата. (США: 120 В, 60 Гц, ЕС 230 В, 50 Гц)

Подсоединяйте компонент к питающей розетке только при помощи сетевого шнура из комплекта поставки, или его точного эквивалента. Не переделывайте поставляемый шнур. Поляризованный штекер имеет два ножевых контакта, один из которых шире другого. Заземляющий штекер имеет два ножевых контакта и третий заземляющий штырь. Они обеспечивают вашу безопасность. Не отказывайтесь от мер безопасности, предоставляемых заземляющим или поляризованным штекером. Если поставляемый штекер не подходит к вашей розетке, обратитесь к электрику для замены устаревшей розетки. Не используйте удлинители сетевого питания.

Основной штекер сетевого шнура является отключаемым от аппарата. Для полного отключения изделия от питающей сети, основной штекер сетевого кабеля следует отсоединить от сетевой розетки переменного тока. Светодиодный индикатор ждущего режима LED не будет гореть, показывая, что сетевой шнур отключен.

Не прокладывайте сетевой шнур там, где он может быть раздавлен, пережат, скручен, подвергнут воздействию тепла или поврежден каким-либо способом. Обращайте особое внимание на сетевой шнур вблизи штекера и там, где он входит в заднюю панель устройства.

Сетевой шнур следует отсоединять от стенной розетки во время грозы или если прибор оставлен неиспользуемым длительное время.

Используйте только принадлежности, указанные производителем.

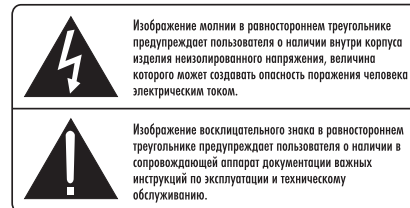
Используйте только тележку,ставку, стойку, кронштейн или полку системы, рекомендованной компанией Rotel. Будьте осторожны при перемещении прибора на подставке или стойке во избежание ранения от опрокидывания.



Используйте кабели с защитой Class 2 при подсоединении колонок к клеммам усилителя для обеспечения надежной изоляции и минимизации риска удара электричеством.

Немедленно прекратите использование компонента и передайте на обследование и/или обслуживание квалифицированной ремонтной организацией если:

- Сетевой шнур или штекер был поврежден.
- Внутри прибора уронили предметы или пролили жидкость.
- Прибор побывал под дождем.
- Прибор демонстрирует признаки ненормальной работы.
- Прибор уронили или повредили любым другим способом.



Продукты Rotel спроектированы так, чтобы соответствовать требованиям международных директив по ограничению применения вредных веществ в электротехническом и электронном оборудовании (Restriction of Hazardous Substances - RoHS), также по обращению с отслужившим свой срок электротехническим и электронным оборудованием (Waste Electrical and Electronic Equipment - WEEE). Изображение перечеркнутого мусорного бачка на колесах означает также то, что эти продукты должны быть вторично использованы (рециклированы) или же обработаны в соответствии с упомянутыми выше директивами.



Этот символ означает, что устройство имеет двойную изоляцию. Заземление не требуется.



## Содержание

Рис. 1: Органы управления и разъемы	3
Рис. 2: Подключение	4
Перед подсоединением	5
<b>Важные инструкции по безопасности</b>	<b>47</b>
<b>Содержание</b>	<b>48</b>
<b>О компании ROTEL</b>	<b>48</b>
<b>Ввод в эксплуатацию</b>	<b>48</b>
Примечание: Основные характеристики	48
Некоторые меры предосторожности	49
Размещение	49
Набор для установки дополнительного вентилятора <b>4</b>	49
<b>Подключение сети переменного тока и управление питанием</b>	<b>49</b>
Вход сети переменного тока <b>11</b>	49
Выключатель питания и индикатор питания <b>1</b>	49
Переключатель режима автоматического включения/выключения <b>6</b>	49
Вход 12V Trigger <b>7</b>	50
Выход 12V TRIGGER <b>7</b>	50
Устройство отключения <b>10</b>	50
Индикаторы защиты <b>2</b>	50
<b>Разъемы для сигналов</b>	<b>50</b>
Входы RCA <b>5</b>	50
Переключатель MONO <b>5</b>	50
Сопряжение входов <b>5</b>	50
Управление входным уровнем <b>3</b>	50
Ответвление выходного сигнала <b>6</b>	51
<b>Громкоговорители</b>	<b>51</b>
Выбор громкоговорителя	51
Выбор акустического кабеля	51
Полярность и фазировка	51
Присоединение громкоговорителей <b>9</b>	51
<b>Возможные неисправности</b>	<b>52</b>
Индикатор питания на передней панели не светится	52
Нет звука	52
Индикатор защиты светится	52
<b>Технические характеристики</b>	<b>52</b>

## О компании ROTEL

История нашей компании началась почти 50 лет назад. За прошедшие десятилетия мы получили сотни наград за наши продукты и сделали счастливыми сотни тысяч людей, которые относятся к своим развлечениям вполне серьезно – так же, как вы!

Компания Rotel была основана семейством, чья страсть к музыке породила стремление создавать hi-fi компоненты бескомпромиссного качества. За многие годы эта страсть ничуть не ослабла, и по сей день общая цель – выпускать продукты исключительной ценности для аудиофилов и любителей музыки, независимо от их финансовых возможностей, разделяется всеми сотрудниками Rotel.

Инженеры Rotel работают как единая команда, прослушивая и тщательно доводя каждый новый продукт до такого уровня совершенства, когда он будет удовлетворять их строгим музыкальным стандартам. Им предоставлена свобода выбора комплектующих по всему миру, чтобы сделать аппарат как можно лучше. Вероятно, вы сможете найти в наших аппаратах отборные конденсаторы из Великобритании и Германии, полупроводники из Японии и США, однако тороидальные силовые трансформаторы мы изготавливаем на собственном заводе ROTEL.

Все мы заботимся об охране окружающей среды. По мере того, как все больше электронных устройств в мире выпускается, а после окончания срока службы выбрасывается, для производителя особенно важно при конструировании продуктов сделать все возможное, чтобы они наносили минимальный ущерб земле и источникам воды.

Мы в компании Rotel, гордимся своим вкладом в общее дело. Во-первых, мы сократили содержание свинца в своей электронике, за счет использования припоя, отвечающего требованиям ROHS, во-вторых, наши новые усилители, работающие в классе D, имеют в пять раз более высокий к.п.д., чем предыдущие разработки, при одинаковой выходной мощности и качестве звучания. Подобные продукты практически не выделяют тепла, не растрачивают попусту энергию, хороши с точки зрения охраны окружающей среды и вдобавок лучше звучат.

Наконец, даже эту инструкцию мы отпечатали на бумаге, полученной из вторичных ресурсов.

Мы понимаем, что это маленькие шаги вперед, но они очень важны. Ведь мы продолжаем поиски новых методов и материалов для более чистых и дружелюбных к окружающей среде технологических процессов.

Все мы, сотрудники компании ROTEL, благодарим Вас за покупку этого изделия. Мы уверены, что оно доставит вам много лет удовольствия.

## Ввод в эксплуатацию

Благодарим вас за приобретение 6-канального усилителя мощности Rotel RMB-1506. При использовании в высококачественной системе для воспроизведения музыки или домашнего кинотеатра, ваш усилитель ROTEL обеспечит годы удовольствия от прослушивания.

RMB-1506 является сложным 6-канальным усилителем мощности. Дискретные выходные транзисторы, солидный источник питания с тороидальным трансформатором, отборные комплектующие и сбалансированная конструкция ROTEL обеспечивают превосходное качество звучания. Способность RMB-1506 отдавать большой ток позволяет ему легко справляться с «трудными» нагрузками в виде громкоговорителей.

### Примечание: Основные характеристики

- Шестиканальный усилитель мощности, 50 Вт на канал при нагрузке 8 Ом;
- На передней панели расположены регуляторы входного уровня, которые можно сконфигурировать тремя способами;
- Конфигурация включения/выключения питания по выбору пользователя: ручное, автоматическое при обнаружении сигнала, дистанционное 12-вольтовым пусковым сигналом;
- Предусмотрена установка дополнительного охлаждающего вентилятора для условий эксплуатации с повышенным тепловыделением и повышения параметров;
- Схема защиты от короткого замыкания с индикаторами на передней панели.

## Некоторые меры предосторожности

Пожалуйста, прочитайте данное Руководство внимательно. Кроме основных наставлений по установке и эксплуатации, оно содержит полезную информацию о различных конфигурациях системы на основе RMB-1506, а также информацию общего характера, которая поможет вам добиться оптимального качества звучания от вашей системы. Пожалуйста, обращайтесь к вашему авторизованному дилеру ROTEL за ответами на любые вопросы, которые могут возникнуть. Кроме того, любой сотрудник ROTEL с удовольствием примет ваши вопросы и комментарии.

Сохраните транспортную картонную коробку и все вложенные упаковочные материалы для дальнейшего использования. Транспортирование или перемещение RMB-1506 в любой таре и упаковке, кроме оригинальной, может привести к серьезному повреждению вашего усилителя.

Сохраните чек о продаже. Он является наилучшей регистрацией даты приобретения, которая будет востребована в случае гарантийного обслуживания, если оно когда-либо понадобится.

## Размещение

Данный усилитель может быть установлен в стандартную стойку для оборудования или на твердую поверхность.

Если стойка не используется, установите RMB-1506 на твердую, горизонтальную поверхность вдали от солнечного света, источников тепла, влаги или вибрации. Не ставьте другие компоненты или предметы на верхнюю крышку RMB-1506. Не допускайте попадания любой жидкости внутрь прибора.

Также помните о весе усилителя при выборе места для его размещения. Убедитесь, что полка или шкаф могут выдержать значительную нагрузку.

RMB-1506 выделяет тепло при нормальной работе. Не загромождайте вентиляционные отверстия. **Оставляйте не менее 10 см свободного пространства вокруг прибора.** При установке в шкаф, убедитесь, что там существует необходимая вентиляция.

## Набор для установки дополнительного вентилятора 4

Большие теплоотводы RMB-1506 обеспечивают необходимое охлаждение для большинства применений. Однако при монтаже в стойке или расположении усилителя в ограниченном пространстве вблизи других тепло выделяющих компонентов, дополнительное охлаждение может быть желательным. Набор для установки дополнительного вентилятора RKBF-1 (поставляется отдельно) можно легко смонтировать для дополнительного принудительного охлаждения. Кроме снижения рабочей температуры, он улучшает параметры усилителя, особенно при работе на нагрузку в виде «сложных» громкоговорителей. Обратитесь к вашему дилеру ROTEL за информацией о наборе для установки дополнительного вентилятора.

**Примечание :** Дополнительный набор для охлаждения производит механический шум во время работы. При использовании принудительного охлаждения, располагайте усилитель в местах, где шум не будет навязчивым.

## Подключение сети переменного тока и управление питанием

### Вход сети переменного тока 11

Ваш усилитель RMB-1506 предустановлен на стандарт сетевого напряжения в стране, где он приобретен (230 В/50 Гц). Этот стандарт указан в наклейке на задней панели.

RMB-1506 поставляется с надлежащим сетевым кабелем. Используйте только этот кабель или его точный эквивалент. Не переделывайте комплектный кабель. Не используйте сетевой удлинитель.

Убедитесь, что сетевой выключатель на передней панели RMB-1506 выключен. Затем, вставьте разъем на одном конце сетевого кабеля в гнездо на задней панели усилителя. Вставьте вилку на другом конце сетевого шнура в соответствующую стенную розетку переменного тока.

Если вы уезжаете из дома на длительное время, в качестве разумной предосторожности, отключите ваш усилитель от сети.

### Выключатель питания и индикатор питания 1

Выключатель питания находится на передней панели вашего усилителя. Чтобы включить усилитель, нажмите кнопку выключателя питания. Загорится кольцо вокруг выключателя, означая, что усилитель включен. Чтобы выключить усилитель, снова нажмите эту кнопку и верните ее в исходное положение.

### Переключатель режима автоматического включения/выключения 6

RMB-1506 обеспечивает три различных возможности для ручного или автоматического включения/ выключения питания. Эти режимы выбираются при помощи трехпозиционного движкового переключателя на задней панели:

- **Когда данный переключатель находится в положении OFF,** усилитель включают и выключают вручную при помощи кнопки на передней панели. Этот режим также используйте, если ваша розетка переменного тока снабжена выключателем для управления подачей питания на усилитель;
- **Когда переключатель находится в положении SIGNAL SENSE,** усилитель включается автоматически при обнаружении сигнала на входах. Усилитель перейдет в ждущий режим через несколько минут после исчезновения сигнала. Кнопка на передней панели блокирует эту функцию. Она должна быть в положении ON, чтобы схема обнаружения сигнала работала. Переключение кнопки в положение OFF отключает питание от усилителя, независимо от того, присутствует сигнал или нет;
- **Когда переключатель находится в положении 12V TRIG,** усилитель включается автоматически при появлении 12-вольтового сигнала на входе 12V TRIG слева от переключателя. Усилитель переходит в ждущий режим, если 12-вольтовый сигнал отсутствует. Кнопка POWER SWITCH на передней панели блокирует эту функцию. Она должна находиться в положении ON, чтобы 12-вольтовый запускающий сигнал работал. Переключение кнопки в положение OFF отключает питание от усилителя, независимо от того, присутствует запускающий сигнал или нет.

### Вход 12V Trigger

Входное гнездо для присоединения кабеля, несущего 12-вольтовый запускающий сигнал от предварительного усилителя ROTEL или процессора окружающего звука, предназначенного для включения и выключения усилителя. Чтобы реализовать эту функцию, соседний движковый переключатель должен находиться в левом положении (см. предыдущий раздел).

Запускающий вход TRIGGER INPUT принимает любой управляющий сигнал (переменного или постоянного тока) в диапазоне от 3 до 30 вольт. Использует кабель с монофоническими 3,5-мм «миниджеками» с обоих концов. Сигнал +12 В появляется на «кончике» разъема.

### Выход 12V TRIGGER

Гнездо, обозначенное 12V TRIG OUT, используется для пропускания дистанционного сигнала включения на второй усилитель ROTEL. Любой запускающий сигнал 12 В на входном гнезде будет передан на выходное гнездо.

### Устройство отключения

Сетевой предохранитель на задней панели защищает электрические схемы усилителя. В общем случае, размыкатель цепи сработает только при неисправном состоянии, которое приводит к избыточному потреблению тока. Если он постоянно размыкается, обратитесь к вашему авторизованному дилеру ROTEL за поддержкой в диагностике неисправности.

### Индикаторы защиты

Схемы тепловой защиты предотвращают потенциальное повреждение усилителя в случае экстремальных ситуаций или состоянии отказа. В отличие от многих других усилителей, схема защиты RMB-1506 не зависит от звукового сигнала и не влияет на качество звуковоспроизведения. Вместо этого, схема защиты отслеживает температуры выходных транзисторов и отключает усилитель, если они превышают безопасные пределы.

Кроме того, RMB-1506 снабжен защитой от превышения тока, которая срабатывает только если импеданс нагрузки становится слишком низким.

При наступлении отказа, усилитель остановит воспроизведение, и один или более светодиодов PROTECTION LEDS загорятся на передней панели.

Если это произойдет, выключите усилитель, дайте ему остыть несколько минут и попытайтесь обнаружить и исправить проблему. Для каждой пары каналов существуют свои индикаторы, которые могут помочь в определении причины неисправности. Когда вы включаете усилитель снова, схема защиты автоматически сбрасывается и индикаторы гаснут.

В большинстве случаев, схема защиты активируется в результате неисправности, такой как короткое замыкание в акустическом кабеле или недостаточная вентиляция. В очень редких случаях, срабатывание схемы защиты может обусловить высокая реактивность или чрезвычайно низкий импеданс громкоговорителя нагрузки.

## Разъемы для сигналов

RMB-1506 обеспечивает стандартные, общепотребительные входные разъемы – несимметричные типа RCA, какие можно найти почти во всем звуковом оборудовании.

Существует также пара разъемов SIGNAL OUTPUT LINK для передачи входного сигнала, подключенного к паре каналов «А», на другое звуковое оборудование. Дополнительно, входной сигнал пары каналов «А» может быть автоматически присоединен к входам каналов «В» и/или «С» так, чтобы для этих каналов не требовался отдельный входной кабель, например, в большой системе, где RMB-1506 используется для работы с несколькими громкоговорителями.

### Входы RCA

См. рисунок 2

Для каждой из трех пар каналов усилителя существуют два входа RCA. Эти входы принимают звуковые сигналы от предварительных усилителей или процессоров окружающего звука. Для обеспечения наилучших параметров, используйте звуковые межблочные кабели высокого качества.

Для каждой пары каналов усилителя, присоедините выход левого канала вашего предварительного усилителя к входу LEFT INPUT усилителя RMB-1506. Выход правого канала предварительного усилителя присоедините к входу RIGHT INPUT. Обеспечьте, чтобы переключатель INPUT SELECT находился в положении STEREO.

### Переключатель в режим Mono

Когда переключатель MONO находится в положении ON, вход «А» левого канала соединен с правым каналом.

### Сопряжение входов

Вы можете присоединить входы для группы «В» и/или «С» к входам «А», передвинув переключатель INPUT SELECT для этой группы в положение LINK. В этом положении, для данной группы не требуется входное соединение. Входной сигнал группы «А» передается на сопряженную пару каналов, позволяя вам использовать четыре или шесть каналов усилителя с одним источником входного стерео сигнала.

### Управление входным уровнем

Подстройку входного уровня обеспечивают три органа управления на передней панели – по одному для каждой пары каналов. Они позволяют вам отрегулировать коэффициент передачи усилителя, чтобы он соответствовал другим компонентам данной системы. Регулятор уровня каналов «А» изменяет коэффициент передачи каналов «А»; «В» изменяет коэффициент передачи каналов «В»; «С» – каналов «С».

Для подстройки используйте небольшую отвертку с плоским шлицом. Поверните регулятор по часовой стрелке для увеличения коэффициента передачи. Поверните регулятор против часовой стрелки для уменьшения коэффициента передачи.

### Ответвление выходного сигнала

Пара разъемов RCA может быть использована для передачи необработанных входных сигналов на другой звуковой компонент, например, для каскадирования дополнительного усилителя, работающего на второй комплект громкоговорителей. Входные сигналы, присоединенные к каналам «А», доступны также для передачи на эти выходы LINK.

---

**Примечание:** Эти входные сигналы от каналов «А» можно также присоединить к входам «В» и/или «С» при помощи переключателя INPUT SELECT, связанного с данной парой каналов в положении LINK.

---

## Громкоговорители

Усилитель мощности RMB-1506 имеет три группы разъемов для громкоговорителей, по одной для каждой пары каналов усилителя.

### Выбор громкоговорителя

Номинальное входное сопротивление громкоговорителя (громкоговорителей), присоединенного к RMB-1506, не должно быть меньше 4 Ом. Когда несколько пар громкоговорителей соединены параллельно, действительное сопротивление нагрузки, которое «ощущает» усилитель, уменьшается наполовину. Например, при работе на две пары 8-омных громкоговорителей, усилитель ощущает нагрузку 4 Ом. Когда работают несколько громкоговорителей в параллель, выбирайте громкоговорители с номинальным сопротивлением 8 Ом или выше.

### Выбор акустического кабеля

Используйте изолированный двухпроводной скрученный кабель для присоединения RMB-1506 к громкоговорителям. Размер и качество провода имеют слышимое влияние на параметры системы. Стандартный акустический кабель будет работать, но может привести к снижению громкости или ослаблению низких частот, особенно на больших расстояниях. В общем случае, более толстый кабель улучшает звучание. Для наилучших параметров, вы можете применить специальные акустические кабели высокого качества. Ваш авторизованный дилер ROTEL может помочь вам в выборе соответствующих кабелей для вашей системы.

### Полярность и фазировка

Полярность или положительная/отрицательная ориентация соединений для каждого громкоговорителя должны быть согласованы, чтобы все громкоговорители были в фазе. Если полярность одного соединения по ошибке сделана обратной, звучание низких частот будет очень слабым, а стереокартина деградирует. Все акустические кабели промаркированы, чтобы вы могли отличить два проводника. Это может быть полоса или рифление на изоляции одного проводника. Кабель может иметь прозрачную изоляцию с проводниками разного цвета (медный и серебряный). Это могут быть и метки полярности, напечатанные на изоляции. Определите положительный и отрицательный проводники и согласуйте с каждым разъемом громкоговорителя и усилителя.

### Присоединение громкоговорителей

См. рисунок 2

Усилитель мощности RMB-1506 имеет три пары разъемов с цветовой маркировкой для каждой группы каналов усилителя, одна пара – для левого громкоговорителя, другая пара – для правого. Названия над разъемами показывают надлежащие разъемы для присоединения громкоговорителей. Эти разъемы принимают зачищенный провод, наконечники типа «лопатка» или «банан» (за исключением европейских стран, где их применение запрещено).

Проложите провода от RMB-1506 к громкоговорителям. Оставьте для себя достаточный запас, чтобы иметь возможность перемещения компонентов с целью доступа к разъемам громкоговорителей.

Если вы применяете штекеры – «бананы», присоедините их к проводам и затем вставьте в разъемы громкоговорителей. Зажимные втулки разъемов громкоговорителей должны быть завинчены на всю длину (по часовой стрелке).

Если вы используете «лопатки», смонтируйте их на провода. Если вы присоединяете зачищенные кабели непосредственно к разъемам громкоговорителей, отделите проводники и снимите изоляцию с конца каждого провода. Будьте внимательны, чтобы не повредить токопроводящие жилы. Отвинтите (против часовой стрелки) зажимную втулку разъема громкоговорителя. Расположите наконечник вокруг оси втулки, или просуньте оголенный провод в отверстие в оси. Заверните втулку по часовой стрелке, чтобы надежно зафиксировать наконечник или провод.

---

**Примечание:** Обеспечьте, чтобы отдельные жилы провода не могли касаться соседних проводов или разъемов.

---

Для каждой группы каналов, присоедините левый громкоговоритель к паре разъемов с обозначением LEFT. Подключите правый громкоговоритель к разъемам с маркировкой RIGHT. Следуйте обозначениям, напечатанным на разъемах. Обеспечьте, чтобы положительный вывод громкоговорителя был присоединен к плюсовому выводу усилителя. Обеспечьте, чтобы отрицательный вывод громкоговорителя был присоединен к минусовому выводу усилителя.

## Возможные неисправности

Большинство трудностей в звуковых системах являются результатом плохих или неверных соединений, или неправильных настроек. Если вы столкнулись с проблемами, изолируйте область их возникновения, проверьте настройки, определите причину неисправности и сделайте необходимые изменения. Если вы не можете добиться звука от RMB-1506, обратитесь к советам для следующих ситуаций:

### Индикатор питания на передней панели не светится

На усилитель не подается питание. Проверьте сетевые разъемы на усилителе и в розетке. Проверьте выключатель питания на передней панели. Убедитесь, что он находится в положении ON. Если используется автоматическое включение при обнаружении сигнала, обеспечьте, чтобы на входах присутствовал сигнал. Если используется включение 12-вольтовым запускающим сигналом, убедитесь, что запускающий сигнал присутствует в гнезде на задней панели.

### Нет звука

Если на усилитель подается сетевое напряжение, но звук не воспроизводится, проверьте индикаторы защиты PROTECTION INDICATORS на передней панели. Если они светятся, переходите к следующему разделу. Если нет, проверьте все ваши соединения и органы управления на присоединенных к усилителю компонентах.

### Индикатор защиты светится

Индикаторы защиты на передней панели RMB-1506 светятся, когда схемы защиты отключили усилитель. Обычно, это происходит, когда вентиляционные отверстия закрыты, когда присоединен неисправный громкоговоритель или после периода работы на максимальной мощности. Выключите систему и подождите, чтобы усилитель остыл. Затем нажмите и отожмите кнопку включения питания на передней панели, чтобы сбросить приборы защиты. Если проблема не устранена или проявляется снова, значит, отказала ваша система или сам усилитель.

## Технические характеристики

### Продолжительная выходная мощность на нагрузке 8 Ом

(20 Гц – 20 кГц, общие гармонические искажения менее 0,03%)

6 x 50 Вт, все каналы нагружены на 8 Ом

### Продолжительная выходная мощность на нагрузке 4 Ом

(DIN 1 кГц, общие гармонические искажения 1%)

6 x 80 Вт, все каналы нагружены на 4 Ом

### Общие гармонические искажения (20 Гц – 20 кГц, 8 Ом)

Продолжительная паспортная мощность: < 0,03%

1/2 паспортной мощности: < 0,03%

Выходная мощность 1 Вт: < 0,03%

### Интермодуляционные искажения (60 Гц: 7 кГц, 4:1)

менее 0,03%

### Фактор демпфирования (20 Гц – 20 кГц, 8 Ом)

более 200

### Входное сопротивление

20 кОм

### Входная чувствительность

1,0 В

### Коэффициент передачи усилителя

26 дБ

### Уровень перегрузки по входу

5,0 В

### Пиковый ток

более 25 А

### Диапазон рабочих частот ( $\pm 1$ дБ)

10 Гц – 100 кГц

### Отношение сигнал/шум (А-взвешенное, IHF)

115 дБ

### Разделение между каналами

более 70 дБ

### Сопротивление громкоговорителя

минимально 4 Ом

### Уровень автоматического включения (со всех входов)

входной сигнал 1 мВ

### Напряжение питания

США: 120 В/60 Гц

Европа: 230 В/50 Гц

### Потребляемая мощность

450 Вт

На холостом ходу: 42 Вт

В ждущем режиме: 2,6 Вт

### Габаритные размеры (Ш/В/Г)

431 x 144 x 424 мм

17" x 5,7" x 16,7"

### Вес (нетто)

15,3 кг

33,75 ф

### Высота панели

3U

132,6 мм

5,2"

Все технические характеристики соответствуют действительности на дату издания. Компания Rotel оставляет за собой право модернизировать изделия без предварительного уведомления.





# ROTEL®

## **The Rotel Co. Ltd.**

10-10 Shinsen-Cho  
Shibuya-Ku  
Tokyo 150-0045  
Japan

## **Rotel of America**

54 Concord Street  
North Reading, MA 01864-2699  
USA  
Phone: +1 978-664-3820  
Fax: +1 978-664-4109

## **Rotel Europe**

Dale Road  
Worthing, West Sussex BN11 2BH  
England  
Phone: + 44 (0)1903 221 761  
Fax: +44 (0)1903 221 525

## **Rotel Deutschland**

Vertrieb: B&W Group Germany GmbH  
Kleine Heide 12  
D-33790 Halle/Westf., Deutschland  
Tel.: 05201 / 87170  
Fax: 05201 / 73370  
E-Mail: [info@bwgroup.de](mailto:info@bwgroup.de)  
[www.rotel-hifi.de](http://www.rotel-hifi.de)

**[www.rotel.com](http://www.rotel.com)**