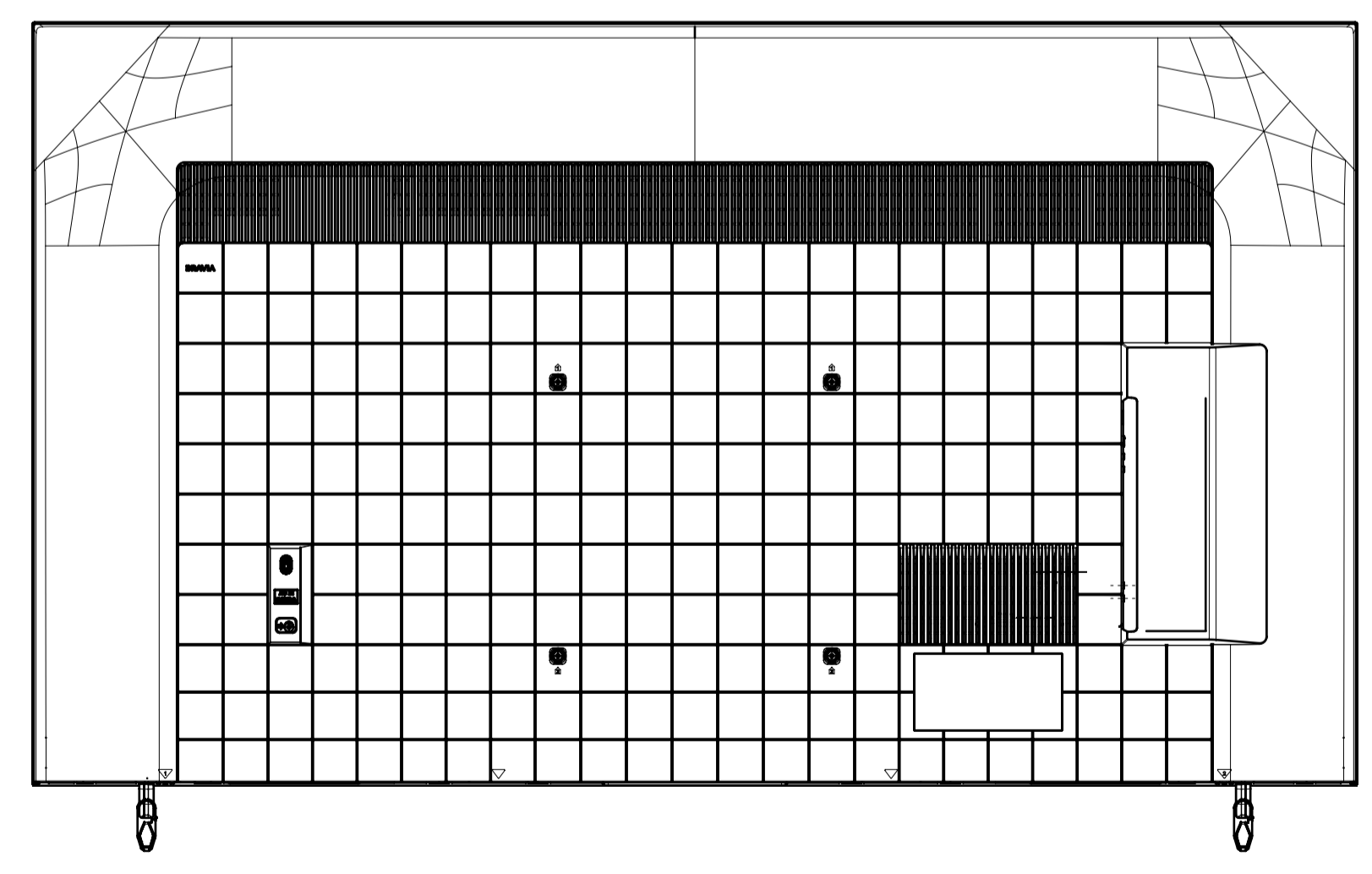
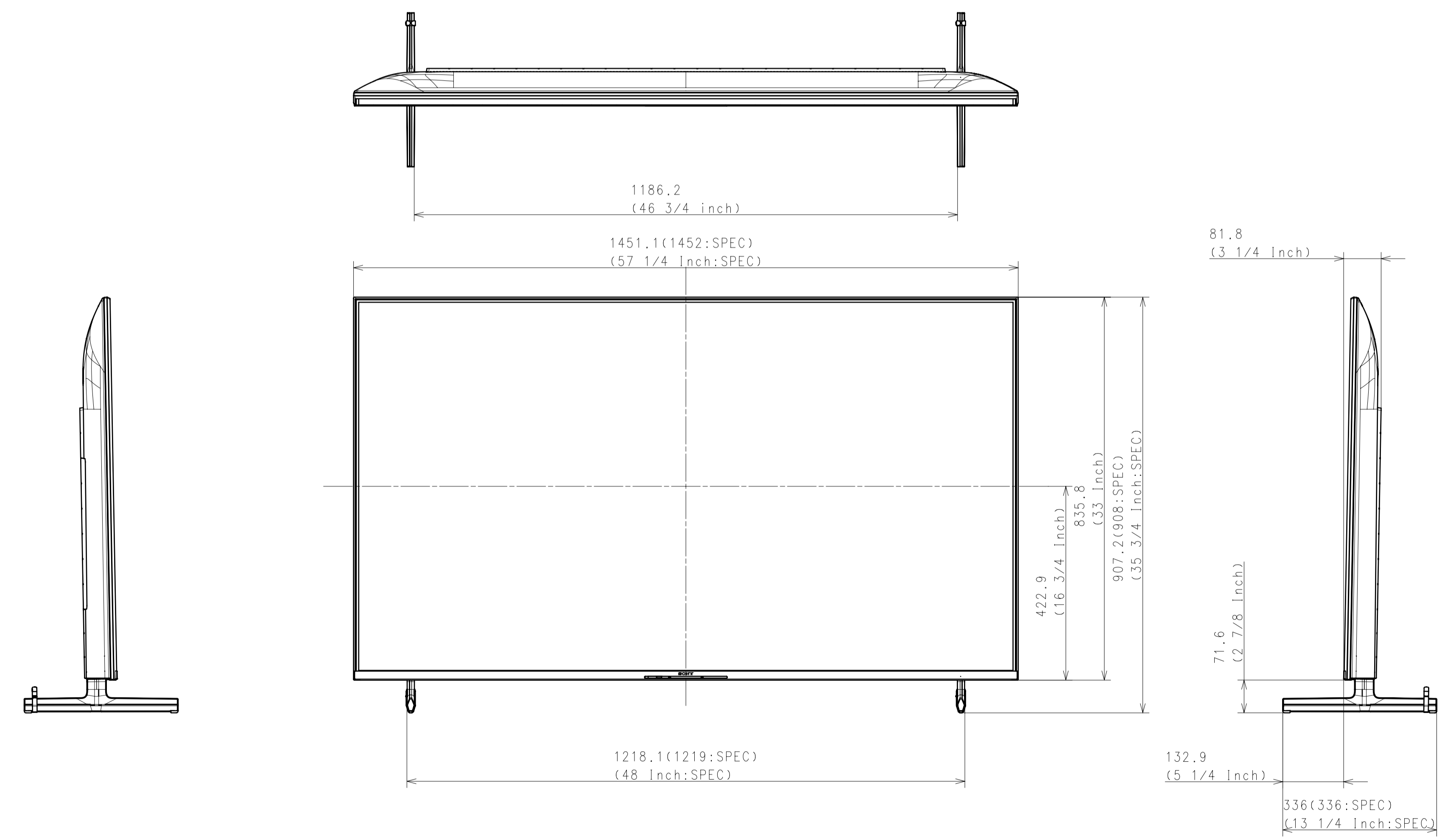


Area	JAPAN	EUROPE	GENERAL AREA	CHINA
Model Name	KJ-65X80L	KD-65X80L	KD-65X80L	KD-65X80L
SV No.	SV-41307	SV-41263	SV-41111	SV-41219
DIMENSION	TV only (W x H x D)	145.2 x 83.6 x 7.2 cm	Approx. 145.2 x 83.6 x 7.2 cm	Approx. 145.2 x 83.6 x 7.2 mm
	TV only with camera (W x H x D)	-	-	-
	TV with Stand (Standard position) (W x H x D)	145.2 x 90.8 x 33.6 cm	Approx. 145.2 x 90.8 x 33.6 cm	Approx. 145.2 x 90.8 x 33.6 mm
	TV with Stand (Narrow position) (W x H x D)	-	Approx. 145.2 x 90.8 x 33.6 cm	-
	TV with Stand (Soundbar position) (W x H x D)	-	-	-
	TV with Stand (Front position style) (W x H x D)	-	-	-
	TV with Stand (Back position style) (W x H x D)	-	-	-
	TV with Floor Stand (W x H x D)	-	-	-
	Stand Width (Standard position)	121.9 cm	Approx. 121.9 cm	Approx. 1219 mm
	Stand Width (Narrow position)	-	Approx. 48.9 cm	-
	Stand Width (Soundbar position)	-	-	-
	Stand Width (Front position style)	-	-	-
	Stand Width (Back position style)	-	-	-
Floor Stand Width	-	-	-	
VESA Hole Pitch	30.0 x 30.0 cm	30.0 x 30.0 cm	300 x 300 mm	300 x 300 mm
WEIGHT	TV Only	21.7 kg	Approx. 21.7 kg	Approx. 21.7 kg
	TV with Stand (Standard position)	22.8 kg	Approx. 22.8 kg	Approx. 22.8 kg
	TV with Stand (Narrow position)	-	Approx. 22.8 kg	-
	TV with Stand (Soundbar position)	-	-	-
	TV with Stand (Front/Back position style)	-	-	-
	TV with Floor Stand	-	-	-
	Floor Stand weight (Supply)	-	-	-
Remarks		2way		

WITH STAND

MAIN STAND (STANDARD POSITION)
KJ-65X80L (JAPAN) AND
KD-65X80L (EUROPE, GENERAL AREA, CHINA)

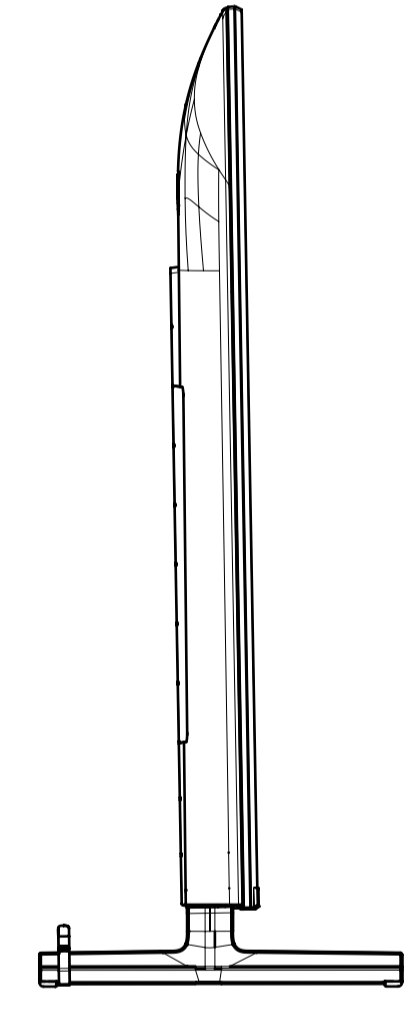
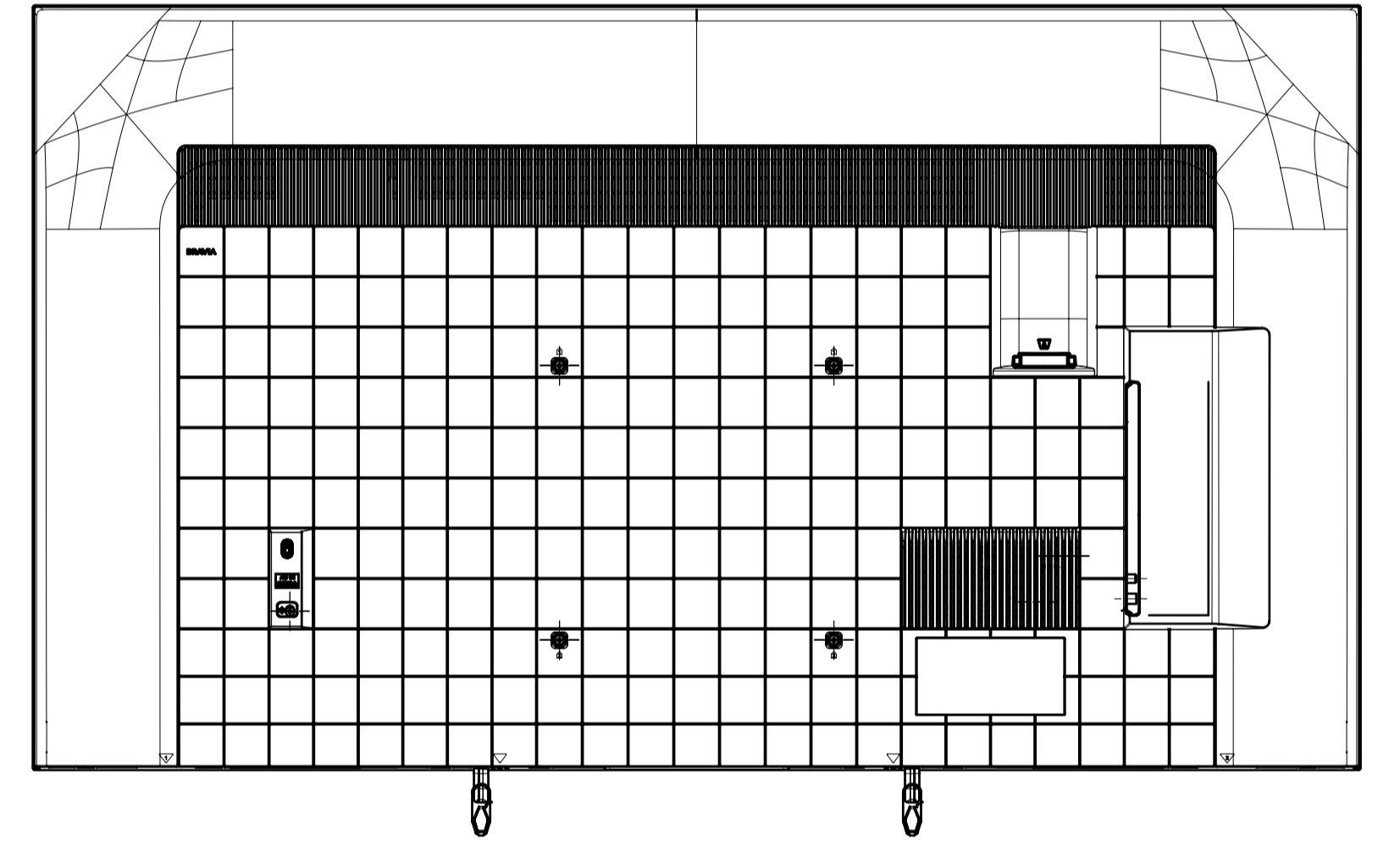
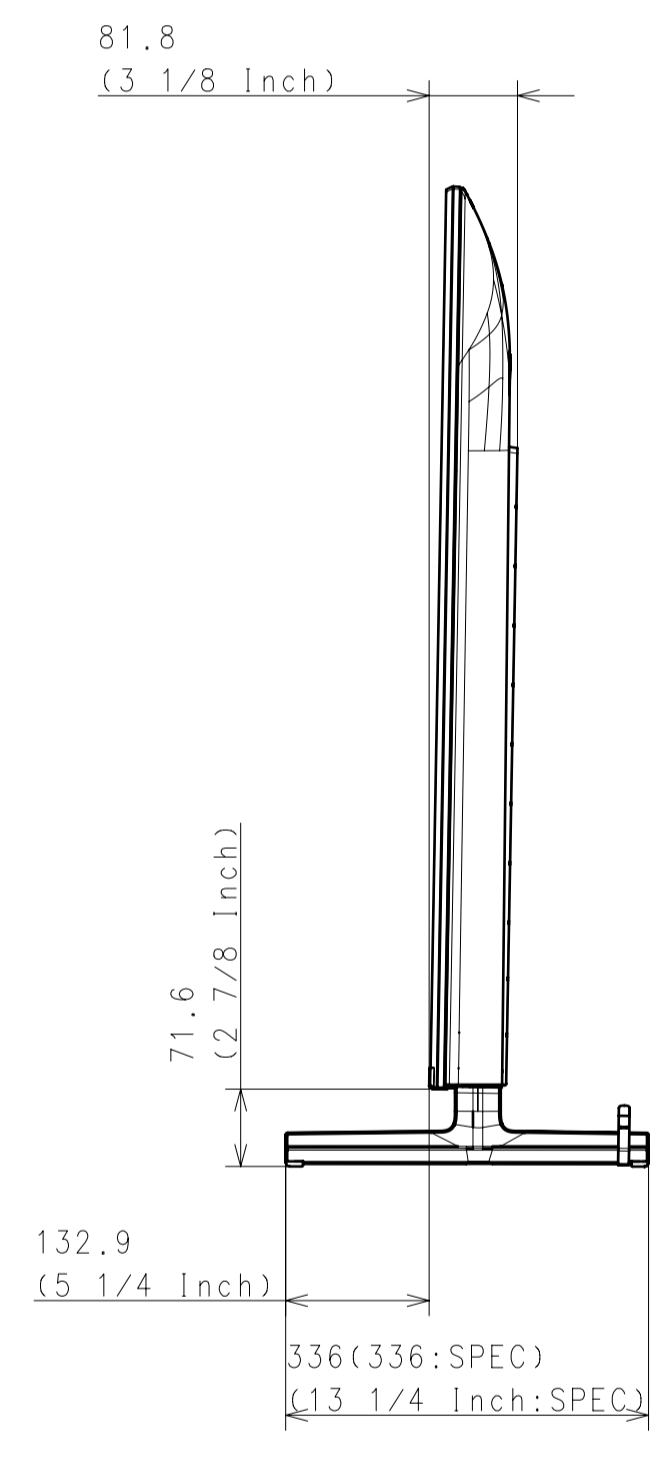
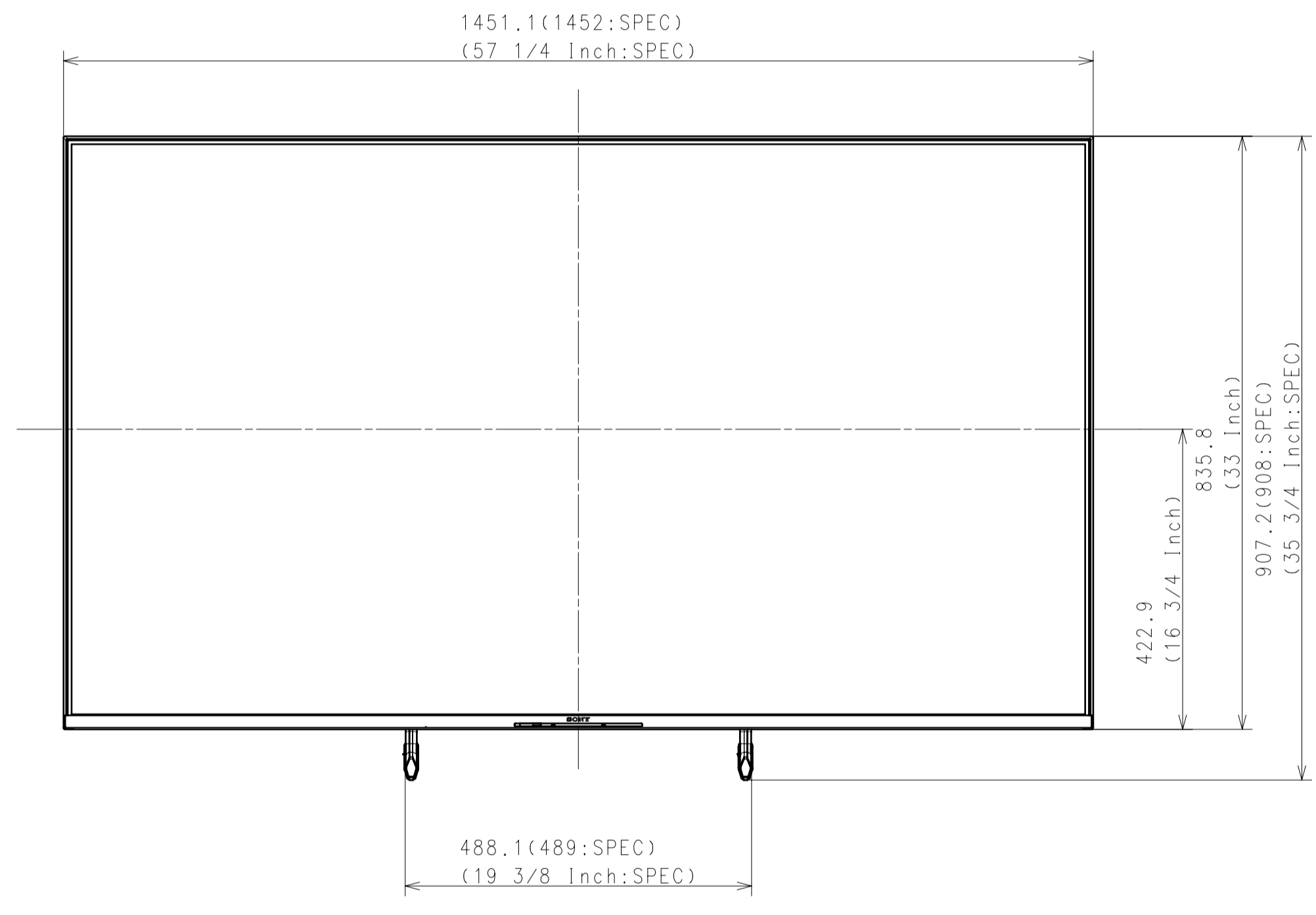
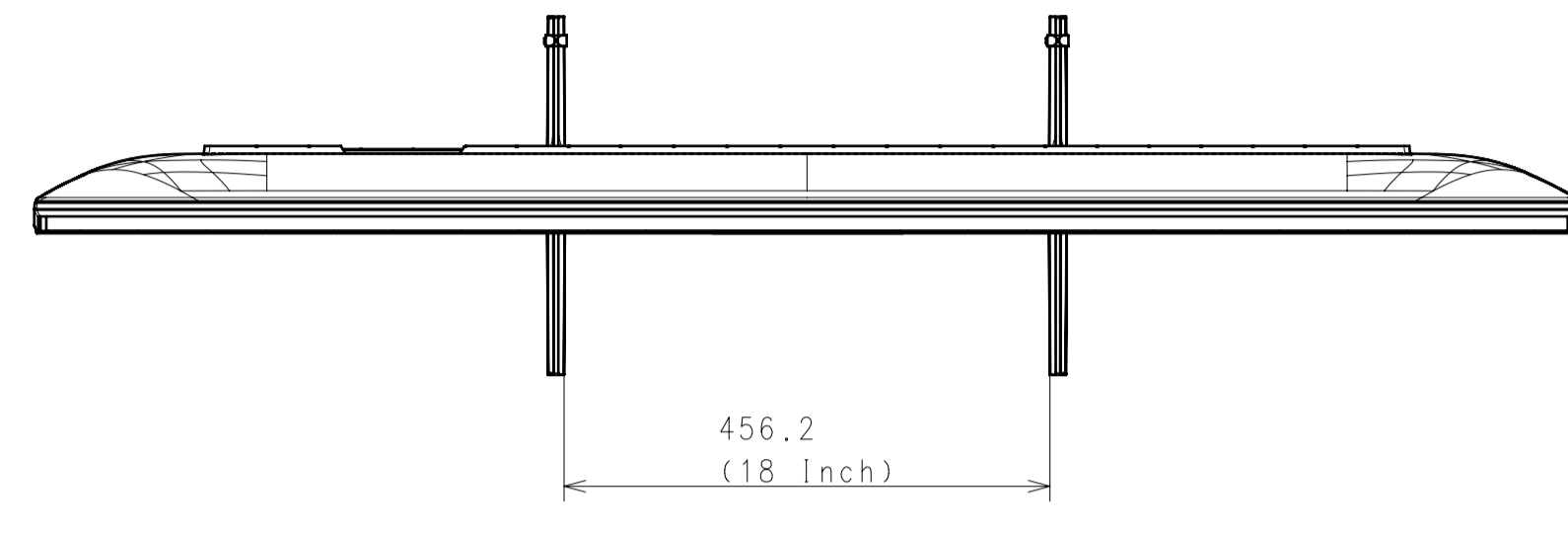


Purchase recycled resins and wire rods only from the business partners that Sony approves as Green Partners.
再生樹脂・鋼線鋼材はグリーンパートナー認定者からの調達を要します。

DATE OF ISSUE	2022.10.09
RESPONSIBLE DEPARTMENT	PLANE & MECHANICAL DESIGN
PLANNED BY	2022.10.09
DESIGNED BY	2022.10.09
DRAWN BY	2022.10.09
CHECKED BY	
APPROVED BY	
SCALE	1:7
TENTATIVE MODEL	65 (X80L) EXTERIOR VIEW
DESCRIPTION	65 (X80L) EXTERIOR VIEW
SIZE	A1
UNIT	mm
PAGE NO.	1 / 5
SUFFIX	
REV. NO.	
SHEET/PAGES	1 / 5

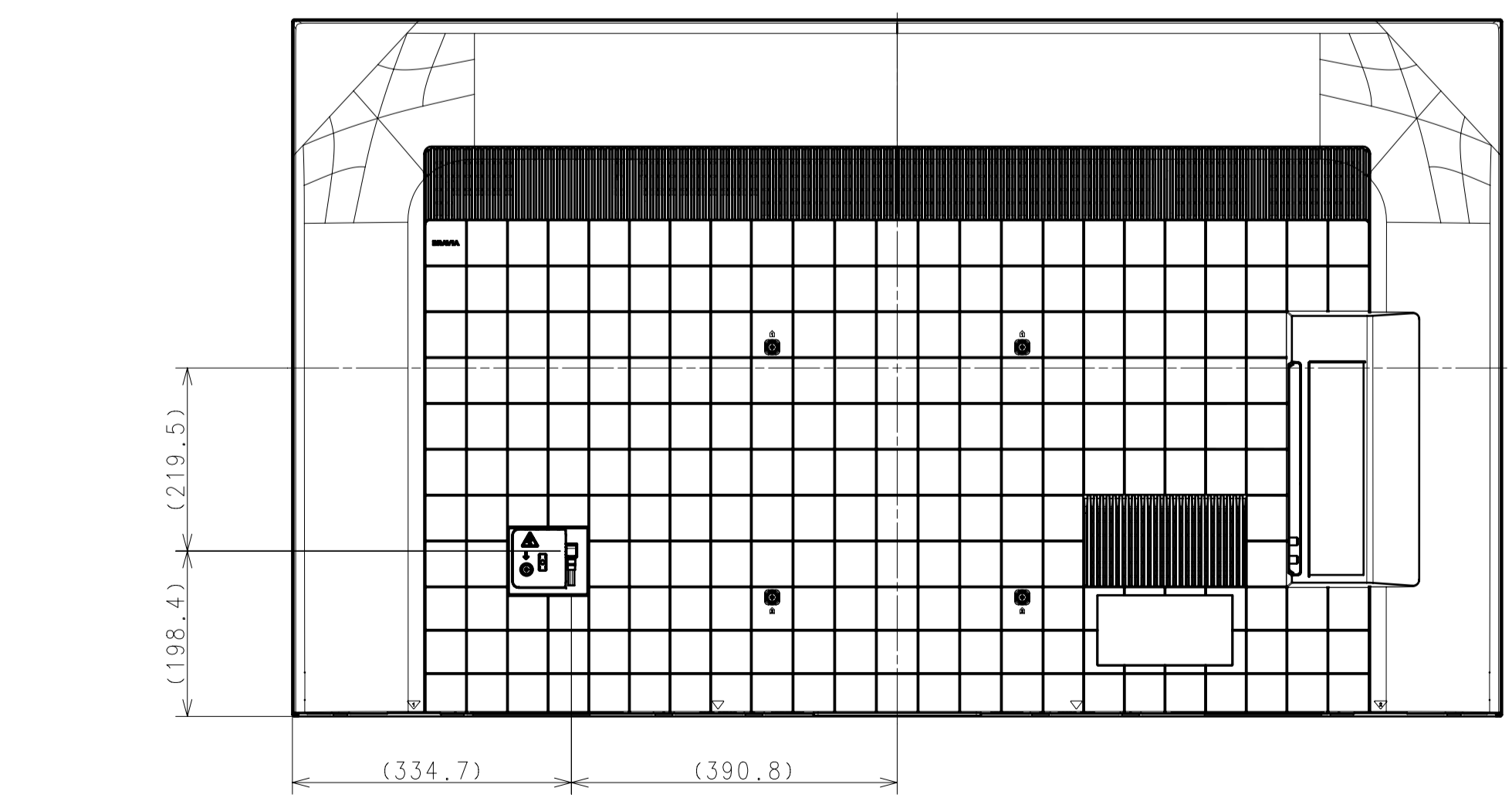
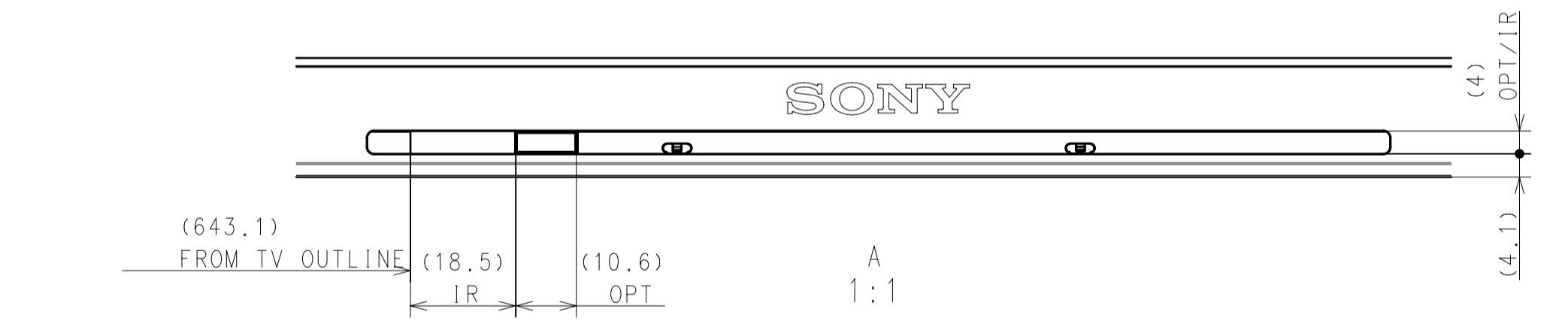
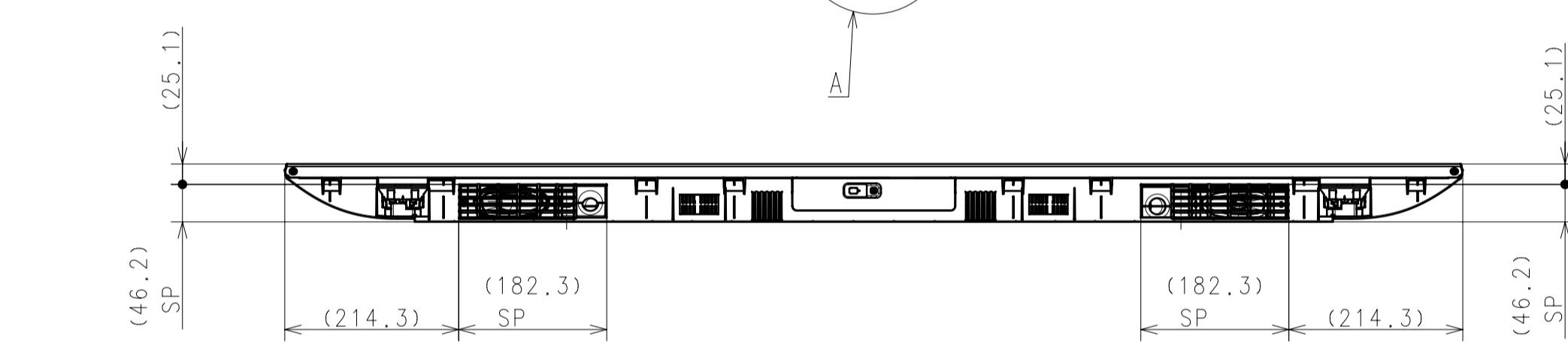
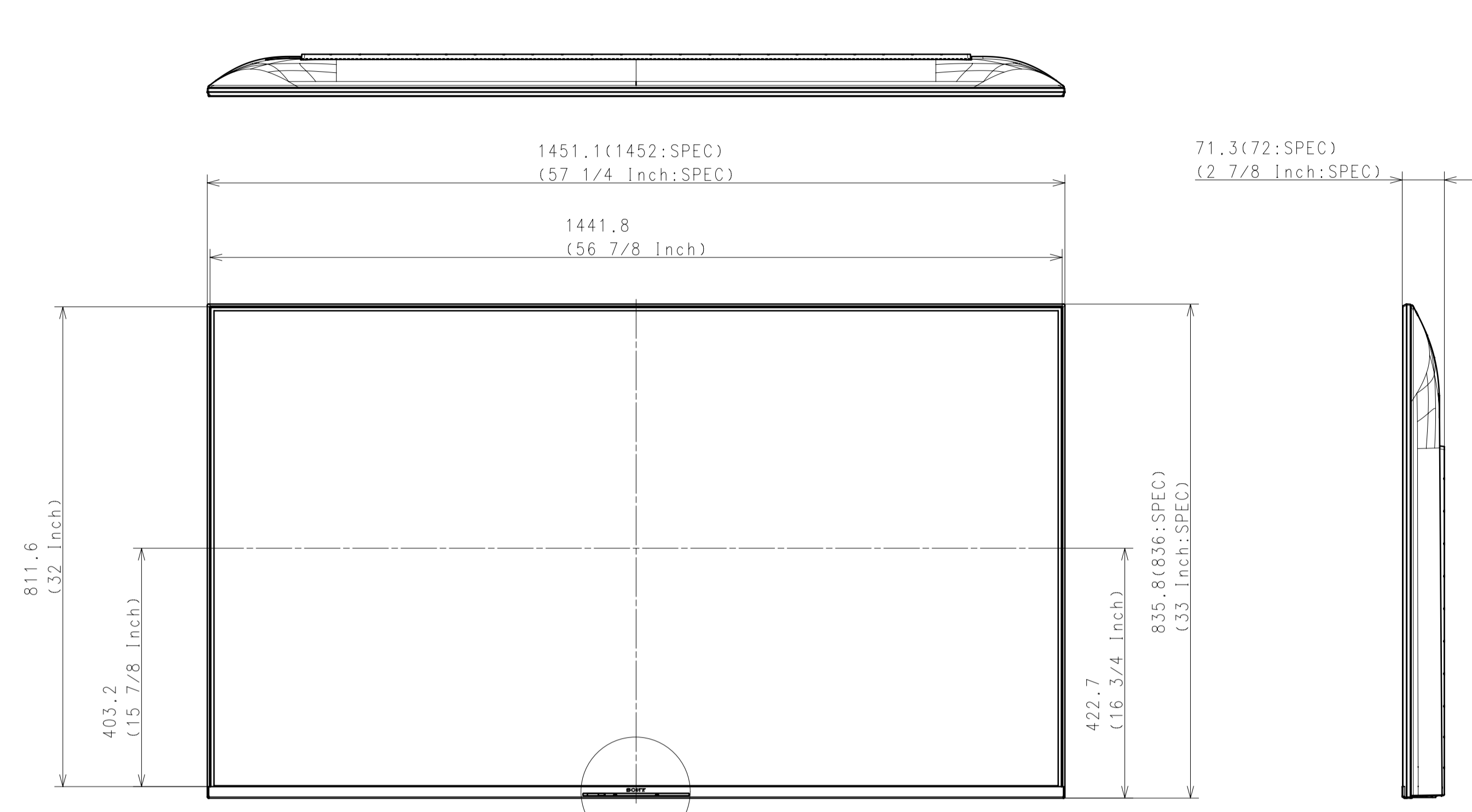
WITH STAND

NARROW POSITION
KD-65X80L
(EUROPE Model only)

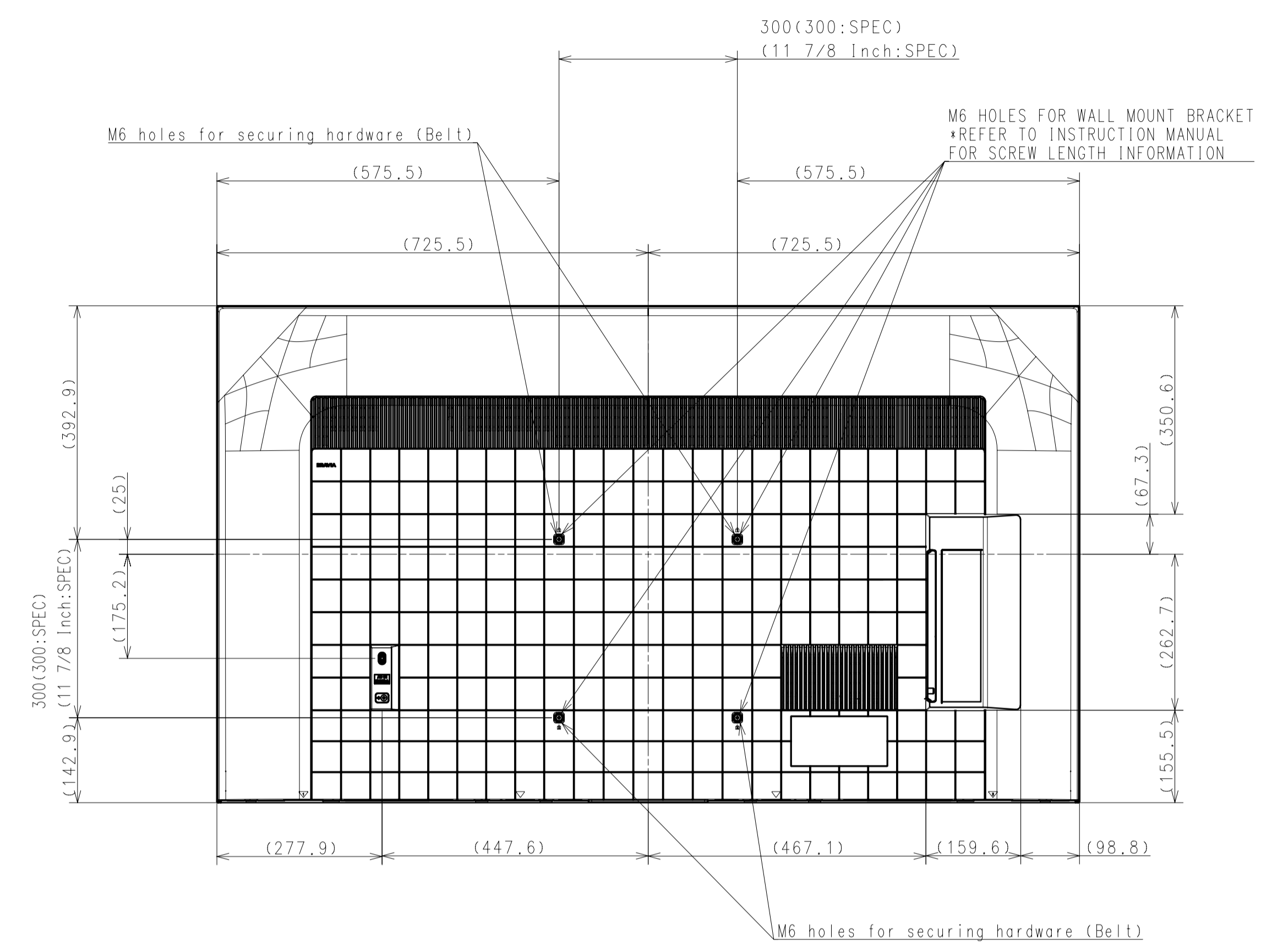


DESCRIPTION 1	LEGAL OWNER	SCALE
65 (X80L) EXTERIOR VIEW	Sony Corporation	1:7
DESCRIPTION 2	PART NO.	SHEET/PAGES
65 (X80L) EXTERIOR VIEW		2 / 5

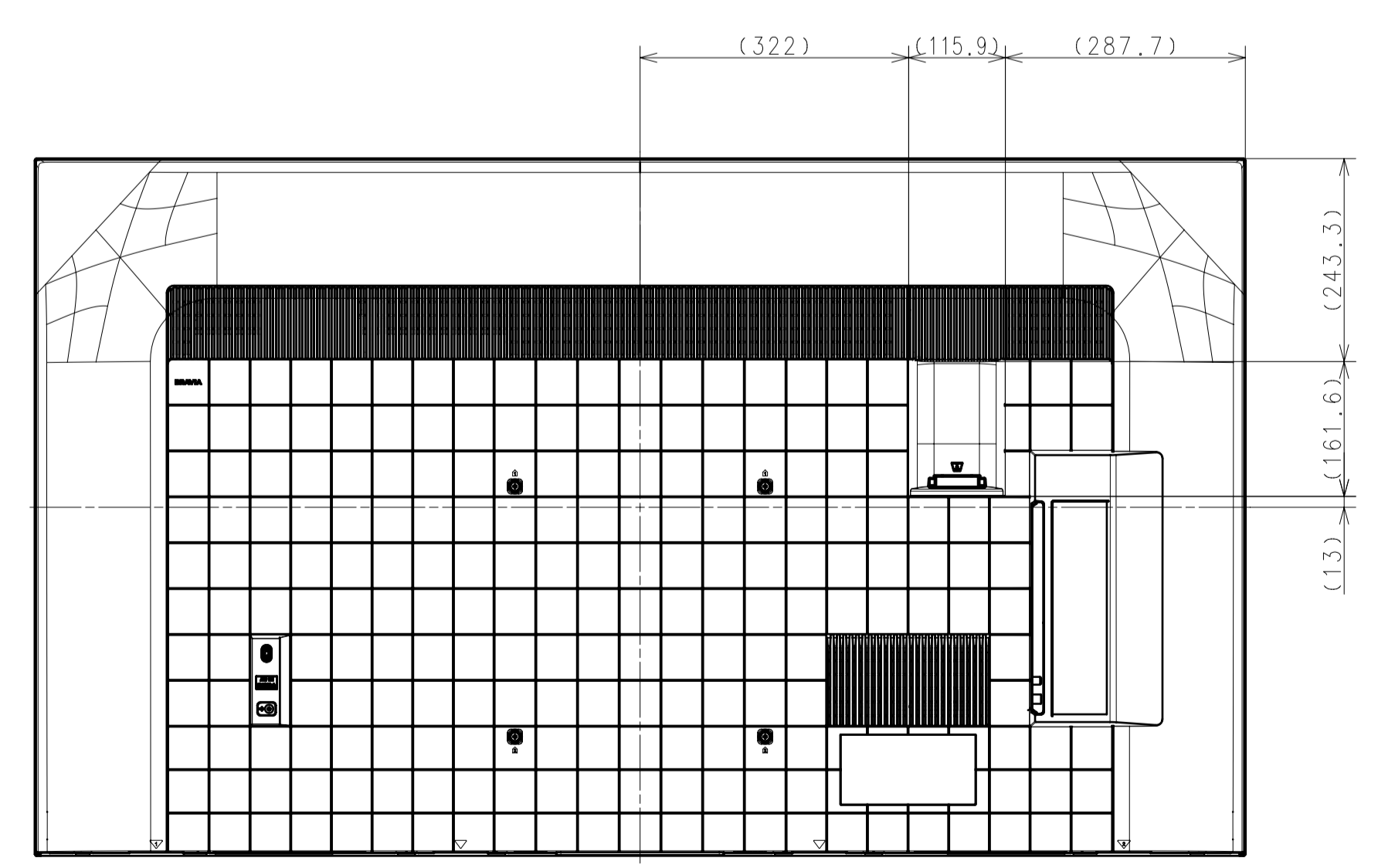
WITHOUT STAND



For JAPAN



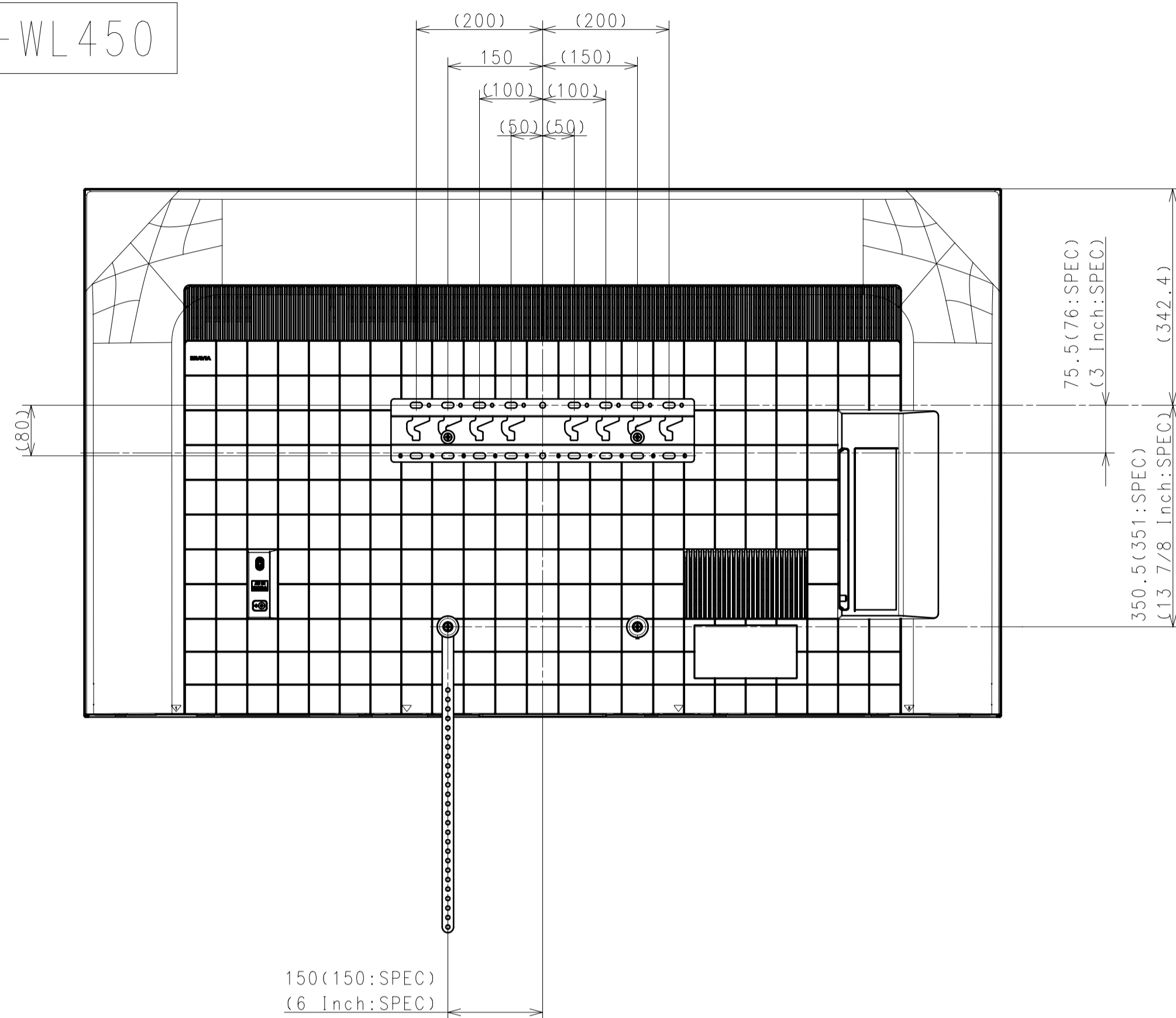
For GENERAL AREA, CHINA



For EUROPE

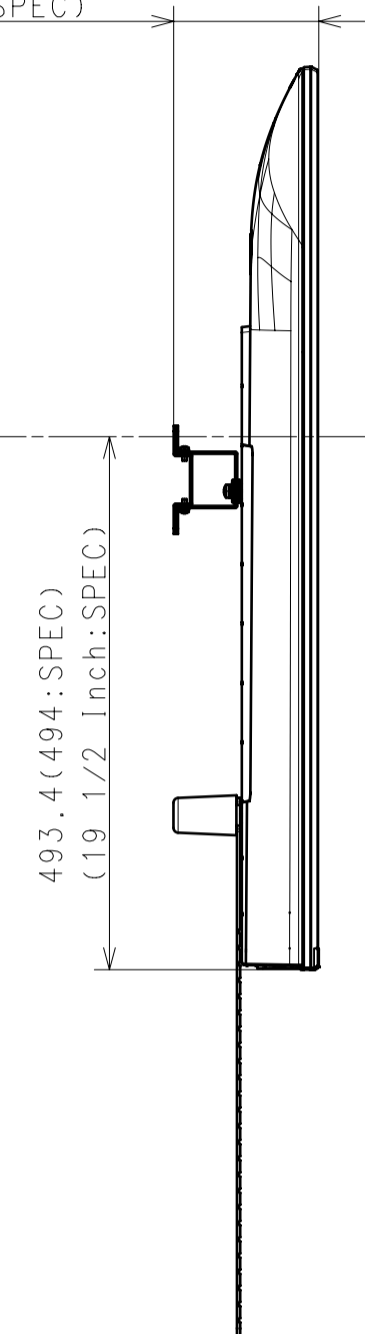
DESCRIPTION 1	65 (X80L) EXTERIOR VIEW	LEGAL OWNER	Sony Corporation	SCALE	1:7
DESCRIPTION 2	65 (X80L) EXTERIOR VIEW	PART NO.		SHEET/PAGES	3 / 5

SU-WL450



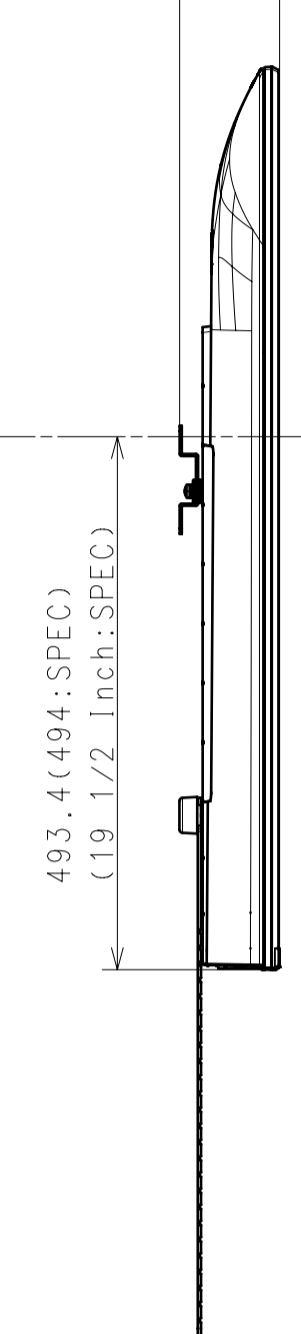
STANDARD

134.4 (135:SPEC)
(5 3/8 Inch:SPEC)



SLIM

92.6 (93:SPEC)
(3 3/4 Inch:SPEC)



493.4 (494:SPEC)
(19 1/2 Inch:SPEC)

493.4 (494:SPEC)
(19 1/2 Inch:SPEC)

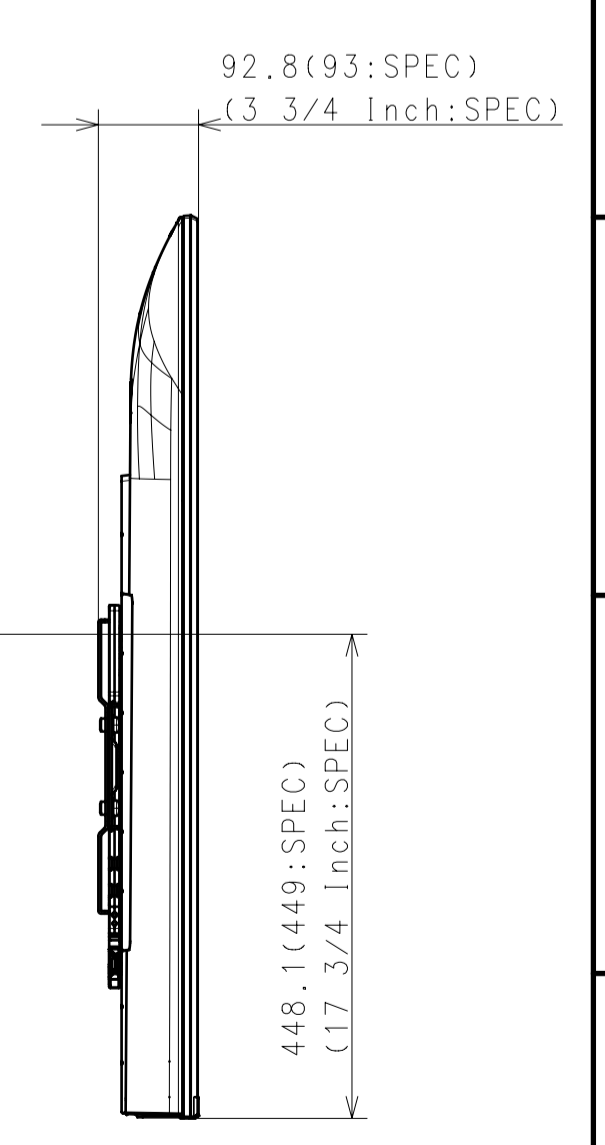
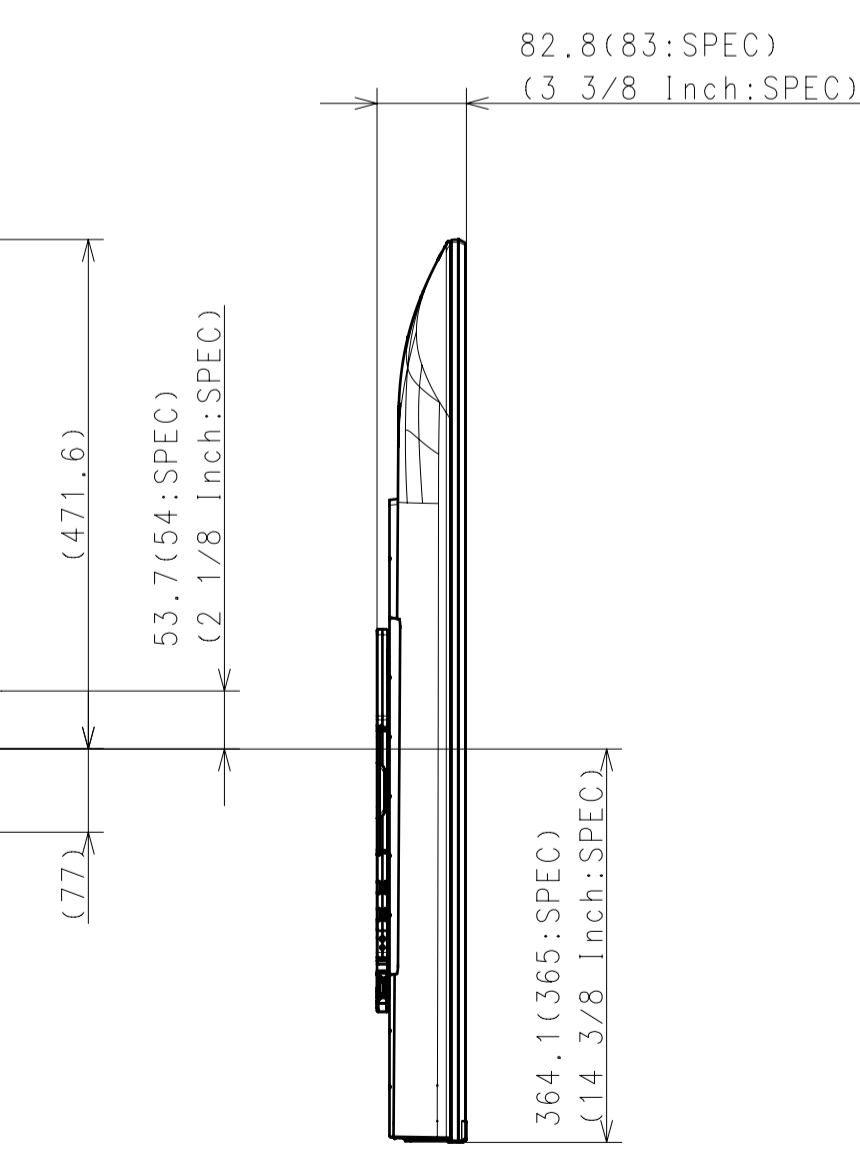
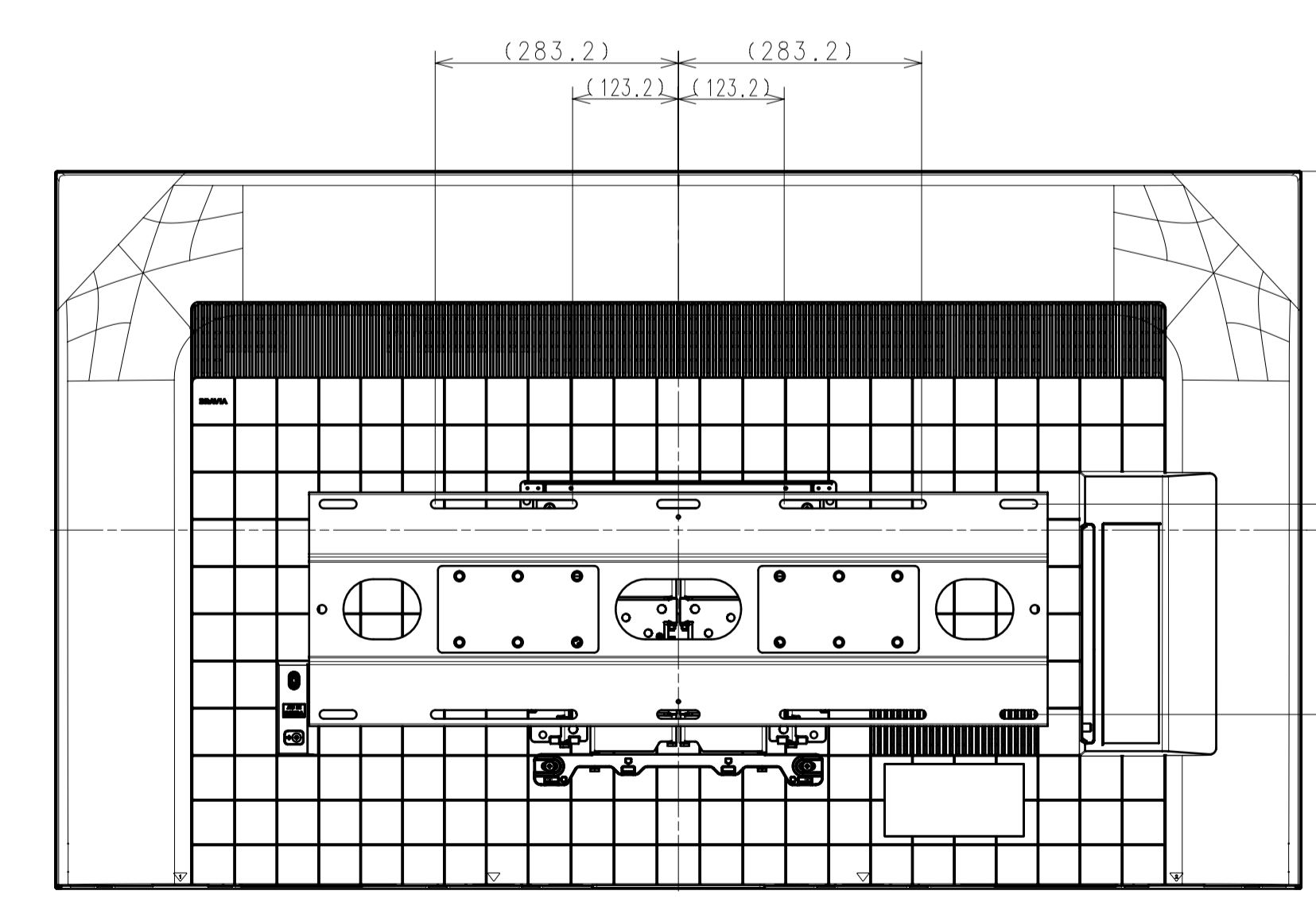
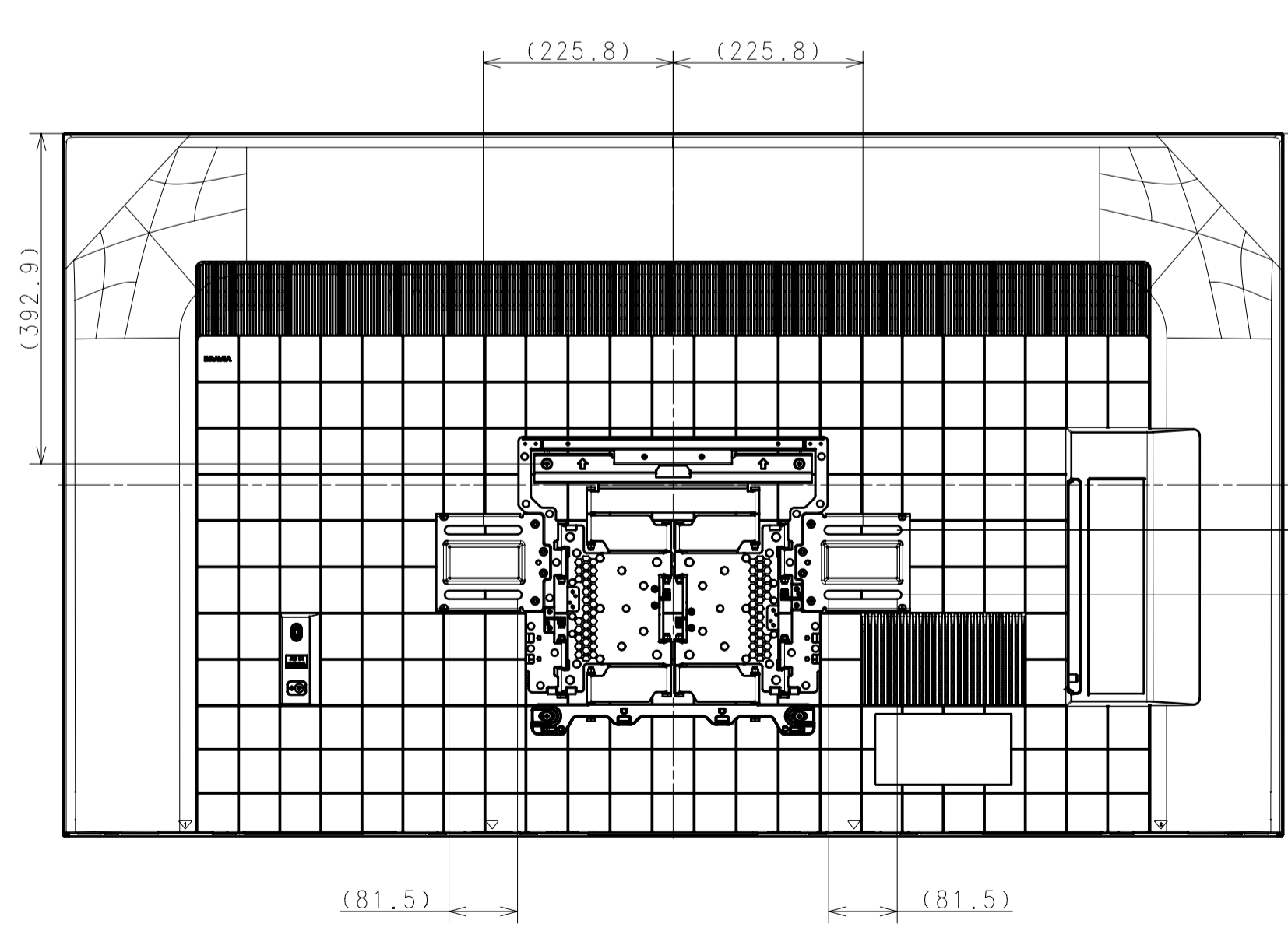
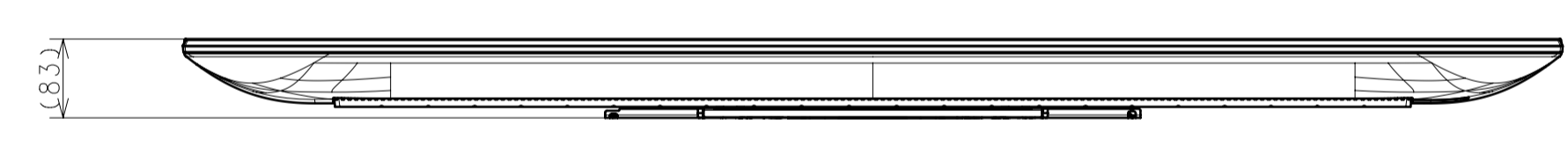
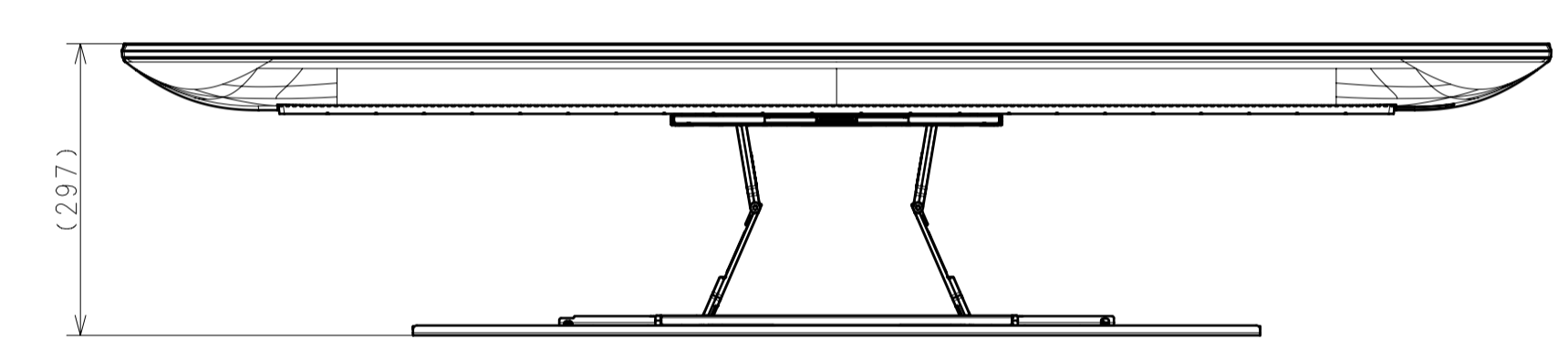
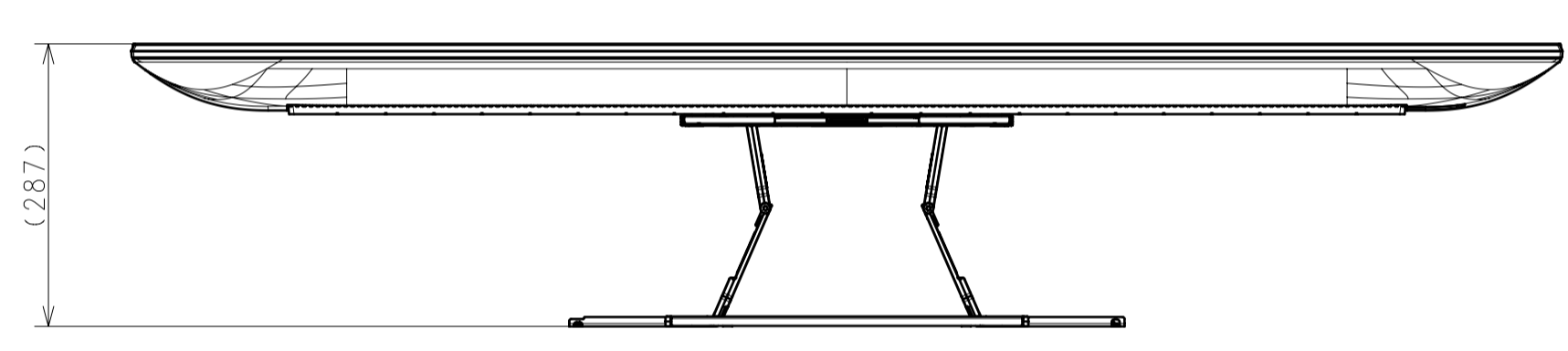
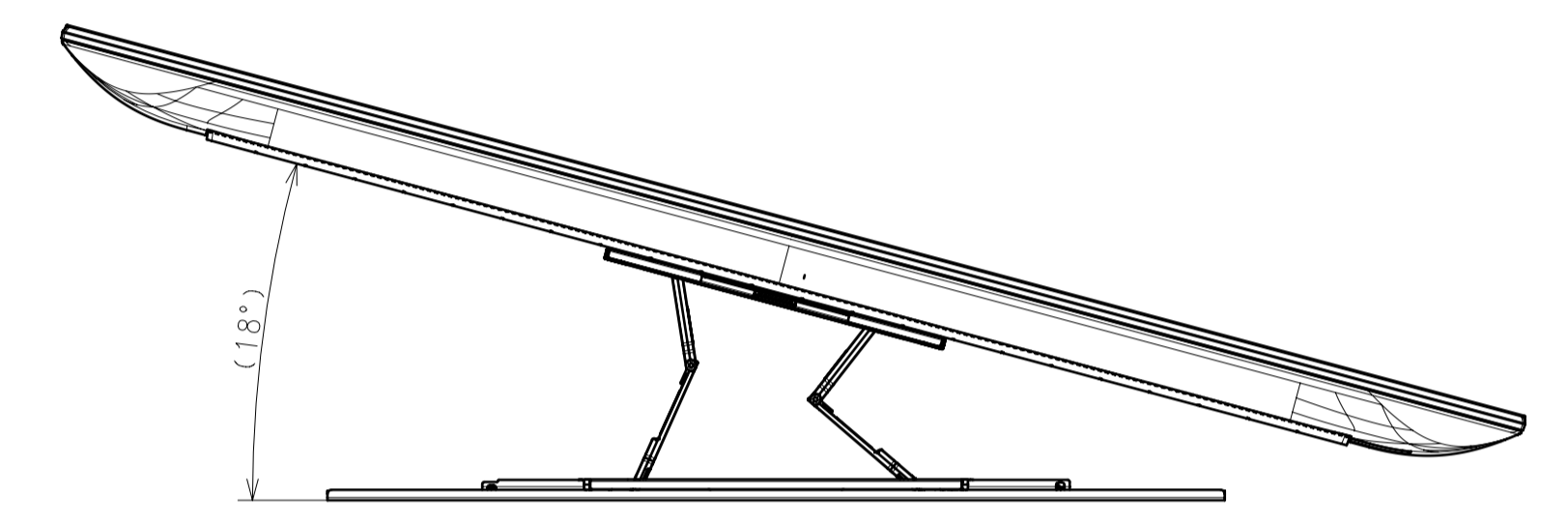
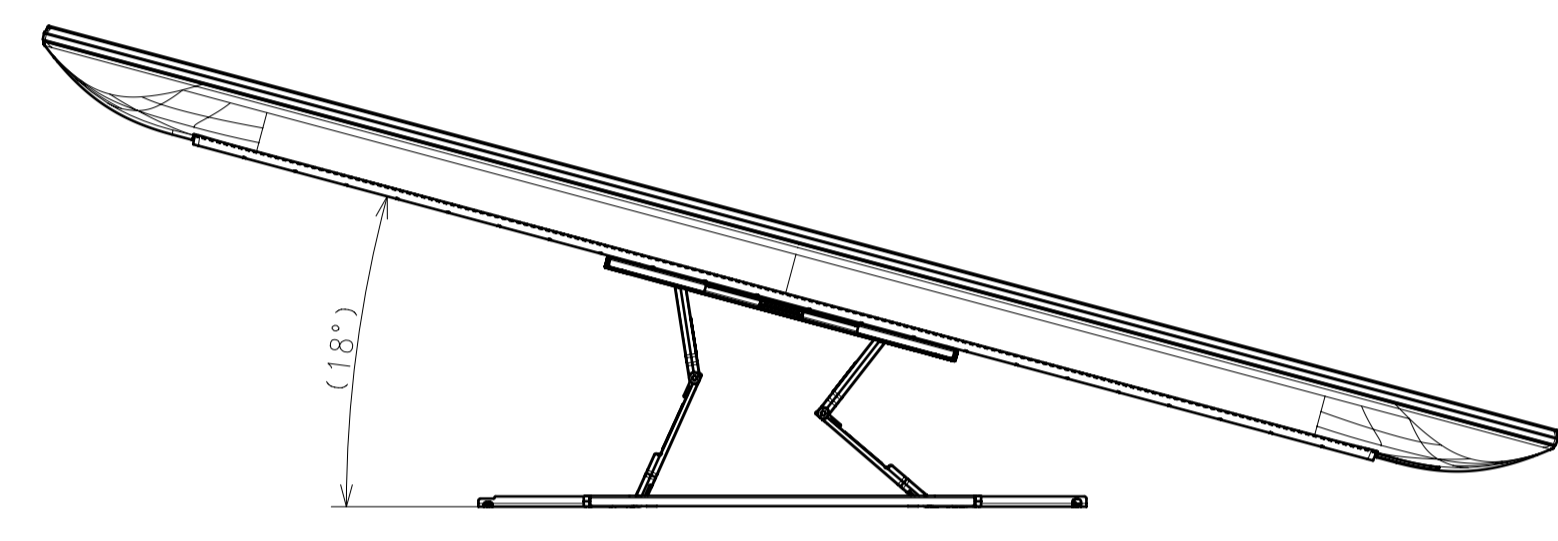
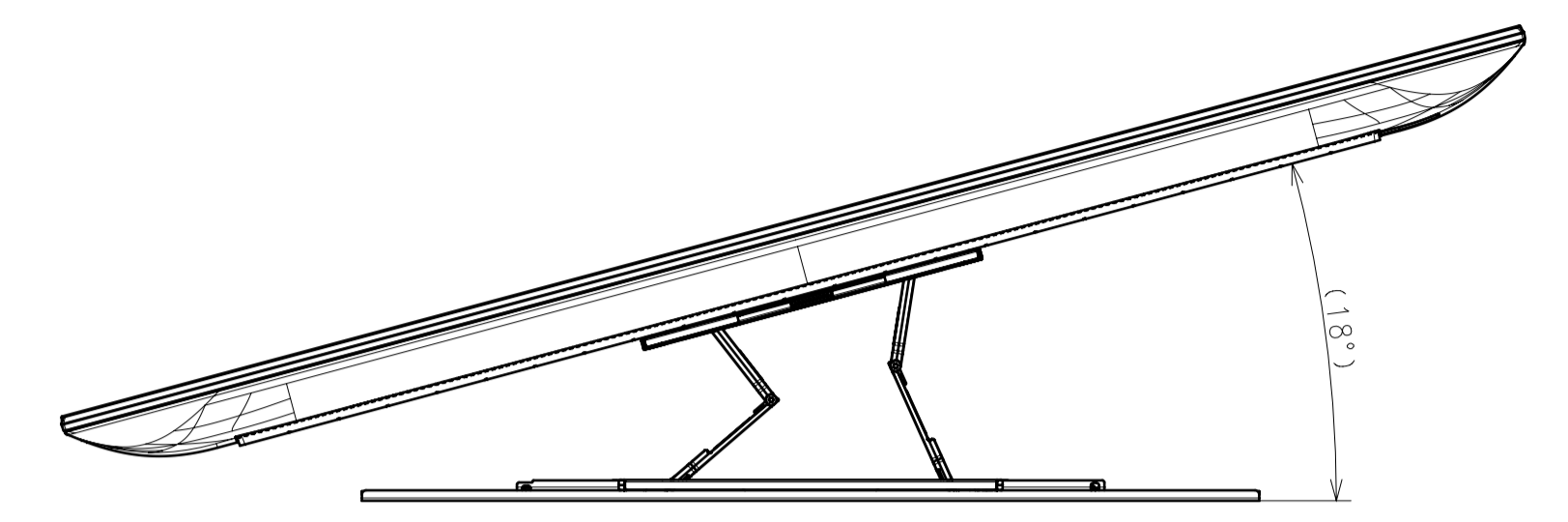
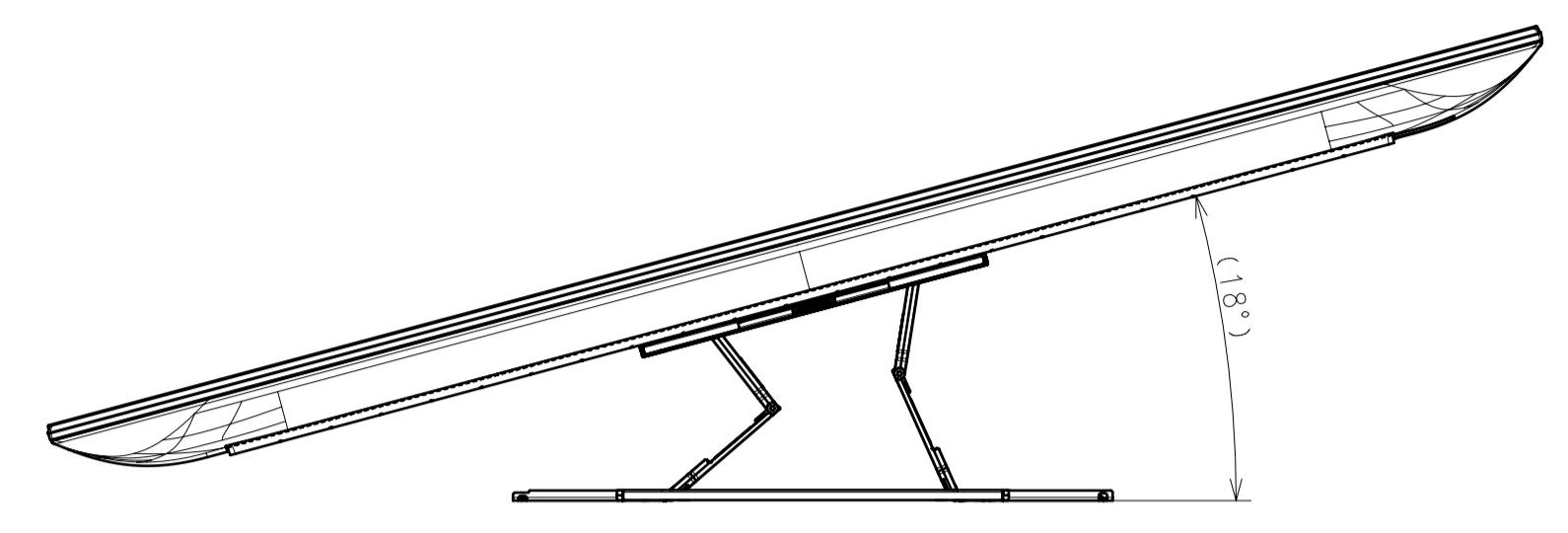
SHARING

SONY STANDARD

DESCRIPTION	LEGAL OWNER	SCALE
65 (X80L) EXTERIOR VIEW	Sony Corporation	1:7
DESCRIPTION	PART NO.	SHEET/PAGES
65 (X80L) EXTERIOR VIEW		4 / 5

WL850

WL855 WITH LATERAL SHAFT BRACKET



DESCRIPTION 1	65 (X80L) EXTERIOR VIEW	LEGAL OWNER	Sony Corporation	SCALE	1:7
DESCRIPTION 2	65 (X80L) EXTERIOR VIEW	PART NO.		SHEET/PAGES	5 / 5