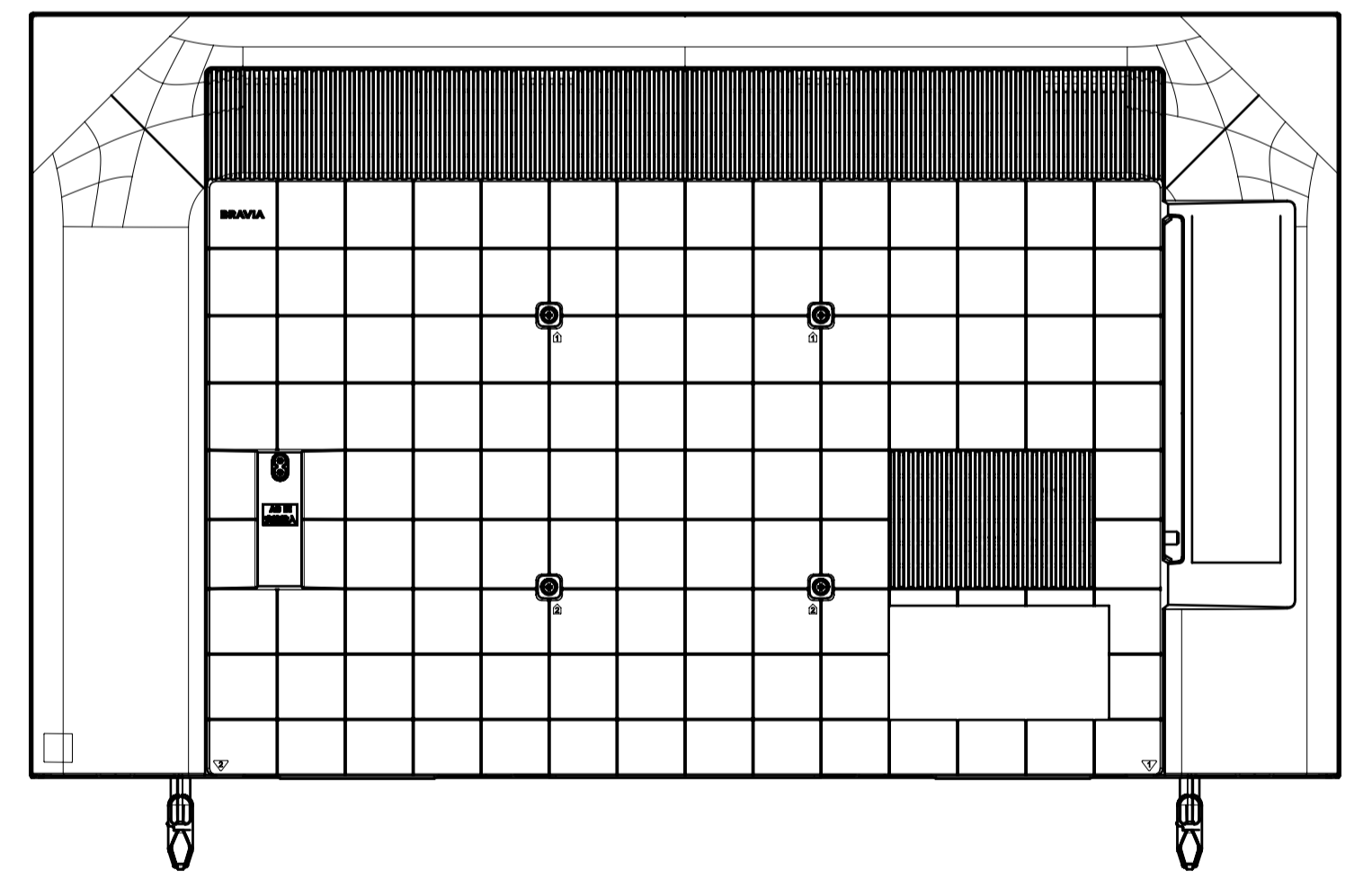
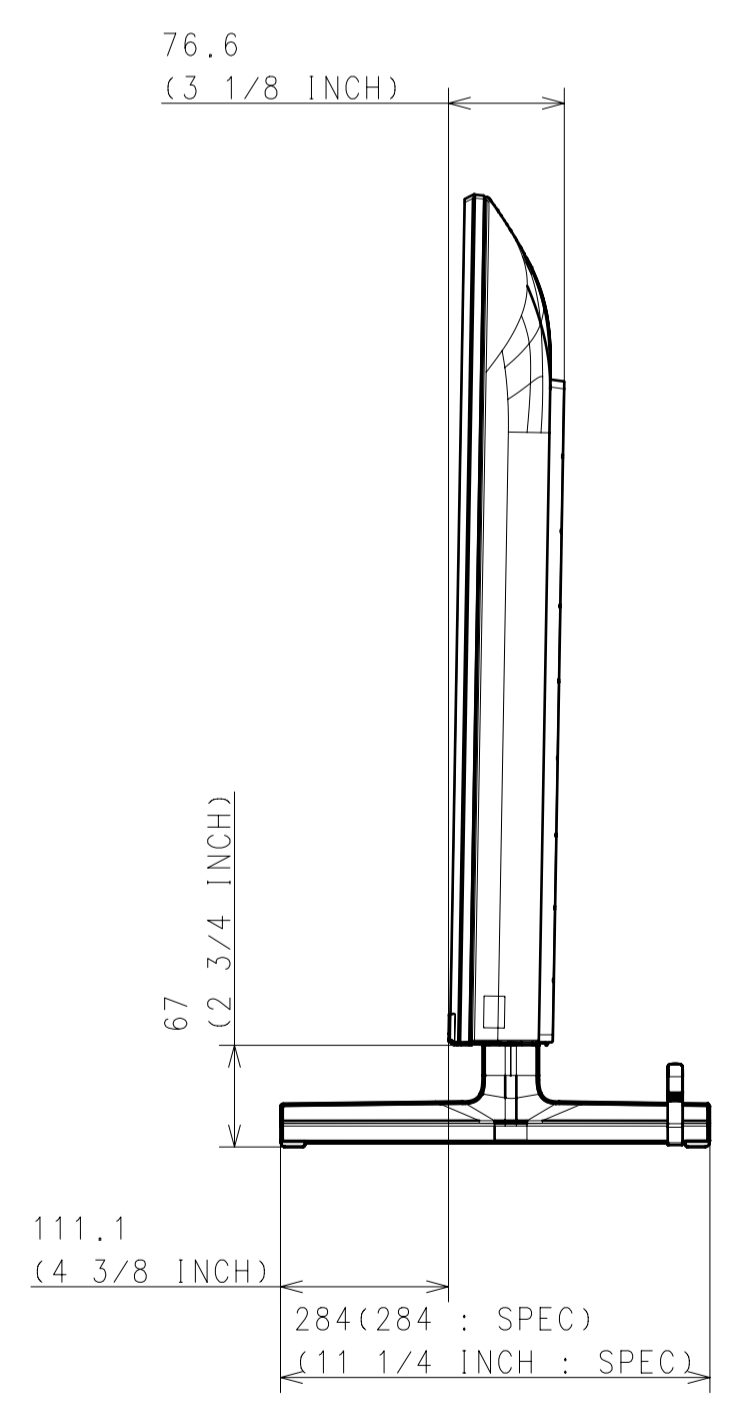
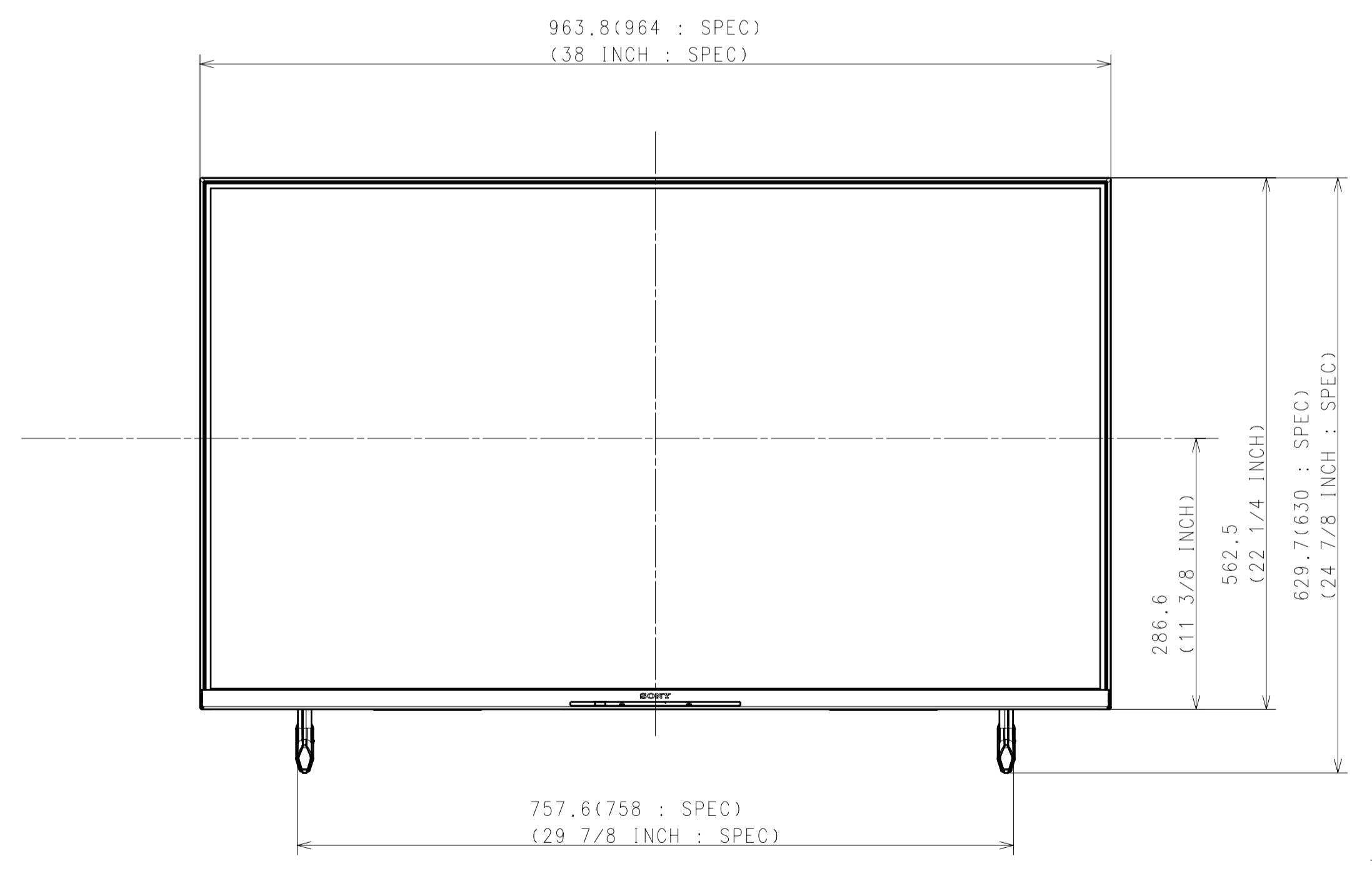
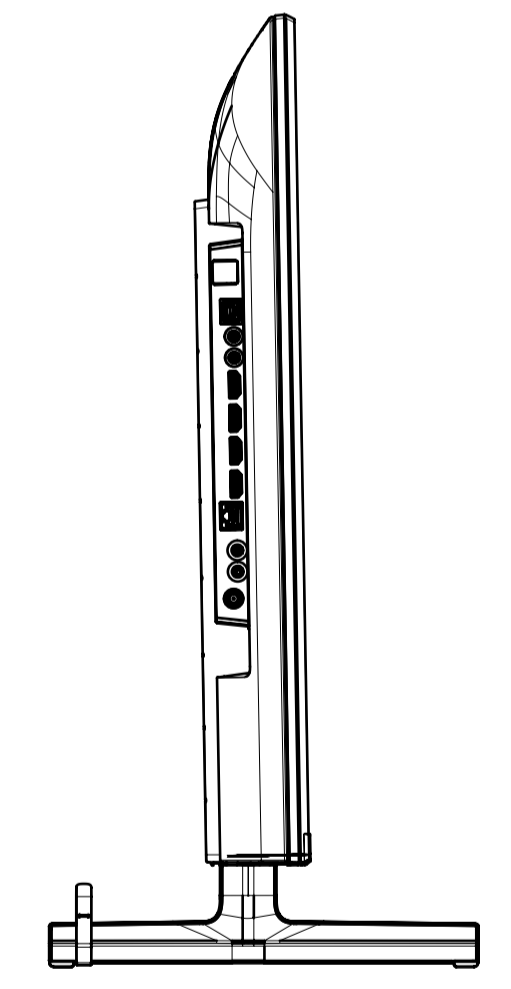
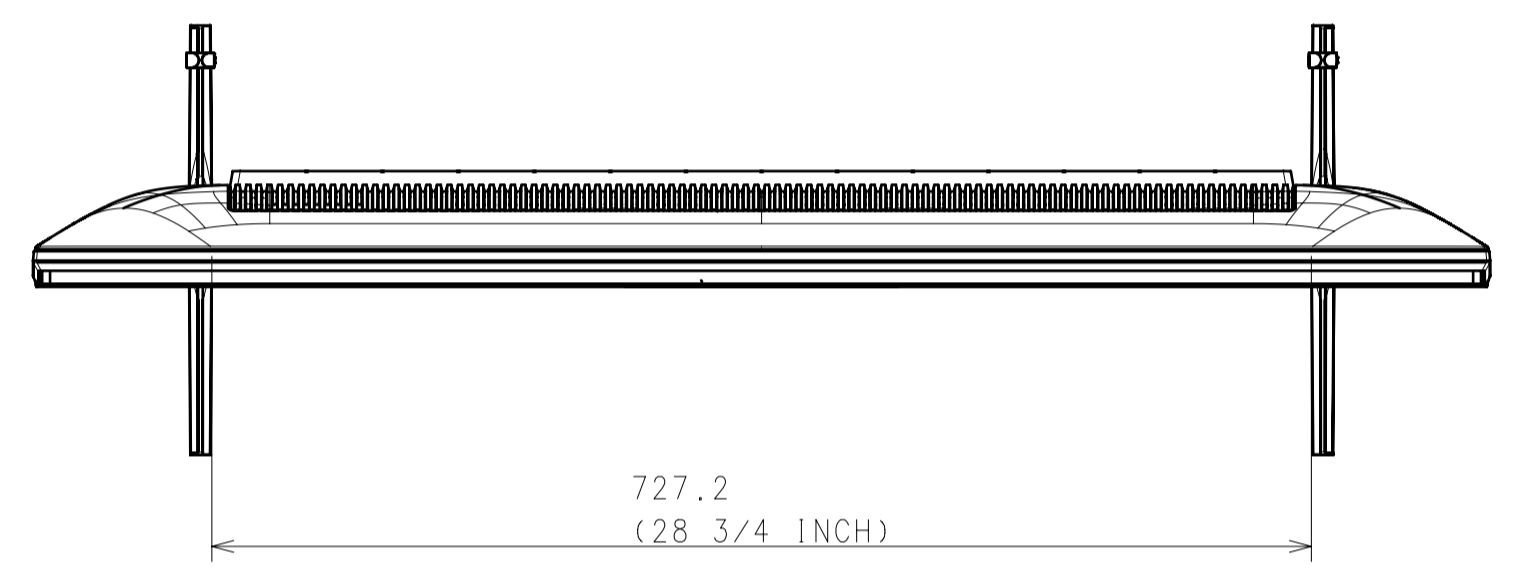


WITH STAND

MAIN STAND WITH STANDARD POSITION  
FOR KJ-43X80L (JAPAN) AND  
KD-43X80L (EUROPE, GENERAL AREA)

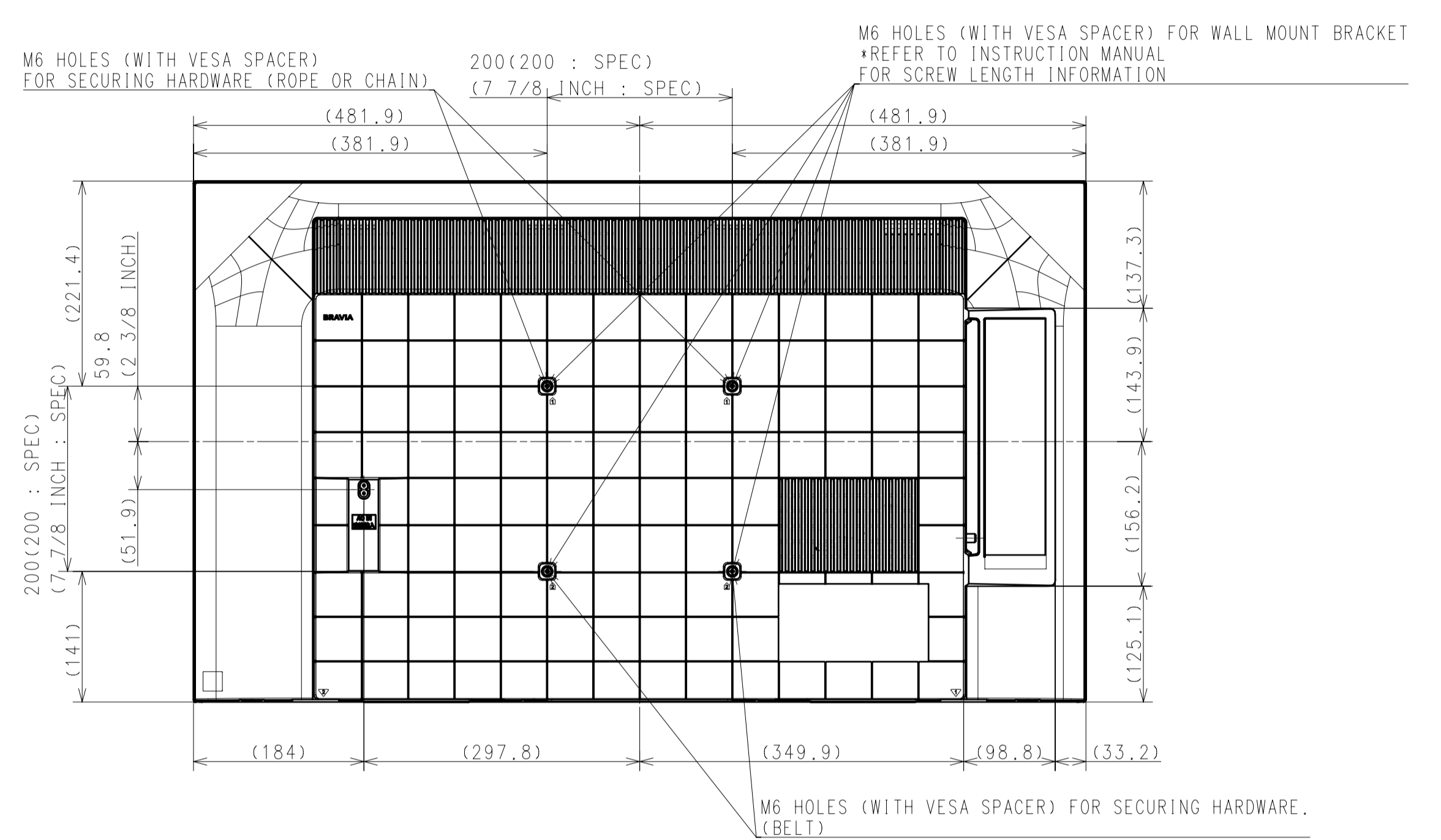
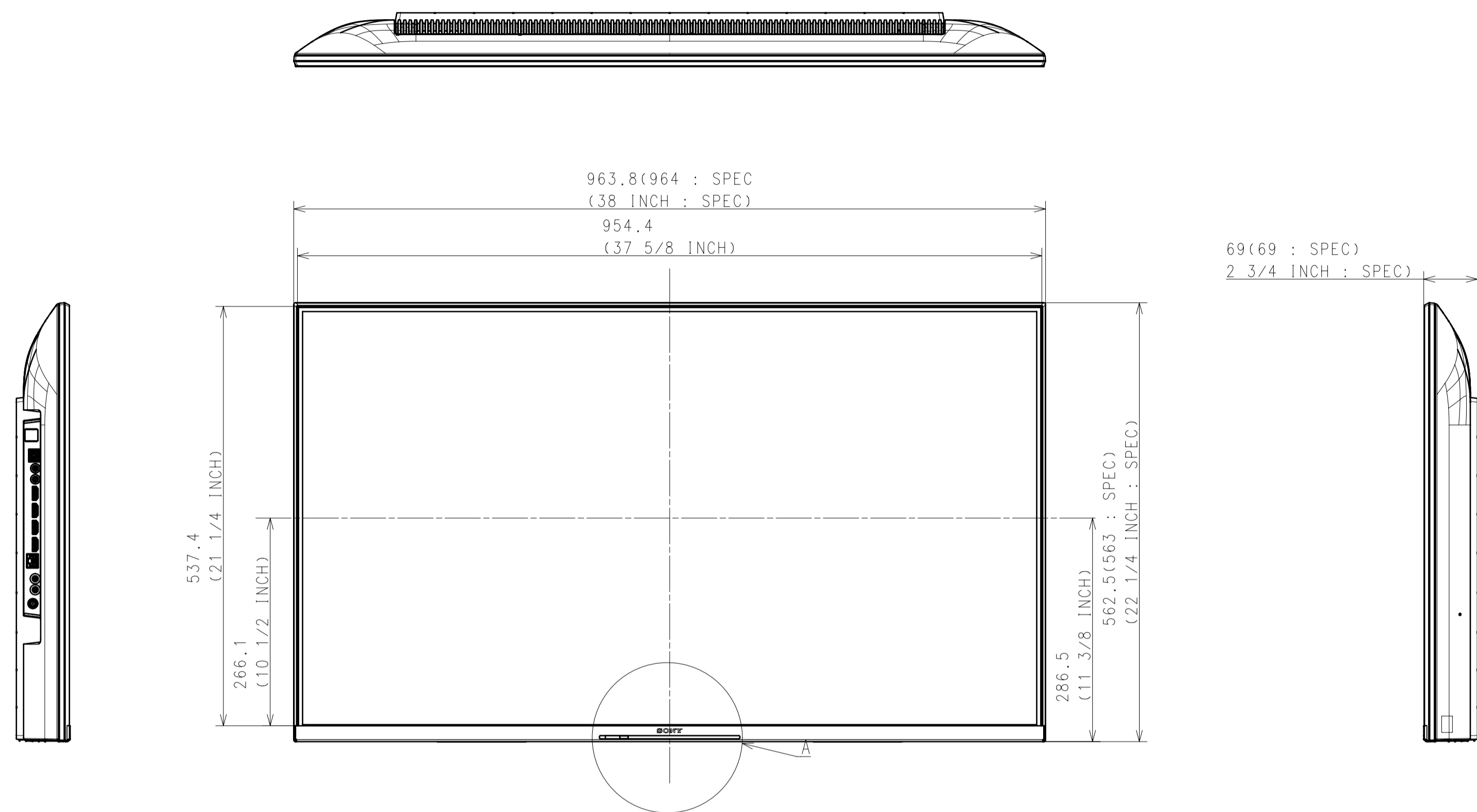
Area	JAPAN	EUROPE	GENERAL AREA	
Model Name	KJ-43X80L	KD-43X80L	KD-43X80L	
SV No.	SV-41316	SV-41271	SV-41115	
DIMENSION	TV only (W x H x D)	96.4 x 56.3 x 6.9 cm	Approx. 96.4 x 56.3 x 6.9 cm	Approx. 96.4 x 56.3 x 6.9 mm
	TV only with camera (W x H x D)	-	-	-
	TV with Stand (Standard position) (W x H x D)	96.4 x 63.0 x 28.4 cm	Approx. 96.4 x 63.0 x 28.4 cm	Approx. 96.4 x 63.0 x 28.4 mm
	TV with Stand (Narrow position) (W x H x D)	-	-	-
	TV with Stand (Soundbar position) (W x H x D)	-	-	-
	TV with Stand (Front position style) (W x H x D)	-	-	-
	TV with Stand (Back position style) (W x H x D)	-	-	-
	TV with Floor Stand (W x H x D)	-	-	-
	Stand Width (Standard position)	75.8 cm	Approx. 75.8 cm	Approx. 75.8 mm
	Stand Width (Narrow position)	-	-	-
	Stand Width (Soundbar position)	-	-	-
	Stand Width (Front position style)	-	-	-
	Stand Width (Back position style)	-	-	-
	Floor Stand Width	-	-	-
VESA Hole Pitch	20.0 x 20.0 cm	20.0 x 20.0 cm	200 x 200 mm	
WEIGHT	TV Only	10.1 kg	Approx. 10.1 kg	Approx. 10.1 kg
	TV with Stand (Standard position)	10.8 kg	Approx. 10.8 kg	Approx. 10.8 kg
	TV with Stand (Narrow position)	-	-	-
	TV with Stand (Soundbar position)	-	-	-
	TV with Stand (Front/Back position style)	-	-	-
	TV with Floor Stand	-	-	-
	Floor Stand weight (Supply)	-	-	-
Remarks	W-M't Br. Weight (Supply)	-	-	



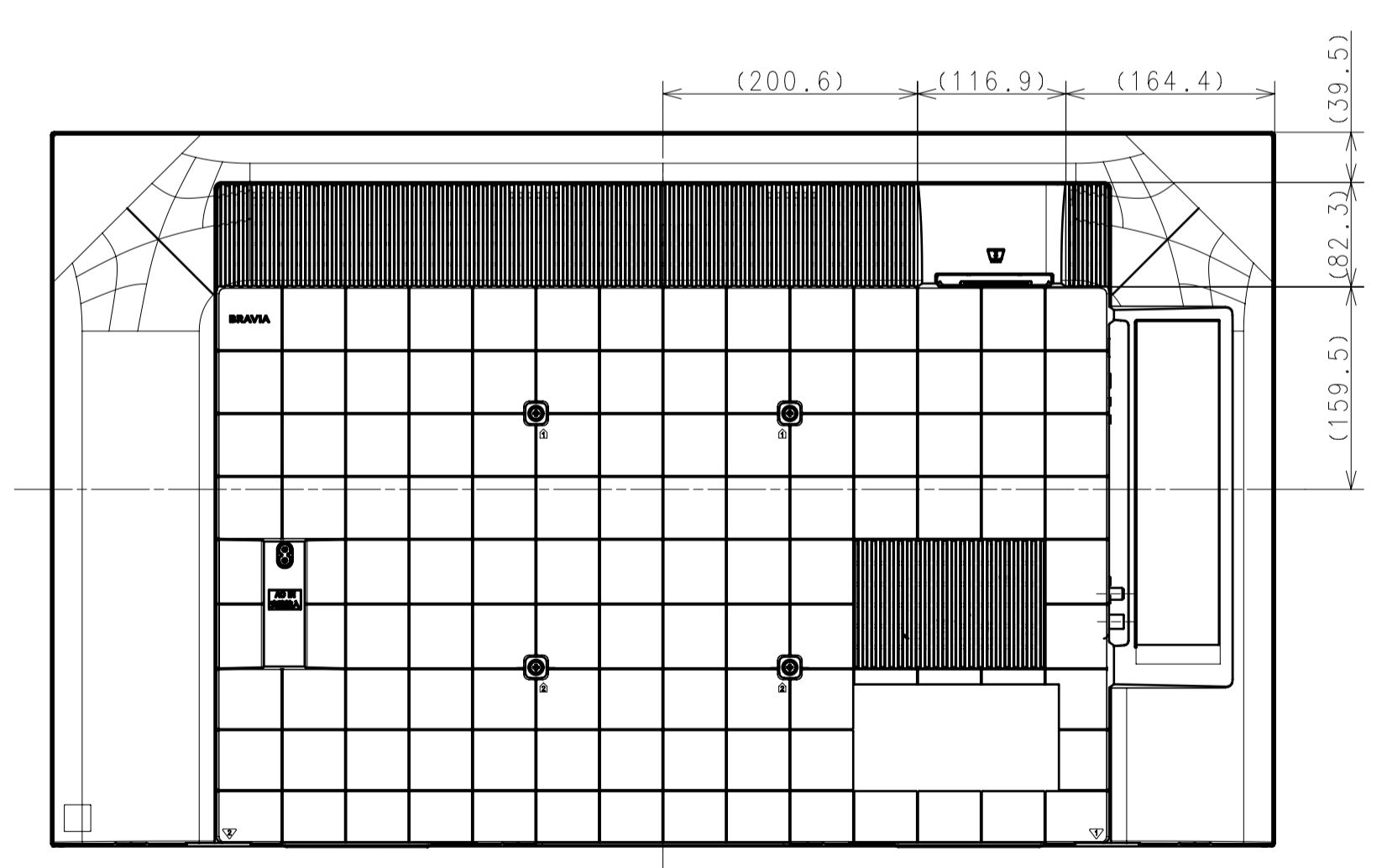
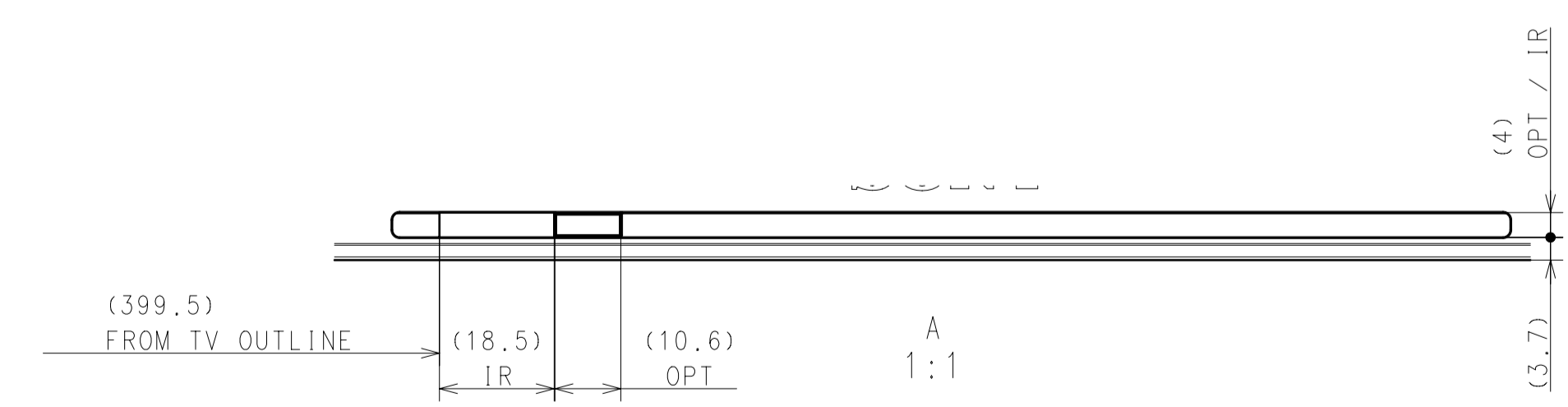
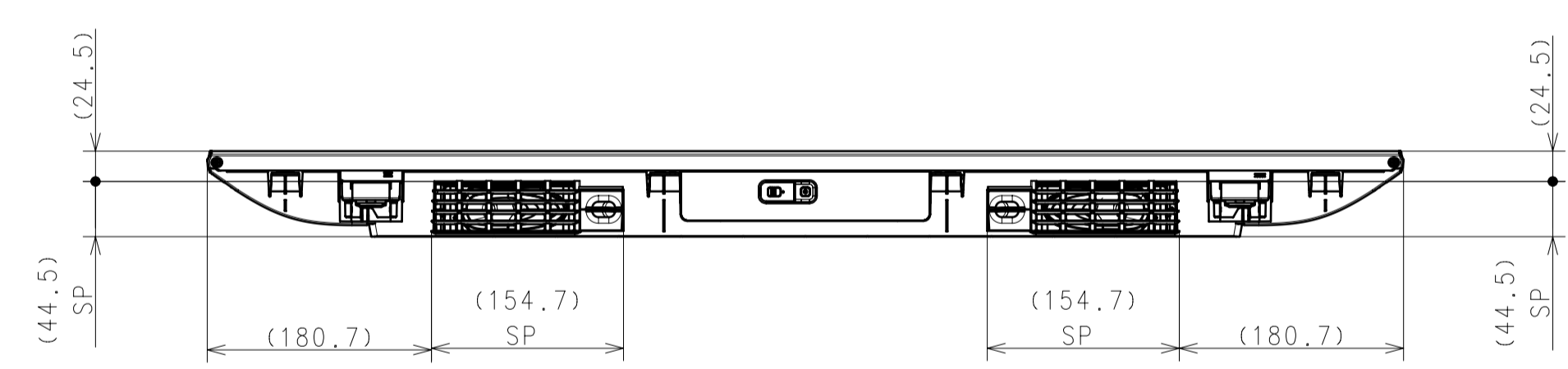
Purchase recycled resins and wire rods only from the business partners that Sony approves as Green Partners.  
再生樹脂・銅線材はグリーンパートナー認定者からの調達を促すこと。

HISTORY 1: 2022.10.04 2: 2022.10.04 3: 2022.10.04		SUFFIX AREA NO. REV.		RELEASE NO. DATE		REVISION		SIGN.		MATERIAL COLOR		FINISH COLOR		GENERAL TOLERANCE		DATE OF ISSUE 2022.10.04 DOCUMENT TYPE ASSEMBLY TOLERANCE DRAWING (JIS & JWEI (ISO) BASIS)					
RESPONSIBLE DEPARTMENT PANEL & MECHANICAL DESIGN										ORIGINAL MODEL 43(X80L) EXTERIOR VIEW		DESCRIPTION 43(X80L) EXTERIOR VIEW									
PLANNED BY 2022.10.04 SIED - D53 MECH				CHECKED BY 2022.10.04 SIED - D53 MECH				APPROVED BY 2022.10.04 SIED - D53 MECH				SCALE 1:5		TENTATIVE MODEL 43(X80L) EXTERIOR VIEW		SIZE A1		UNIT mm		SHEET/PAGES 1/3	

WITHOUT STAND



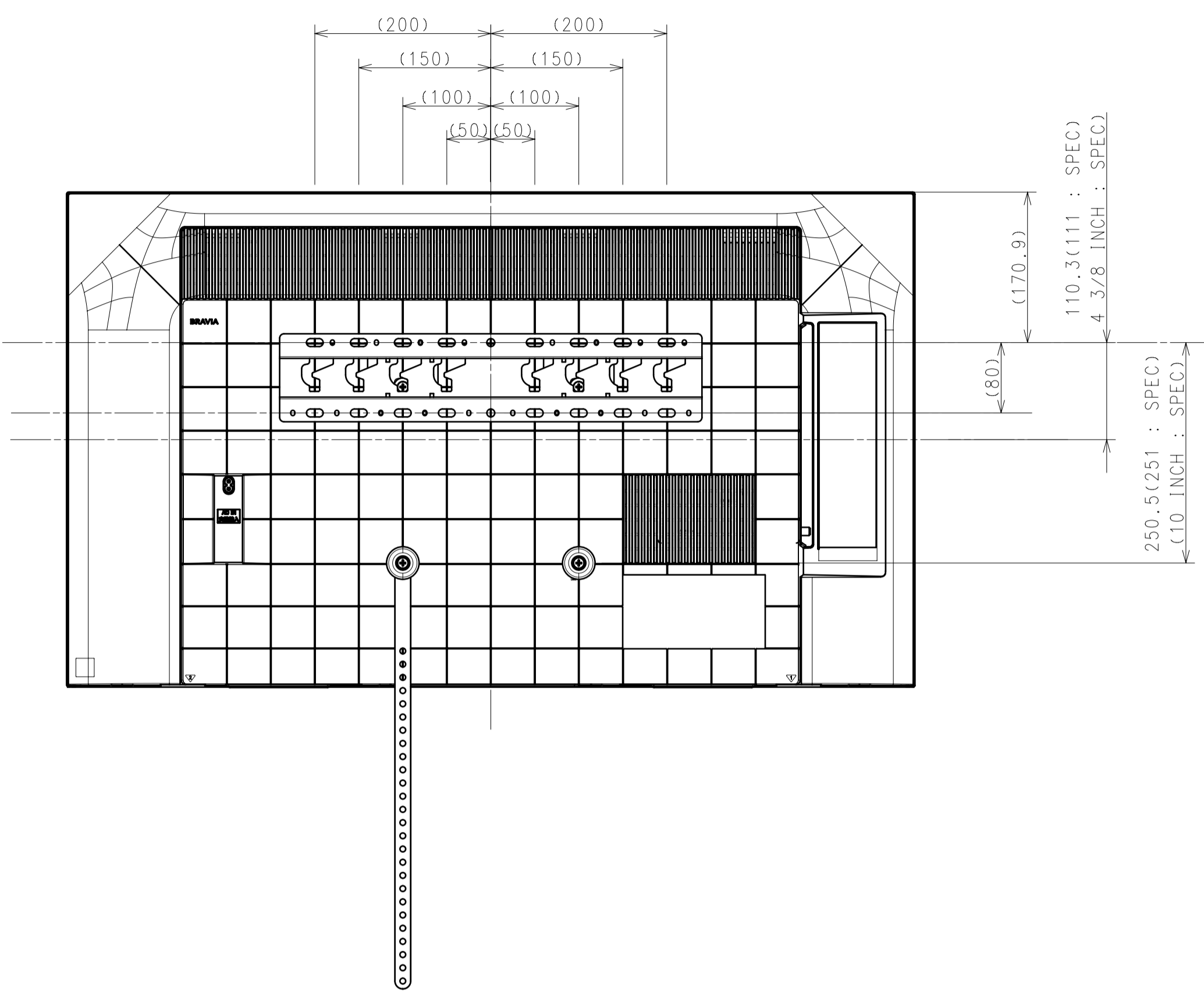
FOR GENERAL AREA AND JAPAN



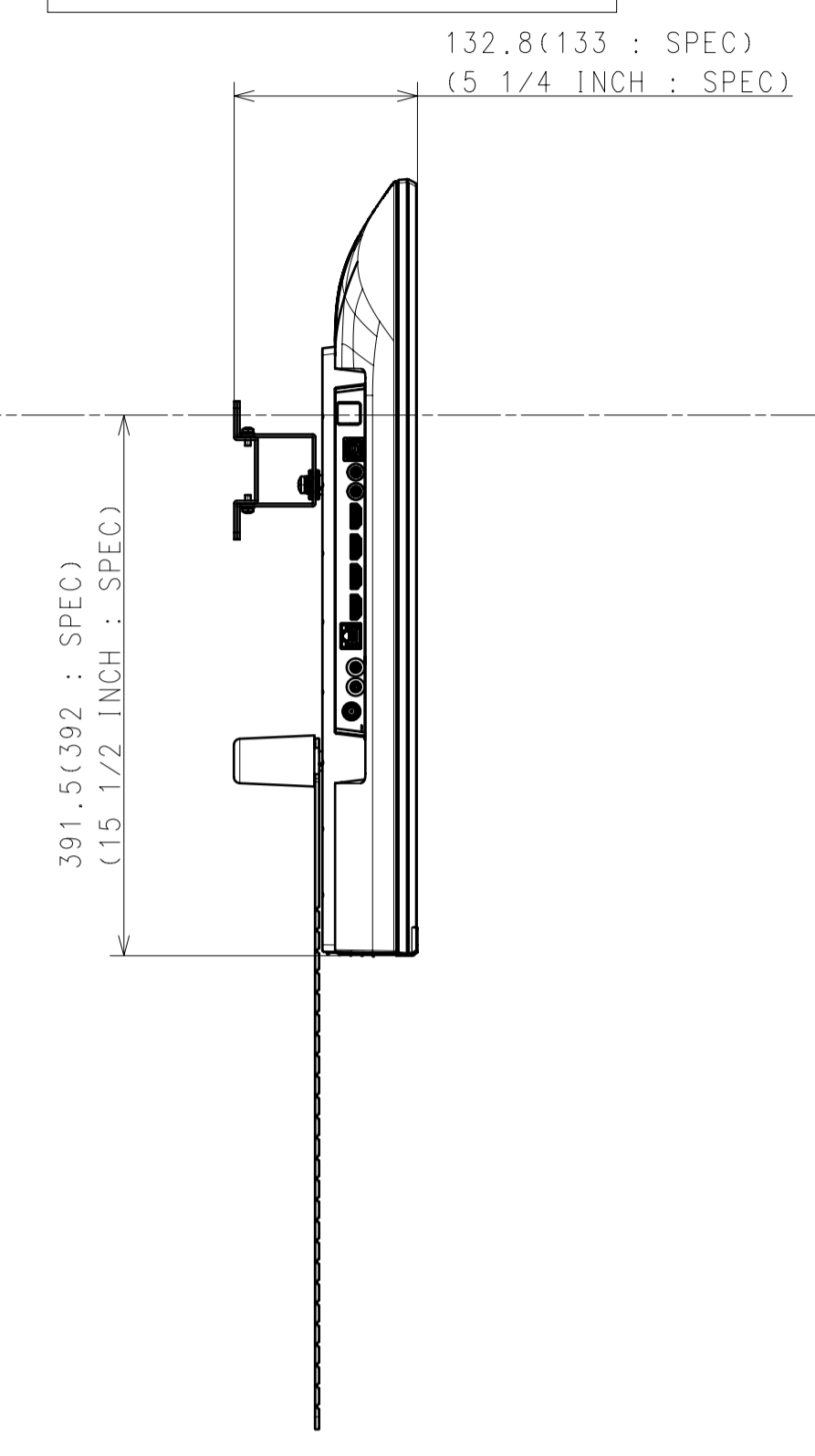
FOR EUROPE

DESCRIPTION 1 43(X80L) EXTERIOR VIEW	LEGAL OWNER Sony Corporation	SCALE T:1
DESCRIPTION 2 43(X80L) EXTERIOR VIEW	PART NO.	SHEET/PAGES 2 / 3

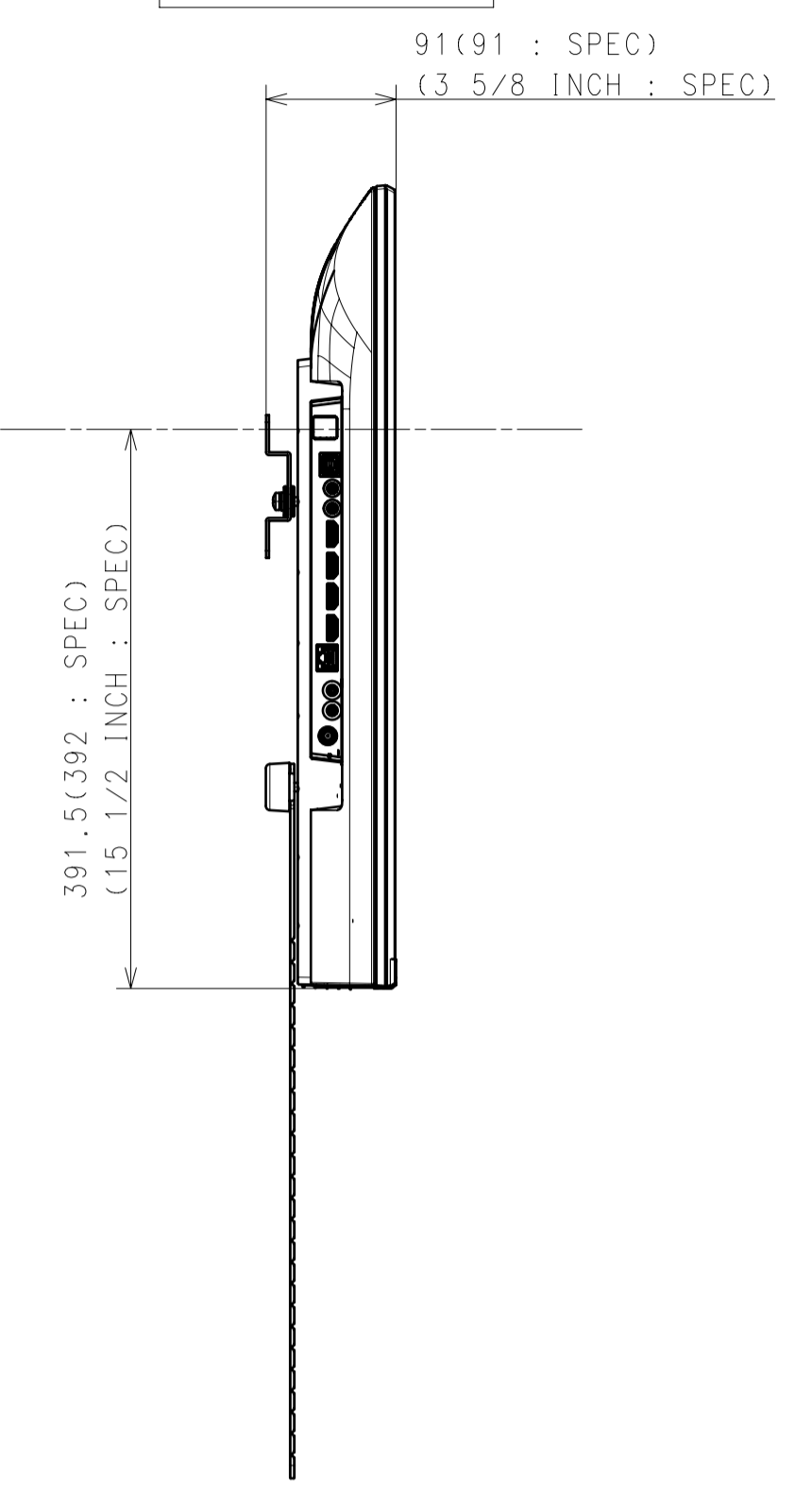
SU-WL 450



STANDARD



SLIM



DRAWING

SONY STANDARD

DESCRIPTION 1	LEGAL OWNER	SCALE
43(X80L) EXTERIOR VIEW	Sony Corporation	1:5
DESCRIPTION 2	PART NO.	SHEET/PAGES
43(X80L) EXTERIOR VIEW		3 / 3