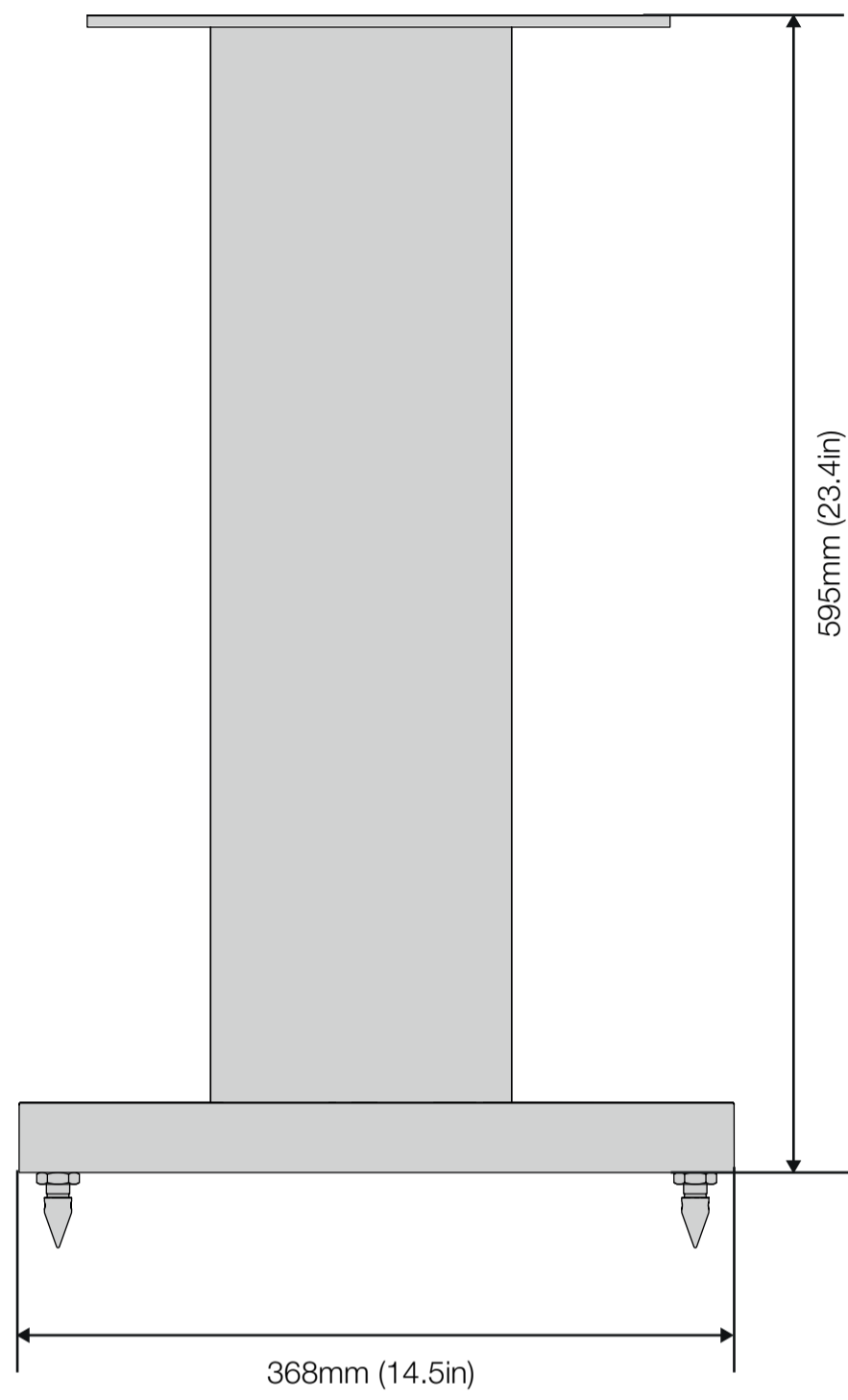
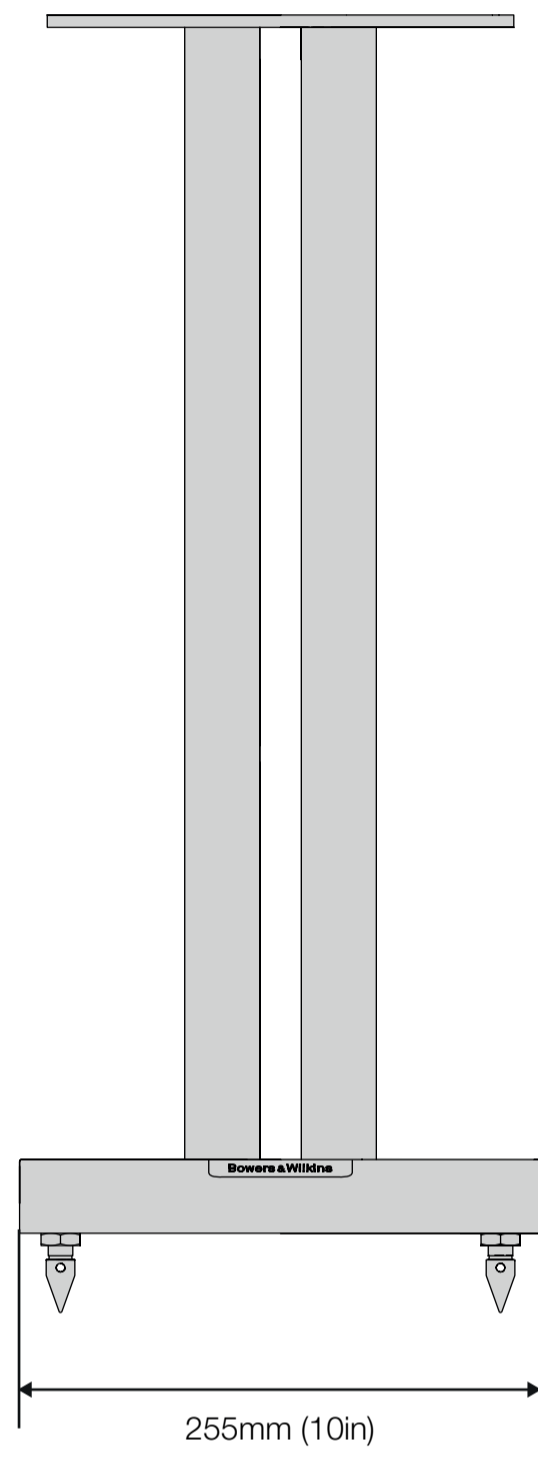


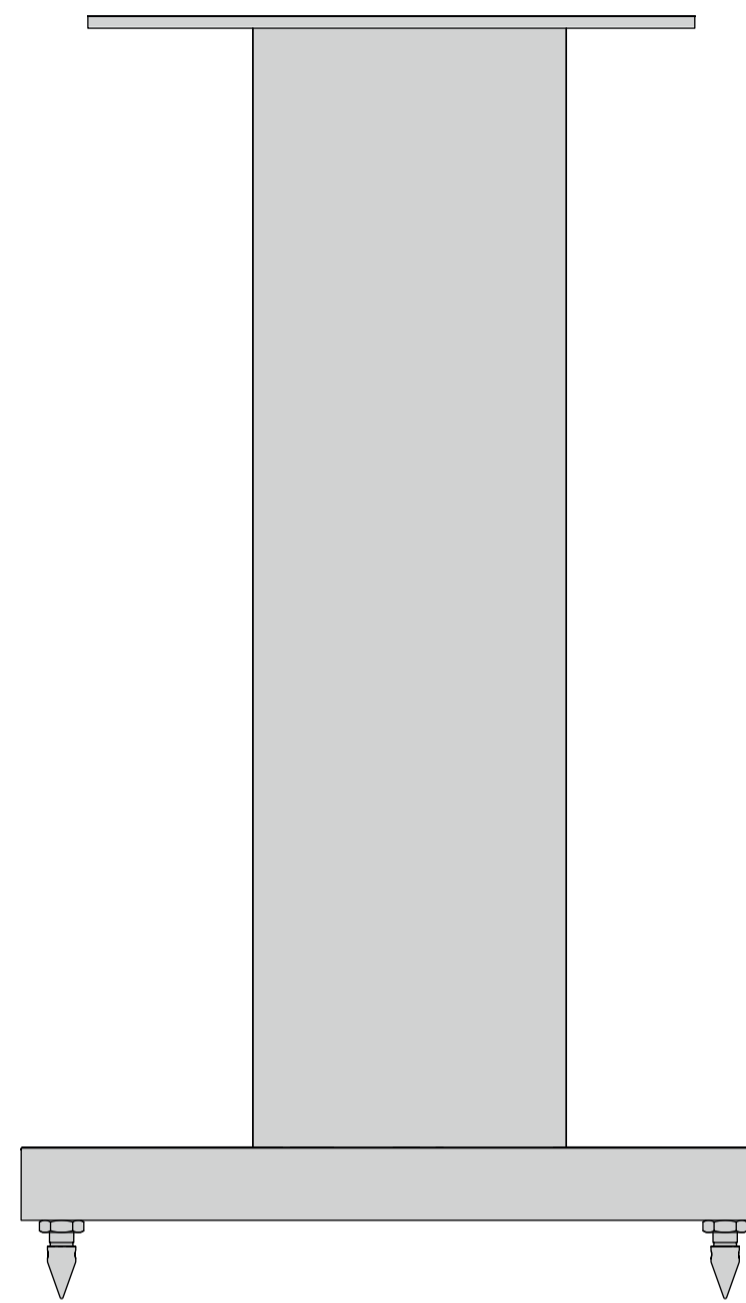
SIDE



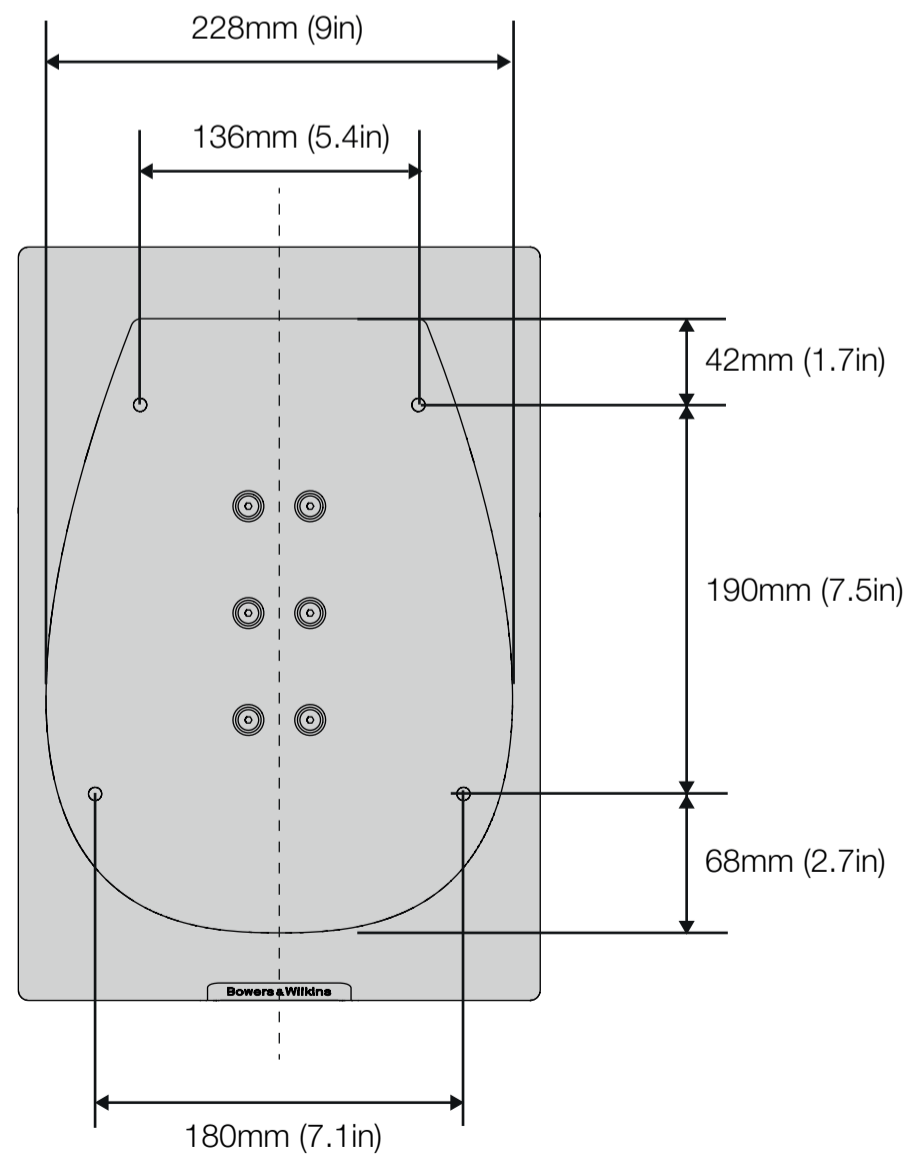
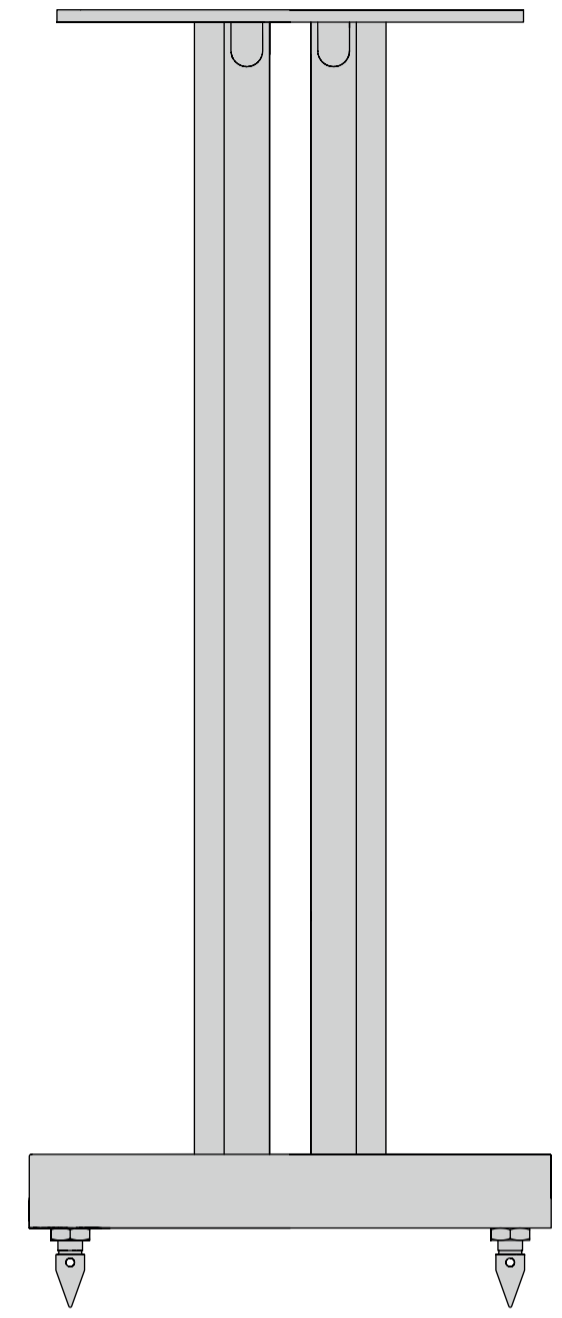
FRONT



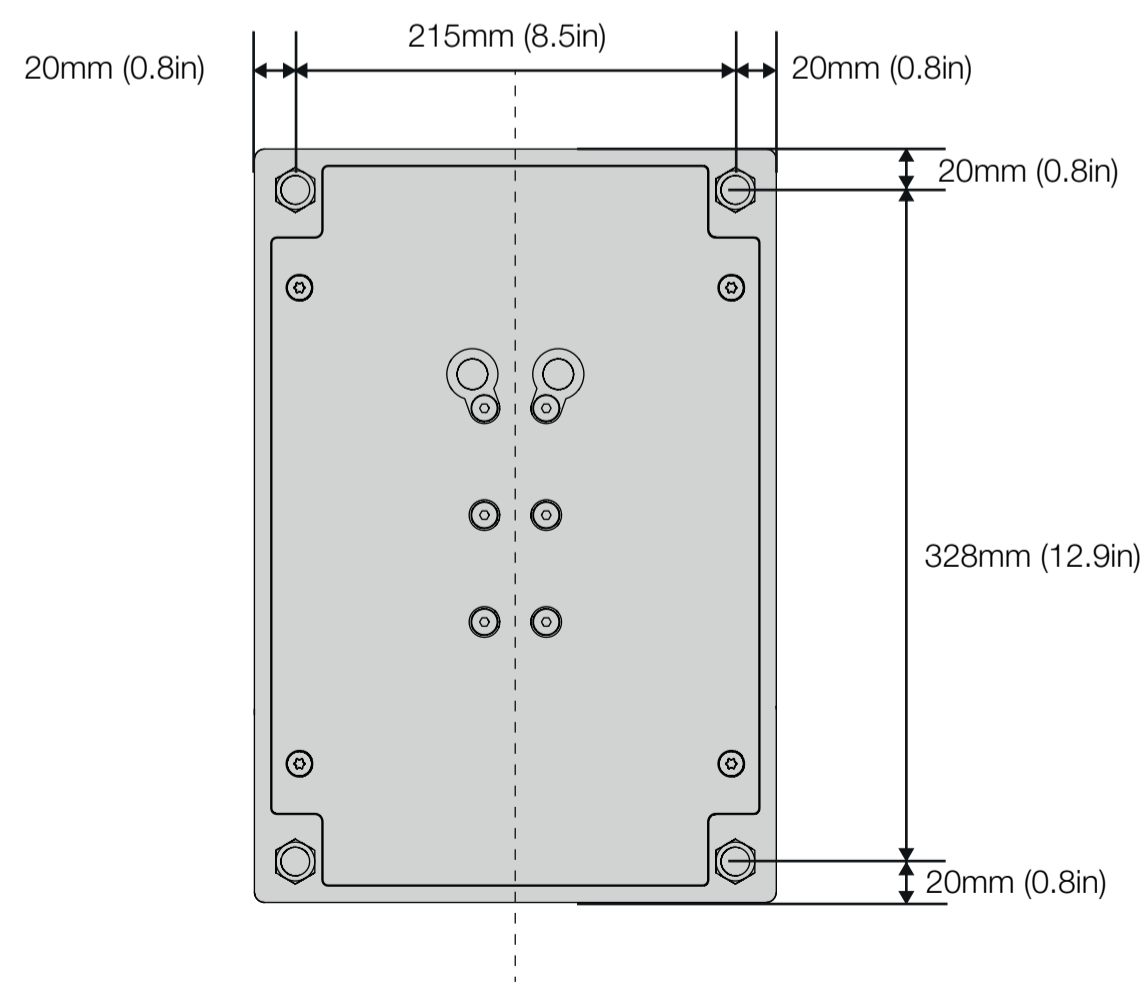
SIDE



BACK



TOP
FIXING LOCATION



BASE
FEET LOCATION

