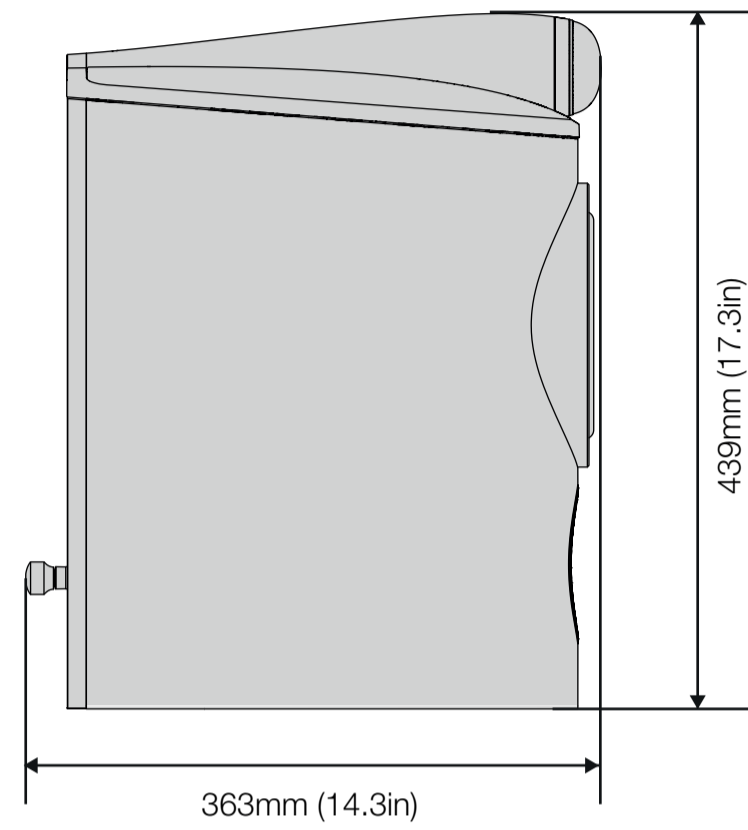
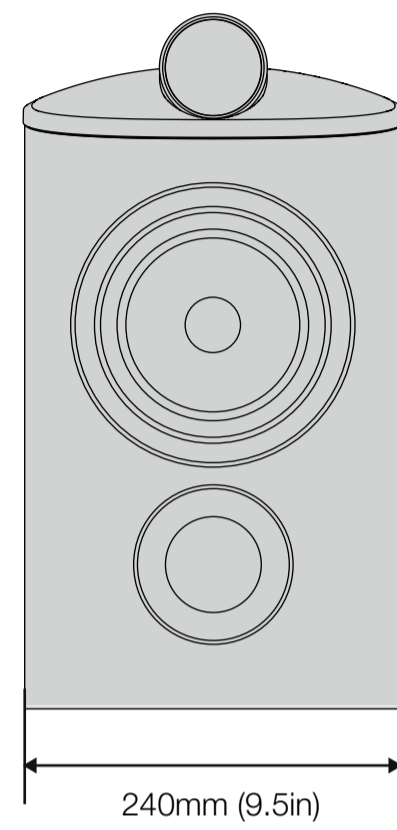


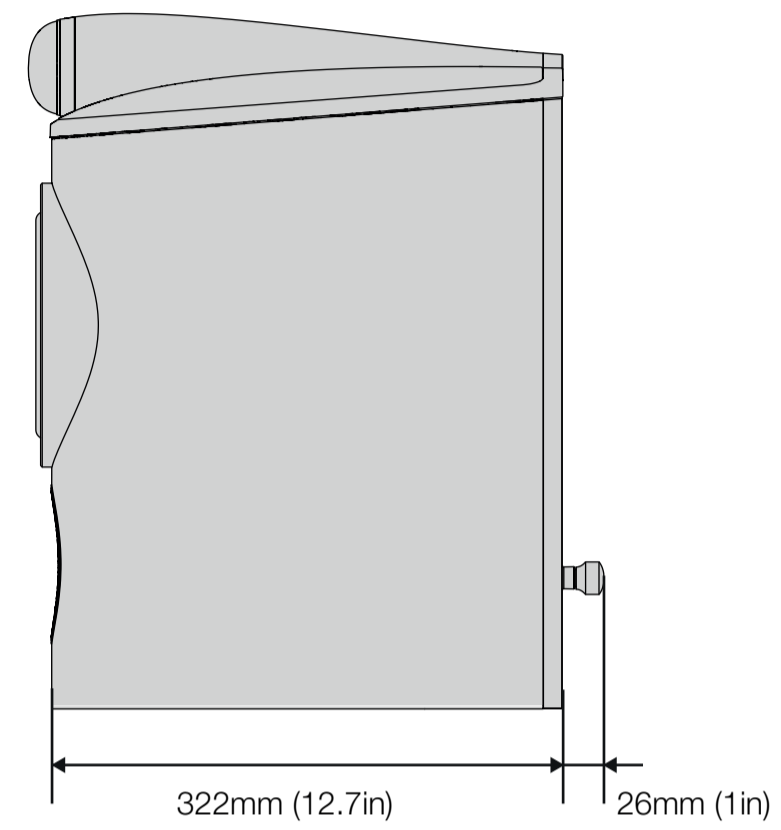
SIDE



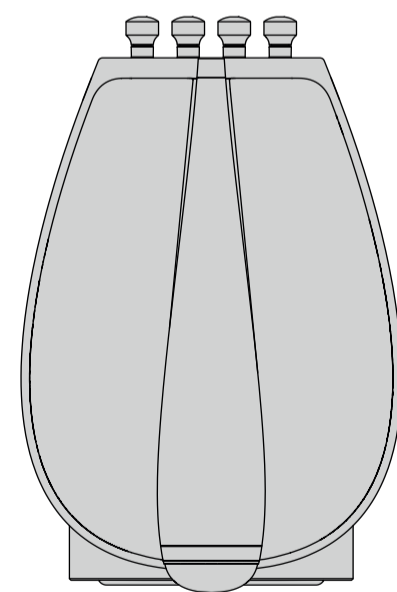
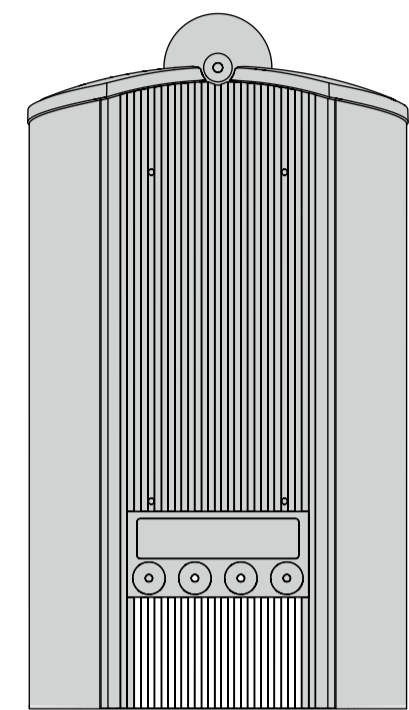
FRONT



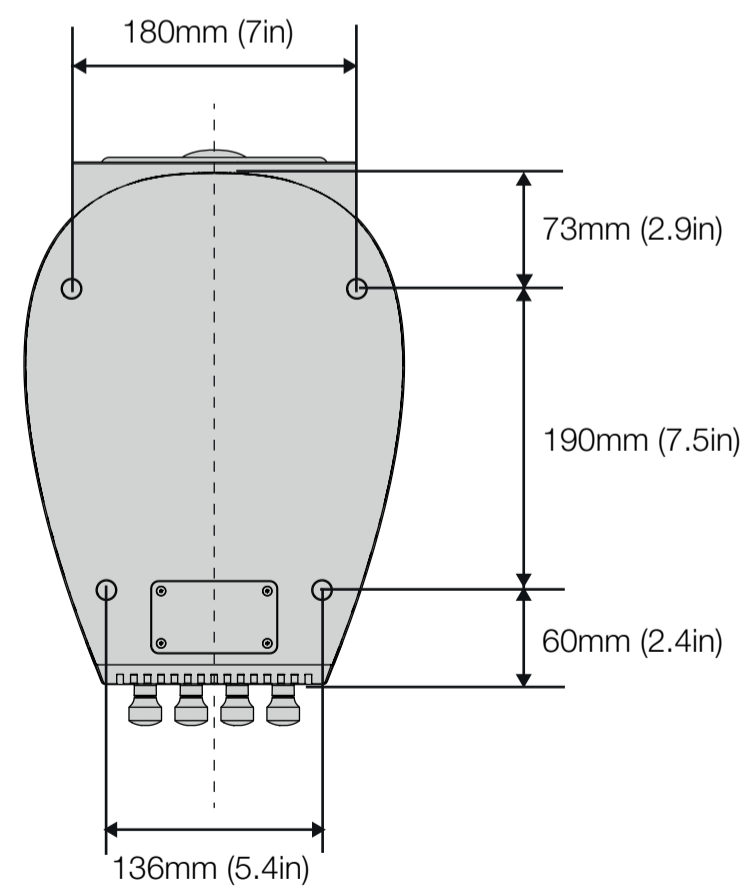
SIDE



BACK



TOP



BASE
FEET LOCATION

