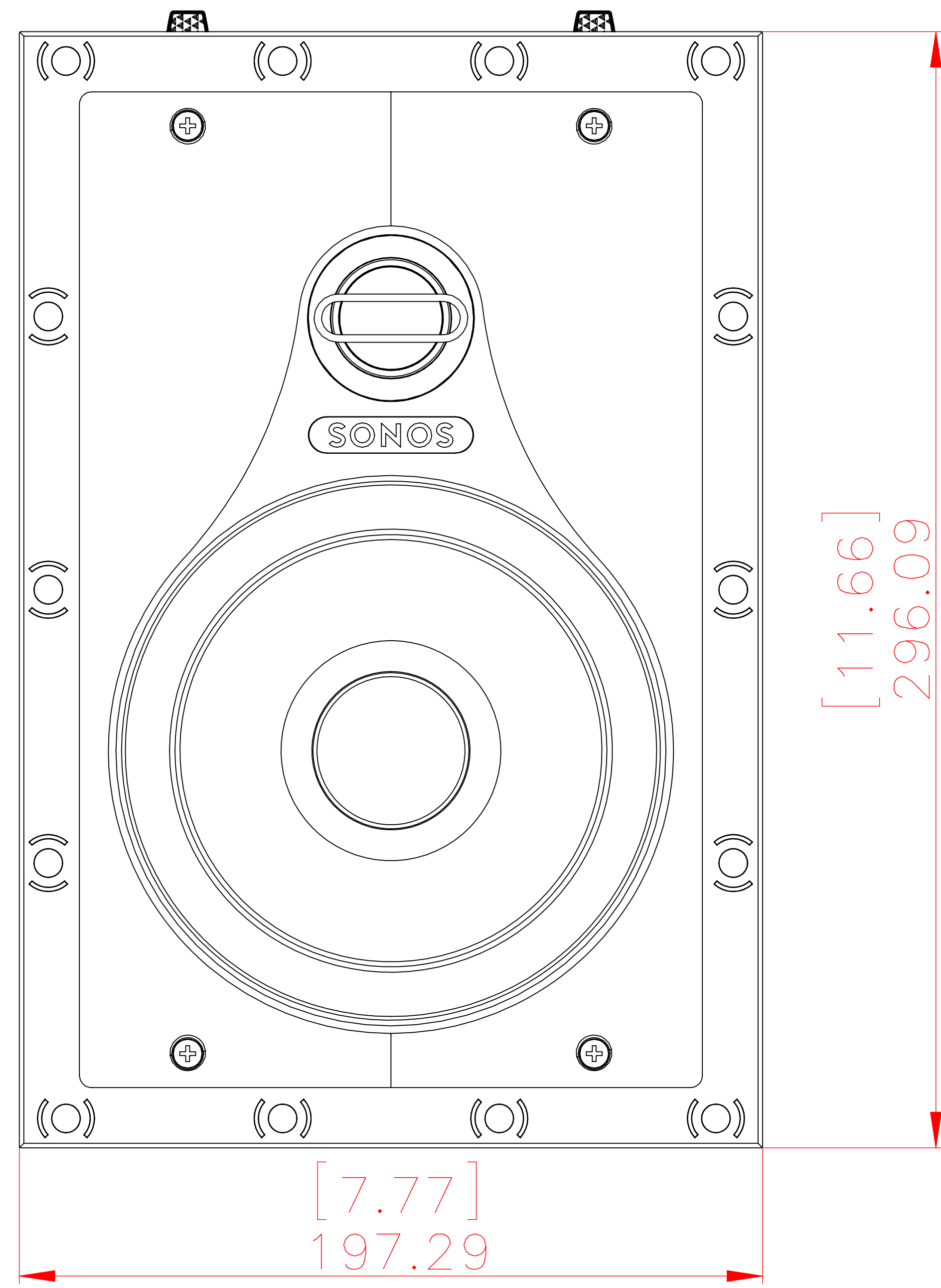
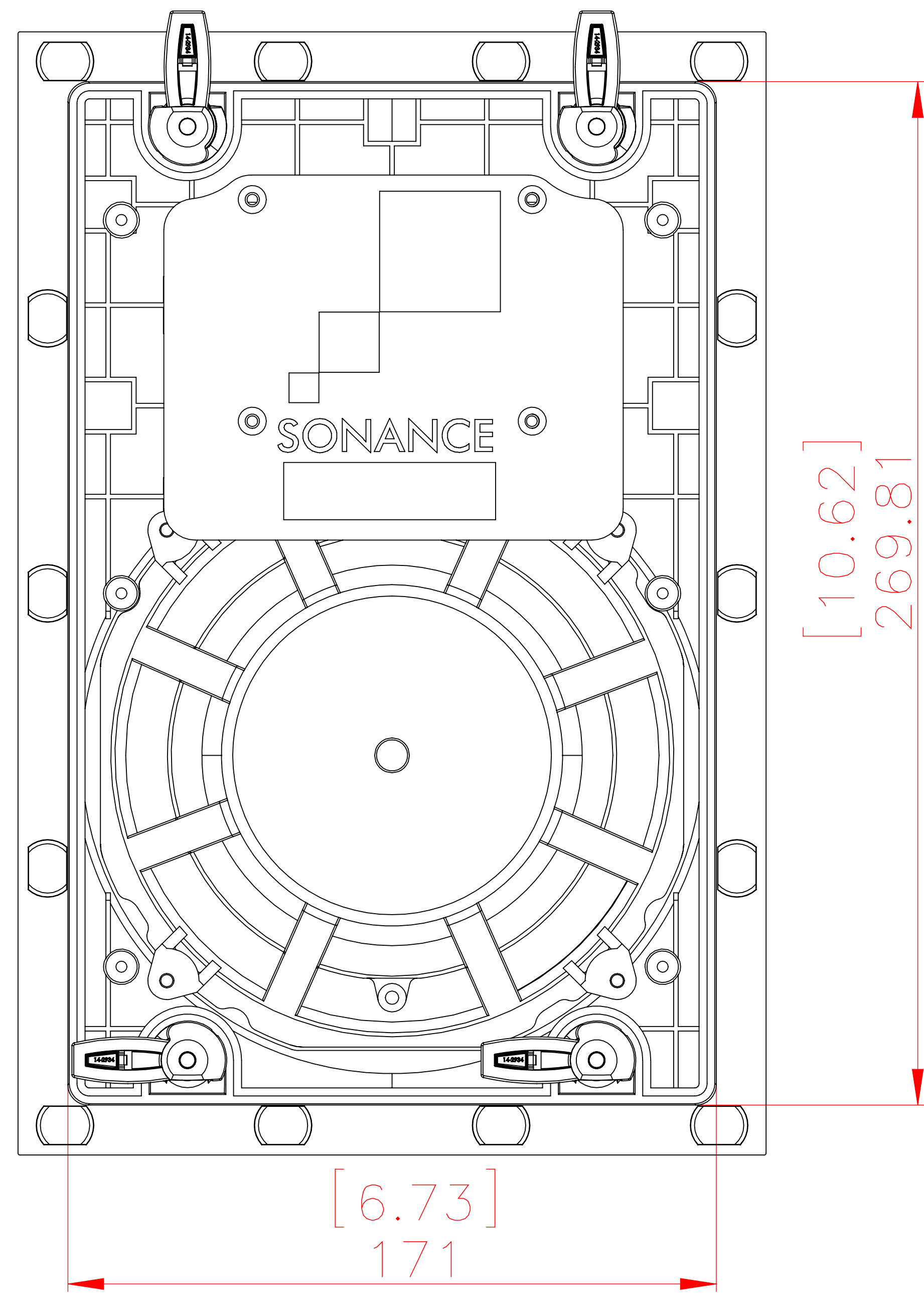


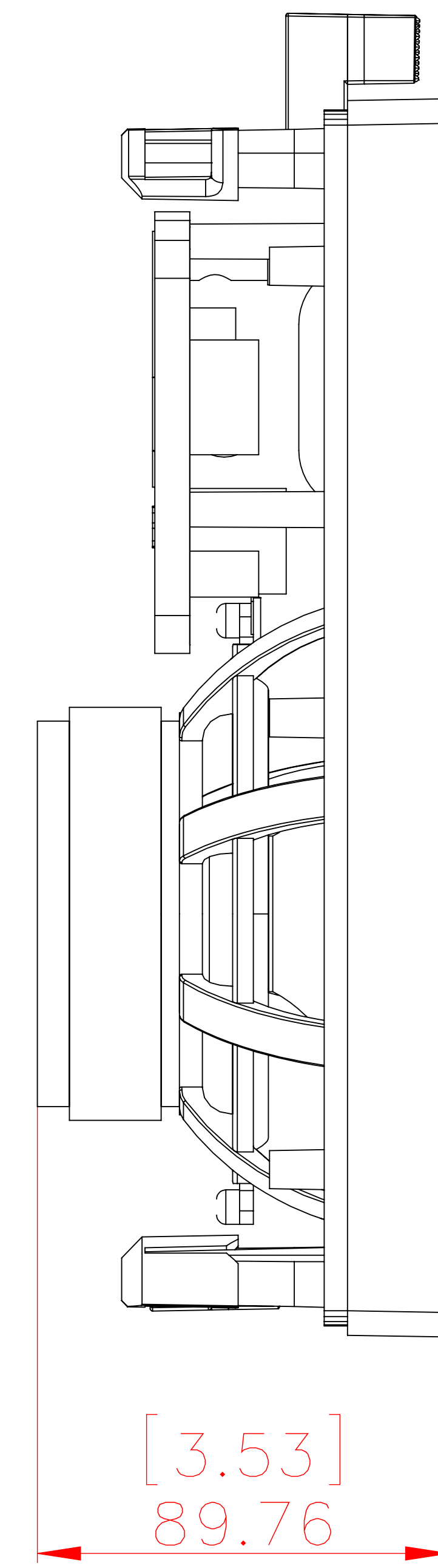
FRONT



BACK/MINIMUM CUTOUT



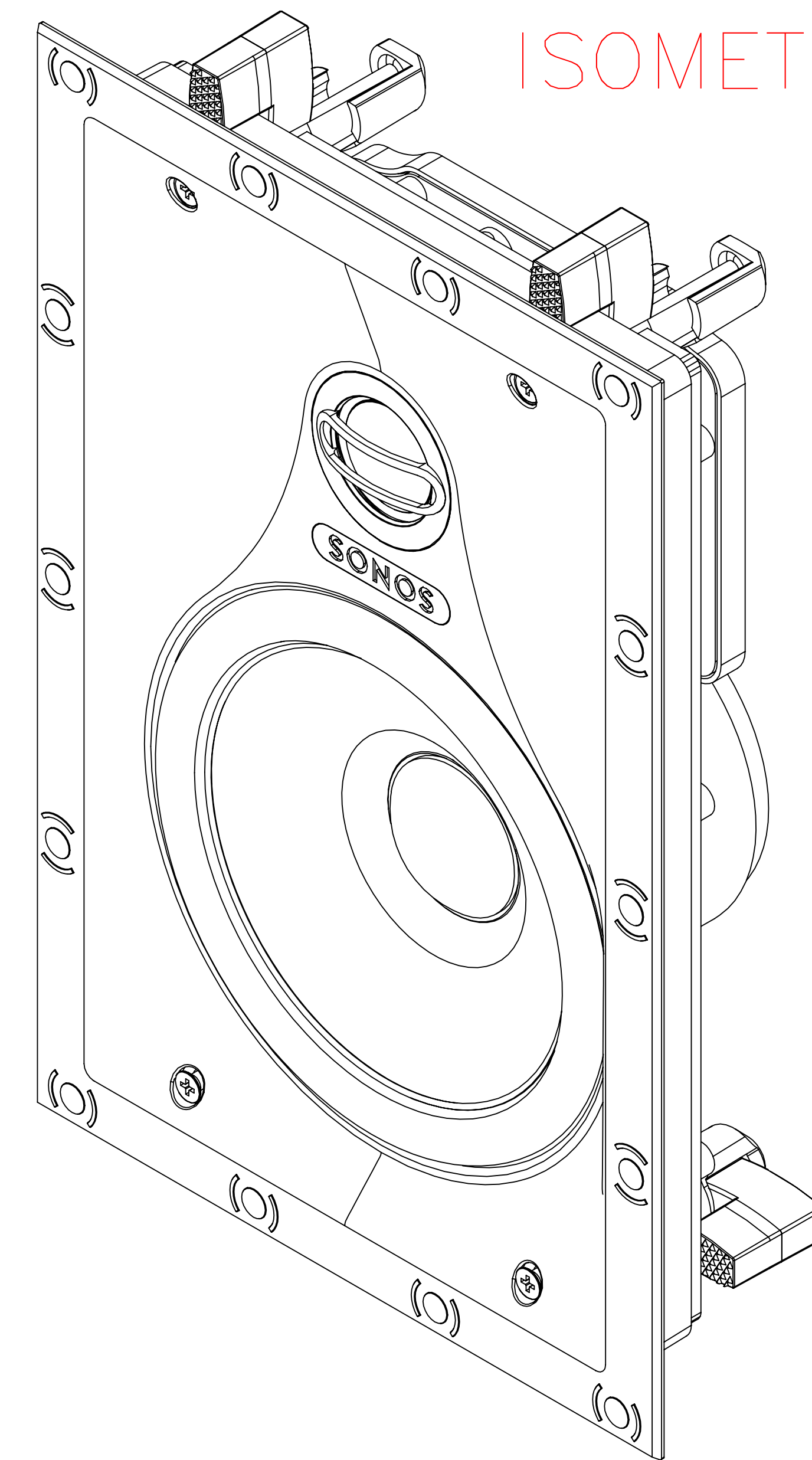
MOUNTING DEPTH



GRILLE



ISOMETRIC



SONANCE  
 991 Calle Amanecer, San Clemente, CA, 92673  
 58800 2-7777 949 492-7777 FAX 949 361-5579  
 www.sonance.com

SONDS-SONANCE INWALL SPEAKER

SCALE: 1 : 1

DRAWN BY:

DRWN - PART NUMBER

REV.

SHEET: 1 OF 1

RELEASED ON: